



US00D559059S

(12) **United States Design Patent**
Concari

(10) **Patent No.:** **US D559,059 S**
(45) **Date of Patent:** **** Jan. 8, 2008**

(54) **DRILL**
(75) Inventor: **Gabriel E. Concari**, Eldersburg, MD
(US)
(73) Assignee: **Black & Decker Inc.**, Newark, DE
(US)

D320,917 S 10/1991 Fushiya et al.
D326,598 S * 6/1992 Sakamoto et al. D8/68
D335,073 S 4/1993 Anthony et al.
D339,046 S 9/1993 Fushiya et al.
D340,394 S 10/1993 Okumura
D340,396 S 10/1993 Ichikawa
D342,430 S 12/1993 Saito et al.
D368,214 S 3/1996 Zurwelle

(**) Term: **14 Years**

(Continued)

(21) Appl. No.: **29/248,110**

FOREIGN PATENT DOCUMENTS

(22) Filed: **Jul. 28, 2006**

DE M 89 08 812 4/1991

(Continued)

Related U.S. Application Data

(60) Division of application No. 29/211,122, filed on Aug. 11, 2004, now Pat. No. Des. 534,403, which is a continuation-in-part of application No. 29/204,243, filed on Apr. 27, 2007, now Pat. No. Des. 500,653, which is a continuation of application No. 29/197,251, filed on Jan. 13, 2004, now Pat. No. Des. 497,786.

OTHER PUBLICATIONS

Craftsman drills, p. 43, Sears Craftsman and Hand Tools 1968 catalogue.*

(Continued)

(51) **LOC (8) Cl.** **08-01**
(52) **U.S. Cl.** **D8/68**
(58) **Field of Classification Search** D8/14.1,
D8/61-70; 81/57.11, 429, 454-456, 469,
81/489; 173/13, 104, 114, 168-171, 178,
173/201, 211, 213, 217; 408/20, 124, 125,
408/234, 241 R; 451/358; 310/50; 227/8,
227/113, 114, 120, 130, 136, 142
See application file for complete search history.

Primary Examiner—T. Chase Nelson
(74) *Attorney, Agent, or Firm*—Michael P. Leary; Charles E. Yocum; Adan Ayala

(57) **CLAIM**

The ornamental design for a drill, as shown and described.

DESCRIPTION

FIG. 1 is a right front perspective view of a drill showing my new design.

FIG. 2 is a front view thereof.

FIG. 3 is a rear view thereof.

FIG. 4 is a right side view thereof.

FIG. 5 is a left side view thereof.

FIG. 6 is a top view thereof; and,

FIG. 7 is a bottom view thereof.

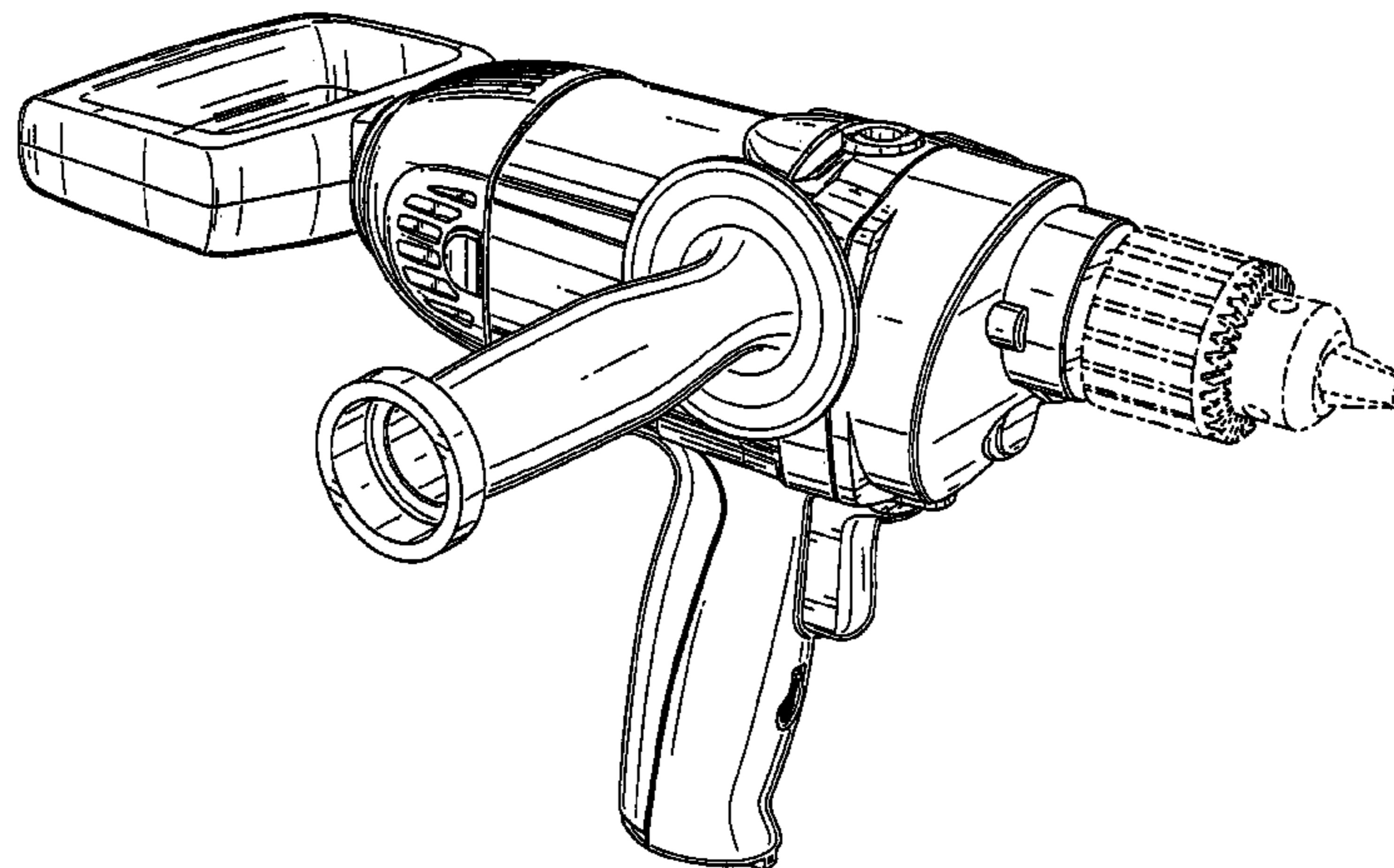
The broken lines and the areas within the broken lines form no part of the claimed ornamental design.

(56) **References Cited**

U.S. PATENT DOCUMENTS

835,936 A * 11/1906 Carnahan et al. 173/169
839,727 A * 12/1906 Carnahan 81/489
1,581,927 A * 4/1926 Kollock 310/50
D156,319 S 12/1949 Bushnell
D159,044 S 6/1950 Bushnell
D195,145 S * 4/1963 Ernest et al. D8/67
4,440,238 A * 4/1984 Sauerwein et al. 173/171
D295,714 S 5/1988 Sasaki et al.
D301,968 S 7/1989 Kmetz

1 Claim, 7 Drawing Sheets



US D559,059 S

U.S. PATENT DOCUMENTS

			DE	M 92 02 349	10/1992
			DE	M 92 07 189	2/1993
			DE	M 94 02 042	9/1993
			DE	M 94 09 106	11/1994
			DE	M 95 07 044	7/1996
			DE	M 96 03 012	9/1996
			DE	M 96 04 464	10/1996
			DE	M 96 02 972	12/1996
			DE	M 97 03 272	9/1997
			DE	498 07 545	1/1998
			DE	M 98 04 390	1/1999
			DE	400 03 528	10/1999
			DE	499 02 803	10/1999
			DE	400 05 042	11/1999
			DE	400 04 805	12/1999
			DE	400 06 861	1/2000
			DE	400 07 329	1/2000
			DE	400 07 330	1/2000
			DE	400 09 556	4/2000
			DE	499 11 374	5/2000
			DE	400 04 019	8/2000
			DE	400 03 708	9/2000
			DE	402 08 784	10/2000
			DE	401 05 815	11/2001
			DE	401 06 107	11/2001
			DE	401 05 613	12/2001
			DE	403 01 818	9/2002
			DE	403 02 379	9/2002
			DE	402 04 240	10/2002
			DE	402 09 433	3/2003
			DE	402 09 961	4/2003
			DE	000008479-0001	4/2003
			FR	000011929-0001	10/2002
			JP	000068598-0001	2/2003
			WO	DM/028 653	2/1994
			WO	DM 054 790	1/2001
			WO	DM/059857	5/2002

OTHER PUBLICATIONS

Spade handle drill DW130, p. 42 of the 2000 De Walt catalogue, submitted in parent application.*

* cited by examiner

FOREIGN PATENT DOCUMENTS

DE	M 91 07 310	4/1991
DE	M 91 04 263	1/1992

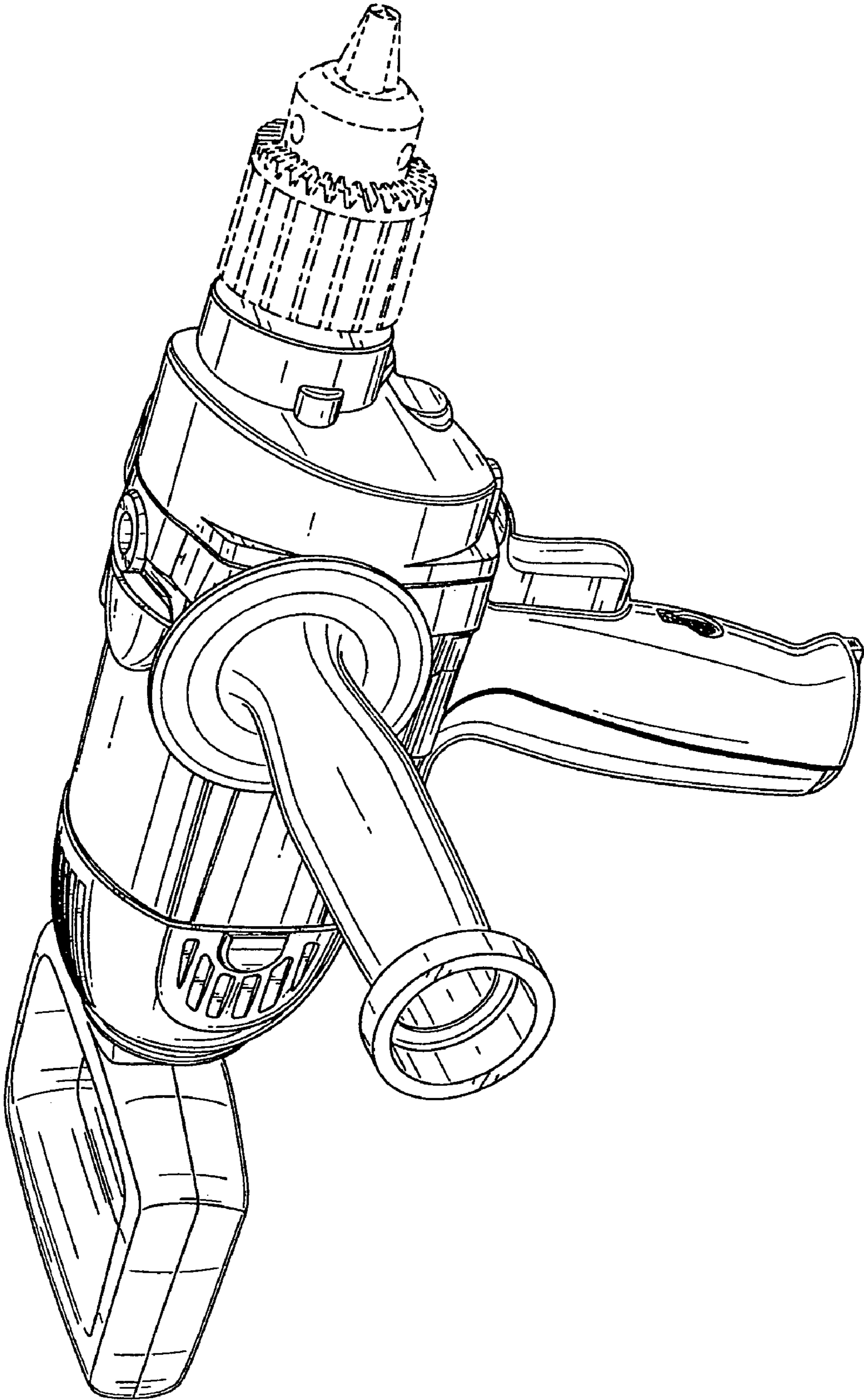


FIG. 1

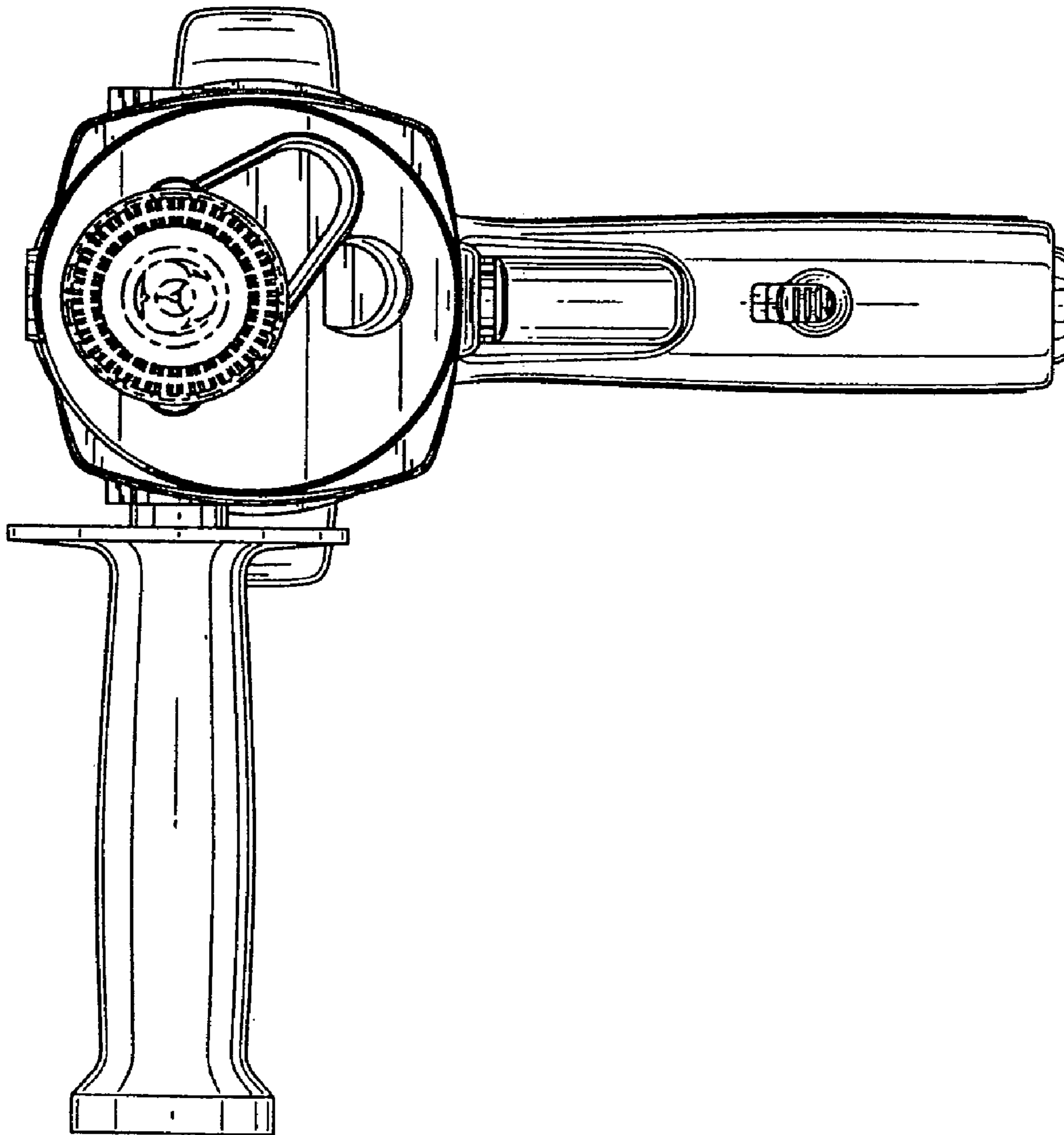


FIG. 2

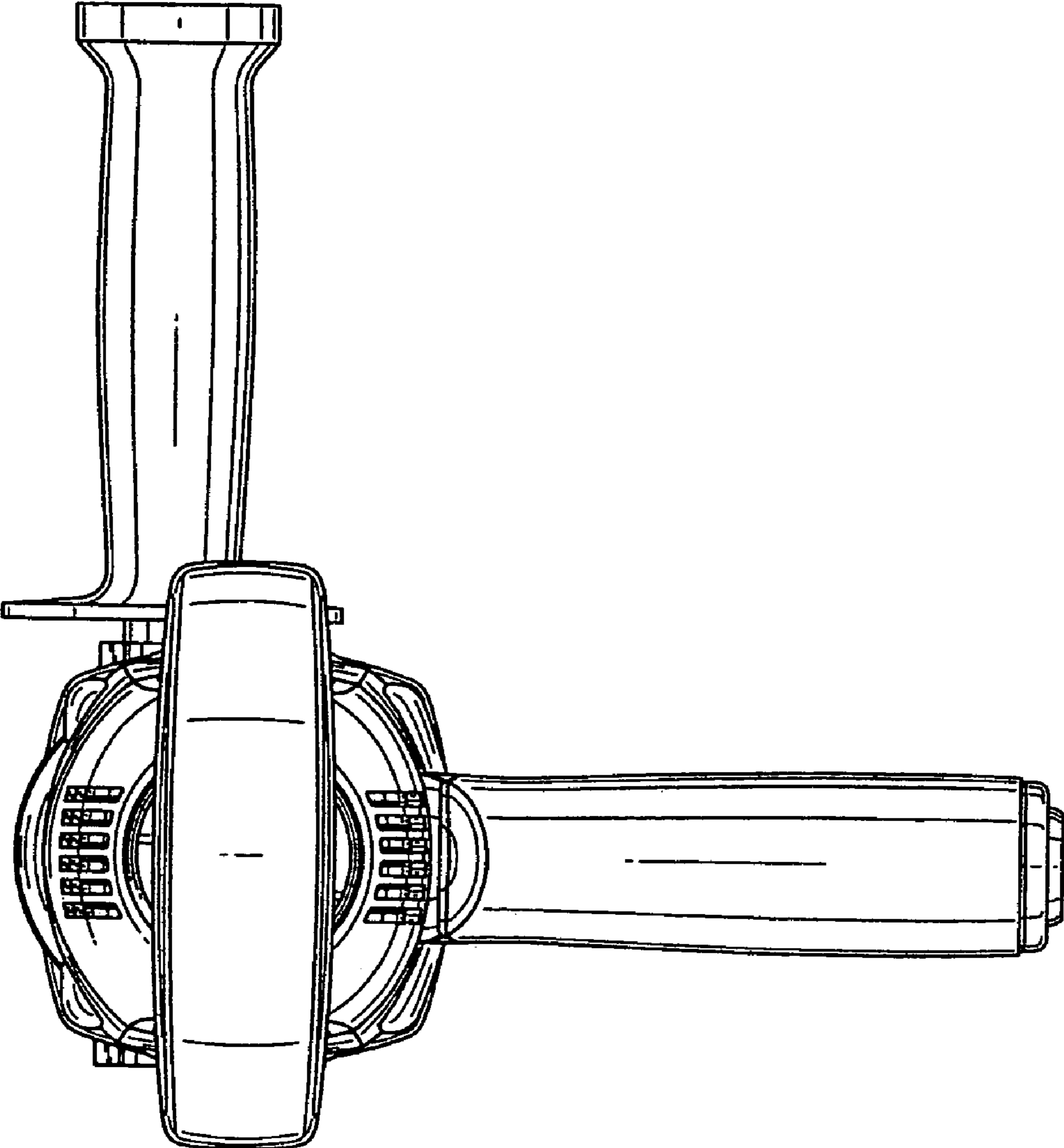


FIG. 3

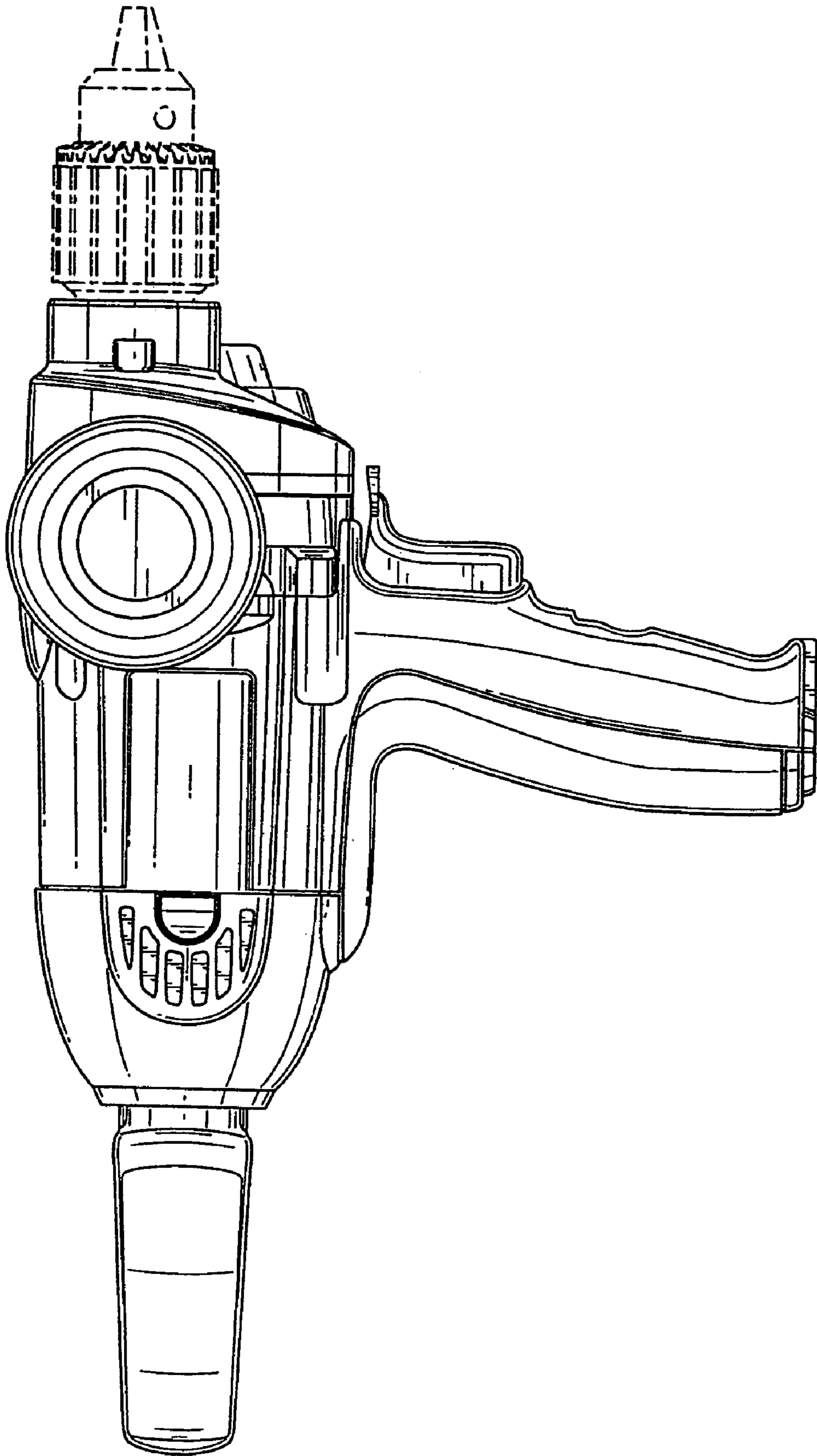


FIG. 4

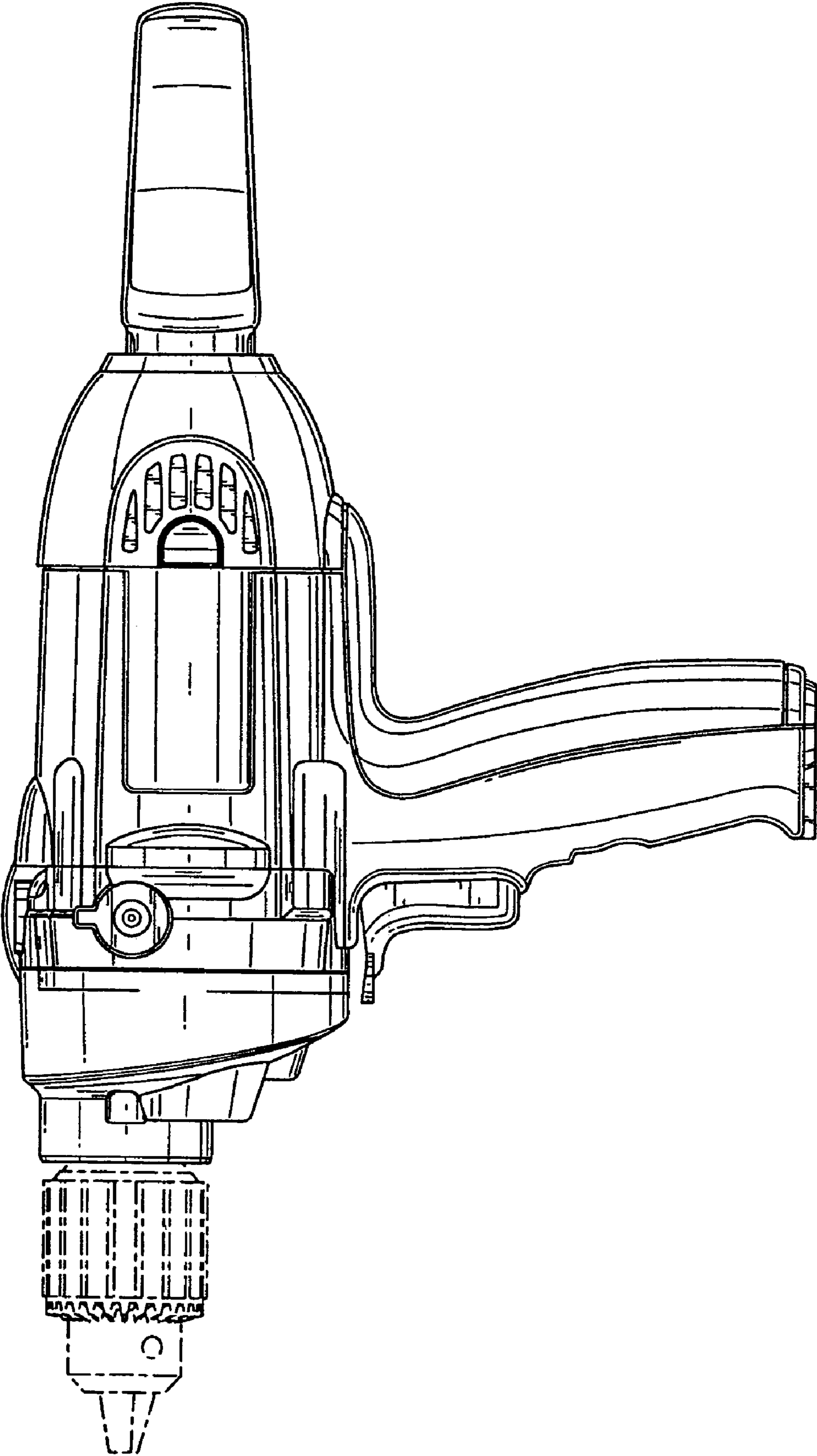


FIG. 5

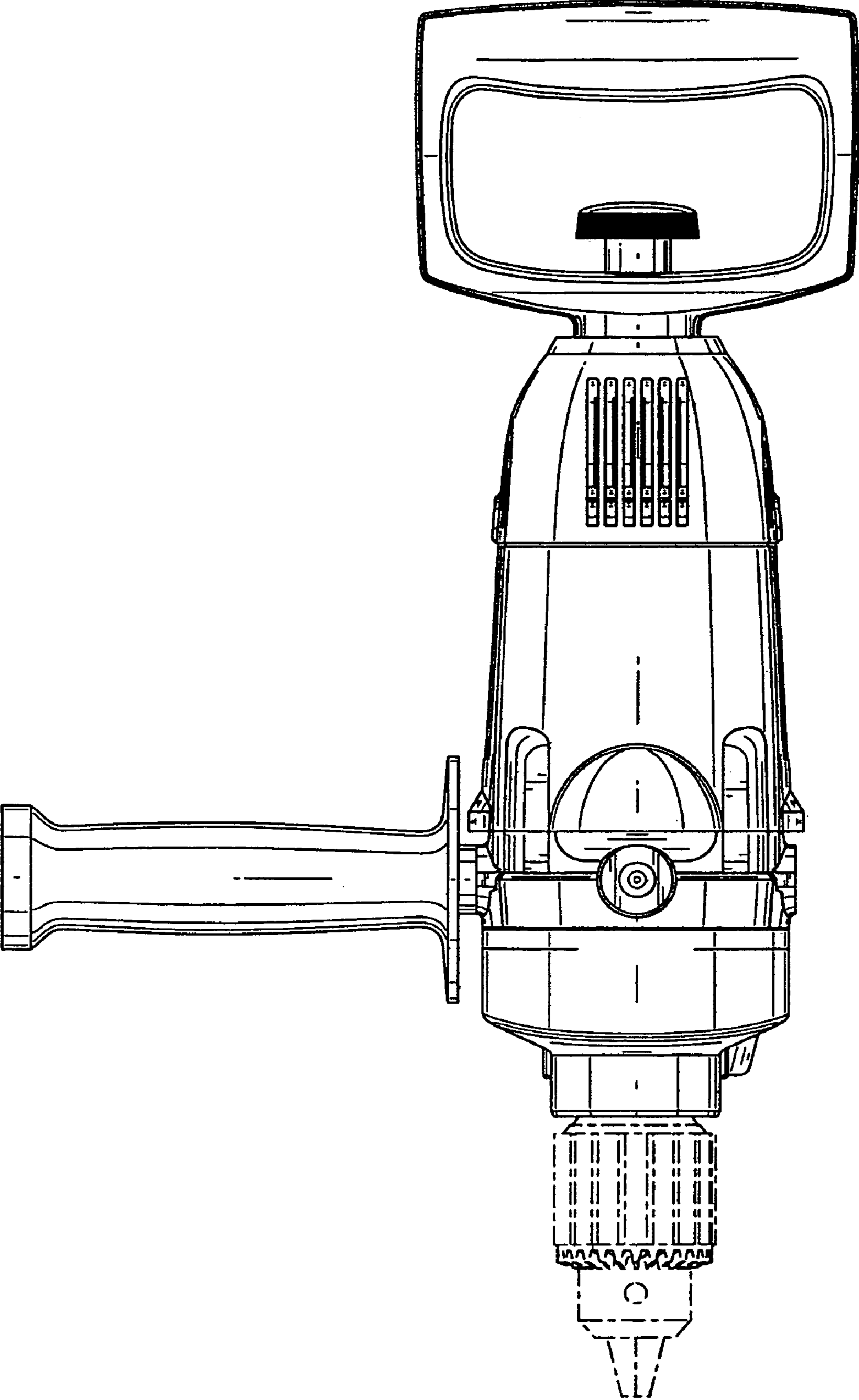


FIG. 6

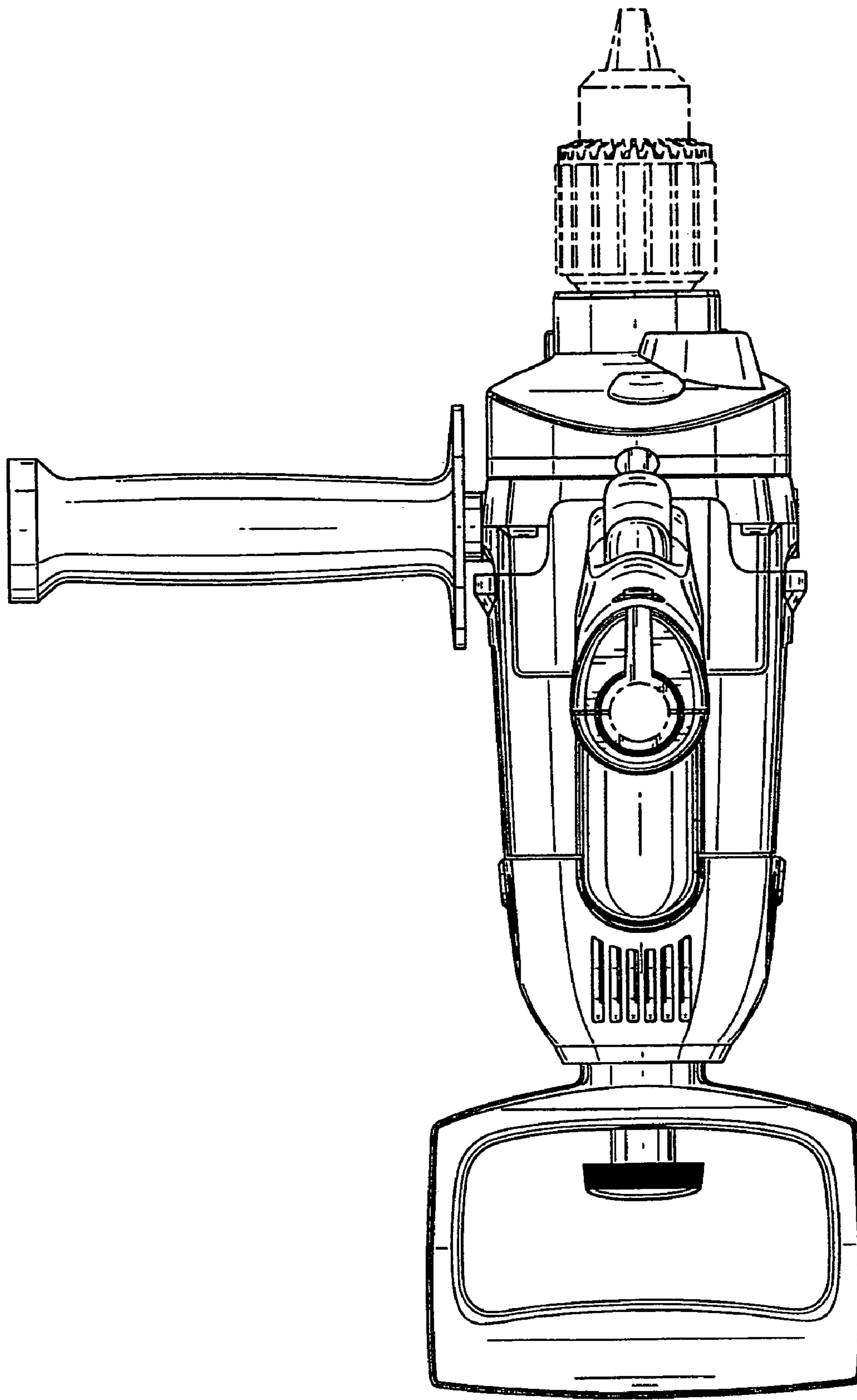


FIG. 7