



US00D559057S

(12) **United States Design Patent**  
**Pan**

(10) **Patent No.:** **US D559,057 S**

(45) **Date of Patent:** **\*\* Jan. 8, 2008**

(54) **BODY FOR AN AIR CUT-OFF TOOL**

6,561,063 B1 \* 5/2003 Mulford et al. .... 82/128  
D525,498 S \* 7/2006 Chen ..... D8/61

(76) Inventor: **Jim-Lieh Pan**, No. 86, Sec. 1, Hsinjen Rd., Taiping, Taichung Hsien (TW)

\* cited by examiner

(\*\*) Term: **14 Years**

*Primary Examiner*—Cathron C. Brooks

*Assistant Examiner*—Austin Murphy

(21) Appl. No.: **29/264,901**

(74) *Attorney, Agent, or Firm*—Birch, Stewart, Kolasch & Birch, LLP

(22) Filed: **Aug. 22, 2006**

(57) **CLAIM**

(51) **LOC (8) Cl.** ..... **08-03**

The ornamental design for a body for an air cut-off tool, as shown and described.

(52) **U.S. Cl.** ..... **D8/61**

(58) **Field of Classification Search** ..... D8/61,  
D8/62, 68, 83, 70, 107, 80; 81/57.11, 57.13,  
81/57.14, 57.26, 57.29, 57.39, 57.42, 63.1,  
81/429, 464, 467, 469, 470, 473; 173/168,  
173/169, 170, 176, 177, 178, 181, 216, 217;  
73/862.21; 310/50

See application file for complete search history.

**DESCRIPTION**

(56) **References Cited**

**U.S. PATENT DOCUMENTS**

5,332,098	A *	7/1994	Fisher	.....	206/576
D395,585	S *	6/1998	Andersson	.....	D8/62
5,856,396	A *	1/1999	Vipperman	.....	524/425
5,941,764	A *	8/1999	Yang	.....	451/358
6,186,879	B1 *	2/2001	Ericsson	.....	451/358
D439,819	S *	4/2001	Bass et al.	.....	D8/70
D456,231	S *	4/2002	Chen	.....	D8/61
D456,683	S *	5/2002	Chen	.....	D8/61
D468,605	S *	1/2003	Morgan	.....	D8/61

FIG. 1 is a perspective view of a body for an air cut-off tool, showing my new design;

FIG. 2 is a front view thereof;

FIG. 3 is a rear view thereof;

FIG. 4 is a left view thereof;

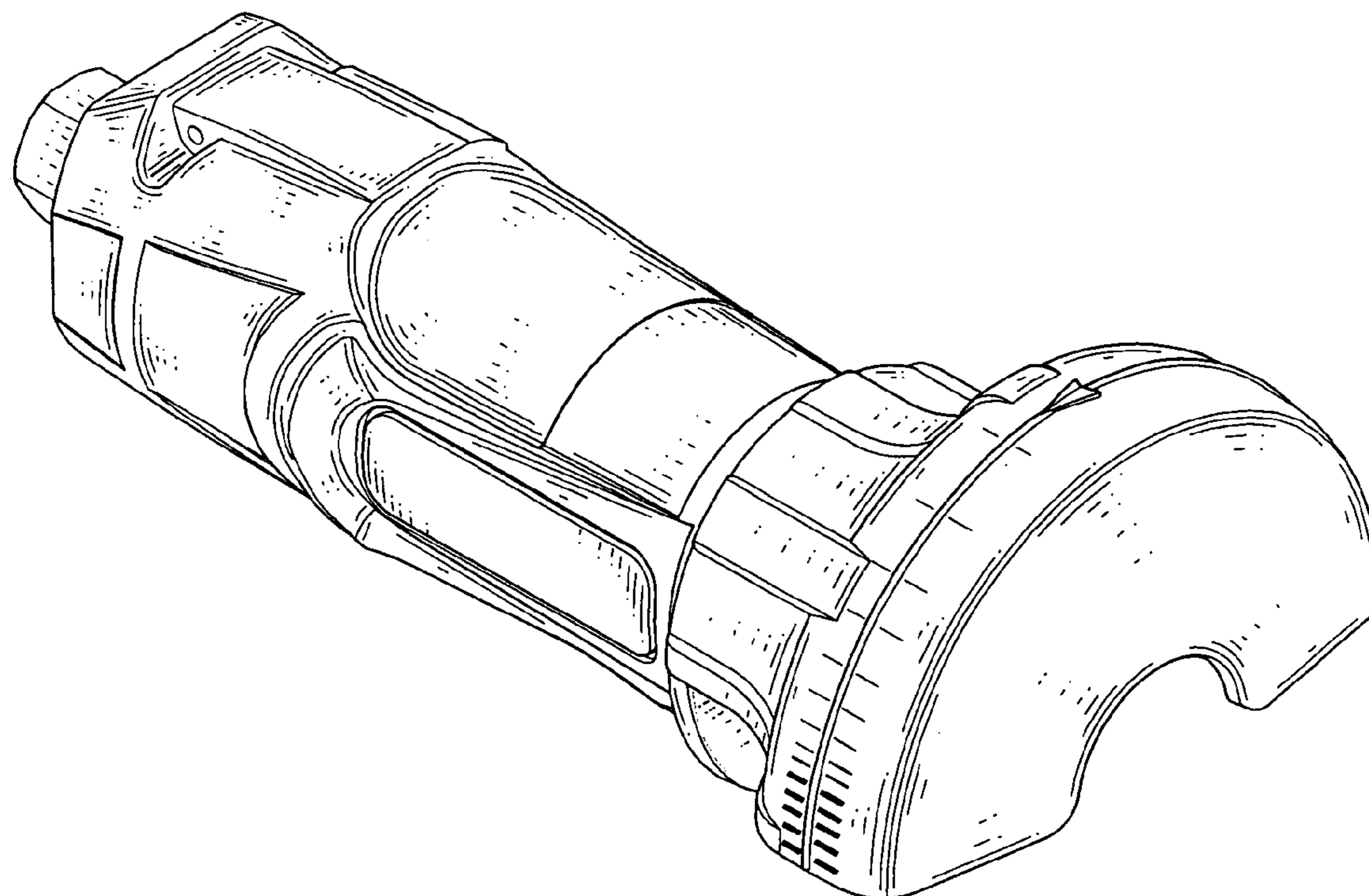
FIG. 5 is a right view thereof;

FIG. 6 is top view thereof;

FIG. 7 is a bottom view thereof; and,

FIG. 8 is an operational perspective view showing the claimed design in FIG. 1, wherein the broken lines are shown for illustrative purpose only and form no part of the claimed design.

**1 Claim, 7 Drawing Sheets**



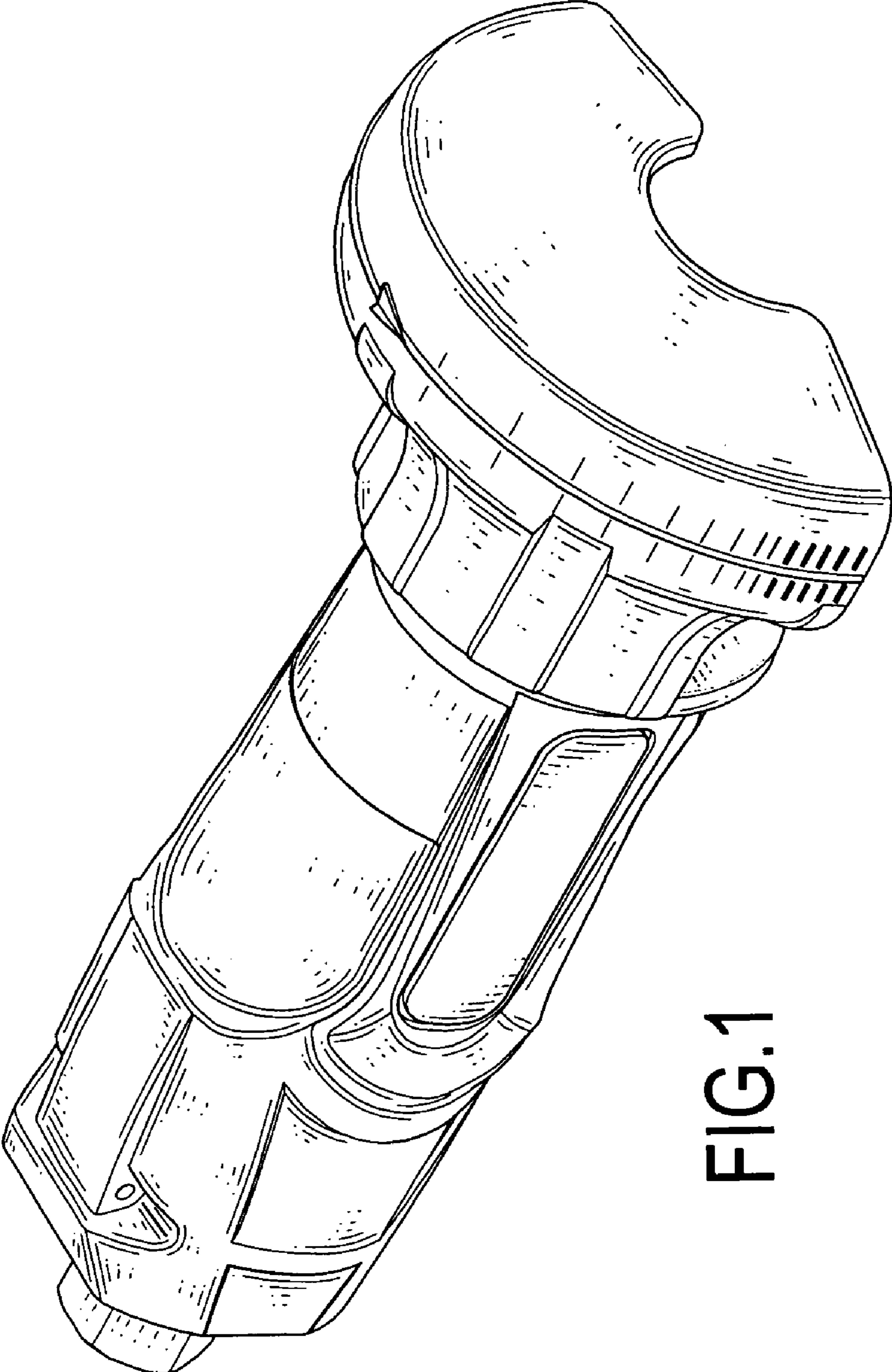


FIG.1

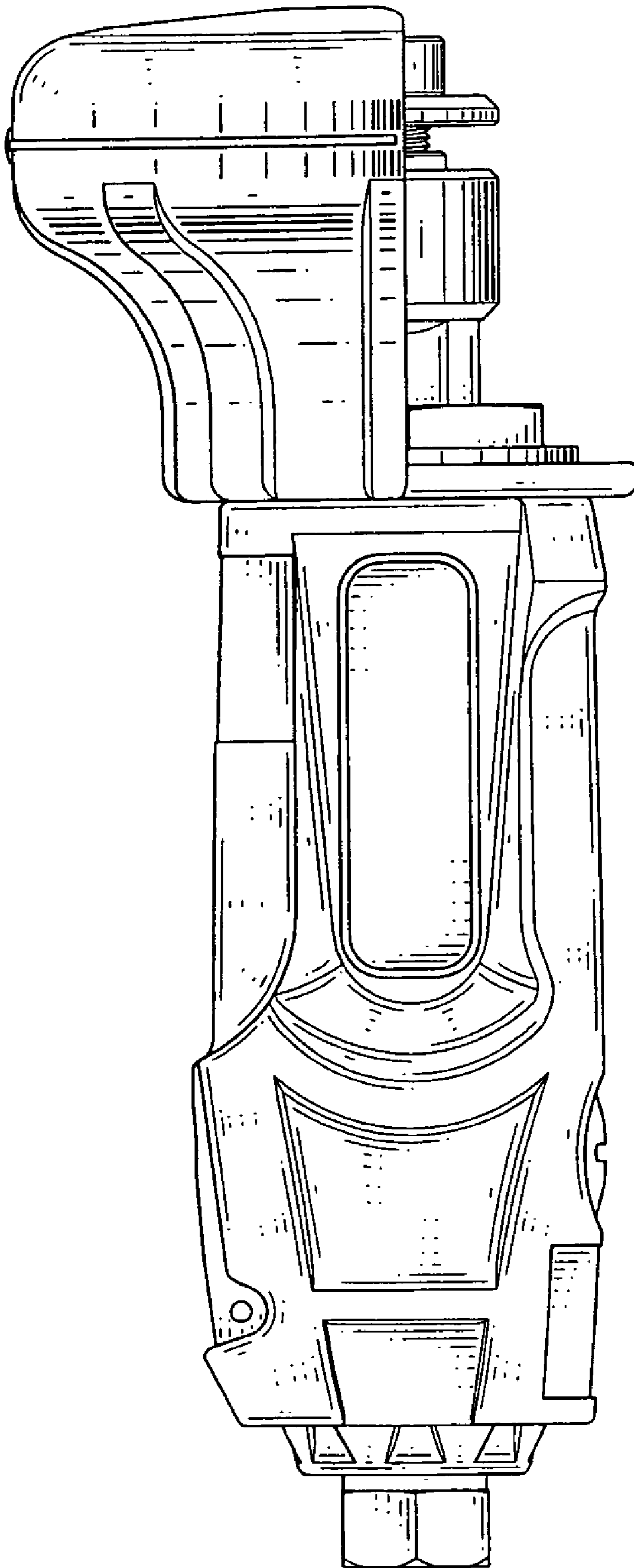


FIG.2

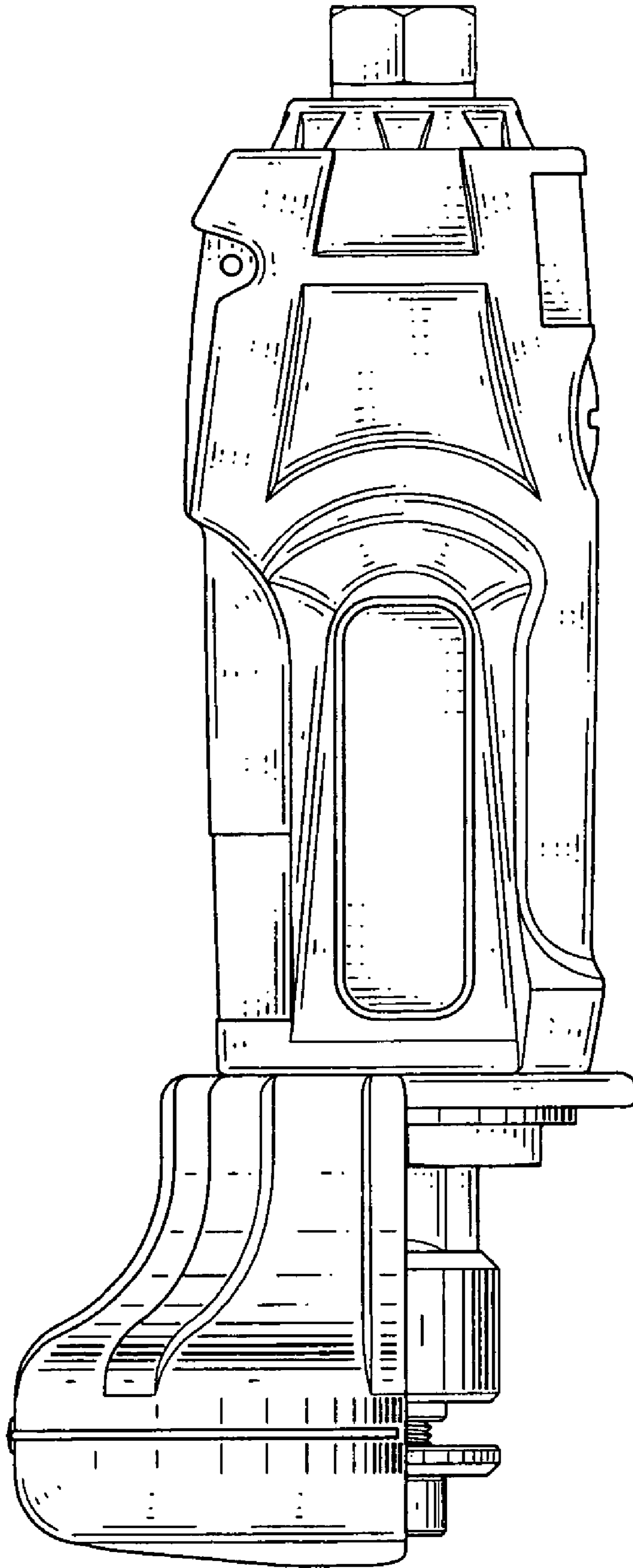


FIG.3



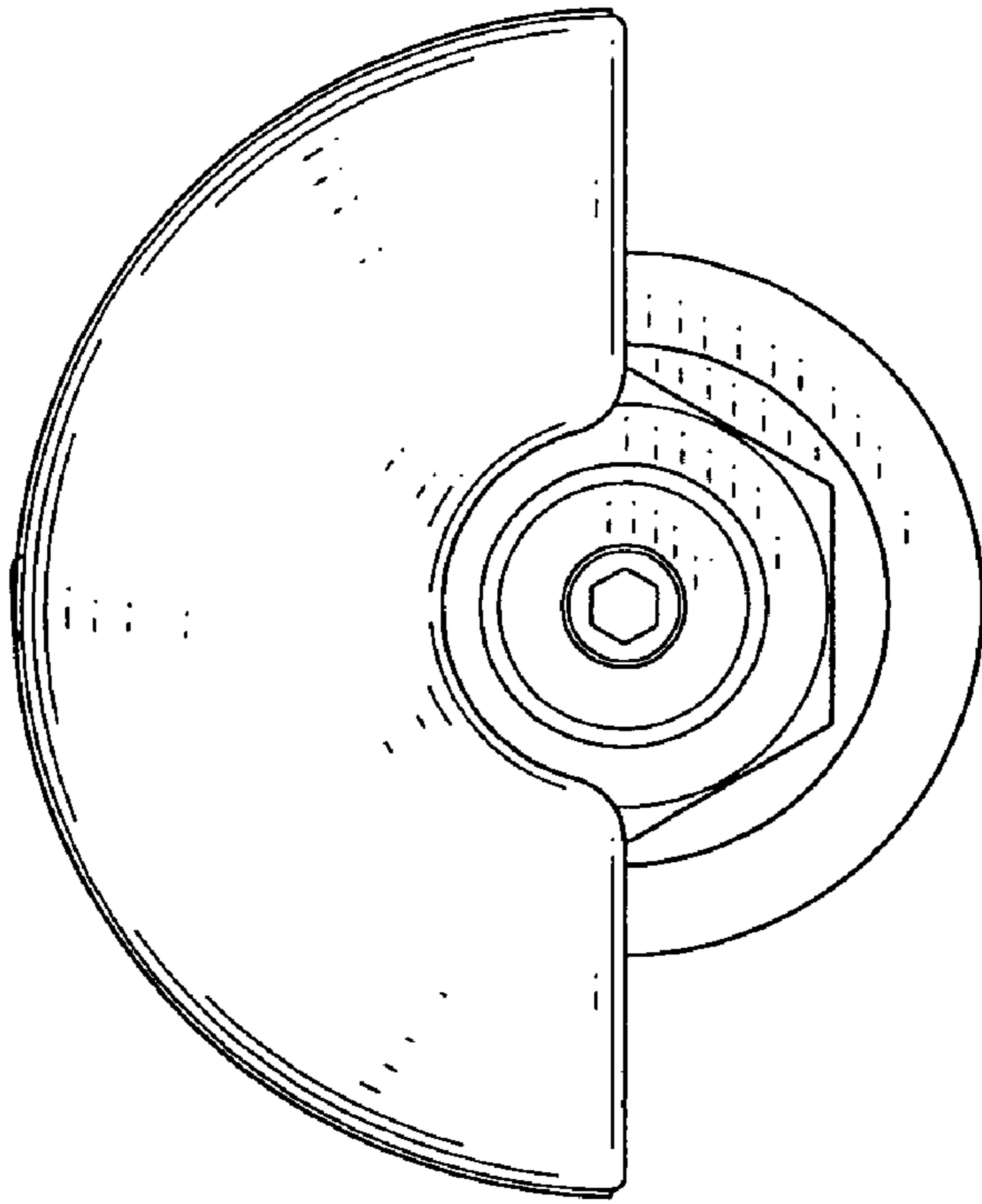


FIG.5

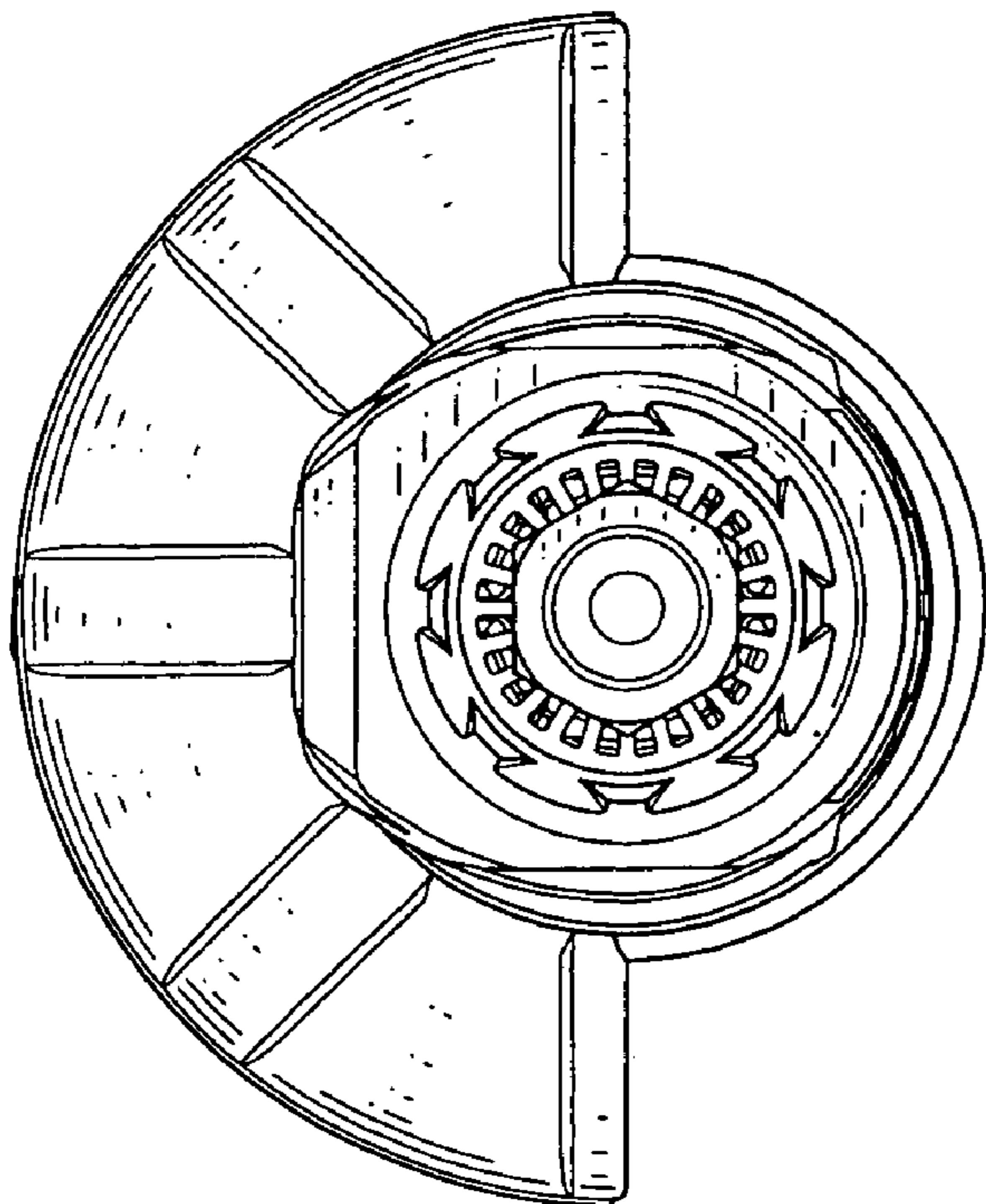


FIG.4

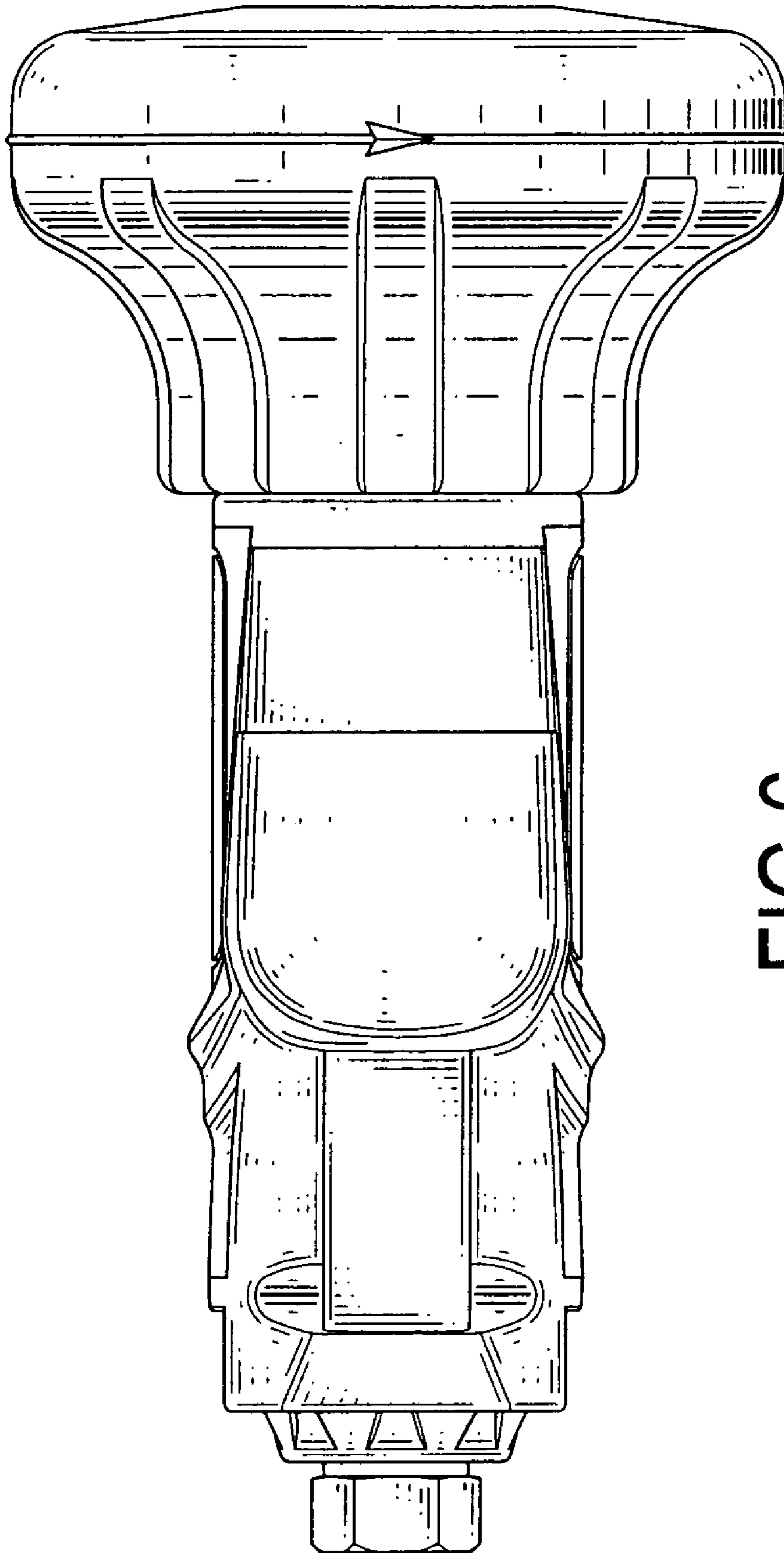


FIG. 6

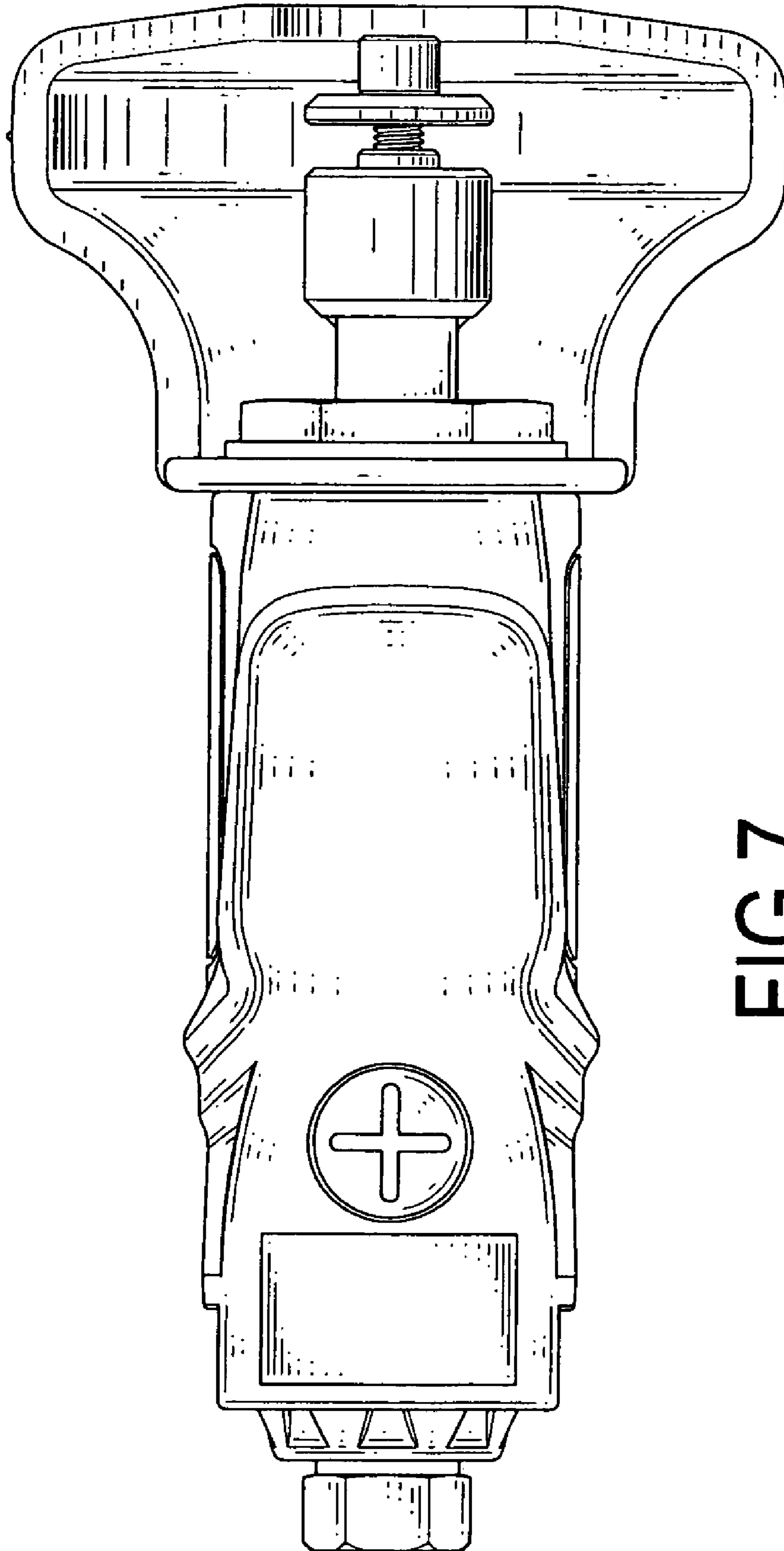


FIG. 7

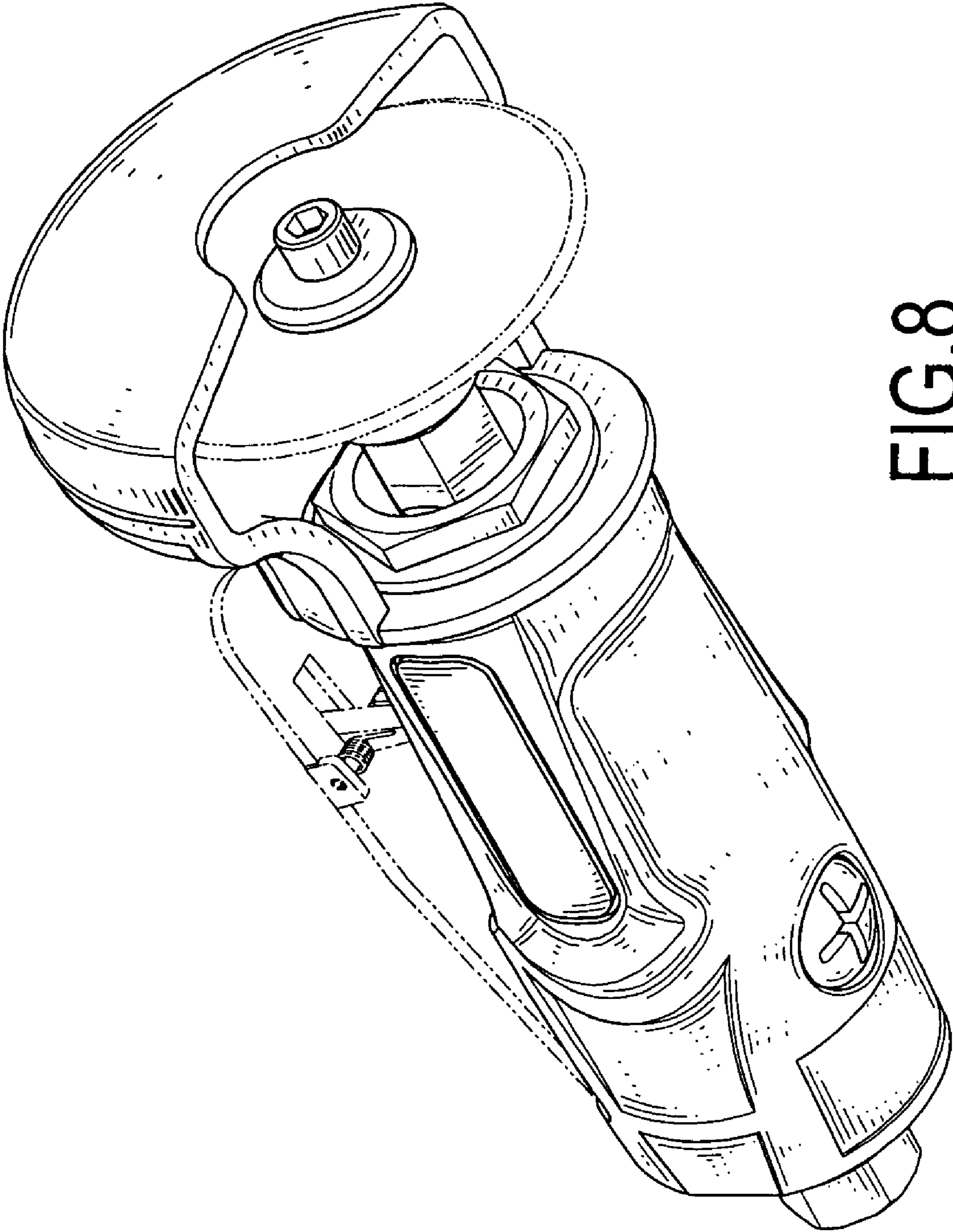


FIG.8