



US00D559053S

(12) **United States Design Patent**  
**Tsuda**

(10) **Patent No.:** **US D559,053 S**

(45) **Date of Patent:** **\*\* Jan. 8, 2008**

(54) **TOOL FOR INSTALLING A WALL INSULATION PIECE**

(75) Inventor: **Norio Tsuda**, Higashiosaka (JP)

(73) Assignee: **Kubota Matsushitadenko Exterior Works, Ltd.**, Osaka (JP)

(\*\*) Term: **14 Years**

(21) Appl. No.: **29/243,709**

(22) Filed: **Nov. 30, 2005**

(30) **Foreign Application Priority Data**

May 30, 2005 (JP) ..... 2005-015528

(51) **LOC (8) Cl.** ..... **08-05**

(52) **U.S. Cl.** ..... **D8/14; D8/382**

(58) **Field of Classification Search** ..... D8/382,  
D8/14; D25/120-122, 133, 119; 52/204.1,  
52/204.5, 716.1, 730.3-730.4, 777, 778;  
248/254

See application file for complete search history.

(56) **References Cited**

**U.S. PATENT DOCUMENTS**

3,043,408	A *	7/1962	Attwood	.....	52/729.5
D246,889	S *	1/1978	Eckerline	.....	D8/382
D293,718	S *	1/1988	Poma	.....	D25/122
4,825,529	A *	5/1989	Sawada et al.	.....	29/897.3
D316,453	S *	4/1991	Westphal et al.	.....	D25/122
D317,513	S *	6/1991	Miller et al.	.....	D26/140
D331,809	S *	12/1992	Tanikawa	.....	D25/120
D342,579	S *	12/1993	Mason	.....	D25/119
D347,071	S *	5/1994	Tanikawa	.....	D25/119
D401,357	S *	11/1998	Rinot et al.	.....	D25/122
D417,607	S *	12/1999	Vining	.....	D8/373
D425,215	S *	5/2000	Ginzel	.....	D25/119
D427,327	S *	6/2000	Bevan et al.	.....	D25/121
D429,823	S *	8/2000	Silverman	.....	D25/119
6,341,458	B1 *	1/2002	Burt	.....	52/287.1
D471,793	S *	3/2003	Wall	.....	D8/382
D481,619	S *	11/2003	Hightower	.....	D8/382

D482,603	S *	11/2003	Brass et al.	.....	D8/382
D482,803	S *	11/2003	Yates, Jr.	.....	D25/121
D505,734	S *	5/2005	Rintamaki	.....	D25/121
D507,665	S *	7/2005	Ryan et al.	.....	D25/119
D521,364	S *	5/2006	Wall	.....	D8/382
D527,249	S *	8/2006	Heindl et al.	.....	D8/382
D527,834	S *	9/2006	Thimons et al.	.....	D25/119
D530,190	S *	10/2006	Wall	.....	D8/382
D534,004	S *	12/2006	Waniga	.....	D6/300
D537,961	S *	3/2007	Chaput	.....	D25/119
D539,440	S *	3/2007	Collishaw	.....	D25/119

**OTHER PUBLICATIONS**

U.S. Appl. No. 29/253,279 to Tsuda, filed Feb. 3, 2006.

\* cited by examiner

*Primary Examiner*—Holly H. Baynham

*Assistant Examiner*—Sheryl Friedman

(74) *Attorney, Agent, or Firm*—Greenblum & Bernstein, P.L.C.

(57) **CLAIM**

The ornamental design for a tool for installing a wall insulation piece, as shown and described.

**DESCRIPTION**

FIG. 1 is a perspective view of the tool;

FIG. 2 is a front view of the tool;

FIG. 3 is a left-hand side view of the tool;

FIG. 4 is a right-hand side view of the tool;

FIG. 5 is a plan view of the tool;

FIG. 6 is a bottom plan view of the tool;

FIG. 7 is a rear view of the tool; and,

FIG. 8 is an explanatory view illustrating the use of the article.

The broken line showing of structure is included for the purpose of illustrating environment and forms no part of the claimed design.

**1 Claim, 3 Drawing Sheets**

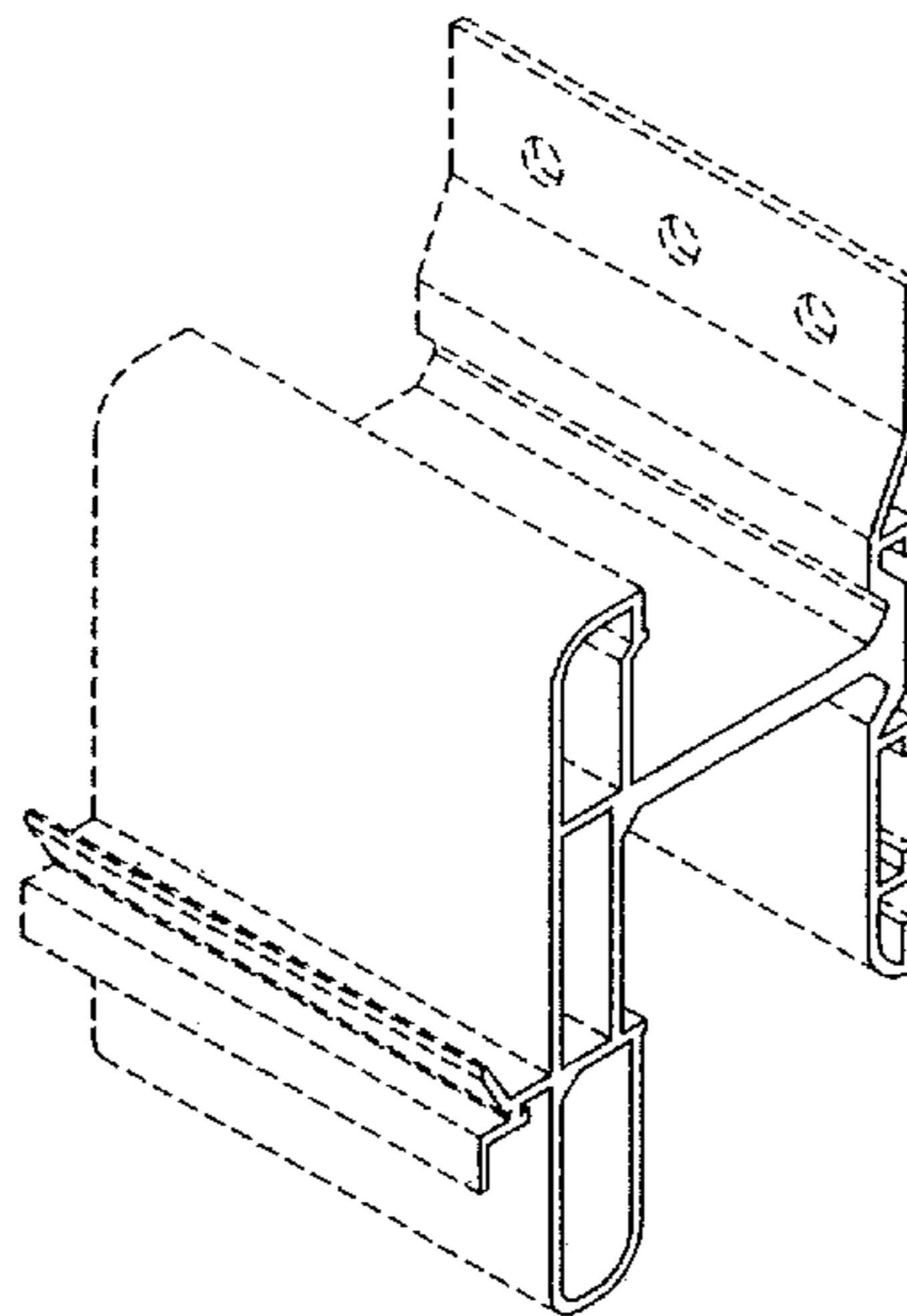


FIG. 1

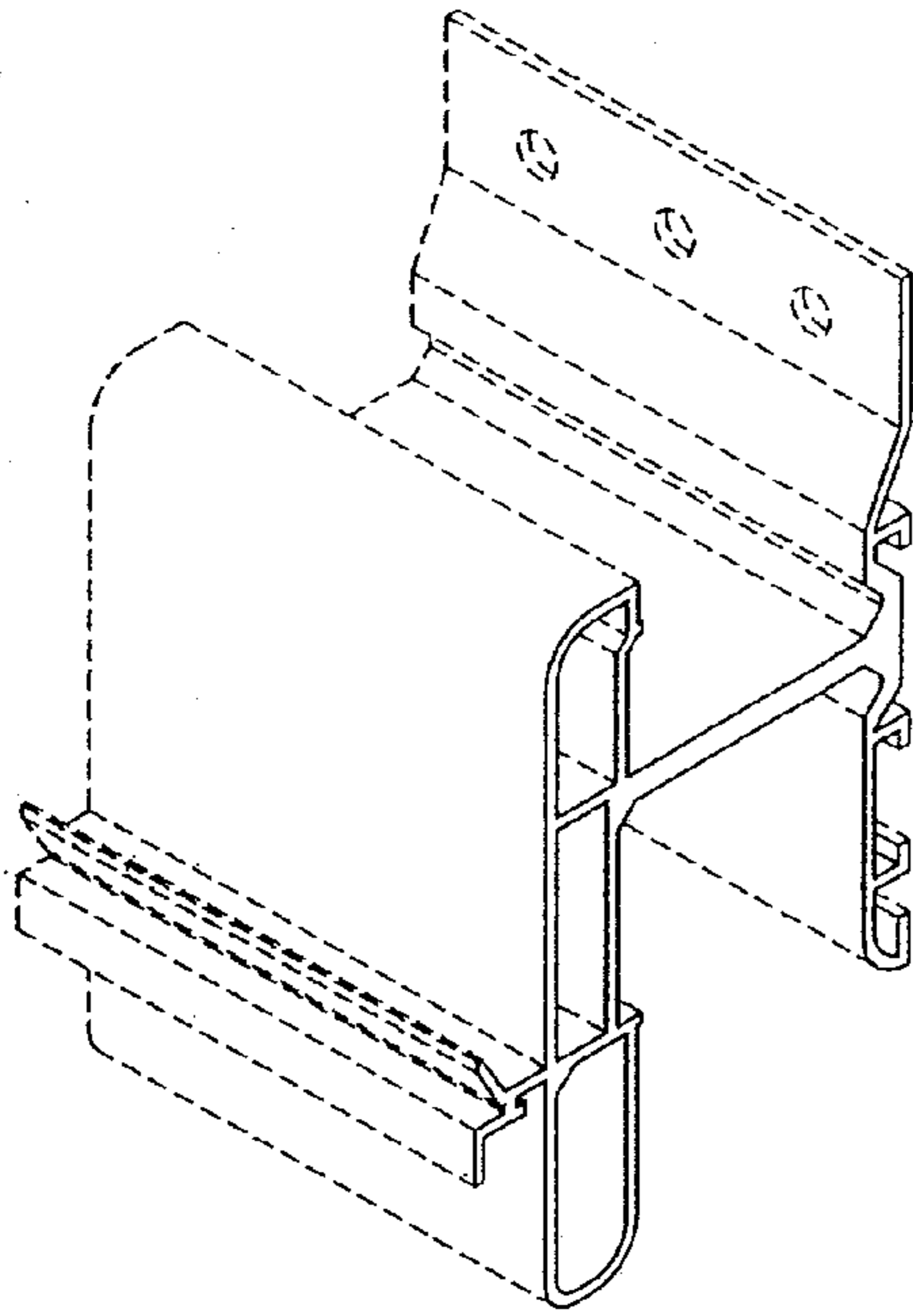


FIG. 2

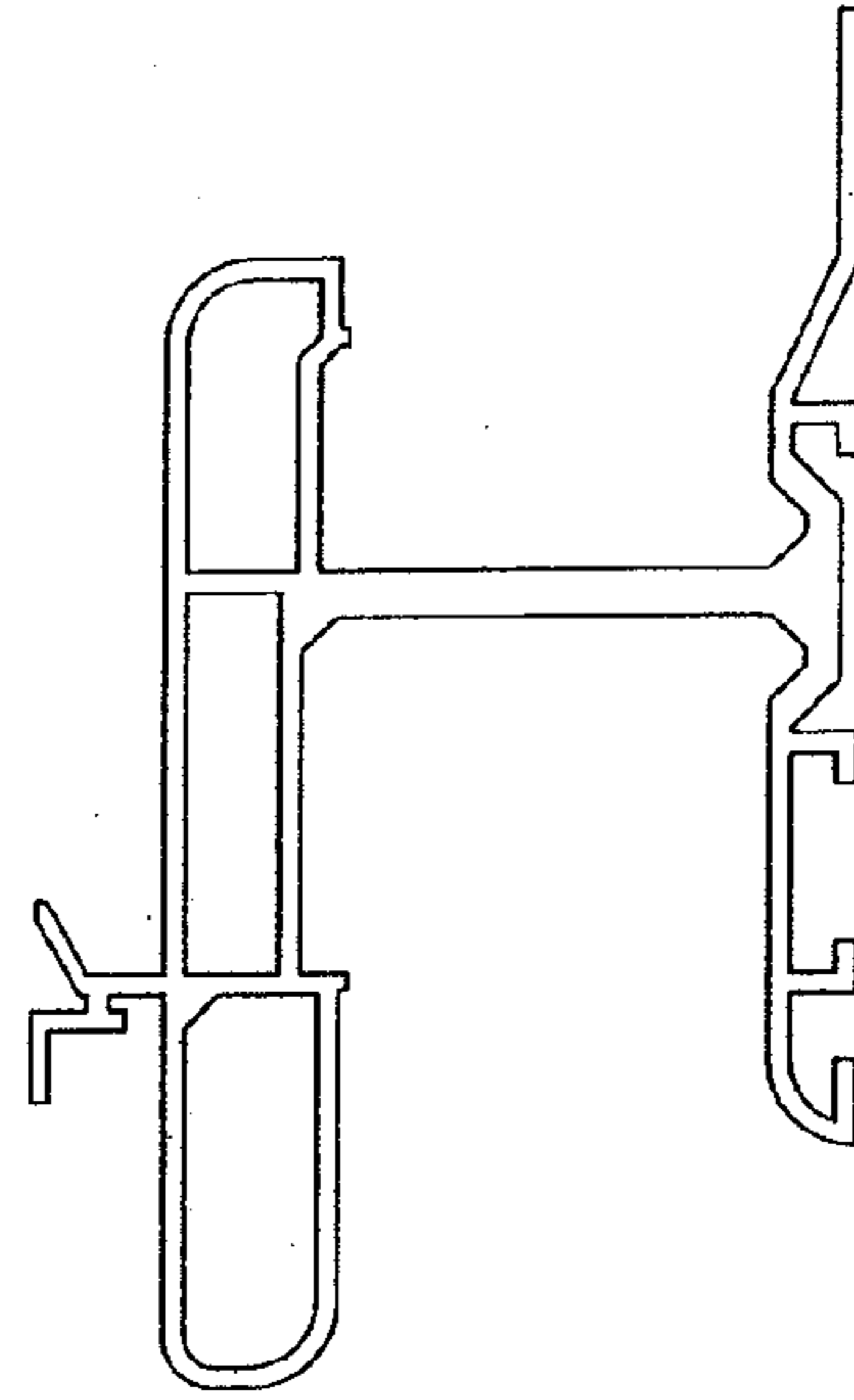


FIG. 3

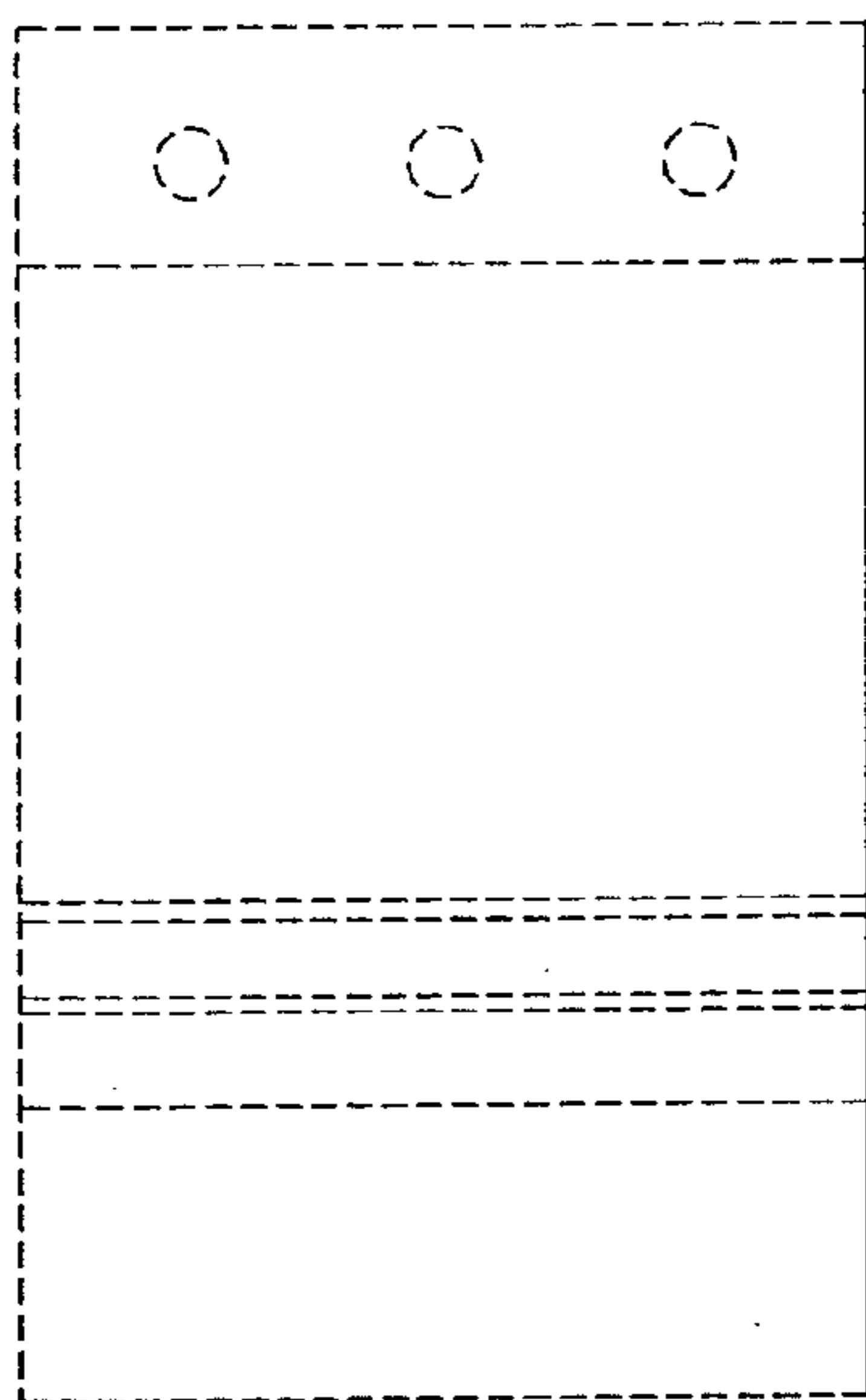


FIG. 4

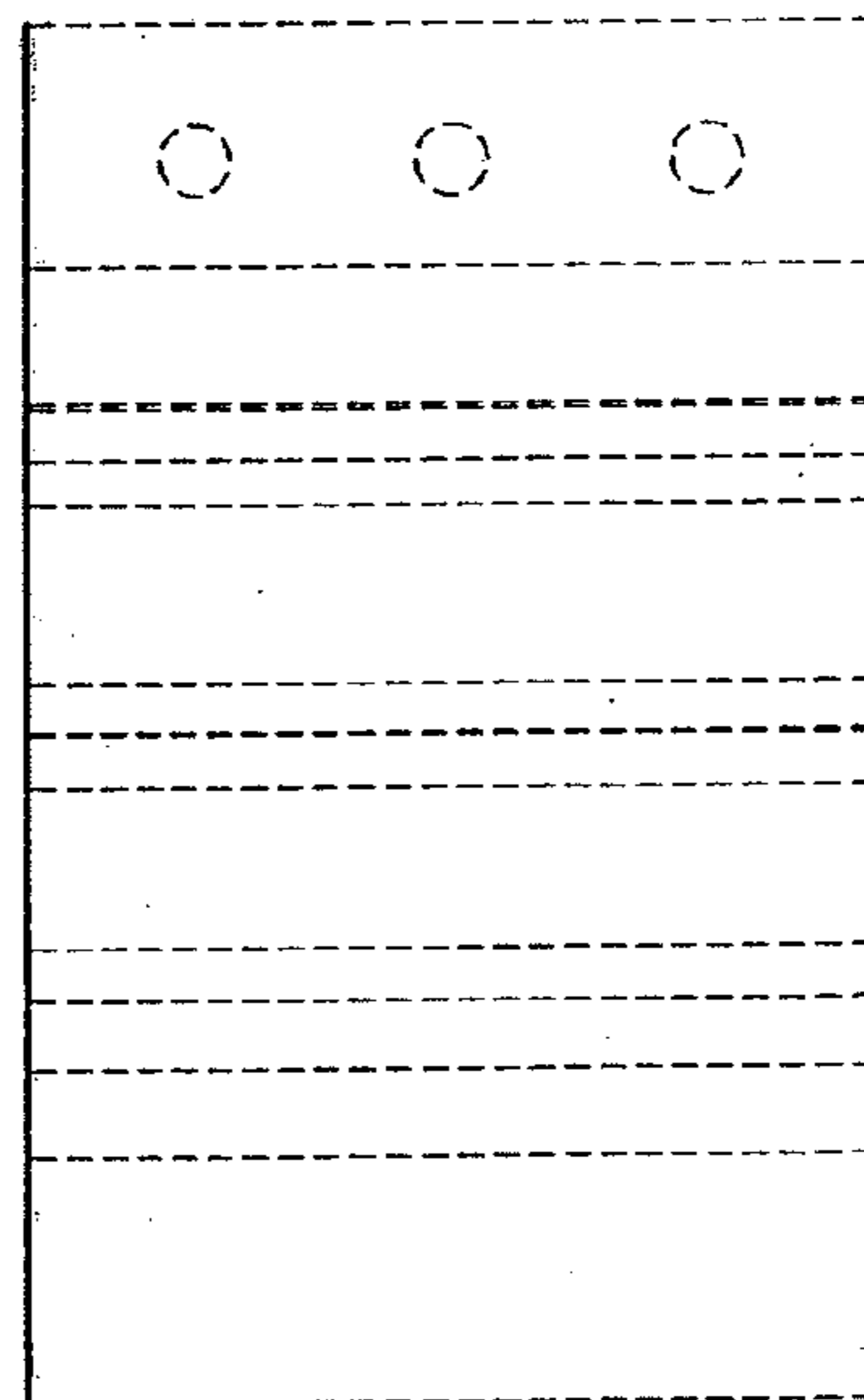


FIG. 5

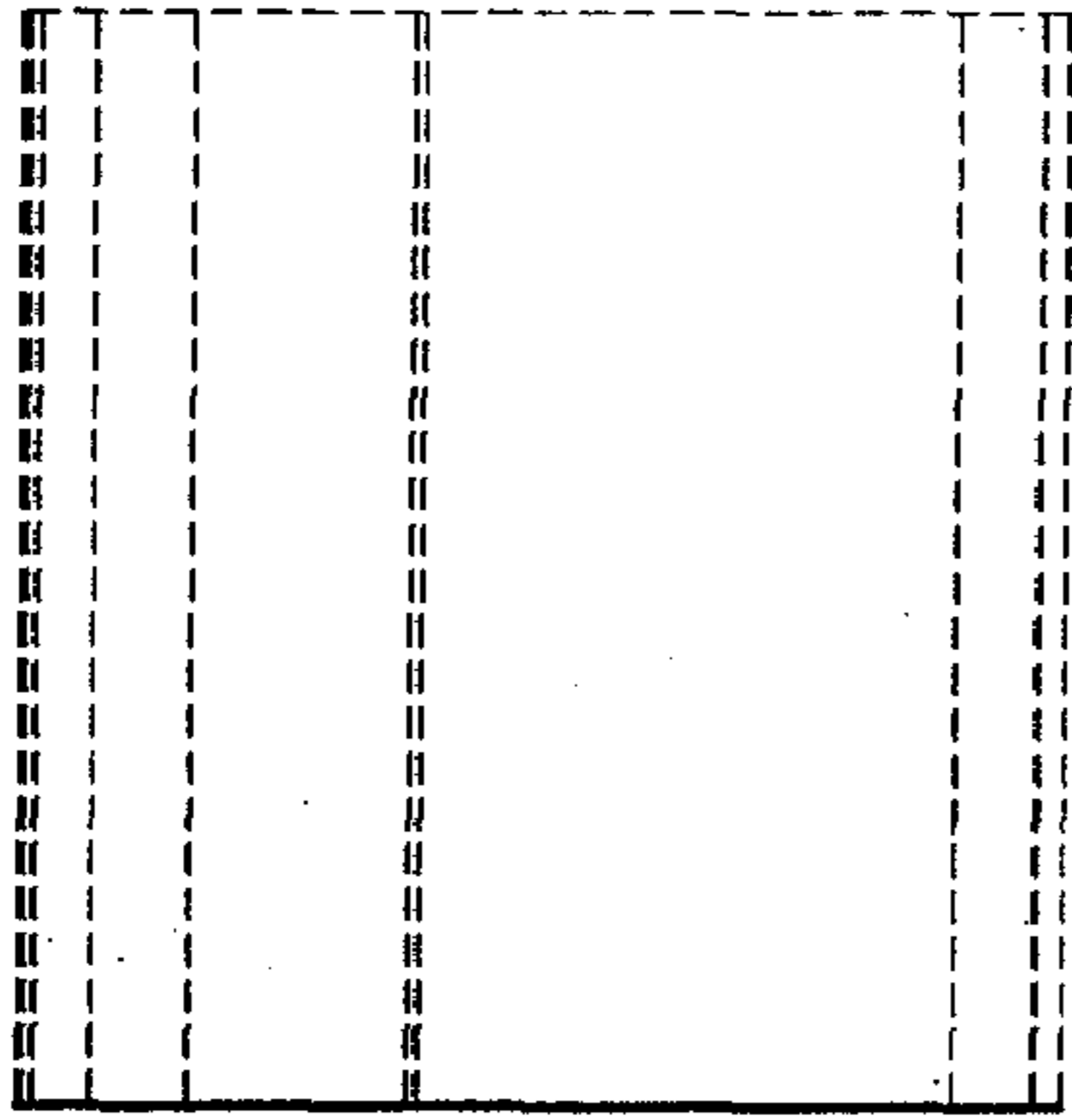


FIG. 6

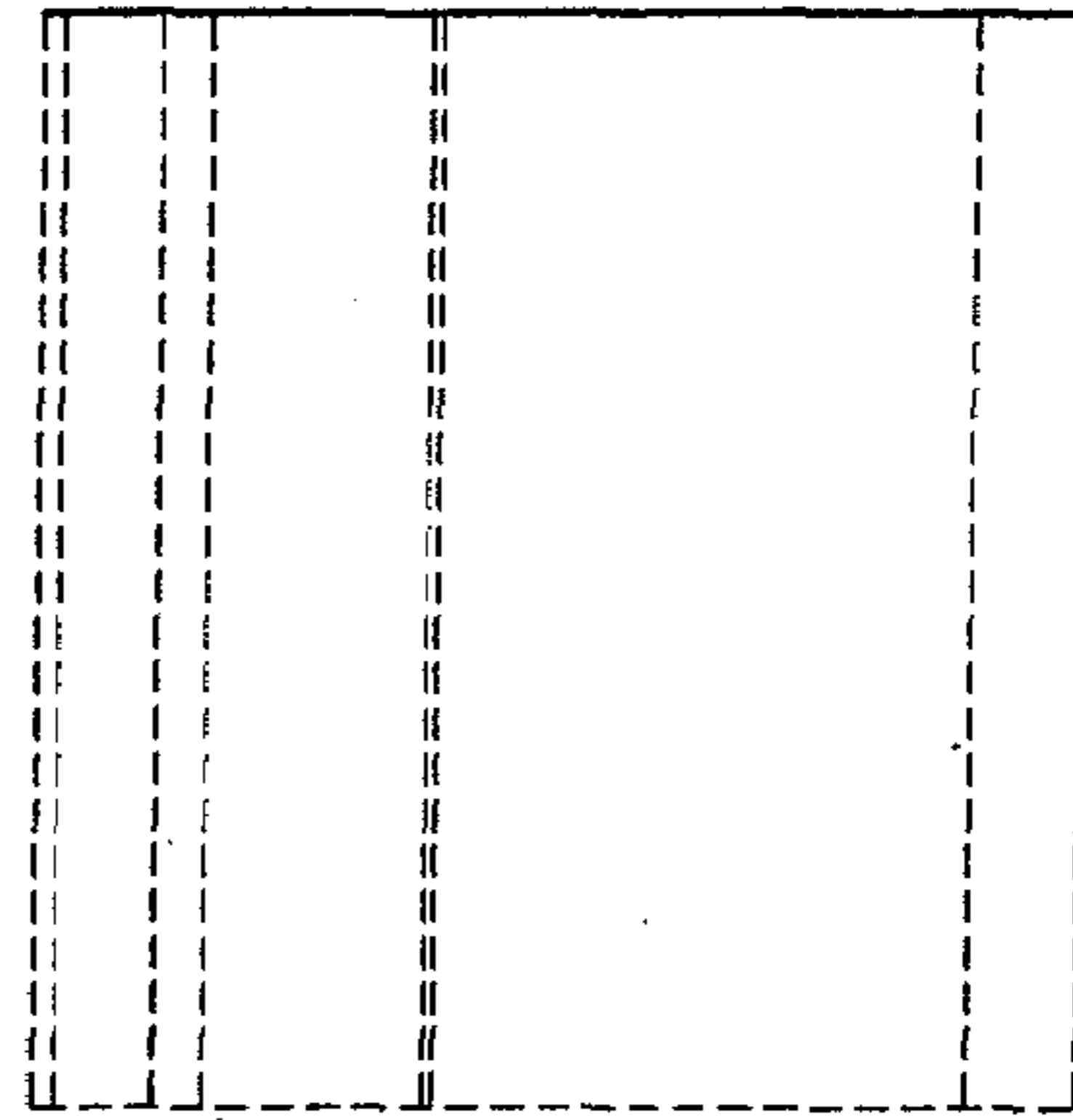
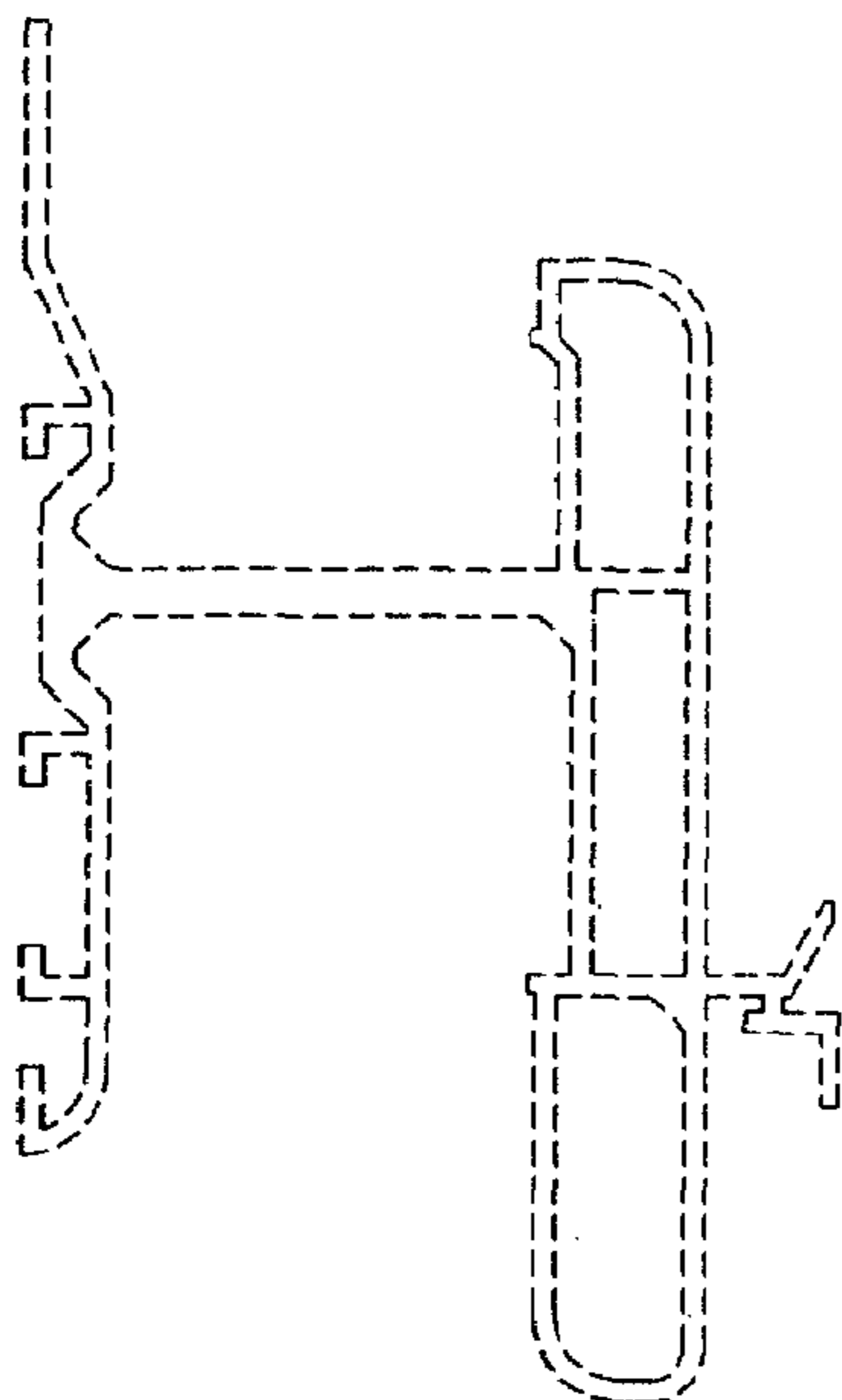


FIG. 7



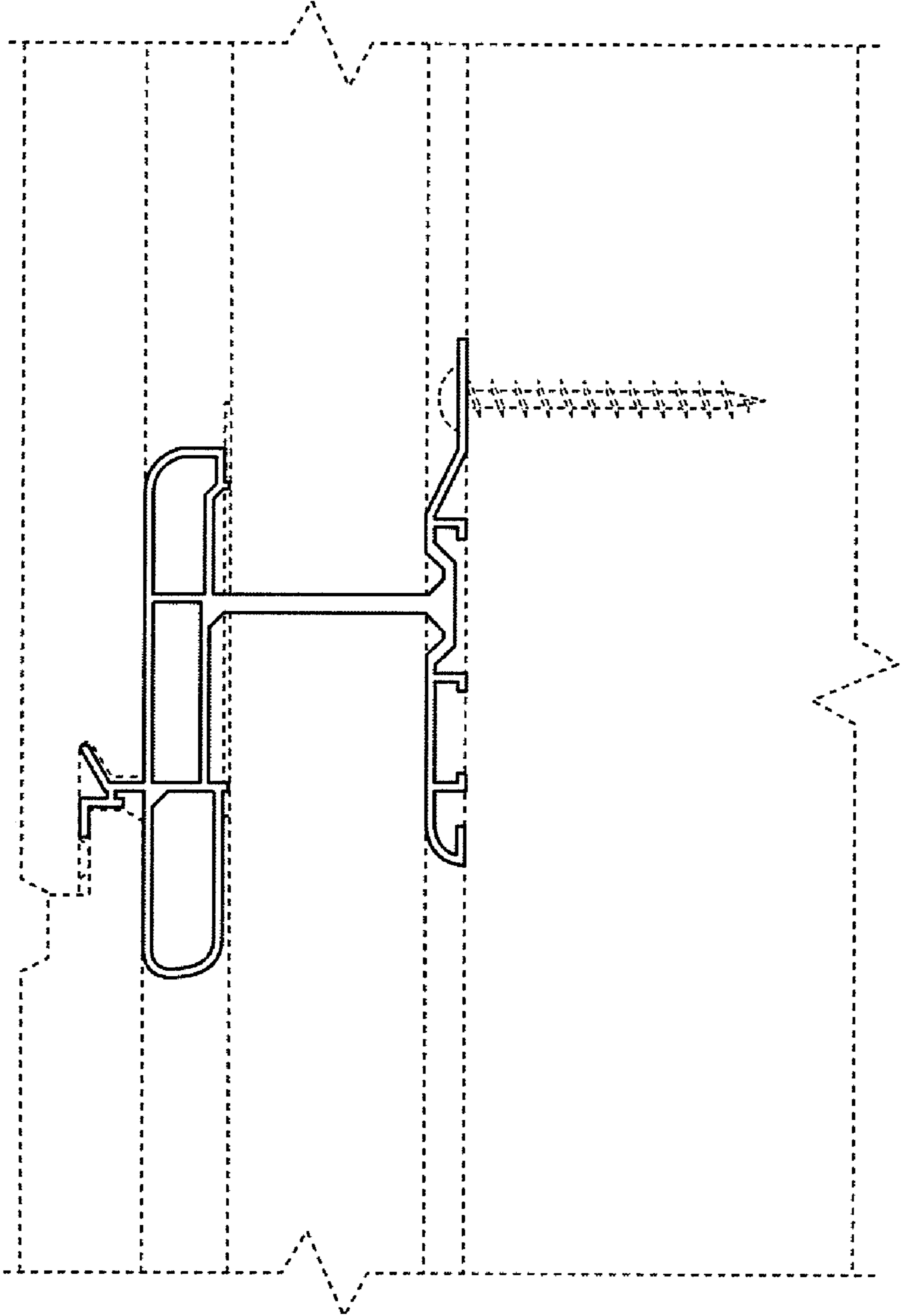


FIG. 8