



US00D559052S

(12) **United States Design Patent**
Voelker

(10) **Patent No.:** **US D559,052 S**
(45) **Date of Patent:** **** Jan. 8, 2008**

(54) **BATTERY-OPERABLE PRUNING DEVICE**

(76) **Inventor:** **Benard Voelker**, 103 Kenilworth Park
Dr., Towson, MD (US) 21204

(**) **Term:** **14 Years**

(21) **Appl. No.:** **29/262,548**

(22) **Filed:** **Jul. 6, 2006**

(51) **LOC (8) Cl.** **08-01**

(52) **U.S. Cl.** **D8/8**

(58) **Field of Classification Search** D8/7,
D8/8, 9; 30/208; 56/12.7, 233-237
See application file for complete search history.

(56) **References Cited**

U.S. PATENT DOCUMENTS

2,490,086	A	12/1949	Page	
2,718,059	A	9/1955	Koschak et al.	
3,293,746	A *	12/1966	Maxson	30/223
3,364,574	A *	1/1968	Stelljes et al.	30/144
3,408,875	A	11/1968	Brisman et al.	
3,583,067	A	6/1971	Briskman et al.	
3,631,596	A	1/1972	Glaus	
D229,534	S *	12/1973	Lauderback	D8/8
3,798,768	A *	3/1974	Cowley et al.	30/223
D256,769	S *	9/1980	Irelan	D8/8
D307,377	S *	4/1990	Sakamoto et al.	D8/8
4,987,681	A *	1/1991	Sepke	30/276
D315,085	S *	3/1991	Sepke	D8/8

D317,853	S *	7/1991	Clivio	D8/8
D325,856	S *	5/1992	Gierke	D8/8
D333,953	S *	3/1993	Miyoshi et al.	D8/8
D364,541	S *	11/1995	McJunkin et al.	D8/8
6,044,564	A	4/2000	Jeltsch	
D462,882	S *	9/2002	Evans	D8/8
D463,228	S *	9/2002	Cooper	D8/8
D463,229	S *	9/2002	Gabriel	D8/8
D543,805	S *	6/2007	Houghton	D8/8

* cited by examiner

Primary Examiner—Holly H. Baynham
Assistant Examiner—Sheryl Friedman

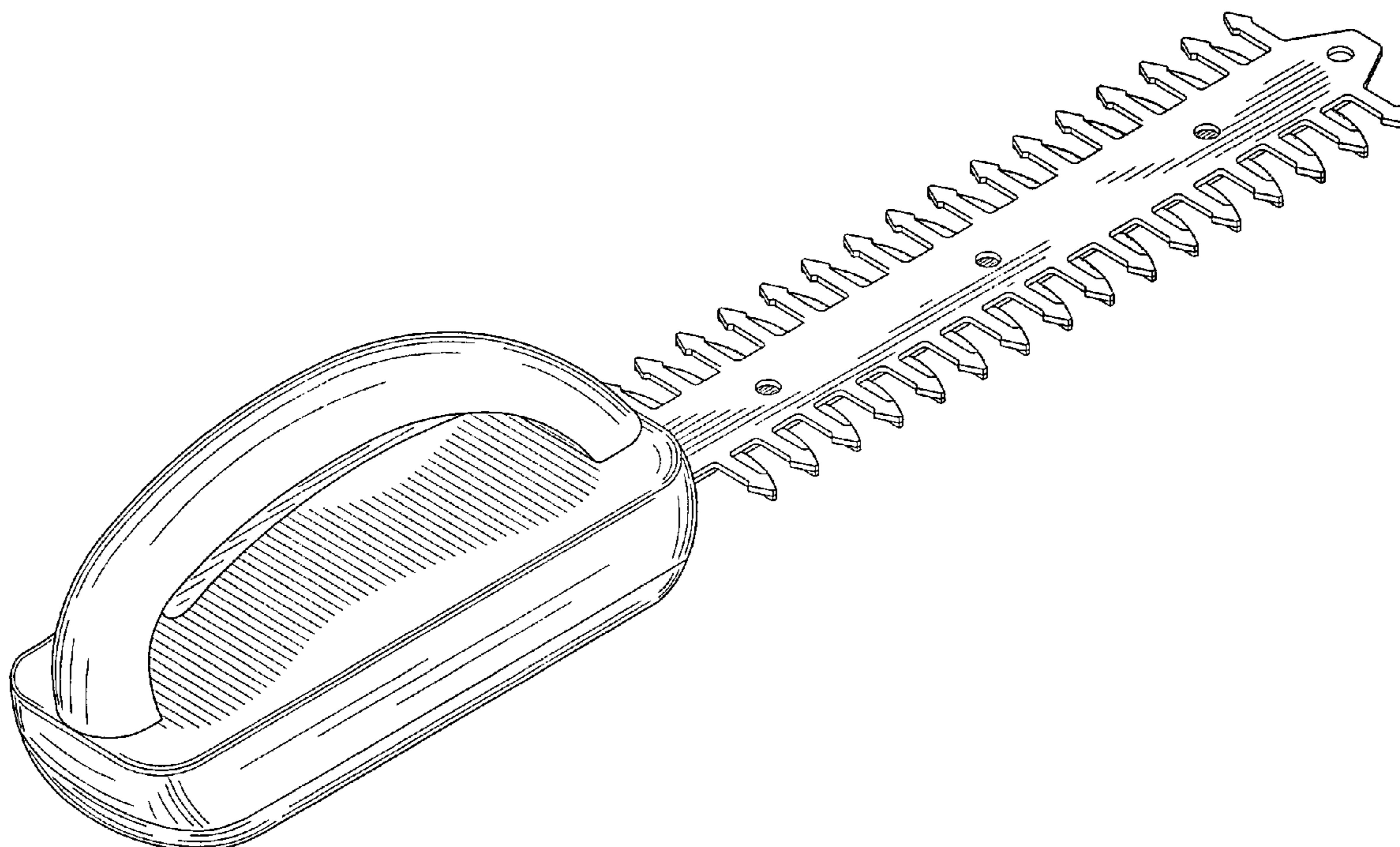
(57) **CLAIM**

The ornamental design for a battery-operable pruning device, as shown and described.

DESCRIPTION

FIG. 1 is a side elevational view of a battery-operable pruning device showing my new design;
FIG. 2 is a front elevational view thereof;
FIG. 3 is a rear elevational view thereof;
FIG. 4 is a top plan view thereof;
FIG. 5 is a bottom plan view thereof; and,
FIG. 6 is a perspective view thereof.

1 Claim, 3 Drawing Sheets



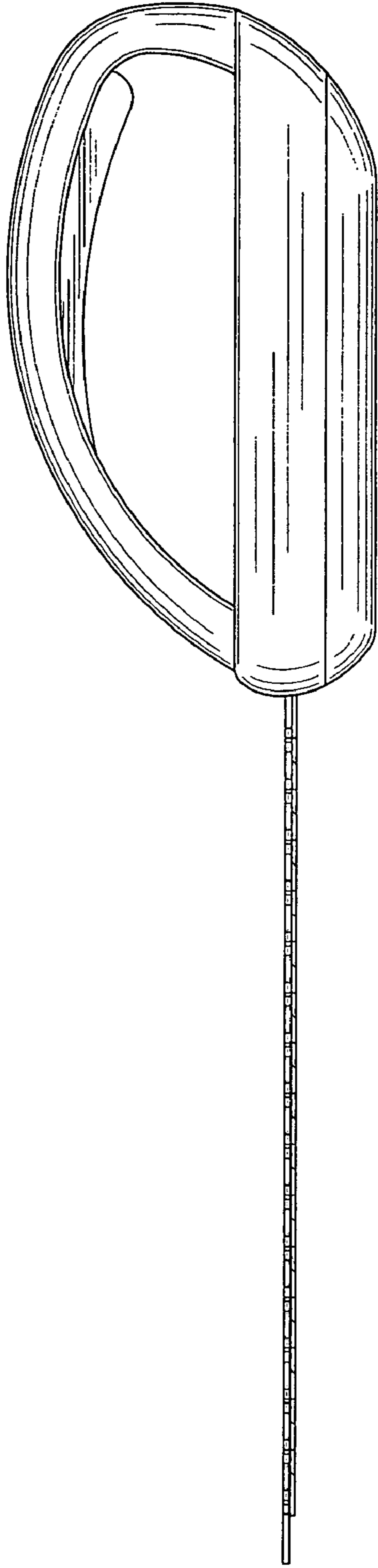


FIG. 1

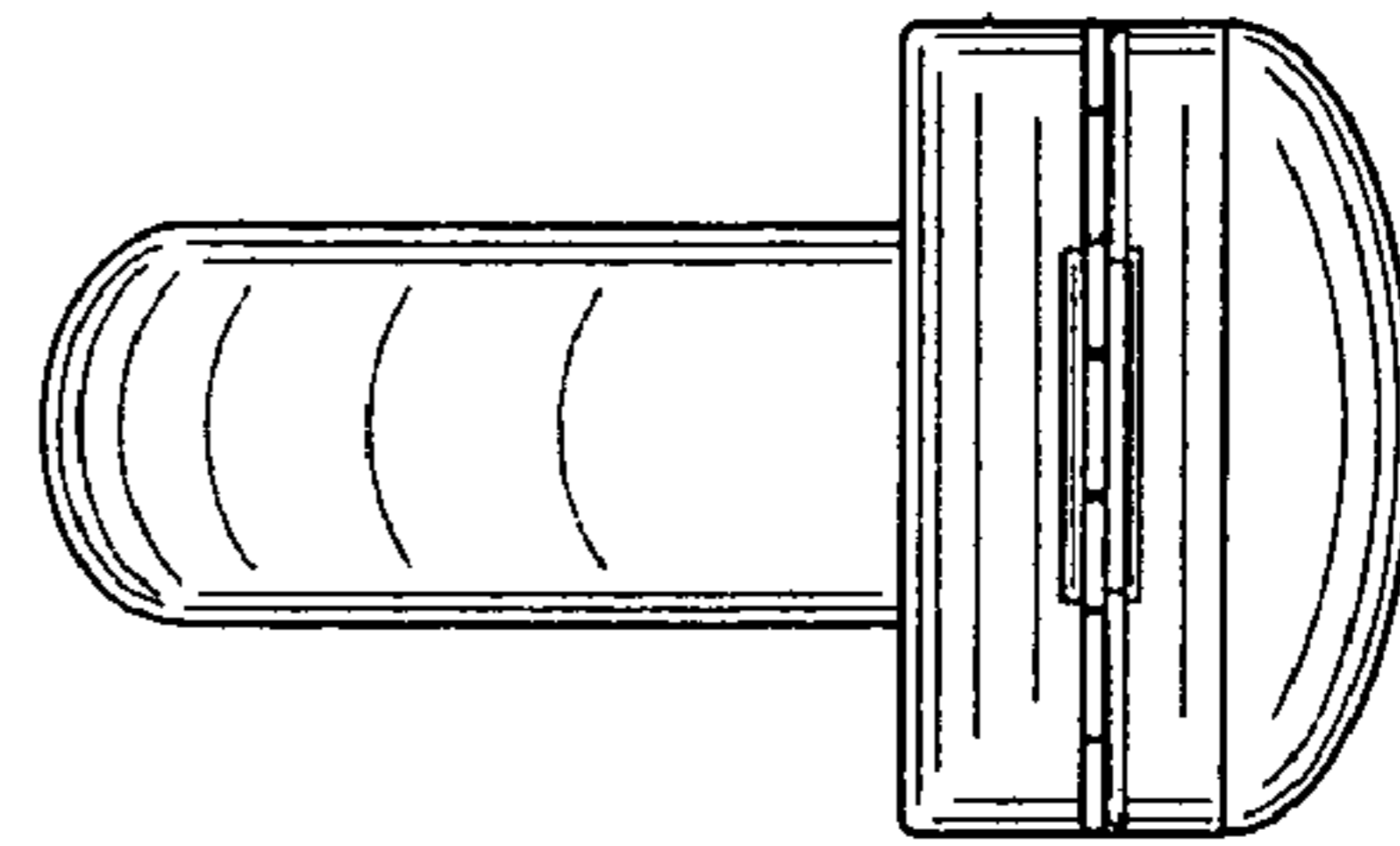


FIG. 2

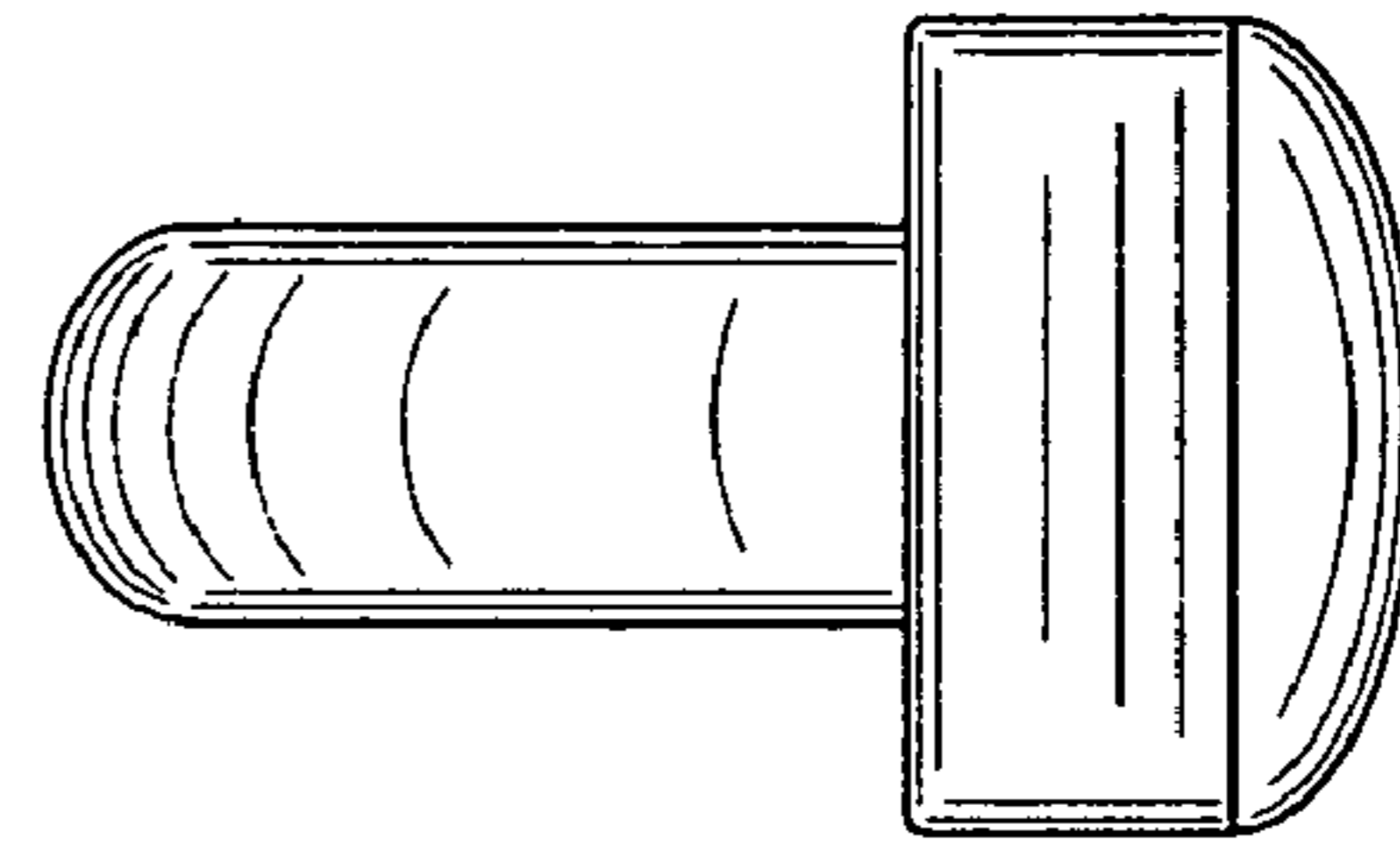


FIG. 3

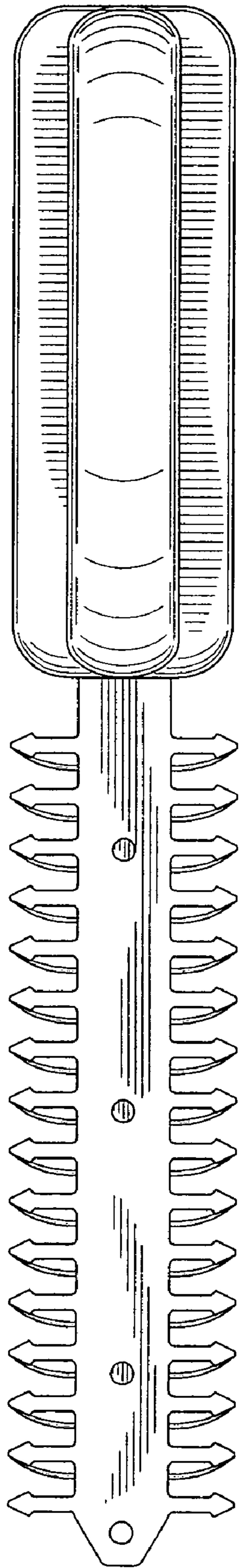


FIG. 4

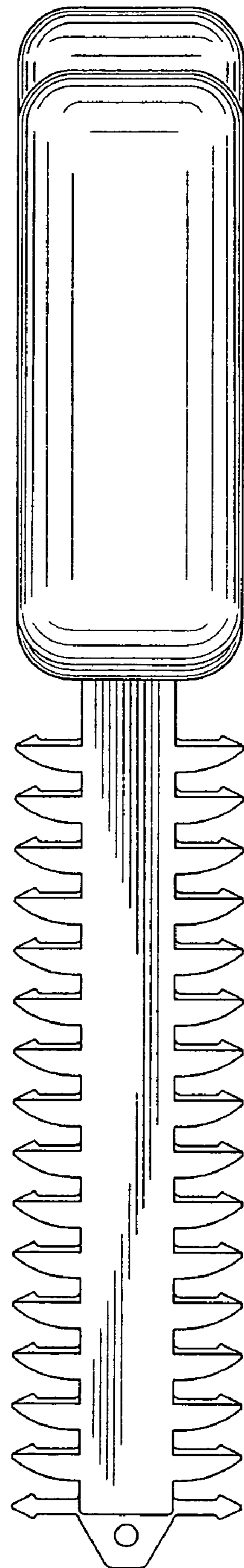


FIG. 5

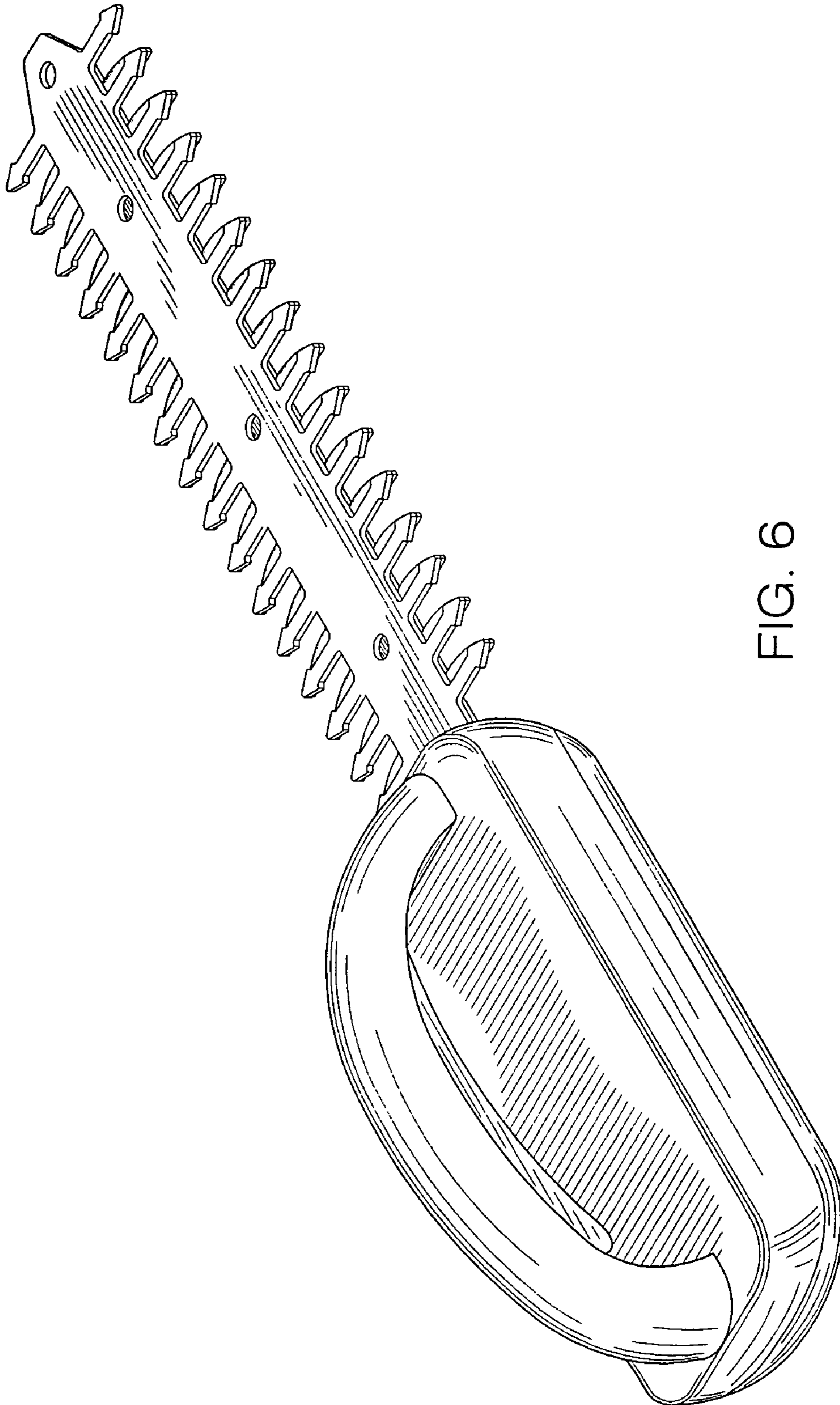


FIG. 6