



US00D559051S

(12) **United States Design Patent**
Fleece

(10) **Patent No.:** **US D559,051 S**

(45) **Date of Patent:** **** Jan. 8, 2008**

(54) **COMBINED PLANT WATERER AND SUPPORT**

(76) Inventor: **Vincent Fleece**, 16125 Juanita Woodinville Way NE., Unit 708, Bothell, WA (US) 98011-6492

(**) Term: **14 Years**

(21) Appl. No.: **29/248,036**

(22) Filed: **Jul. 26, 2006**

(51) **LOC (8) Cl.** **08-01**

(52) **U.S. Cl.** **D8/1**

(58) **Field of Classification Search** D8/1;
D7/356, 357, 359, 538, 568; 47/44, 71, 80,
47/21, 85

See application file for complete search history.

(56) **References Cited**

U.S. PATENT DOCUMENTS

548,381	A *	10/1895	Mulligan	210/318
D92,934	S *	7/1934	Spencer	D11/147
D185,399	S *	6/1959	Tupper	D7/667
D219,530	S *	12/1970	Billings	D15/28
D263,269	S *	3/1982	Strathman	D7/667
D281,480	S *	11/1985	McClelland	D7/356
D289,863	S *	5/1987	Pecoff	D11/155
4,833,823	A *	5/1989	Edwards, III	47/39
D307,528	S *	5/1990	DeCoster	D7/678
D344,210	S *	2/1994	Cousins et al.	D7/538
D350,913	S *	9/1994	Heimos	D11/164
D365,498	S *	12/1995	Lillelund et al.	D7/505
D373,291	S *	9/1996	Auker	D8/1
D376,741	S *	12/1996	Sadlowski, Sr.	D8/8
D410,073	S *	5/1999	Barnett	D23/261
D420,864	S *	2/2000	Kenney et al.	D7/667

6,125,580	A *	10/2000	Fan	47/80
6,131,334	A *	10/2000	Fan	47/81
6,182,394	B1 *	2/2001	Bassler	47/65.5
D445,029	S *	7/2001	Niknafs	D9/456
D502,065	S *	2/2005	Yang	D8/1
6,955,008	B2 *	10/2005	Rose	47/80

* cited by examiner

Primary Examiner—Holly H. Baynham

Assistant Examiner—Sheryl Friedman

(74) *Attorney, Agent, or Firm*—David L. Tingey

(57) **CLAIM**

We claim the ornamental design for a combined plant waterer and support, as shown and described.

DESCRIPTION

FIG. 1 is a top perspective view of the combined plant waterer and support according to the new design.

FIG. 2 is a top perspective view of the large mesh top of the combined plant waterer and support of FIG. 1.

FIG. 3 is a top perspective view of the container that receives the large mesh top of FIG. 2 of the combined plant waterer and support of FIG. 1.

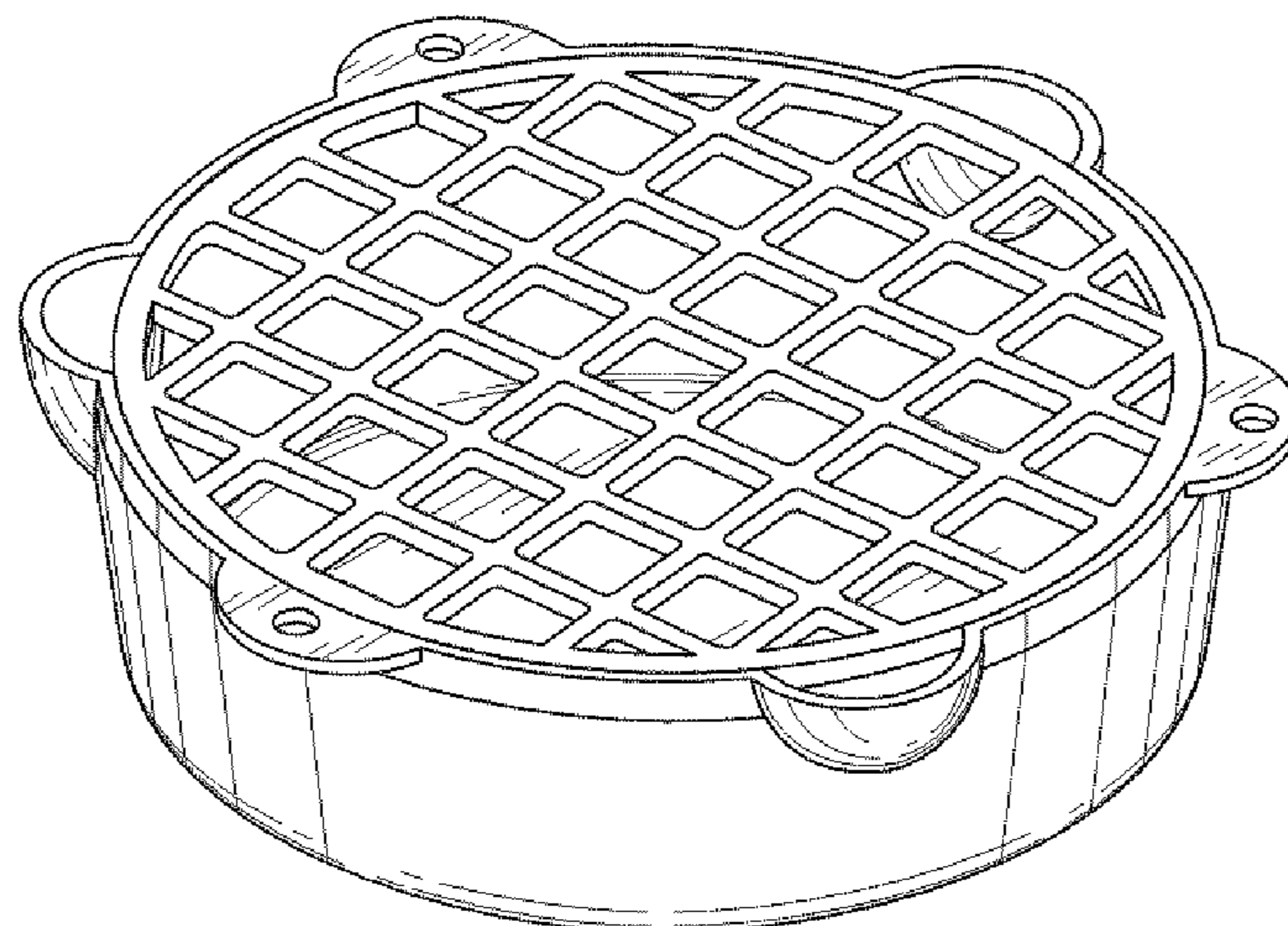
FIG. 4 is a top view of the container of FIG. 3 of the combined plant waterer and support of FIG. 1.

FIG. 5 is a side view of the container of FIG. 3 of the combined plant waterer and support of FIG. 1; and,

FIG. 6 is a top view of the combined plant waterer and support of FIG. 1.

The elements of the claimed design are shown detached for clarity.

1 Claim, 2 Drawing Sheets



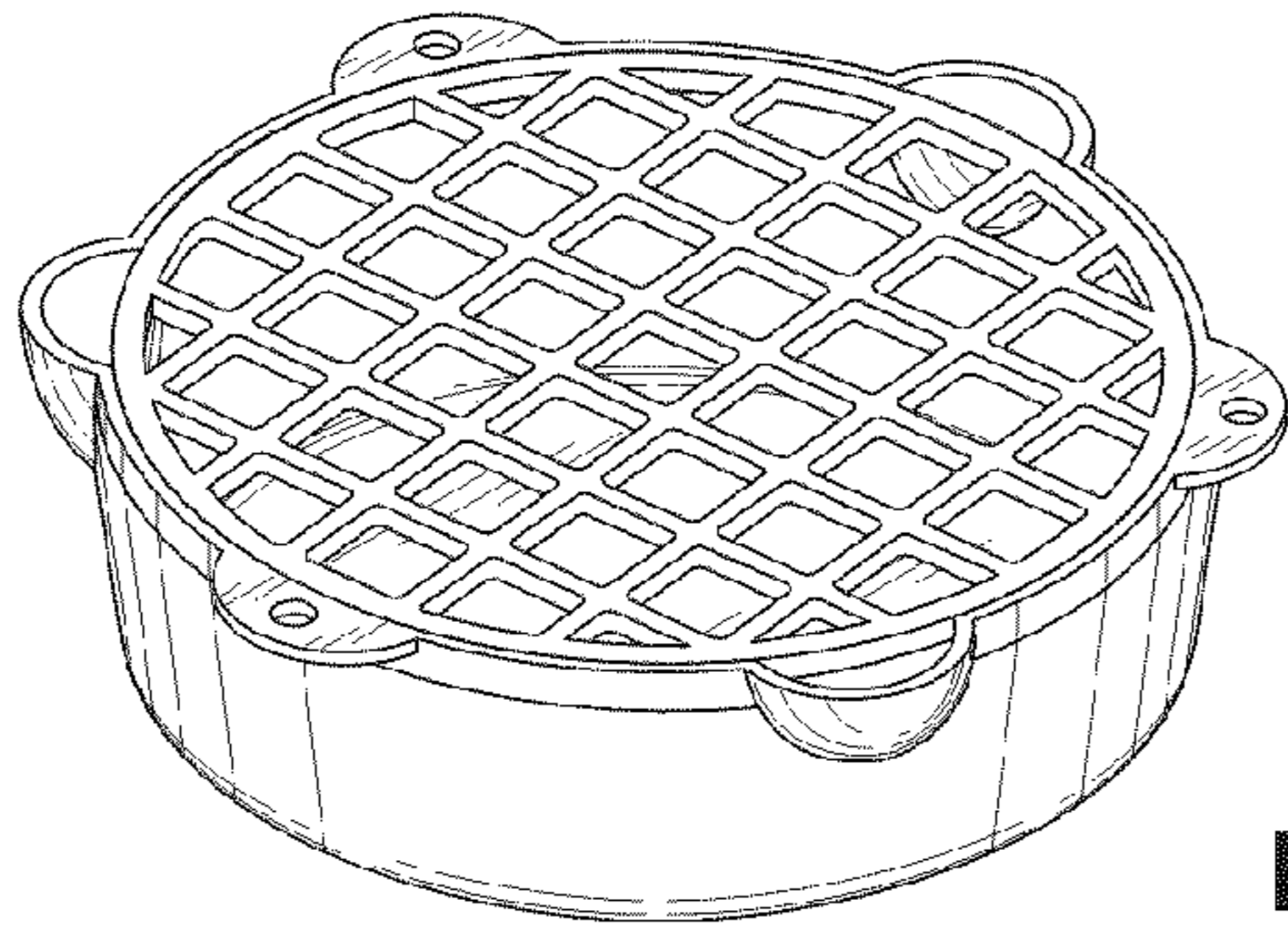


Fig. 1

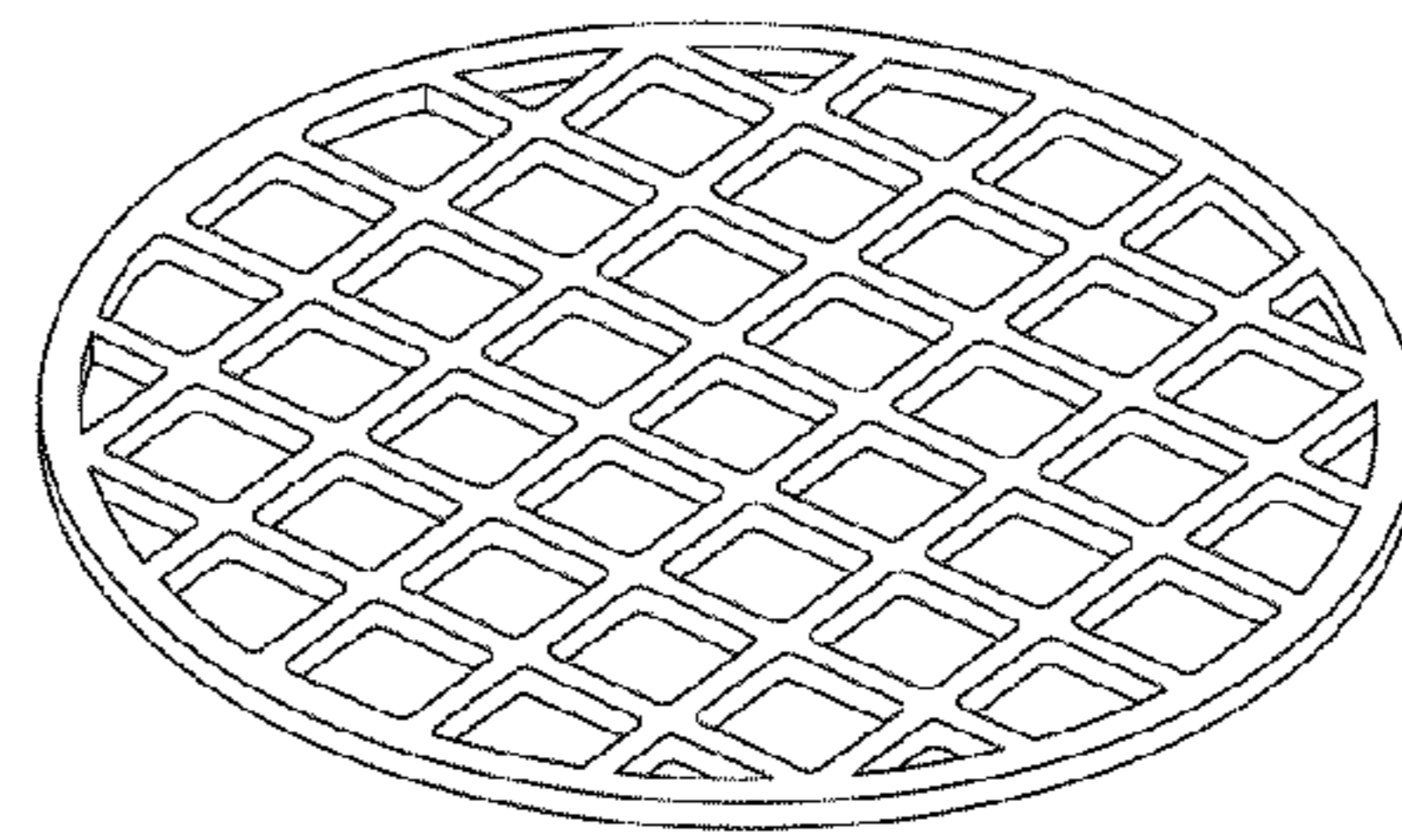


Fig. 2

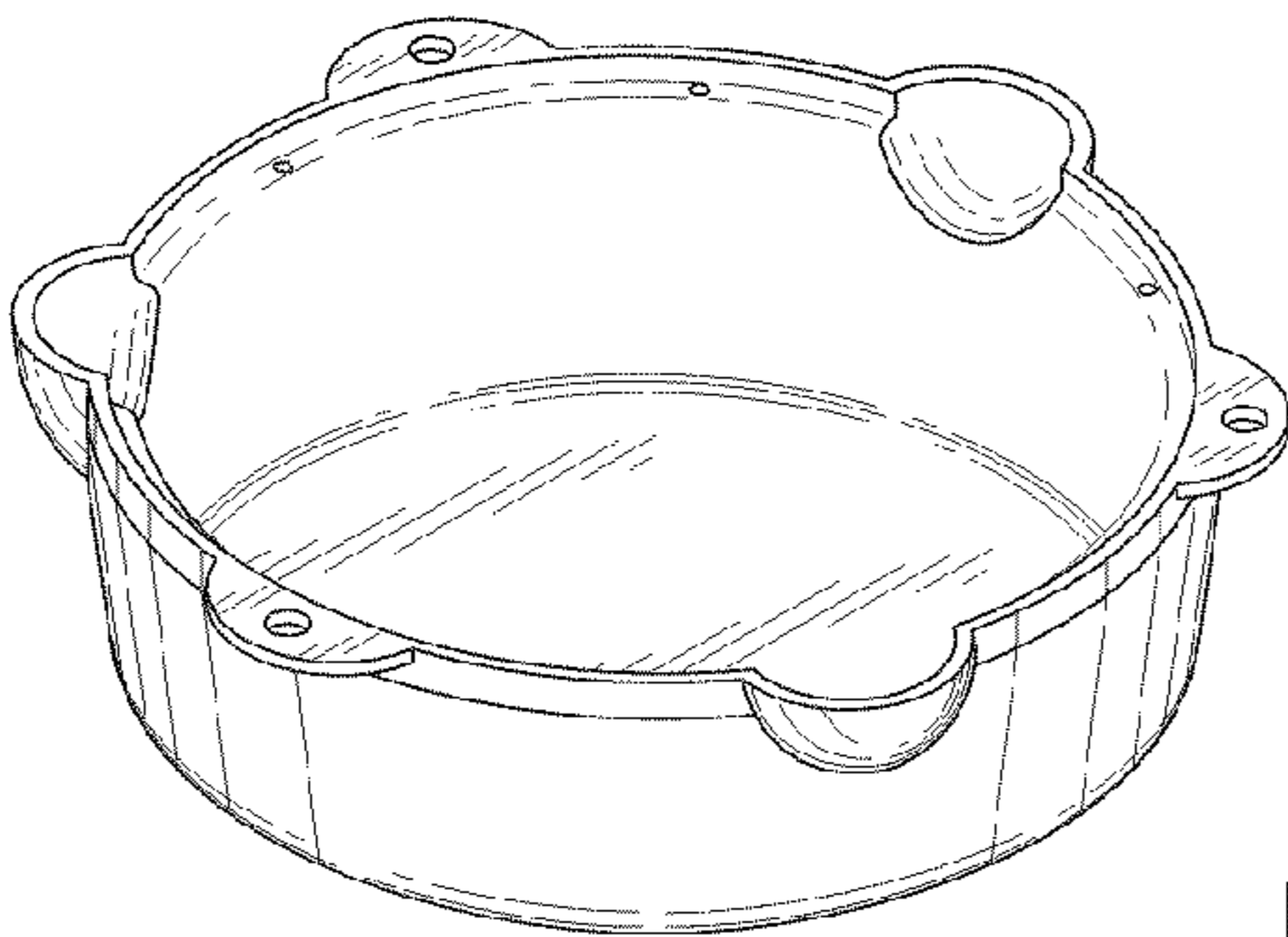


Fig. 3

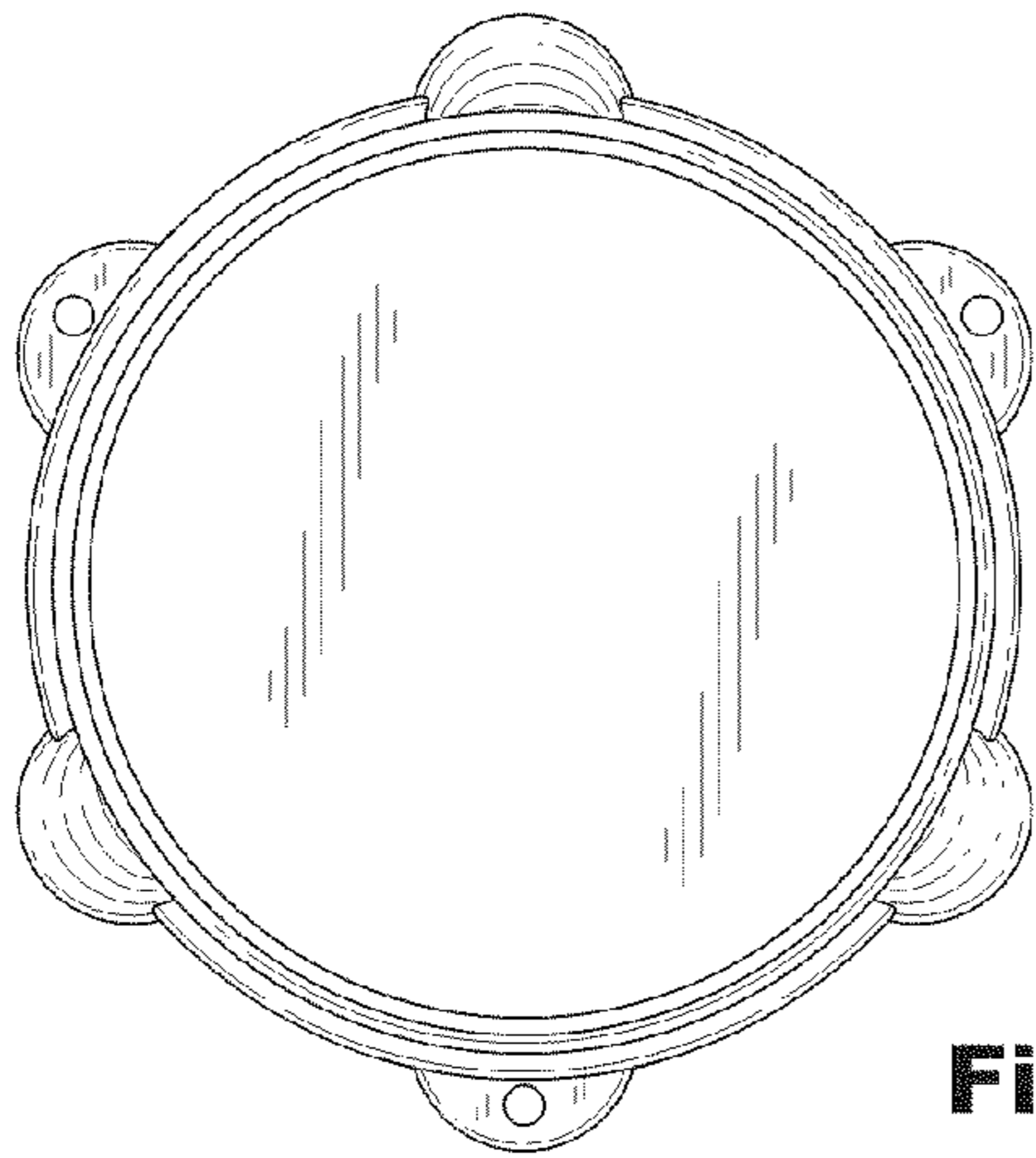


Fig. 4

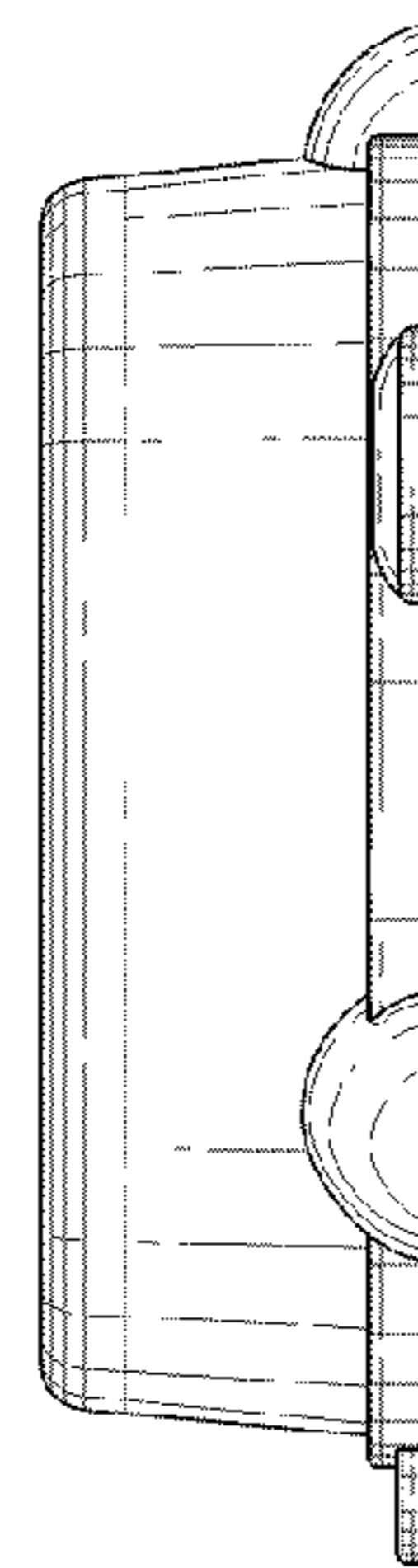


Fig. 5

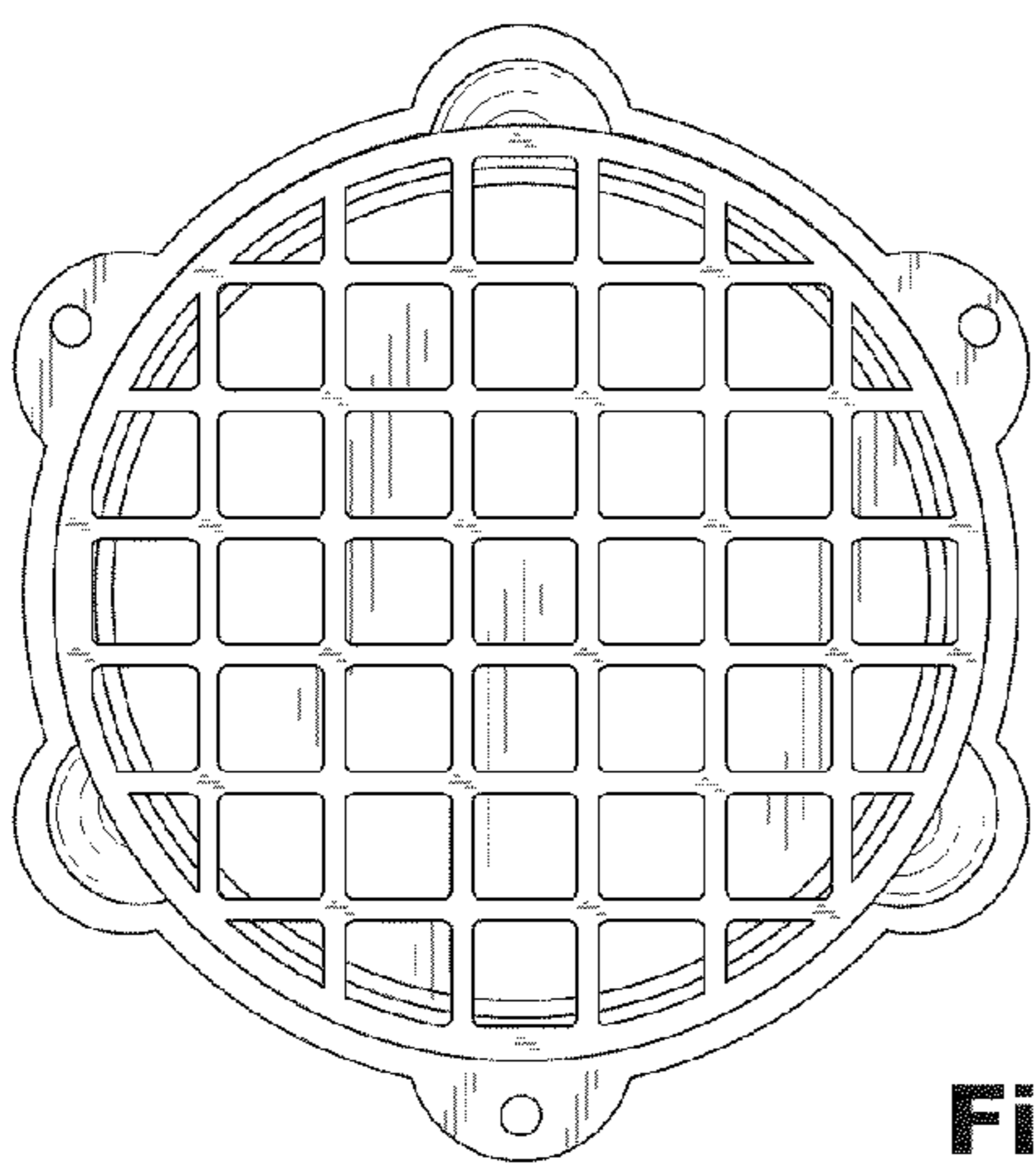


Fig. 6