



US00D559049S

(12) **United States Design Patent**  
**Spooner**

(10) **Patent No.:** **US D559,049 S**  
(45) **Date of Patent:** **\*\* Jan. 8, 2008**

(54) **BOTTLE RACK**

(76) Inventor: **Jack Spooner**, 117 Sierra Blvd.,  
Roseville, CA (US) 95678

(\*\*) Term: **14 Years**

(21) Appl. No.: **29/246,628**

(22) Filed: **Apr. 27, 2006**

(51) **LOC (8) Cl.** ..... **07-06**

(52) **U.S. Cl.** ..... **D7/701; D23/266**

(58) **Field of Classification Search** ..... D7/701-708,  
D7/600.1-600.4, 619.1-625; D6/457, 458,  
D6/462, 466, 487, 572; 211/74, 71.01, 13.1,  
211/90.01, 123, 182, 72; 248/181.1

See application file for complete search history.

(56) **References Cited**

**U.S. PATENT DOCUMENTS**

3,130,836	A *	4/1964	Conrad	.....	211/74
D239,481	S *	4/1976	Beatty	.....	D6/458
4,971,209	A	11/1990	Todd		
5,149,041	A	9/1992	Hartke		
D334,529	S *	4/1993	Guilbert	.....	D6/462
D395,210	S	6/1998	Almsig		
5,947,305	A	9/1999	Lin		
D434,478	S *	11/2000	Sanders	.....	D23/266
6,234,326	B1	5/2001	Higgins et al.		
6,345,723	B1	2/2002	Blake et al.		
6,394,288	B1	5/2002	Hartwall		
6,722,510	B1	4/2004	Sen		
6,729,481	B1	5/2004	O'Brien		
6,763,956	B2	7/2004	Woods		
D533,413	S *	12/2006	Wax	.....	D7/701

**OTHER PUBLICATIONS**

JPO Publication No: HD15000696, Date of Receipt: Feb. 28, 2003,  
"Bottle Rack Design", Hong Kong Household, vol. 1, 2003.  
JPO Publication No: HH07015838, Date of Receipt: Feb. 23, 1995,  
"Design for Wine-holding Apparatus", Danish Design Publication,  
Jan. 20, 1995, Edition No. 2.

JPO Publication No: HH11073277, Date of Receipt: Sep. 10, 1998,  
"Bottle Rack Design", Benelux Design Publication, Aug. 21, 1998.  
JPO Publication No: HH11000089, Date of Receipt: Oct. 9, 1997,  
"Wine Rack Design", Danish Design Publication, Oct. 3, 1997,  
Edition No. 19.

\* cited by examiner

*Primary Examiner*—Terry A Wallace

(74) *Attorney, Agent, or Firm*—Intellectual Property Law  
Group LLP; Otto O. Lee; Juneko Jackson

(57) **CLAIM**

The ornamental design for a bottle rack, as shown and  
described.

**DESCRIPTION**

FIG. 1 is a perspective view of a first embodiment of a bottle  
rack showing my new design;

FIG. 2 is a front view thereof;

FIG. 3 is a rear view thereof;

FIG. 4 is a left side view thereof;

FIG. 5 is a right side view thereof;

FIG. 6 is a top plan view thereof; and

FIG. 7 is a bottom plan view thereof;

FIG. 8 is a perspective view of a second embodiment of the  
bottle rack;

FIG. 9 is a front view thereof;

FIG. 10 is a rear view thereof;

FIG. 11 is a top plan view thereof;

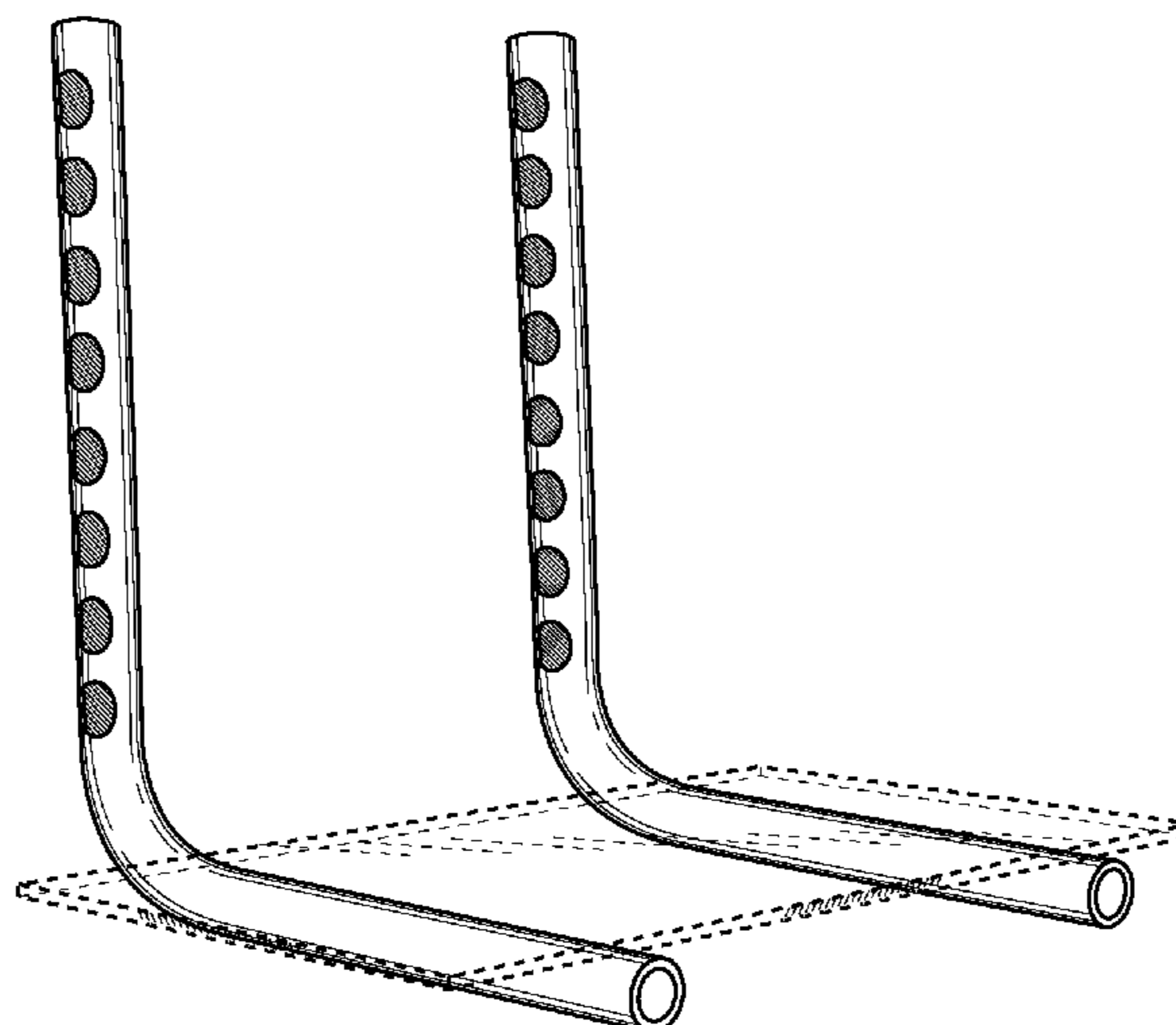
FIG. 12 is a bottom plan view thereof;

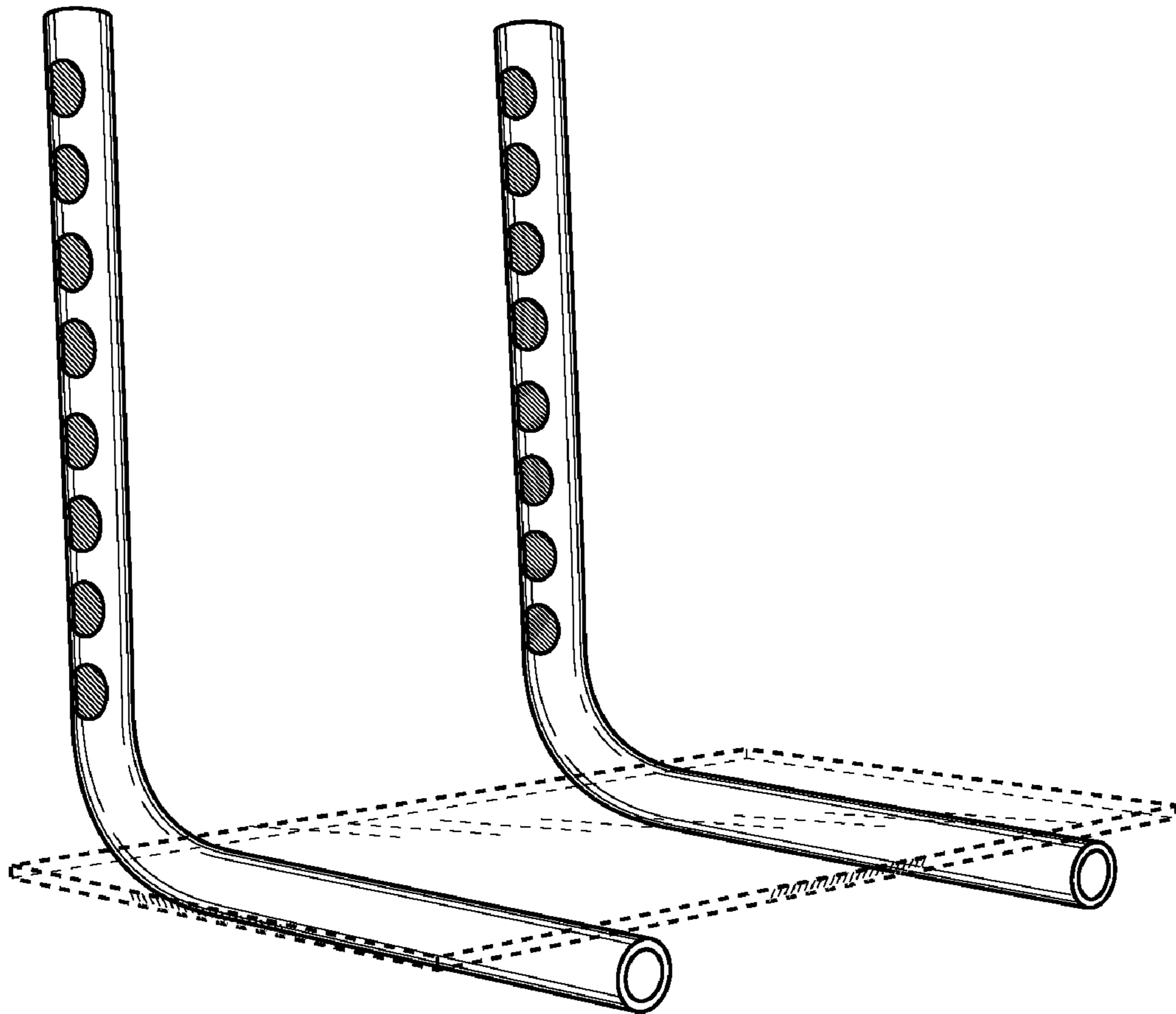
FIG. 13 is a left side view thereof; and,

FIG. 14 is a right side view thereof.

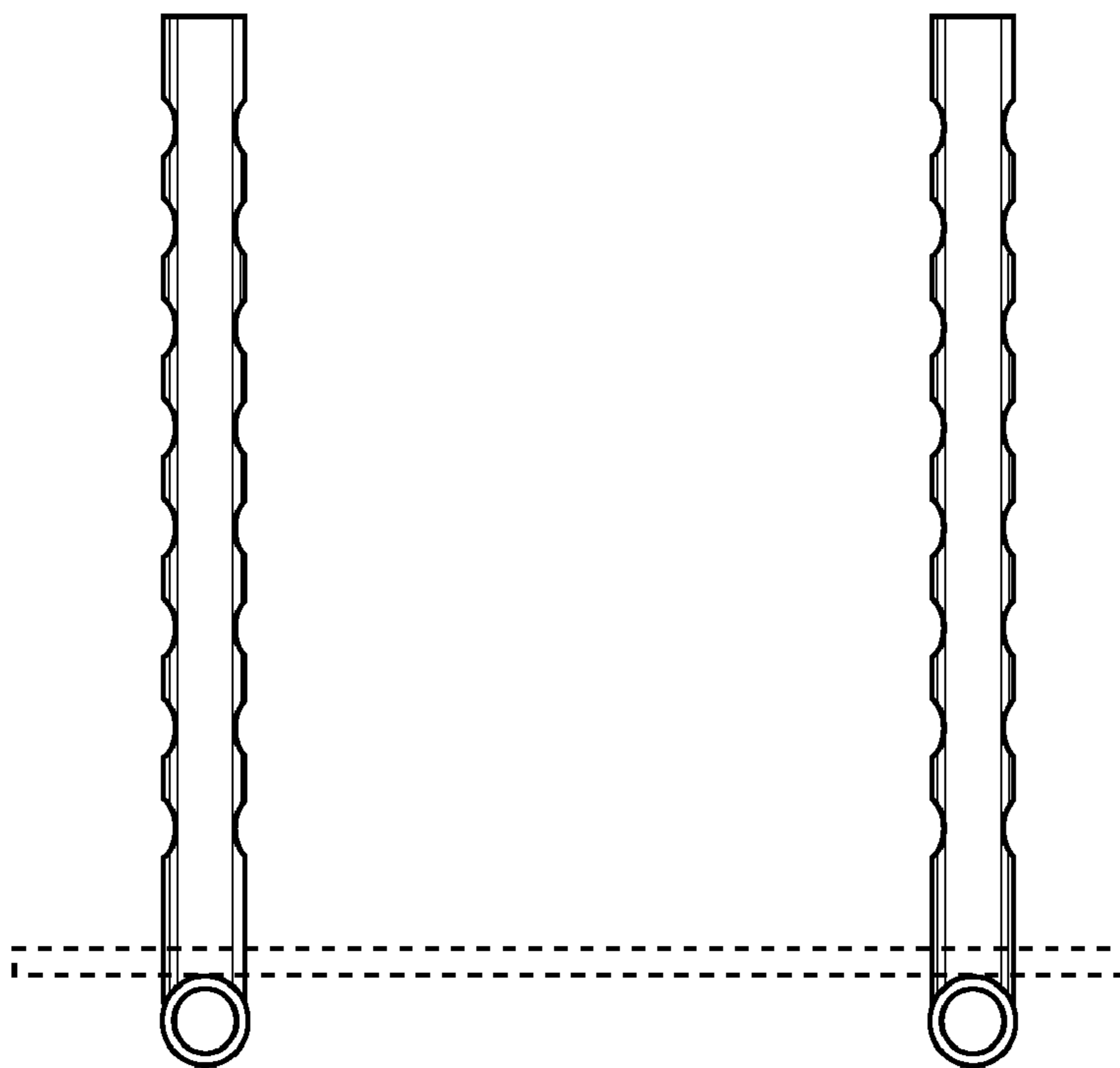
The broken lines in FIGS. 1-7 are for illustrative purposes  
only and form no part of the claimed design.

**1 Claim, 7 Drawing Sheets**

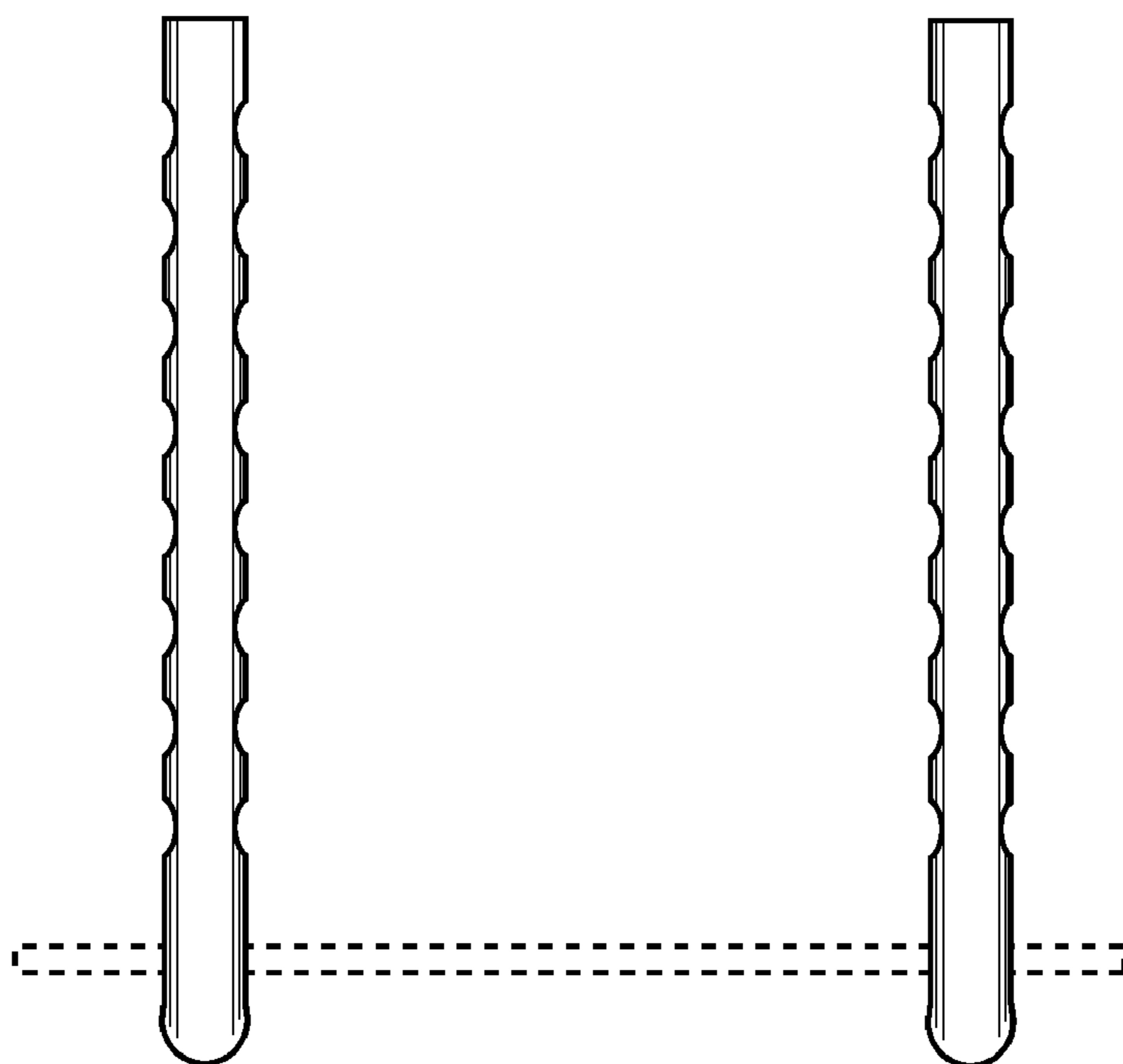




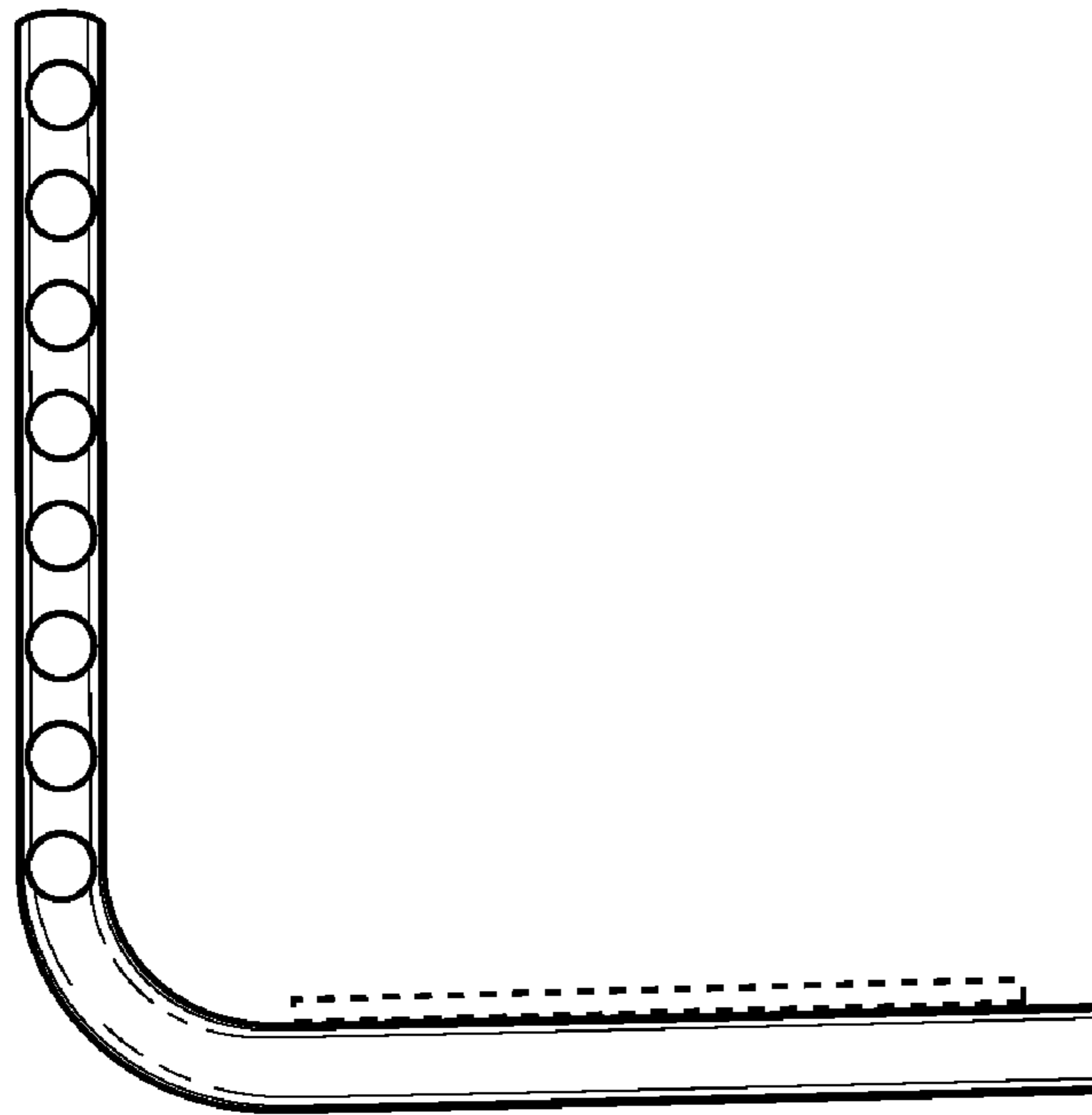
**Fig. 1**



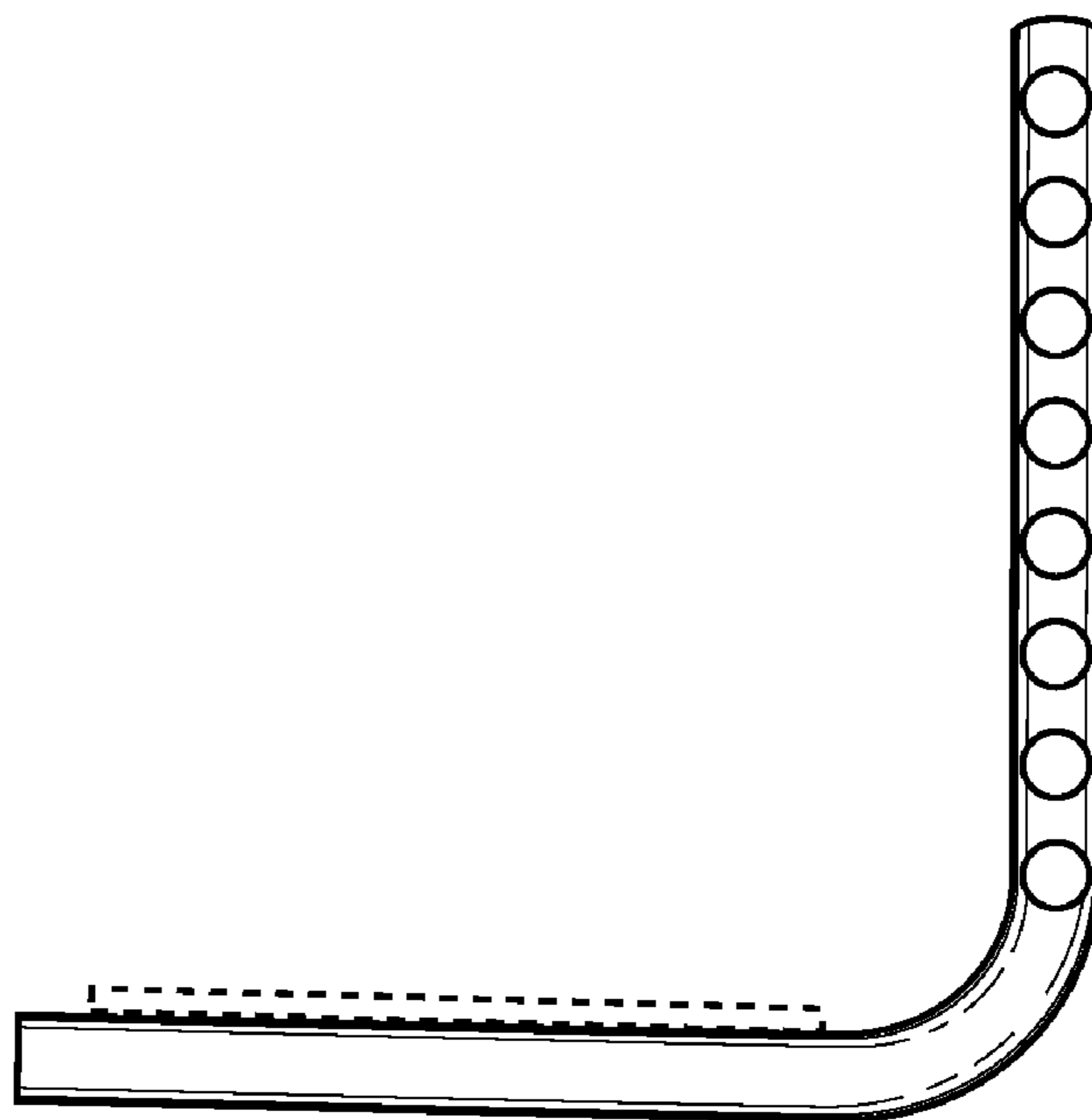
**Fig. 2**



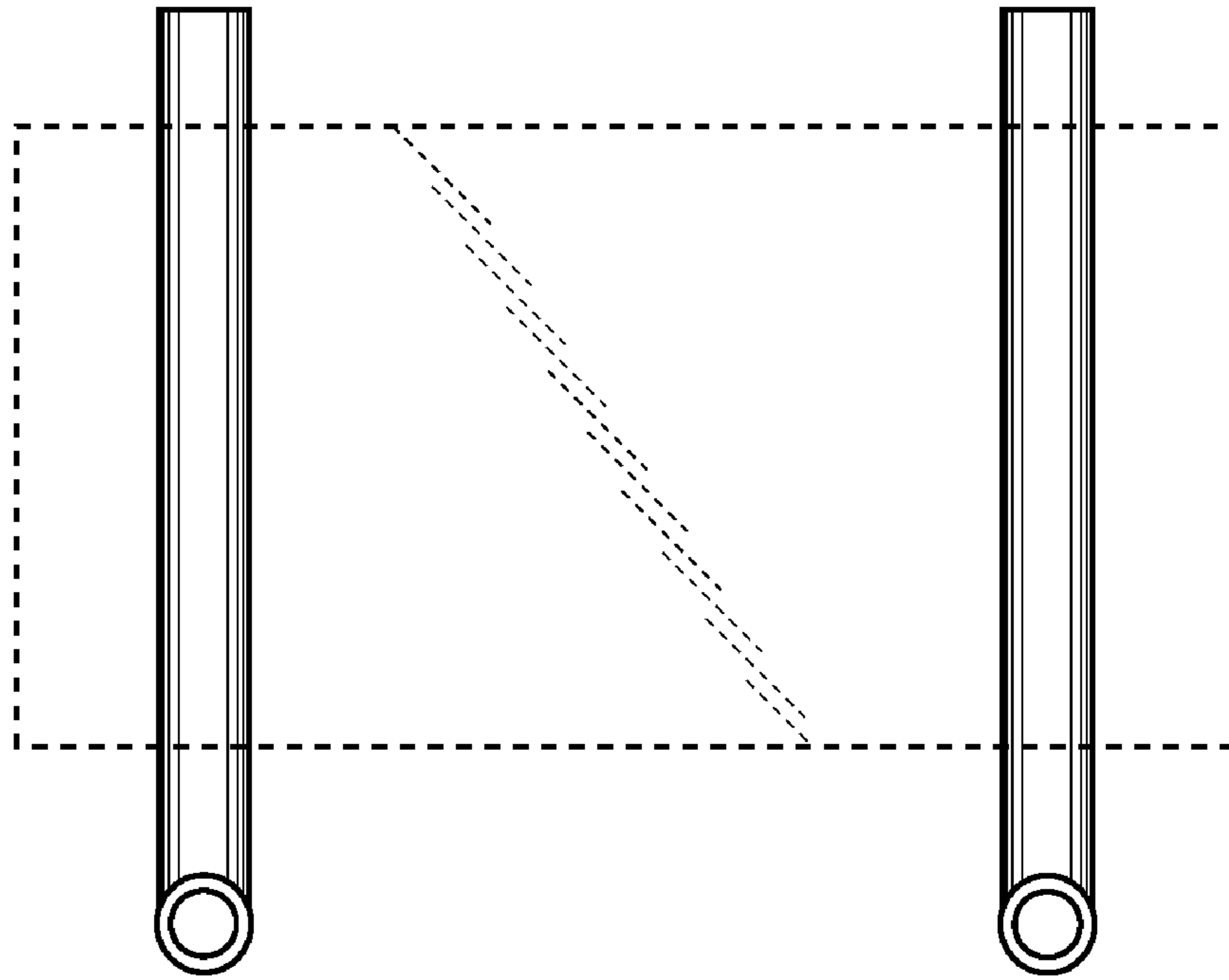
**Fig. 3**



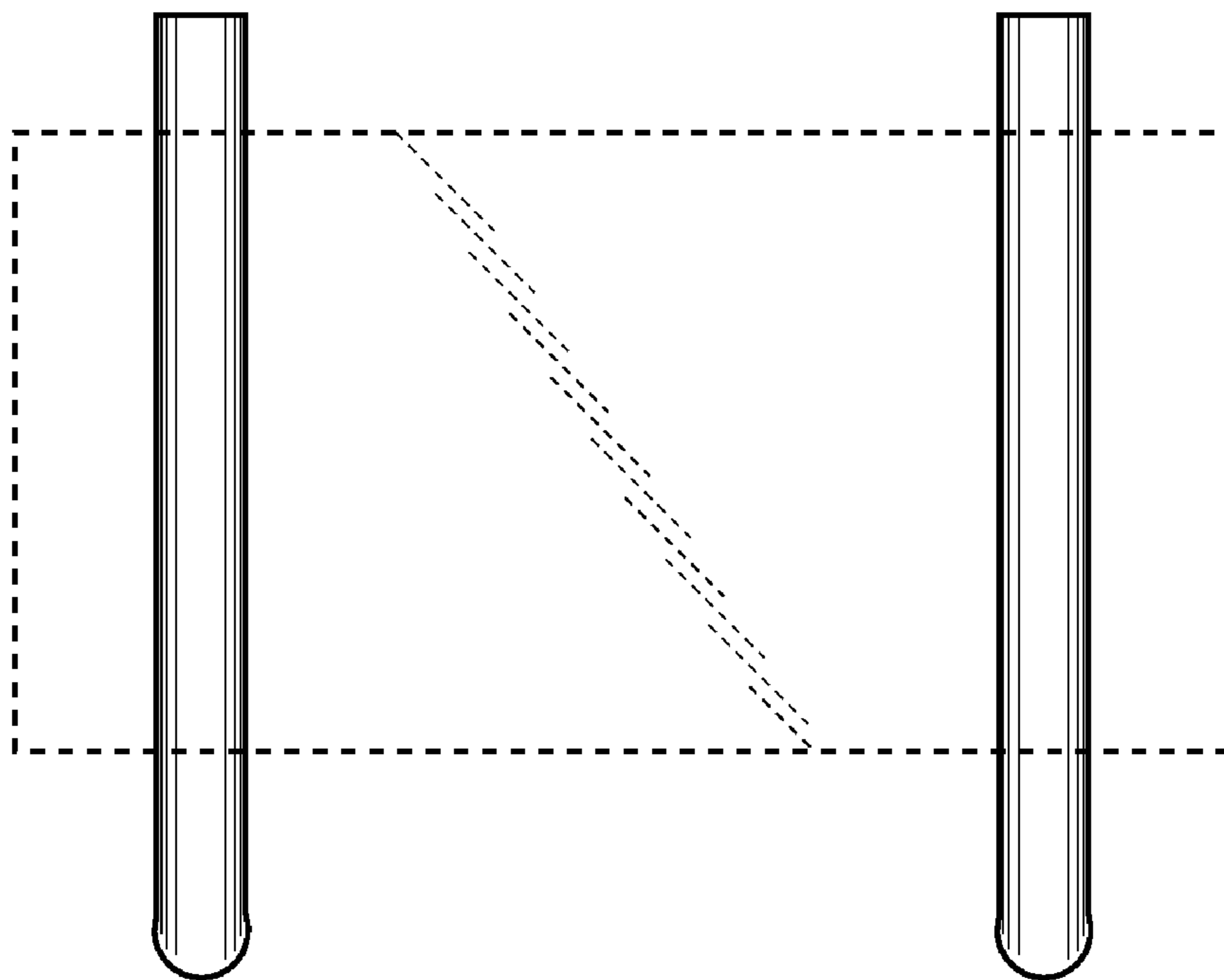
**Fig. 4**



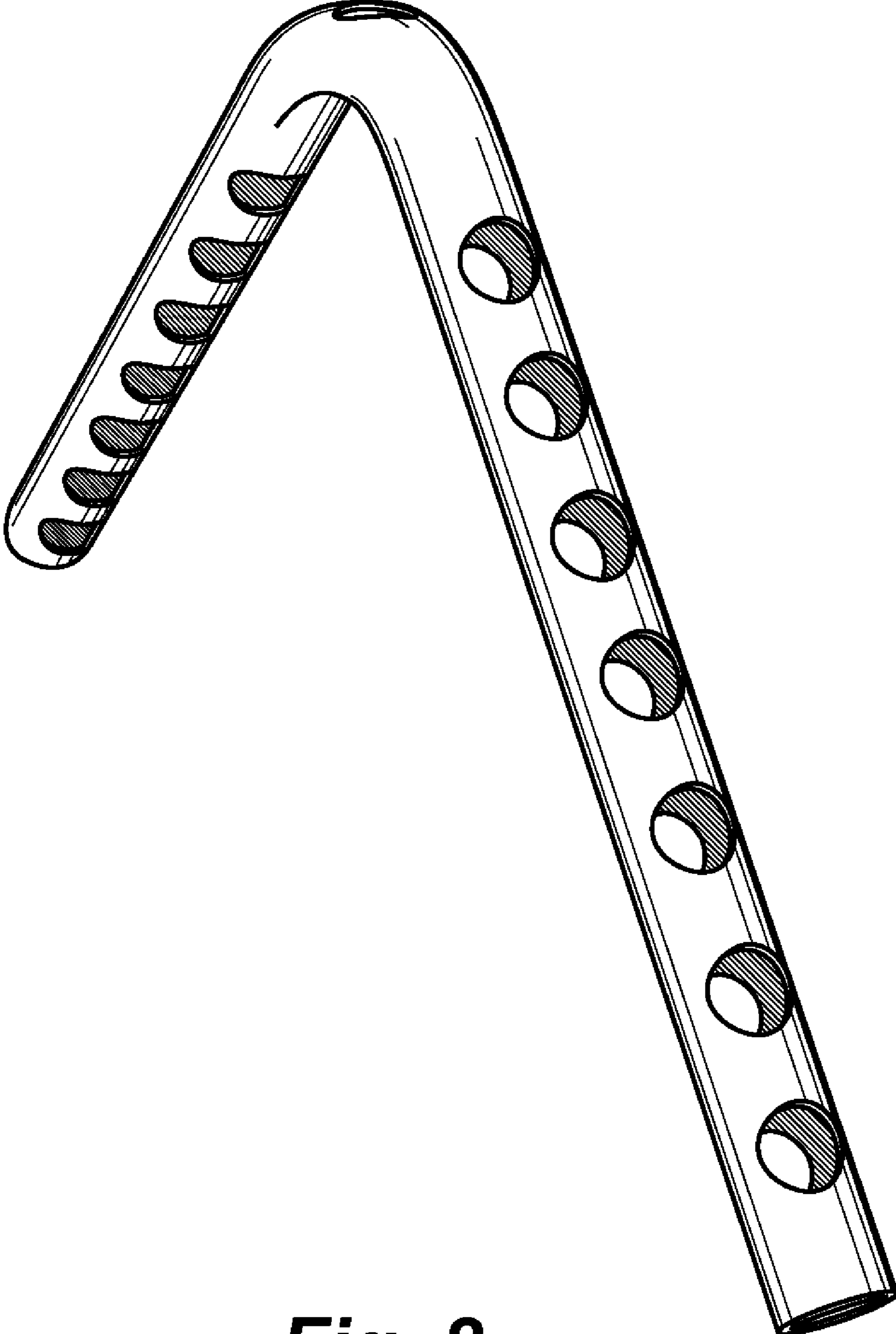
**Fig. 5**



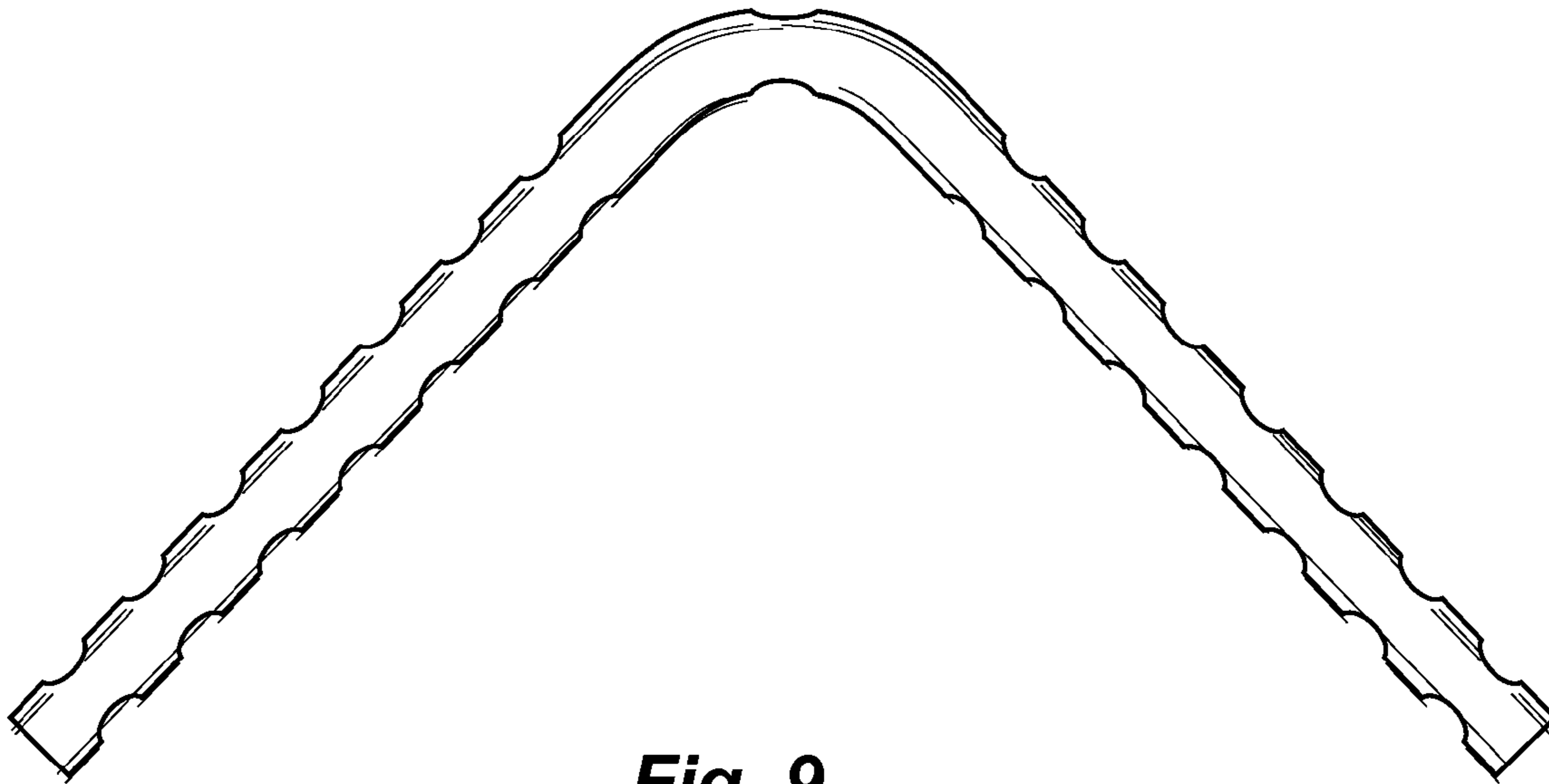
***Fig. 6***



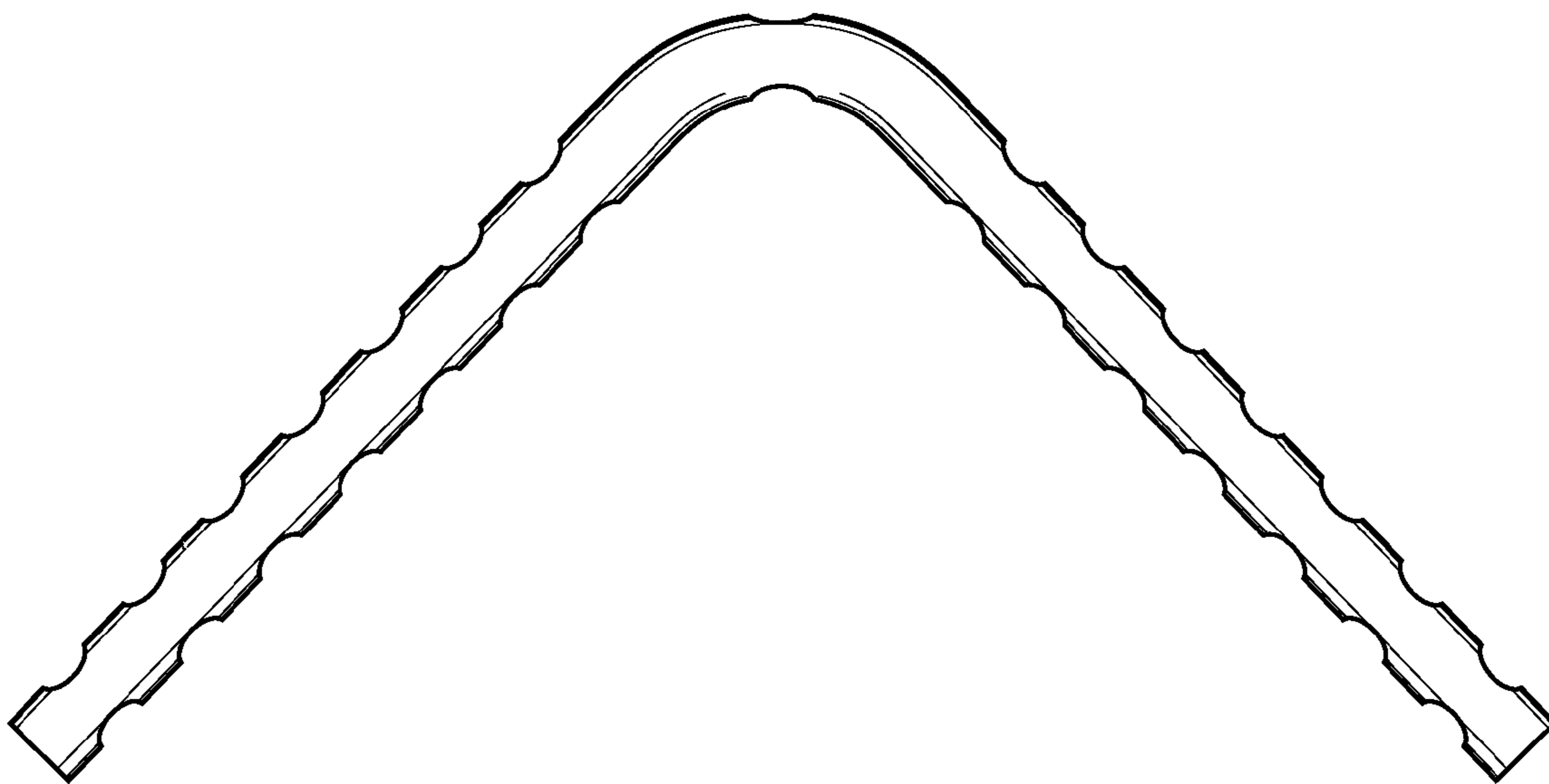
***Fig. 7***



**Fig. 8**



**Fig. 9**



**Fig. 10**



*Fig. 11*



*Fig. 12*



*Fig. 13*



*Fig. 14*