



US00D559044S

(12) **United States Design Patent** (10) **Patent No.:** **US D559,044 S**
Ono (45) **Date of Patent:** **** *Jan. 8, 2008**

(54) **KNIFE**
(75) Inventor: **Takeshi Ono**, Seki (JP)
(73) Assignee: **Kai U.S.A., Ltd.**, Tualatin, OR (US)
(*) Notice: This patent is subject to a terminal disclaimer.

D462,581 S 9/2002 Parlowski
D462,582 S 9/2002 Parlowski
D468,972 S 1/2003 Chen
6,625,890 B2 * 9/2003 Hufnagel et al. 30/344
D483,625 S * 12/2003 Chien D7/649
D503,873 S * 4/2005 Bodum D7/649
D514,419 S * 2/2006 Henriksen D8/98

(**) Term: **14 Years**
(21) Appl. No.: **29/257,928**
(22) Filed: **Apr. 12, 2006**

(51) **LOC (8) Cl.** **07-03**
(52) **U.S. Cl.** **D7/649**
(58) **Field of Classification Search** D4/138;
D7/393, 395, 401.2, 642-646, 649-653, 662-664,
D7/688, 695-696; D8/10, 36, 75, 80, 83,
D8/87, 98, 99, 102, 107, 300, 303; D18/34.9;
D22/118; 30/123.5-123.7, 124-125, 128,
30/142-143, 147-149, 169, 295, 304, 316,
30/329, 340, 342-346, 353, 355, 394
See application file for complete search history.

OTHER PUBLICATIONS

Wusthof Le Cordon Blue Series <http://web.archive.org/web/20041214031011/http://www.wusthof.com/> via WayBack Machine of the Internet's Archive p. 37, Dec. 14, 2004.*
The UK Patent Office—Designs Register Enquiry, Designs Full Detail for UK Registered Design Patent No. 3004234, granted Sep. 17, 2002, <http://webdb4.patent.gov.uk/designs?csbdesign=3004234>, download date of Jul. 25, 2006.

* cited by examiner
Primary Examiner—Caron D. Veynar
Assistant Examiner—Ricky Pham
(74) *Attorney, Agent, or Firm*—Seed IP Law Group PLLC

(56) **References Cited**

U.S. PATENT DOCUMENTS

D218,216 S 7/1970 Hopcraft et al.
D269,244 S * 6/1983 Becher et al. D7/650
D302,092 S * 7/1989 Cohen et al. D7/650
D324,326 S * 3/1992 Lu D7/650
5,692,308 A * 12/1997 Di Libero 30/353
D398,476 S * 9/1998 Stokes D7/401.2
D400,059 S * 10/1998 Cohen et al. D7/649
D425,365 S 5/2000 Chien
6,213,055 B1 4/2001 Willinger et al.
D448,253 S 9/2001 Staib, Jr. et al.
D452,129 S * 12/2001 McCalla et al. D8/107
D455,937 S * 4/2002 Huebner D7/649
6,381,855 B1 * 5/2002 Lin 30/295
6,418,820 B1 7/2002 Lamond et al.

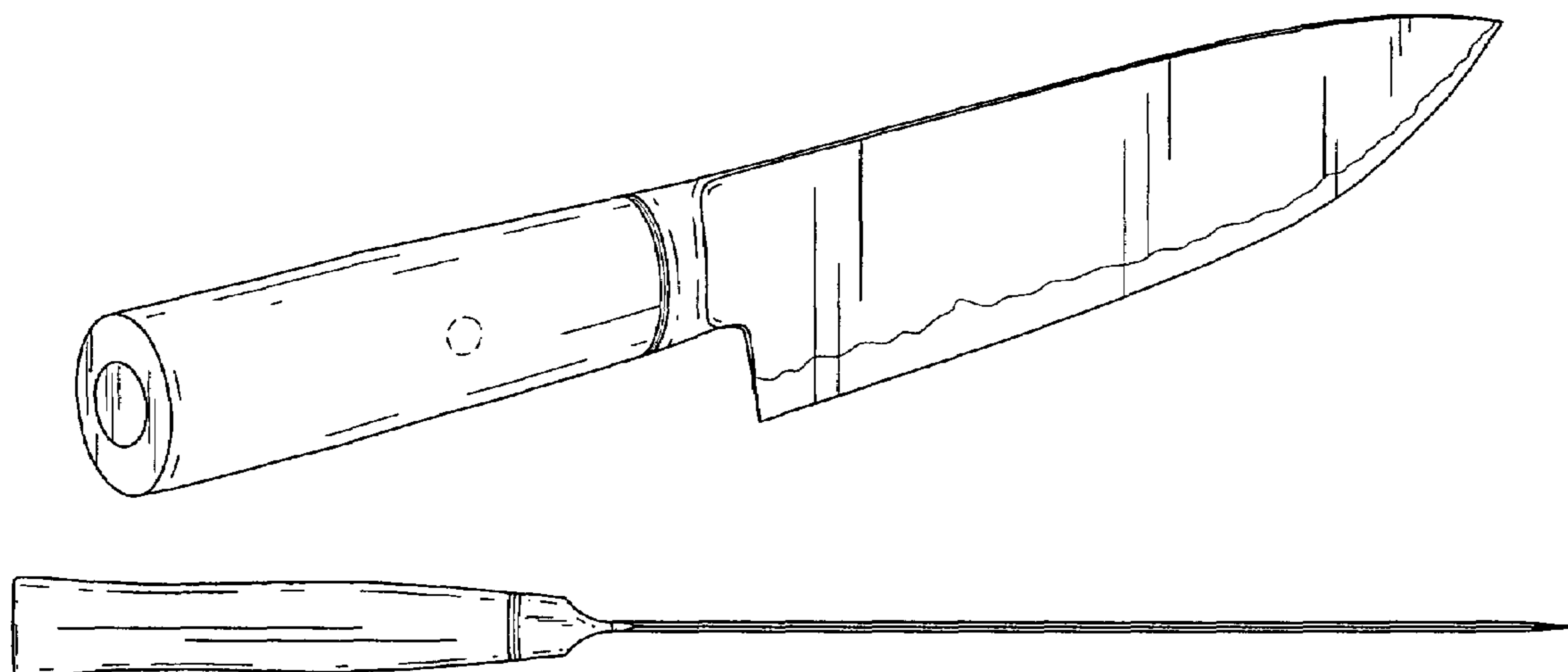
(57) **CLAIM**

The ornamental design for a knife, as shown and described.

DESCRIPTION

FIG. 1 is a back-side perspective view of a knife showing my new design.
FIG. 2 is a rear elevational view thereof.
FIG. 3 is a right side elevational view thereof.
FIG. 4 is a front elevational view thereof.
FIG. 5 is a left side elevational view thereof.
FIG. 6 is a bottom plan view thereof; and,
FIG. 7 is a top plan view thereof.
The broken lines shown in FIGS. 1 and 3 are for illustrative purposes only, and form no part of the claimed design.

1 Claim, 3 Drawing Sheets



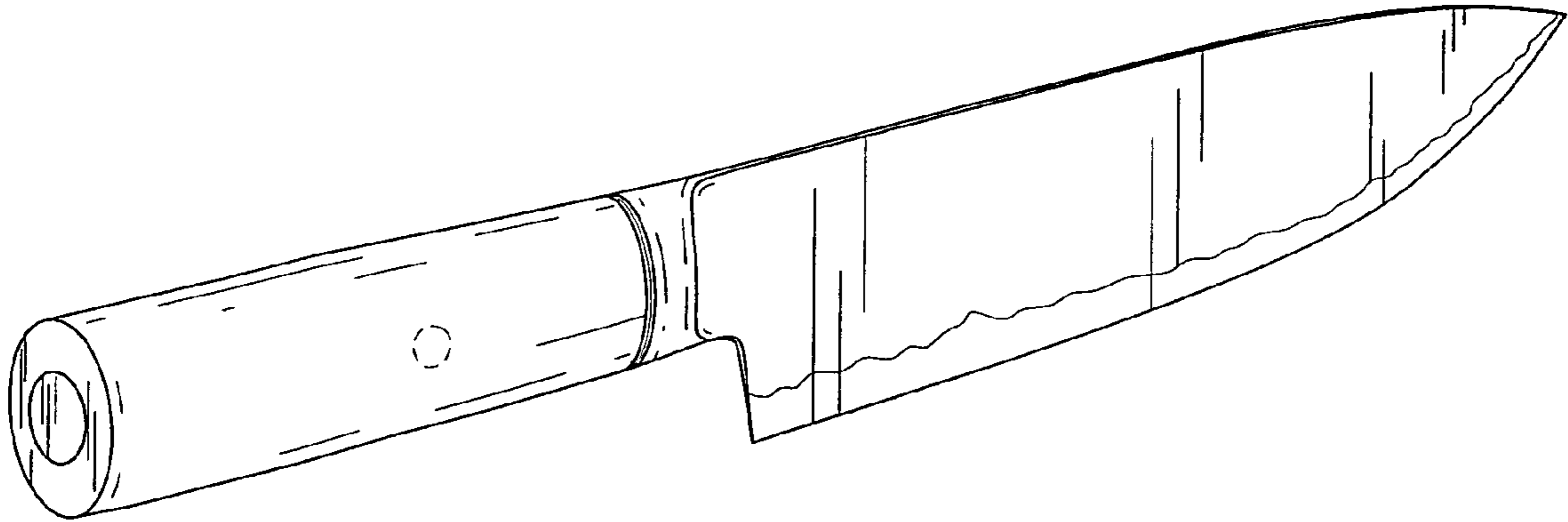


FIG. 1

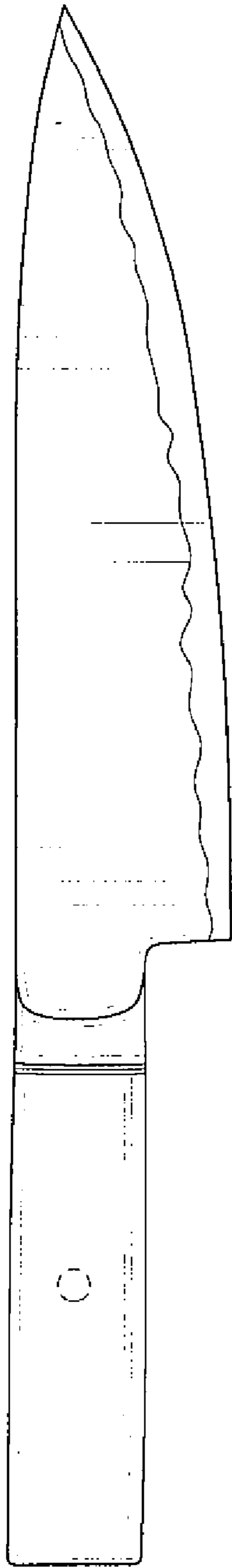


FIG. 3

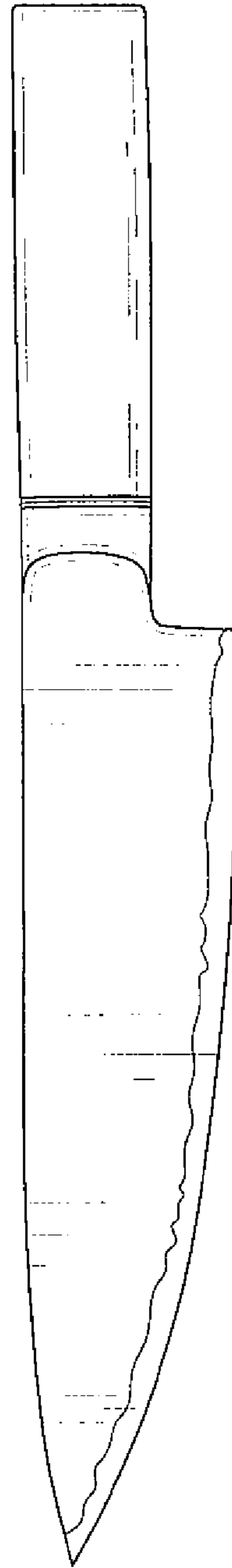


FIG. 5

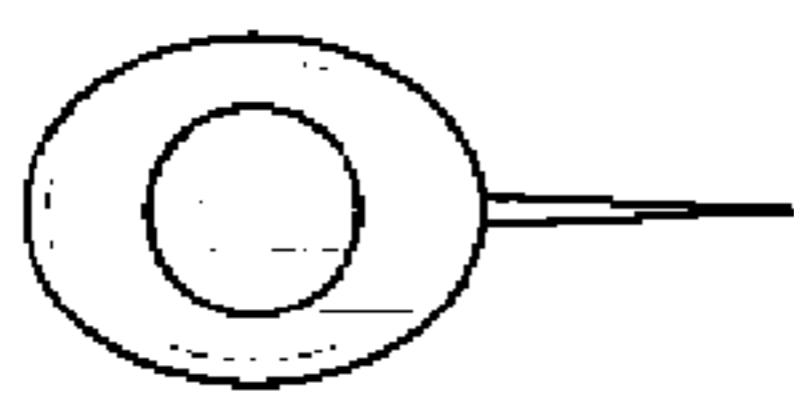


FIG. 2

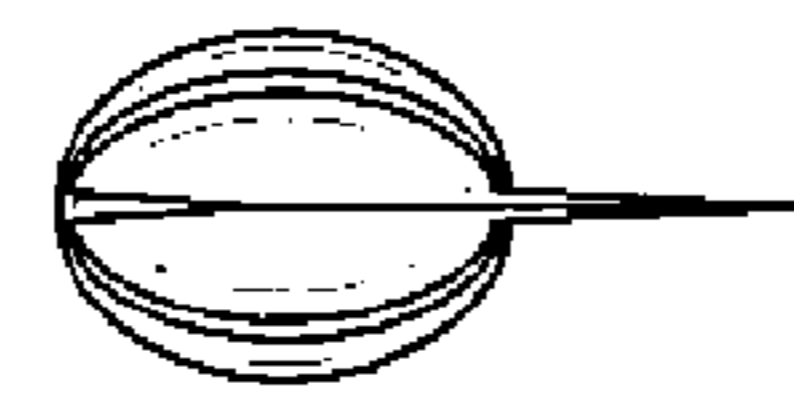


FIG. 4

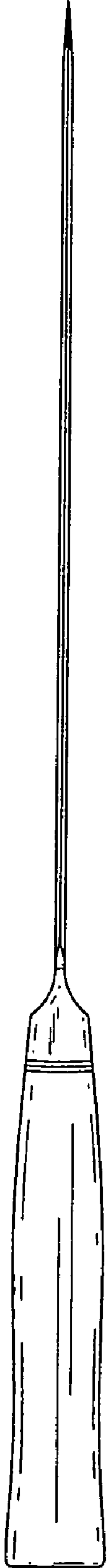


FIG. 6

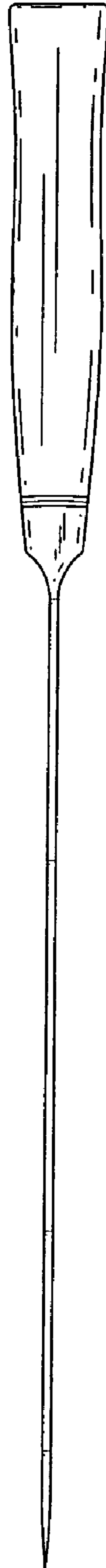


FIG. 7

UNITED STATES PATENT AND TRADEMARK OFFICE
CERTIFICATE OF CORRECTION

PATENT NO. : Des. 559,044 S
APPLICATION NO. : 29/257928
DATED : January 8, 2008
INVENTOR(S) : Takeshi Ono

Page 1 of 1

It is certified that error appears in the above-identified patent and that said Letters Patent is hereby corrected as shown below:

On the Title page item (73)

Assignee "Kai U.S.A., Ltd.," should read as -- Kai U.S.A., Ltd., DBA Kershaw Knives --

Signed and Sealed this

Sixteenth Day of September, 2008

A handwritten signature in black ink that reads "Jon W. Dudas". The signature is written in a cursive style with a large, stylized initial "J".

JON W. DUDAS

Director of the United States Patent and Trademark Office