



US00D559042S

(12) **United States Design Patent**  
**de Grootte et al.**

(10) **Patent No.:** **US D559,042 S**  
(45) **Date of Patent:** **\*\* \*Jan. 8, 2008**

(54) **FOOD CONTAINER**

FOREIGN PATENT DOCUMENTS

(75) Inventors: **Jan-Hendrik de Grootte**, Haaltert (BE);  
**Dimitri M. C. J. Backaert**, Moorsel  
(BE)

EP 1157648 6/2003

(Continued)

(73) Assignee: **Dart Industries Inc.**, Orlando, FL (US)

OTHER PUBLICATIONS

(\*\*) Term: **14 Years**

U.S. Appl. No. 29/264,919, de Grootte.

(Continued)

(21) Appl. No.: **29/264,918**

*Primary Examiner*—Terry A. Wallace

(22) Filed: **Aug. 22, 2006**

(74) *Attorney, Agent, or Firm*—John A. Doninger

(51) **LOC (8) Cl.** ..... **07-07**

(57) **CLAIM**

(52) **U.S. Cl.** ..... **D7/602**

(58) **Field of Classification Search** ..... D7/601,  
D7/602, 354, 629, 538–542; D9/424–432;  
220/4.21, 360, 366, 574–575, 780–806, 912,  
220/913

The ornamental design for a food container, as shown and described.

See application file for complete search history.

**DESCRIPTION**

(56) **References Cited**

U.S. PATENT DOCUMENTS

D188,396 S	7/1960	Bliss	
3,047,177 A	7/1962	Postras	
3,381,872 A	5/1968	Holder	
3,510,023 A	5/1970	Ullman	
3,516,572 A	6/1970	Davis	
3,809,280 A	5/1974	Park	
3,942,679 A	3/1976	Starr	
4,377,191 A	3/1983	Yamaguchi	
4,388,998 A	6/1983	Underwood	
D279,253 S	6/1985	Daenen	
D279,952 S *	8/1985	Daenen et al. ....	D7/629
D282,808 S *	3/1986	Daenen et al. ....	D7/602
4,819,824 A *	4/1989	Longbottom et al. ....	220/266
4,847,459 A	7/1989	Desai	
D312,968 S	12/1990	Wolff	
4,976,370 A *	12/1990	Cassel ..... 220/792	

FIG. 1 is a perspective view of a first representative embodiment of the food container showing our new design;

FIG. 2 is a right side elevation view of FIG. 1; the left side elevation view being identical thereto;

FIG. 3 is a front elevation view of FIG. 1; the rear elevation view being identical thereto;

FIG. 4 is a bottom plan view of FIG. 1;

FIG. 5 is a top plan view of FIG. 1;

FIG. 6 is a perspective view of a second representative embodiment of the food container showing my new design;

FIG. 7 is a right side elevation view of FIG. 6; the left side elevation view being identical thereto;

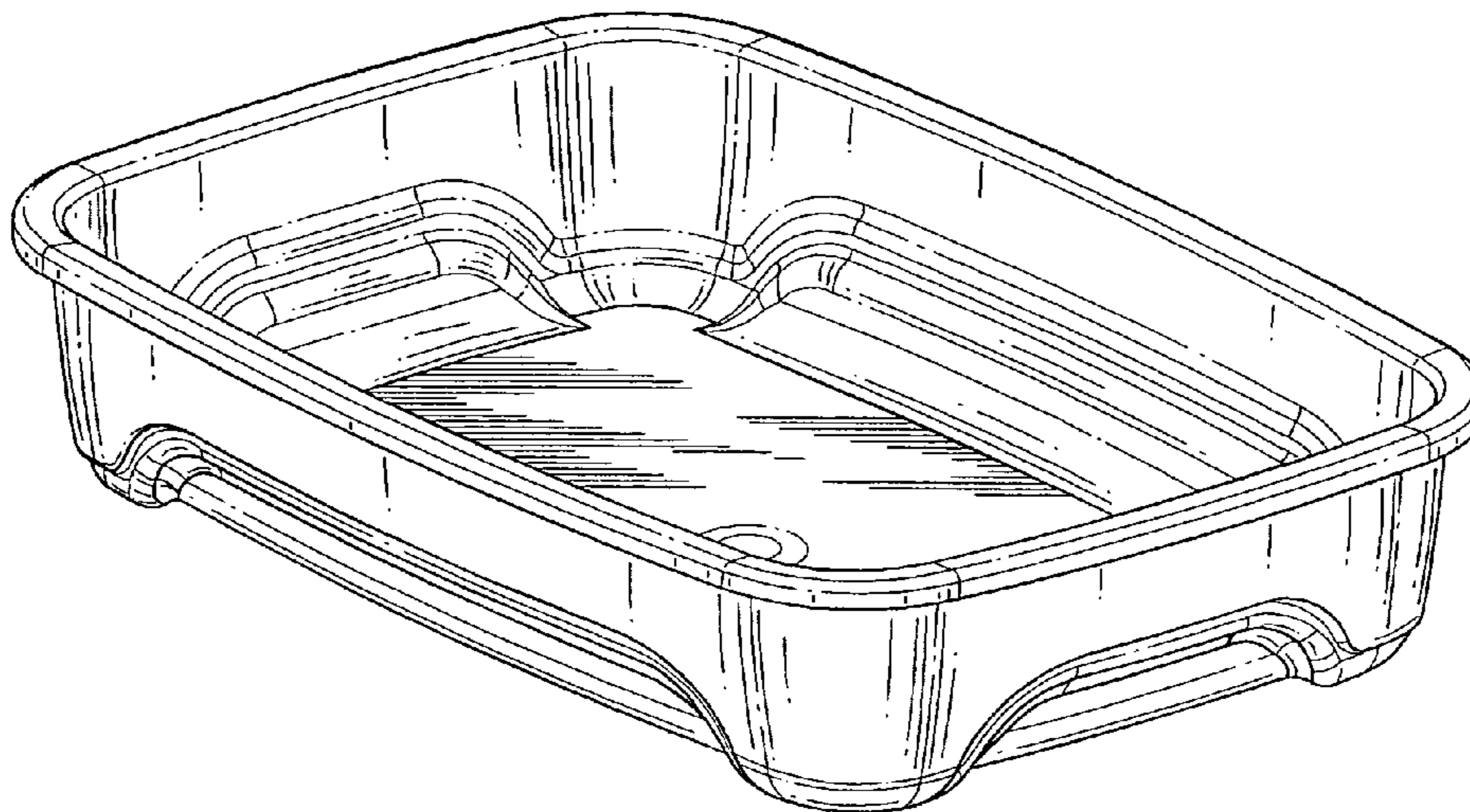
FIG. 8 is a front elevation view of FIG. 6; the rear elevation view being identical thereto;

FIG. 9 is a bottom plan view of FIG. 6; and,

FIG. 10 is a top plan view of FIG. 6.

(Continued)

**1 Claim, 4 Drawing Sheets**



# US D559,042 S

Page 2

## U.S. PATENT DOCUMENTS

D316,513 S \* 4/1991 Wolff ..... D9/431  
5,172,652 A \* 12/1992 Dobrin et al. .... 119/165  
5,201,438 A 4/1993 Norwood  
5,258,212 A 11/1993 Tomaru  
D348,805 S \* 7/1994 Cautereels ..... D7/602  
5,398,908 A 3/1995 Kienle  
D363,663 S \* 10/1995 Plater ..... D9/425  
5,642,826 A 7/1997 Melrose  
D384,555 S \* 10/1997 Bradley ..... D7/545  
D415,935 S \* 11/1999 Martinez ..... D7/602  
D417,367 S \* 12/1999 Laib ..... D7/602  
6,006,913 A 12/1999 Ludemann  
D428,310 S \* 7/2000 Zettle et al. .... D7/629  
D429,442 S 8/2000 Laib  
6,094,889 A 8/2000 Van Loon  
6,170,691 B1 1/2001 Morris, Sr.  
6,260,729 B1 7/2001 Mitchell  
6,423,420 B1 7/2002 Brant  
6,492,475 B1 12/2002 Egashira  
6,503,637 B1 1/2003 Van Loon  
6,736,285 B2 5/2004 Stewart-Stand  
D505,840 S \* 6/2005 Schultz et al. .... D7/629  
RE38,770 E 8/2005 Gilbert  
6,953,828 B2 10/2005 Dharmarajan  
7,011,228 B2 3/2006 Ordiway  
7,015,283 B2 3/2006 Schauder  
7,051,895 B2 5/2006 Toussant et al.

2003/0015450 A1 1/2003 Ferretti  
2003/0155365 A1 8/2003 Llorente Lecue  
2003/0176603 A1 9/2003 Ommundsen  
2003/0190393 A1 10/2003 Johnson  
2004/0138392 A1 7/2004 Jiang  
2004/0204547 A1 10/2004 Dharmarajan  
2004/0206765 A1 10/2004 McMahon, III  
2004/0220359 A1 11/2004 Abhari  
2004/0249046 A1 12/2004 Abhari  
2005/0072039 A1 4/2005 Wong  
2005/0107533 A1 5/2005 Schauder  
2005/0130544 A1 6/2005 Cheng  
2005/0197464 A1 9/2005 Handlin, Jr.  
2006/0025545 A1 2/2006 Brant  
2006/0032852 A1 2/2006 Cai  
2006/0032858 A1 2/2006 Lee  
2006/0045949 A1 3/2006 McLaughlin

## FOREIGN PATENT DOCUMENTS

EP 1336572 8/2003

## OTHER PUBLICATIONS

U.S. Appl. No. 11/507,654, de Groote.  
Emsa Vivario Container and Seal: Copies of the front, sides, and  
back of package, and two photographs of the container and seal.

\* cited by examiner

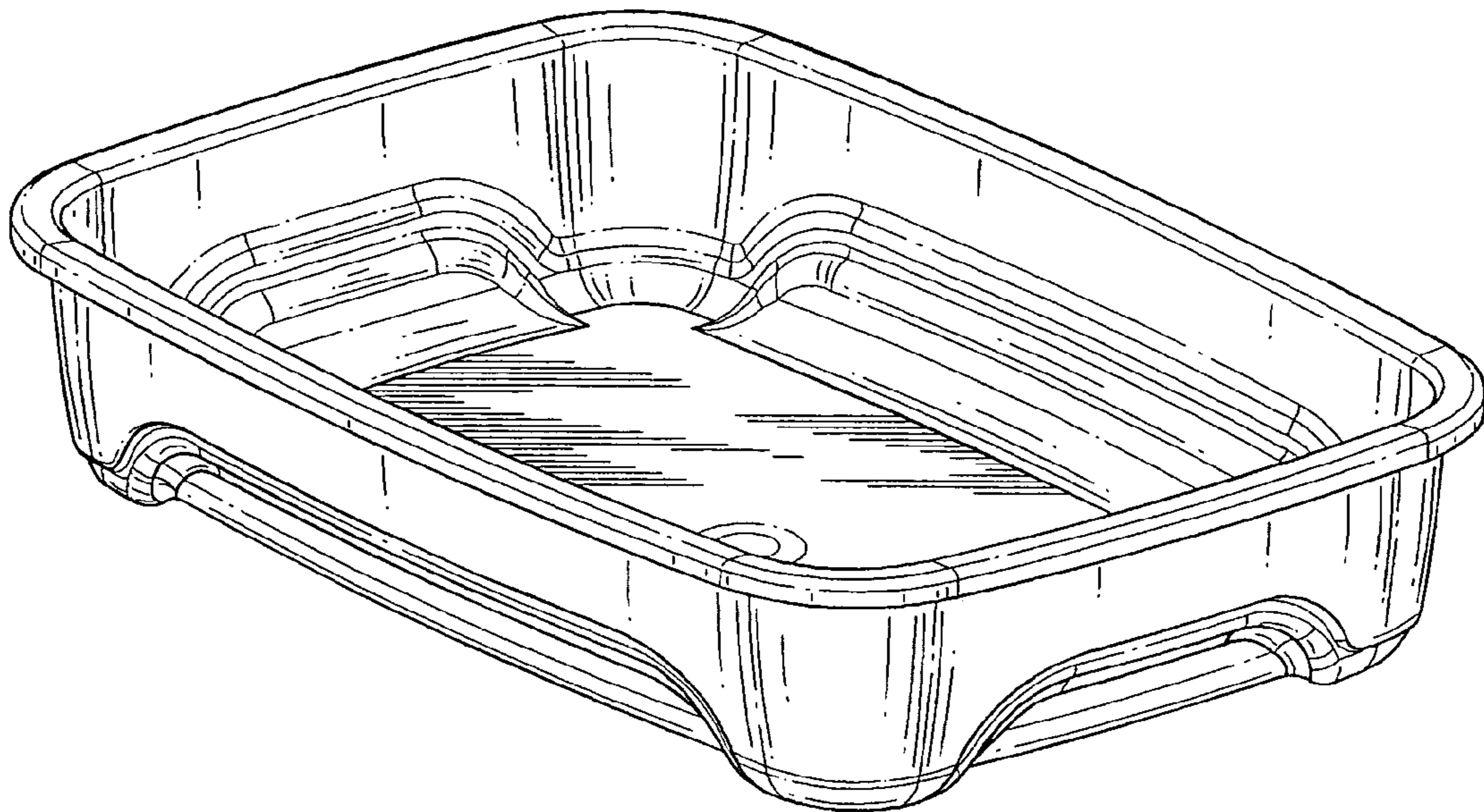


FIG. 1

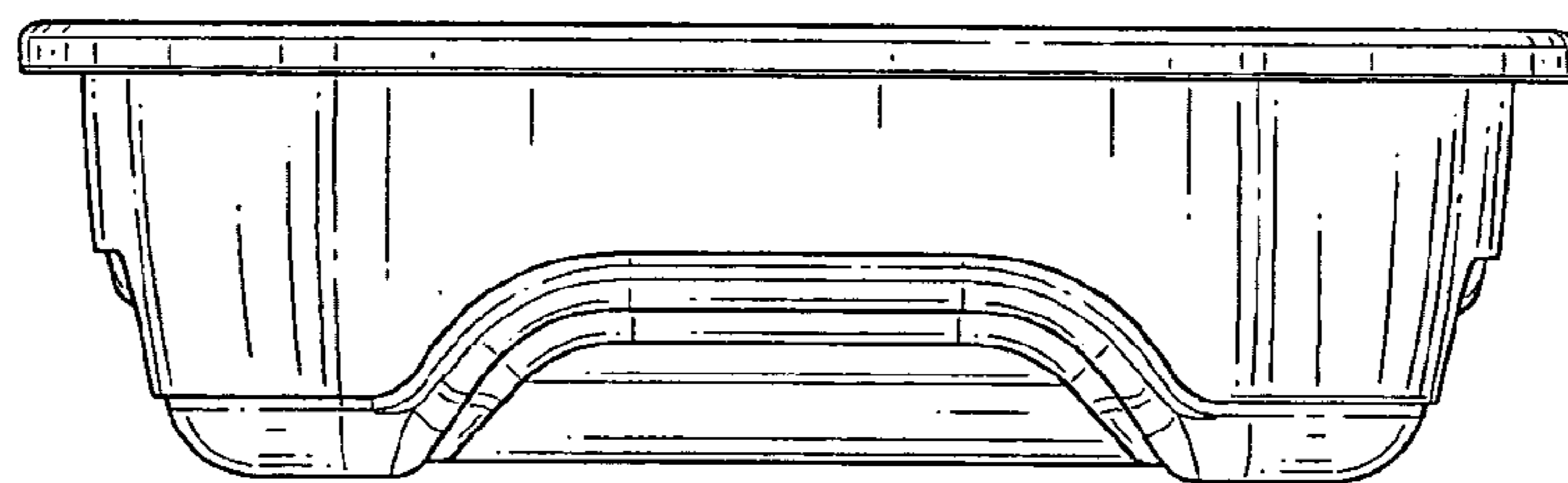


FIG. 2

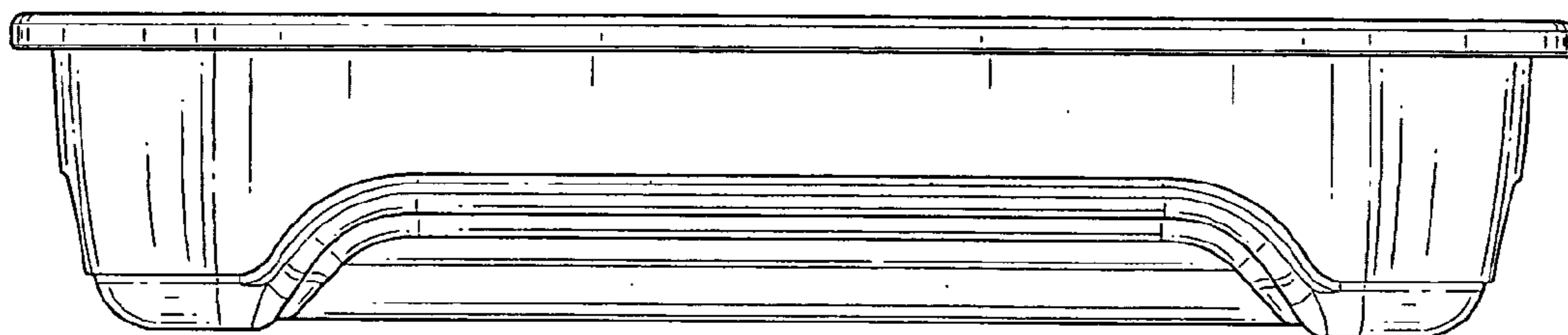


FIG. 3

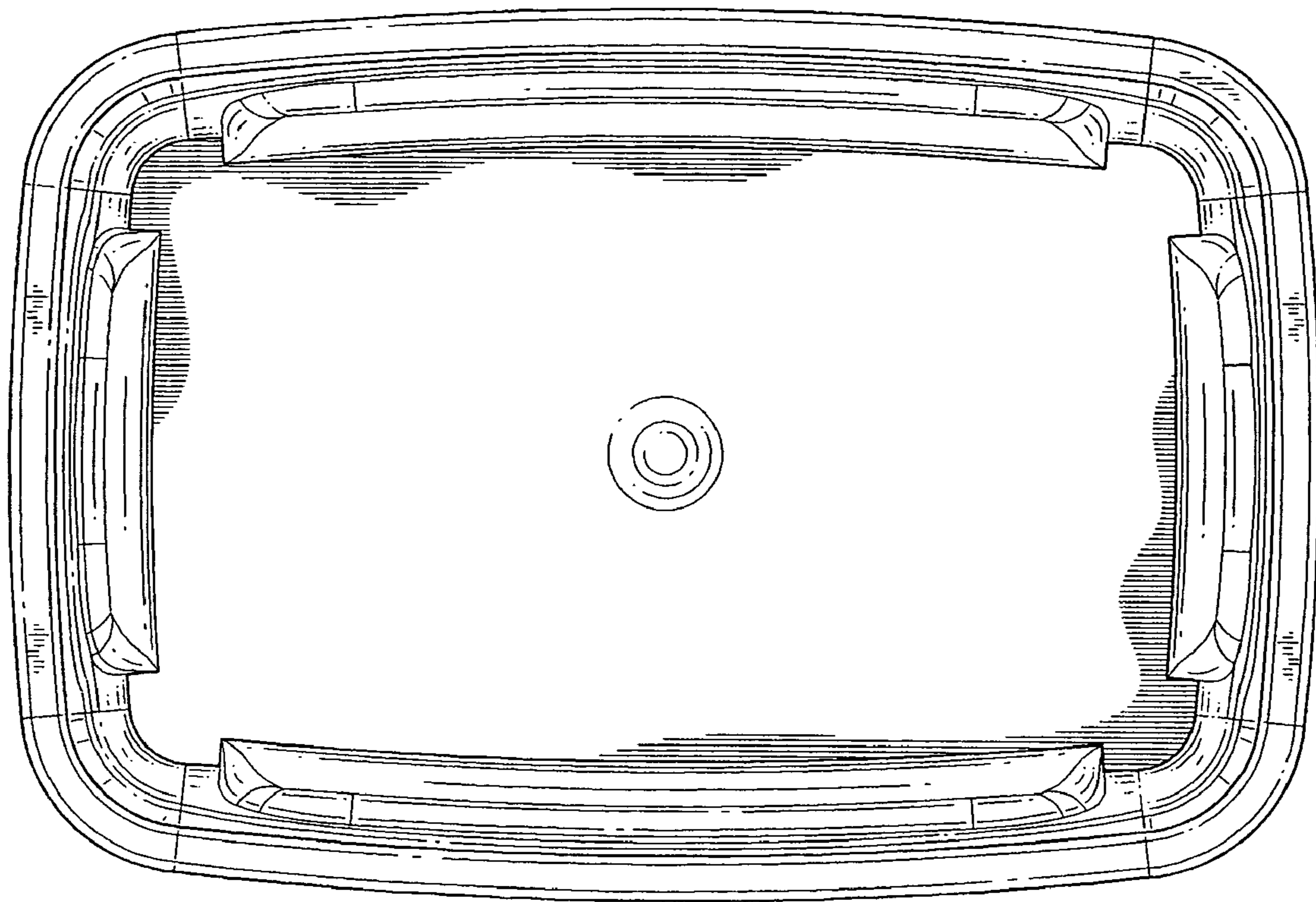


FIG. 4

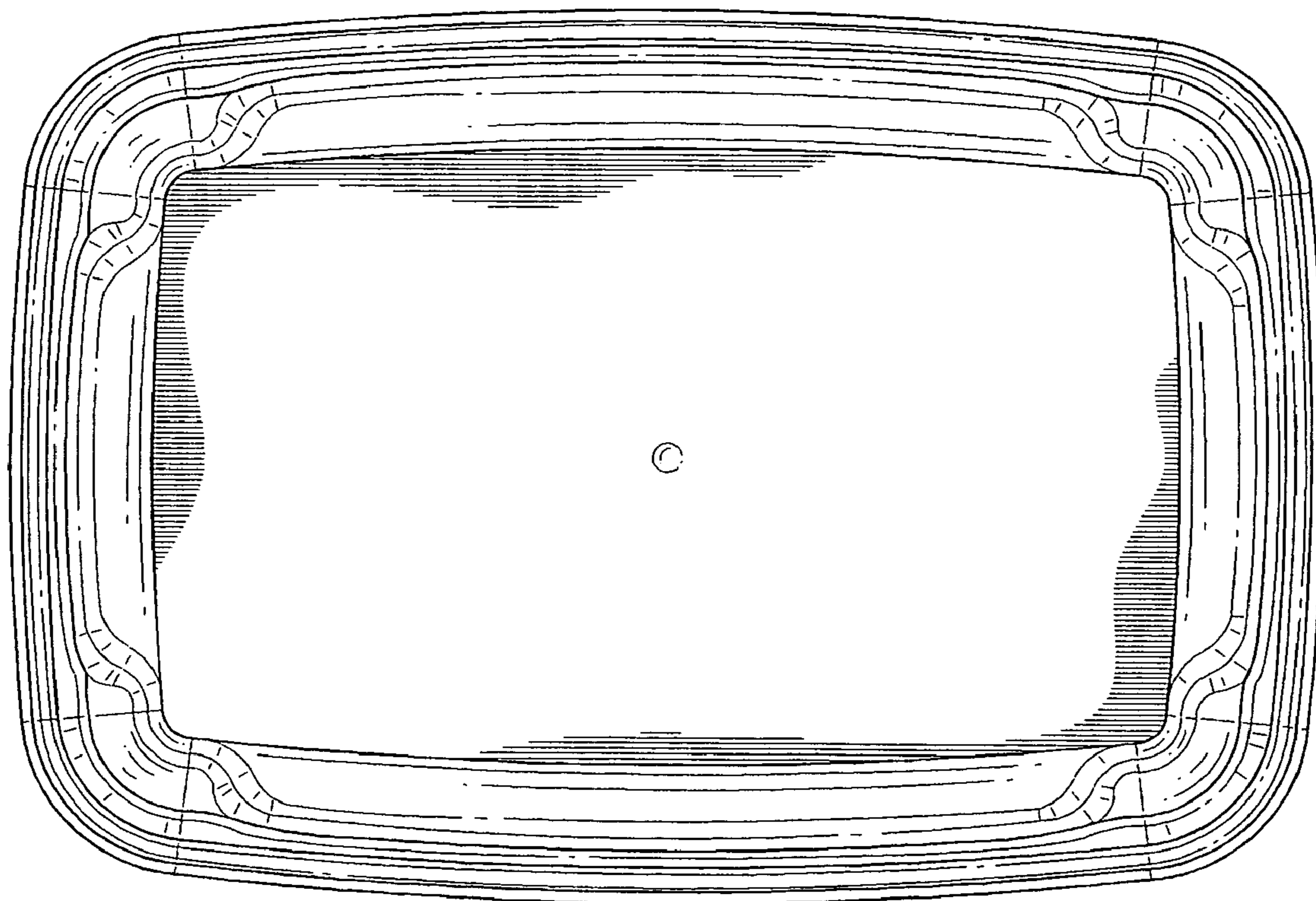


FIG. 5

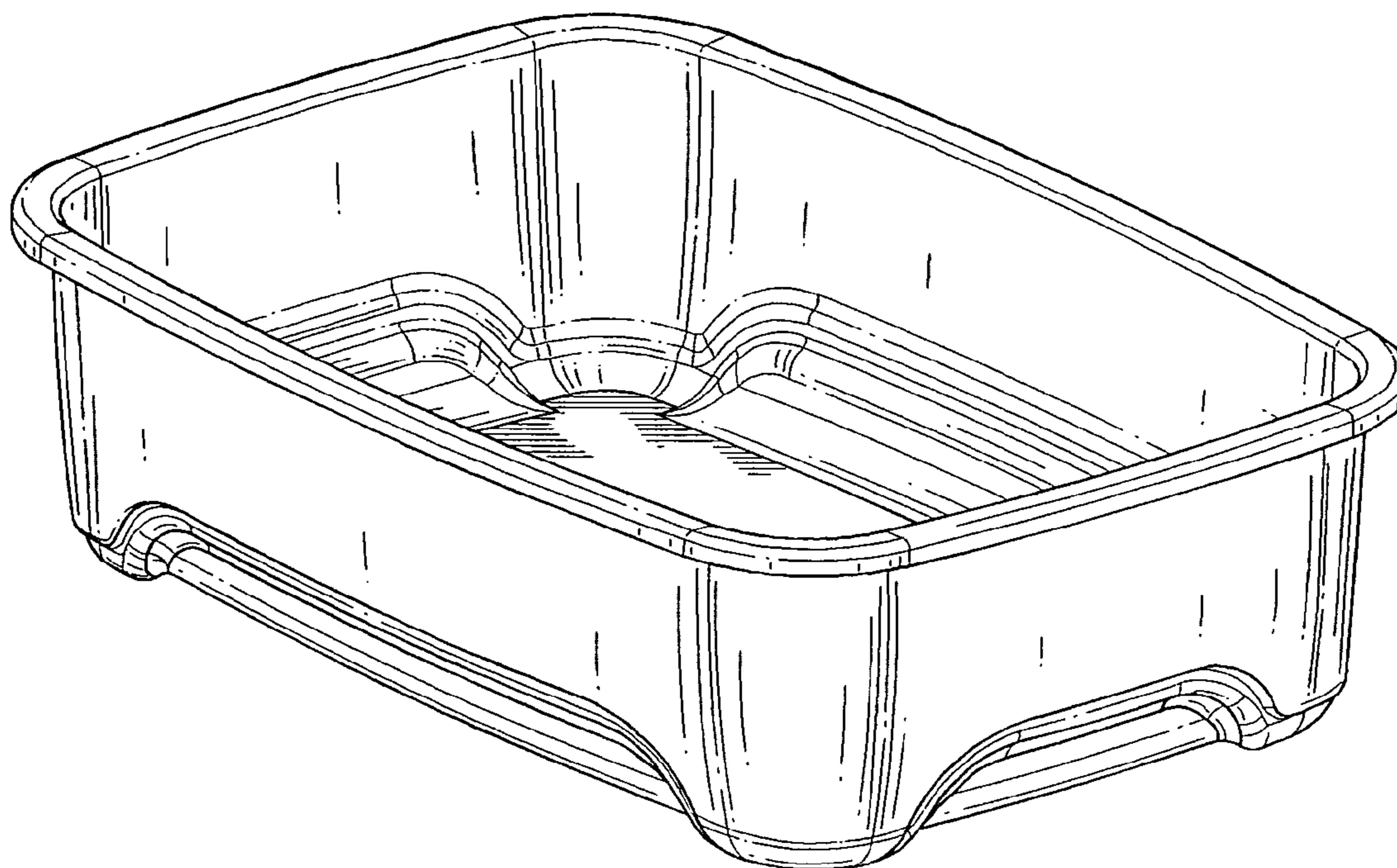


FIG. 6

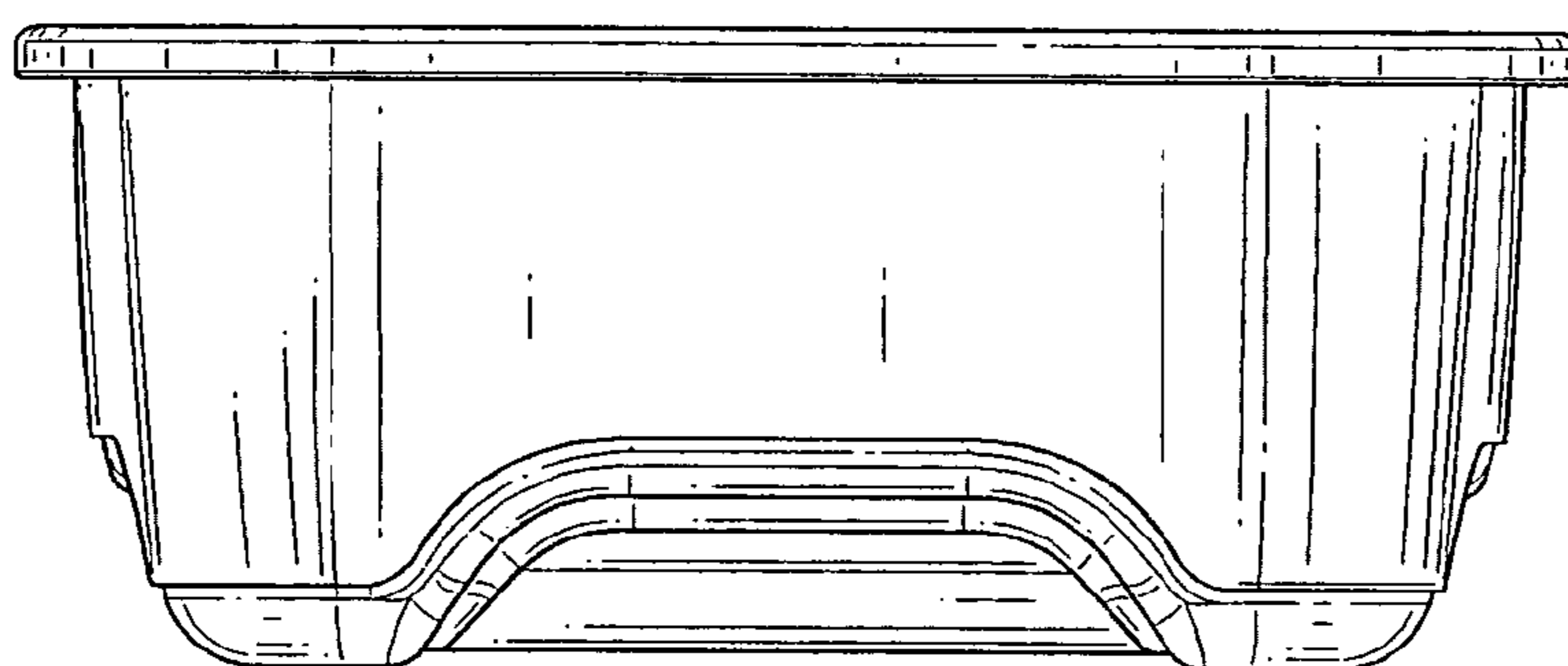


FIG. 7

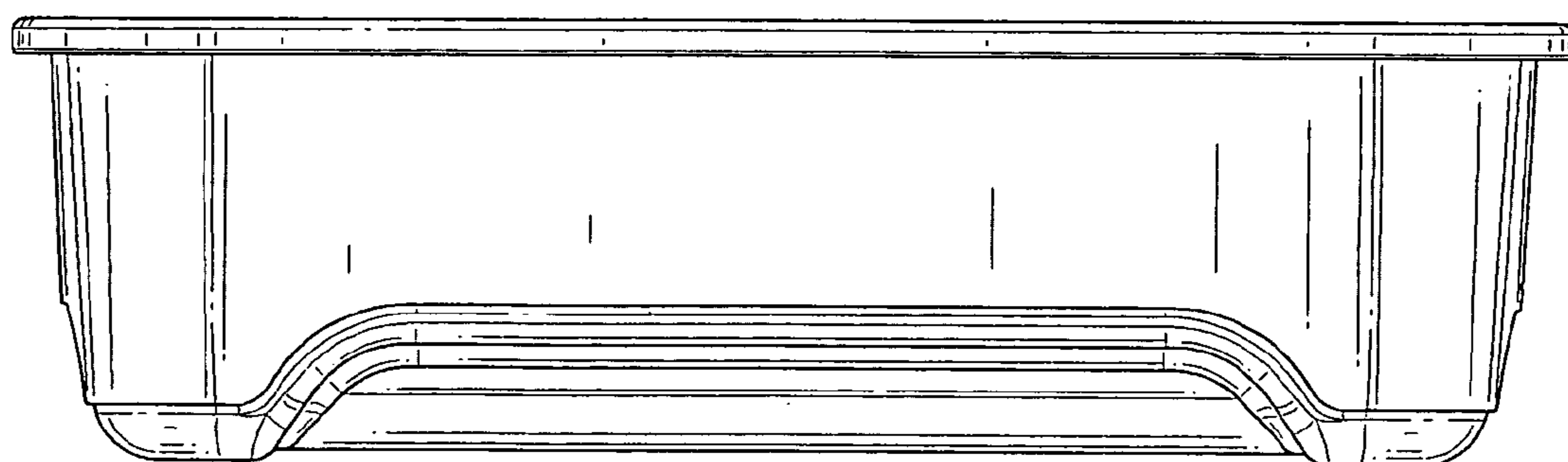


FIG. 8

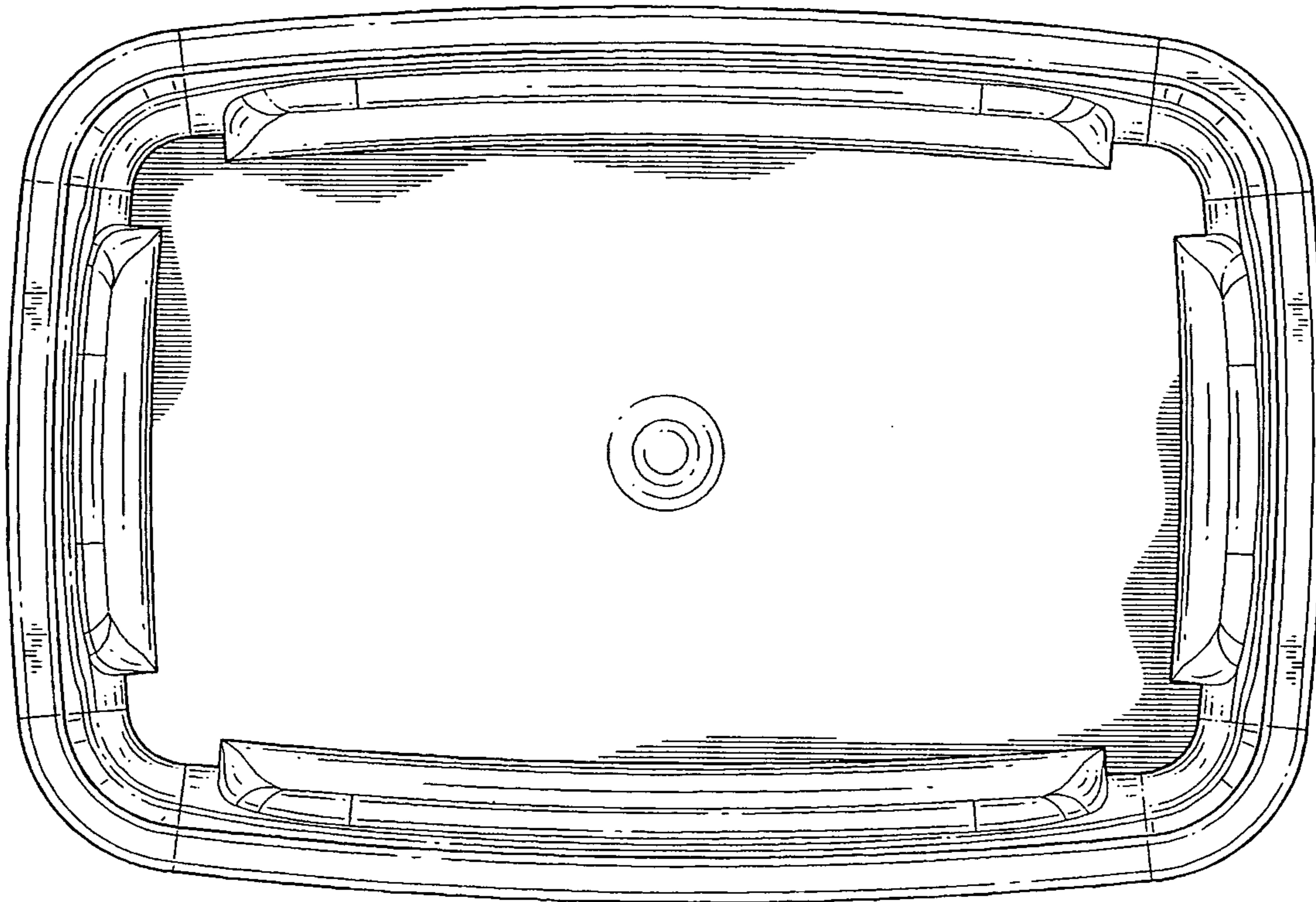


FIG. 9

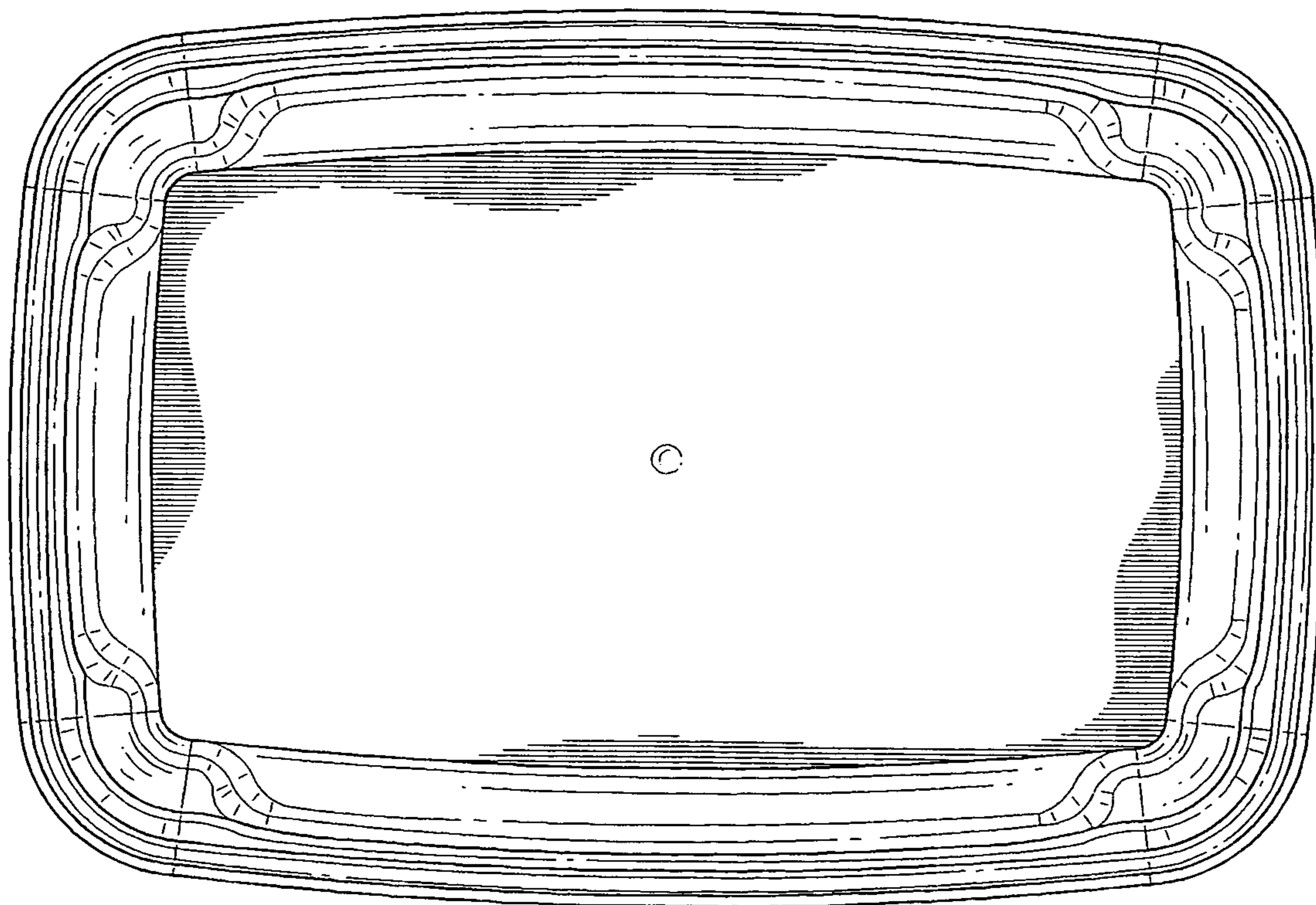


FIG. 10