



US00D559039S

(12) **United States Design Patent**
Freeman

(10) **Patent No.:** **US D559,039 S**

(45) **Date of Patent:** **** Jan. 8, 2008**

(54) **BEVERAGE CUP**

(76) **Inventor:** **Richard S. Freeman**, 9532 B State Rd., Philadelphia, PA (US) 19114

(**) **Term:** **14 Years**

(21) **Appl. No.:** **29/262,192**

(22) **Filed:** **Jun. 29, 2006**

(51) **LOC (8) Cl.** **07-01**

(52) **U.S. Cl.** **D7/523; D7/509**

(58) **Field of Classification Search** D7/396.2,
D7/500, 509, 510, 523, 524, 526-528, 530-532,
D7/540, 565, 584, 900; D9/500, 502, 516,
D9/519, 549, 555, 776, 778; D34/1; 215/10,
215/387, DIG. 7; 220/495.04, 560, 592.16,
220/592.17, 703; 226/406; 229/400; 383/110
See application file for complete search history.

(56) **References Cited**

U.S. PATENT DOCUMENTS

D105,431 S * 7/1937 Cobel D7/531
3,137,431 A * 6/1964 Crouse et al. 229/400
D211,514 S * 6/1968 Amberg D9/429
D239,151 S * 3/1976 Lundin D7/523
D333,196 S * 2/1993 Dziersk et al. D34/1

D340,385 S * 10/1993 Durand D7/509
D424,377 S * 5/2000 Wyche D7/523
6,382,449 B1 * 5/2002 Kazmierski et al. 220/4.03
D508,372 S * 8/2005 Martinez-Lopez D7/609
D526,847 S * 8/2006 Freeman D7/523
D527,583 S * 9/2006 Freeman D7/523
D536,148 S * 1/2007 Schiefer et al. D34/1
D536,930 S * 2/2007 Li D7/533

* cited by examiner

Primary Examiner—Philip S. Hyder

Assistant Examiner—Cynthia Underwood

(74) *Attorney, Agent, or Firm*—LaMorte & Associates

(57) **CLAIM**

The ornamental design for a beverage cup, as shown and described.

DESCRIPTION

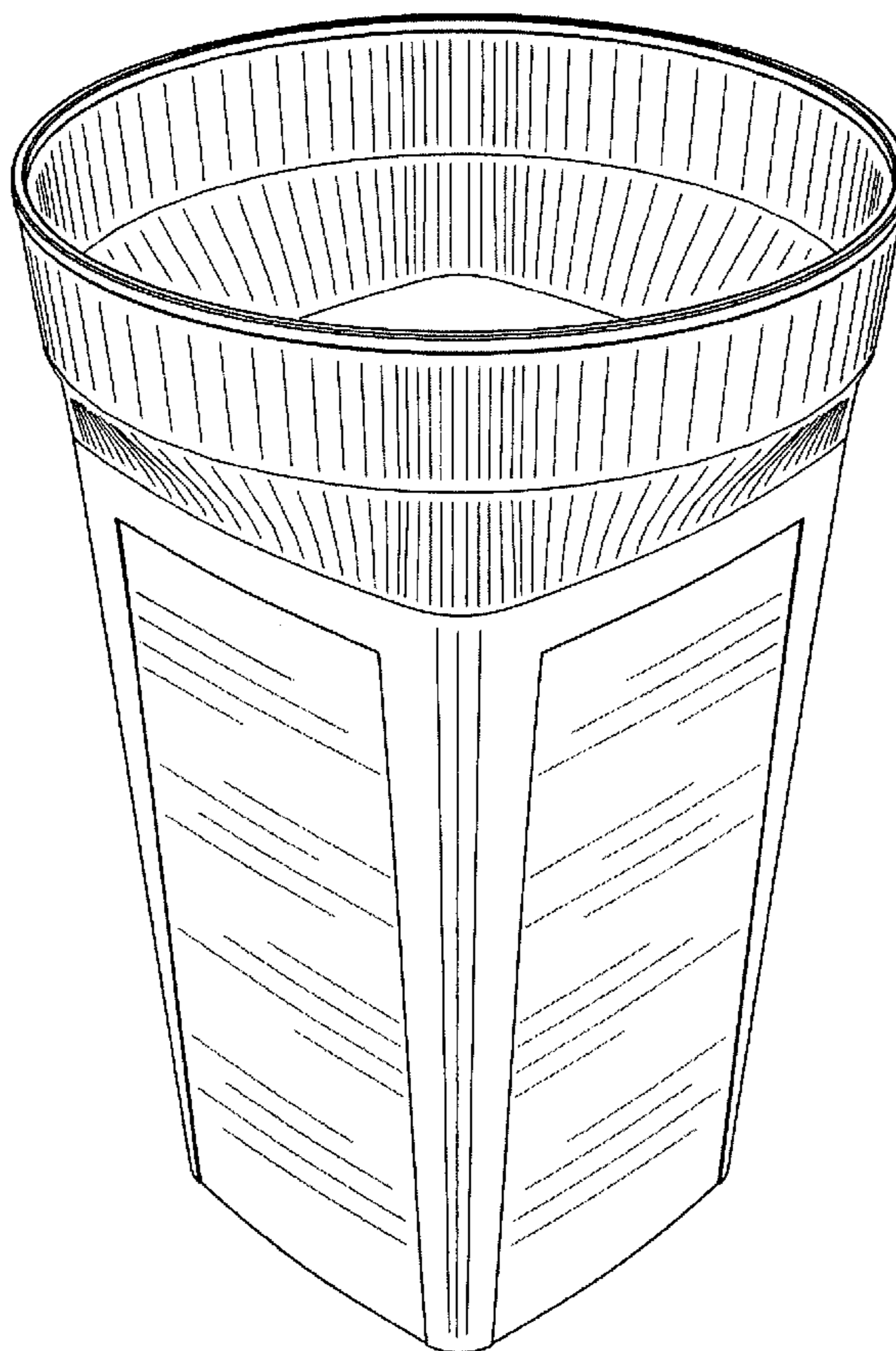
FIG. 1 is a perspective view of the beverage cup

FIG. 2 is a front view thereof, the back view, right side view and left side view being the same;

FIG. 3 is a top view thereof; and,

FIG. 4 is a bottom view thereof.

1 Claim, 4 Drawing Sheets



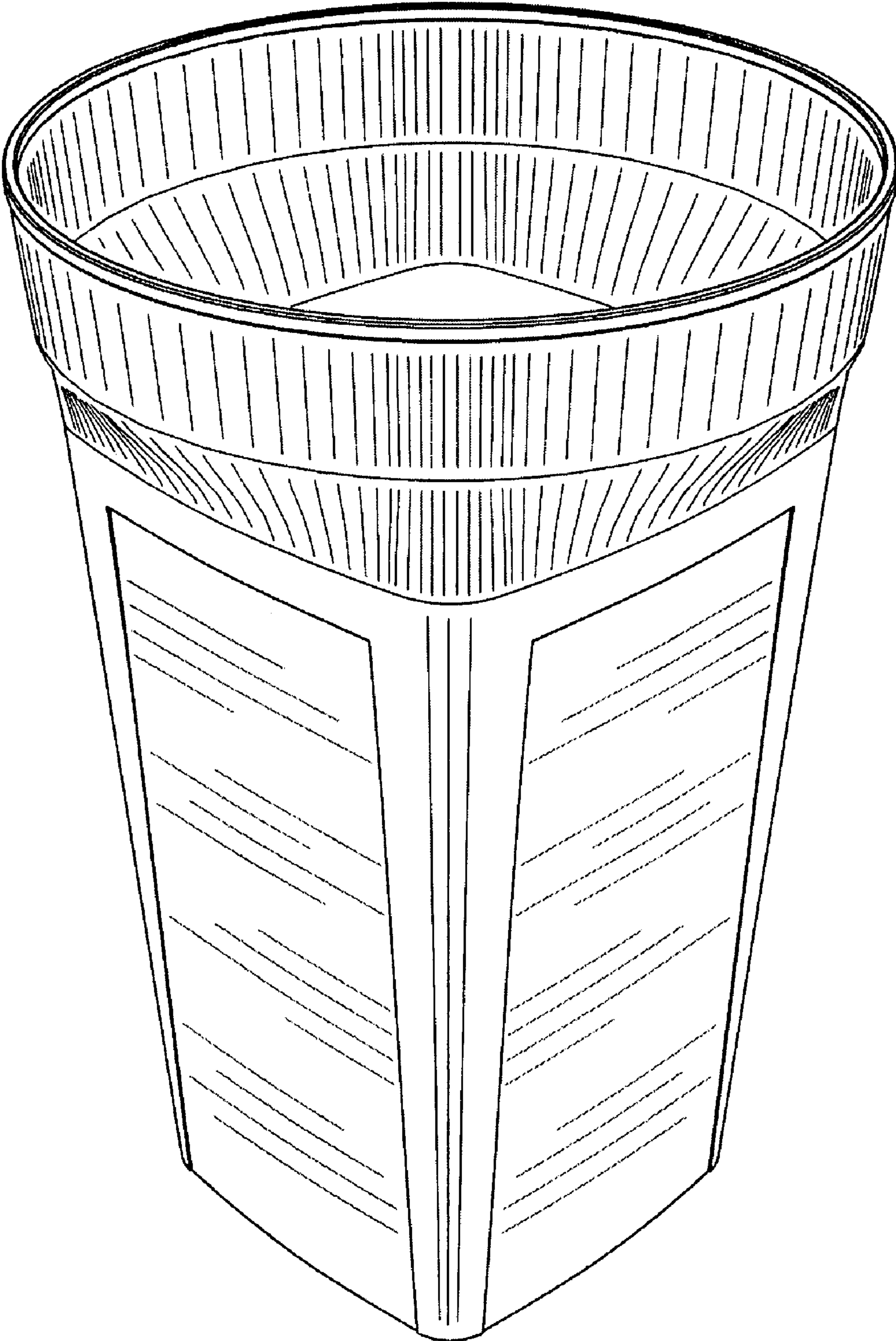


Fig. 1

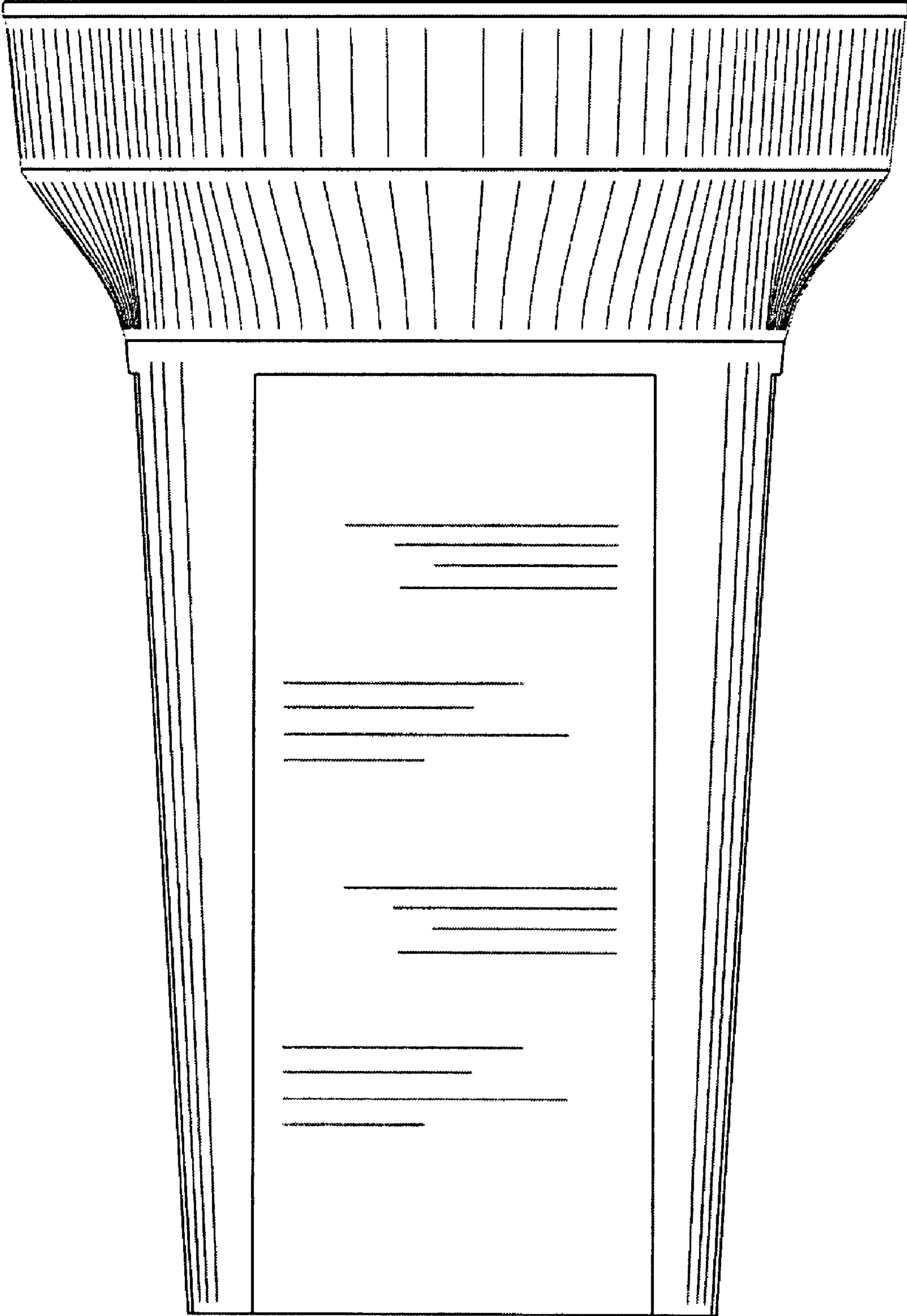


Fig. 2

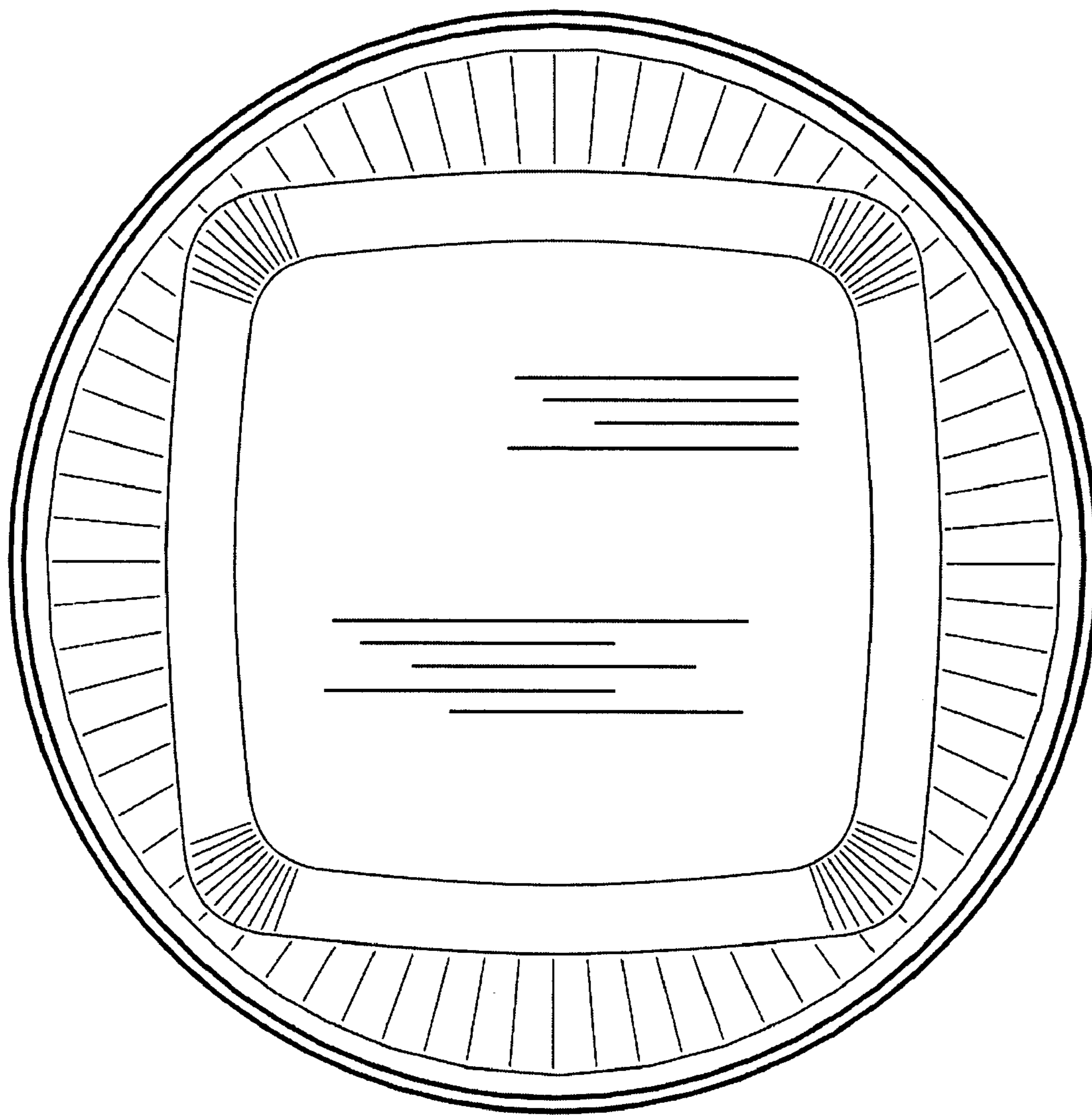


Fig. 3

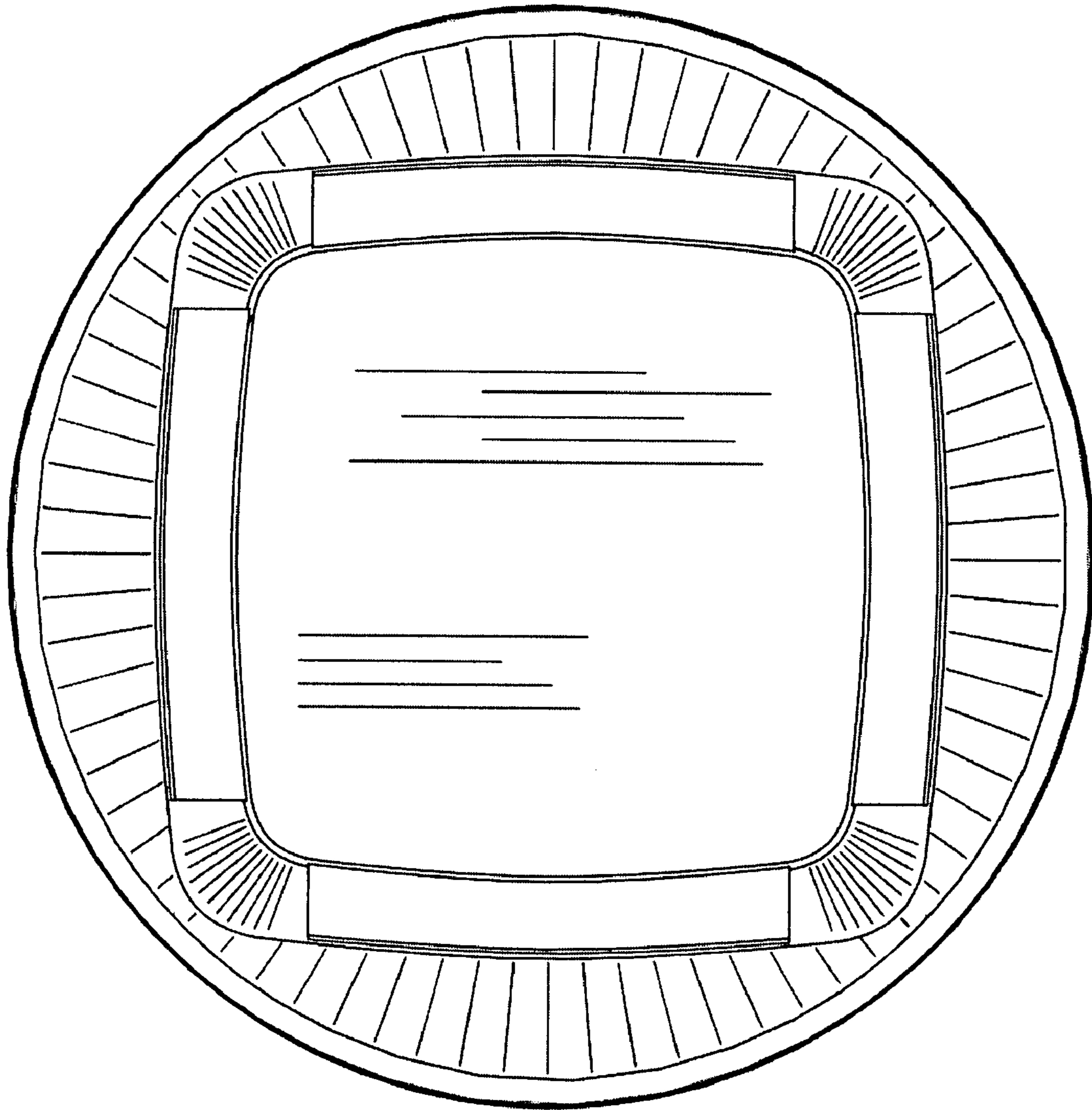


Fig. 4