



US00D559034S

(12) **United States Design Patent**
Bodum

(10) **Patent No.:** **US D559,034 S**

(45) **Date of Patent:** **** Jan. 8, 2008**

(54) **MILK FROTHER**

(75) Inventor: **Jørgen Bodum**, St. Niklausen (CH)

(73) Assignee: **Pi-Design AG**, Triengen (CH)

(**) Term: **14 Years**

(21) Appl. No.: **29/277,694**

(22) Filed: **Mar. 7, 2007**

(30) **Foreign Application Priority Data**

Sep. 7, 2006 (DK) DA 2006 00244

(51) **LOC (8) Cl.** **31-00**

(52) **U.S. Cl.** **D7/376**

(58) **Field of Classification Search** D7/300.1,
D7/306, 309, 313, 317, 319, 372-386, 412,
D7/413, 665; 99/287, 509-511; 241/30,
241/33, 37.5, 101.01-101.02, 166-169.1,
241/274-278.2, 282.1-282.2, 285.1-285.3,
241/291, 292.1, 301; 318/443; 366/64-67,
366/98, 100, 129, 191, 197-201, 205-207,
366/219-221, 241-254, 279-292, 325.94,
366/330.4, 341-343; 426/474

See application file for complete search history.

(56) **References Cited**

U.S. PATENT DOCUMENTS

- D181,143 S * 10/1957 Gundelfinger D7/376
- 5,461,968 A * 10/1995 Portman 99/287
- D372,627 S * 8/1996 Ireland D7/319
- D382,764 S * 8/1997 Brady D7/317
- D405,642 S * 2/1999 Toriba D7/319

- D410,170 S * 5/1999 Sheu D7/319
- 5,939,122 A * 8/1999 Brady 426/474
- D413,480 S * 9/1999 Joergensen D7/317
- D426,742 S * 6/2000 Gartz et al. D7/376
- D449,760 S * 10/2001 Yeh D7/319
- D449,957 S * 11/2001 Yeh D7/319
- D463,946 S * 10/2002 Yeh D7/309
- D514,883 S * 2/2006 Tardif et al. D7/412

* cited by examiner

Primary Examiner—Caron D. Veynar

Assistant Examiner—Ricky Pham

(74) *Attorney, Agent, or Firm*—Cowan, Liebowitz & Latman, PC

(57) **CLAIM**

The ornamental design for a milk frother, as shown and described.

DESCRIPTION

FIG. 1 is a perspective view of a milk frother showing my new design;

FIG. 2 is a front view thereof;

FIG. 3 is a back view thereof;

FIG. 4 is a right side view thereof;

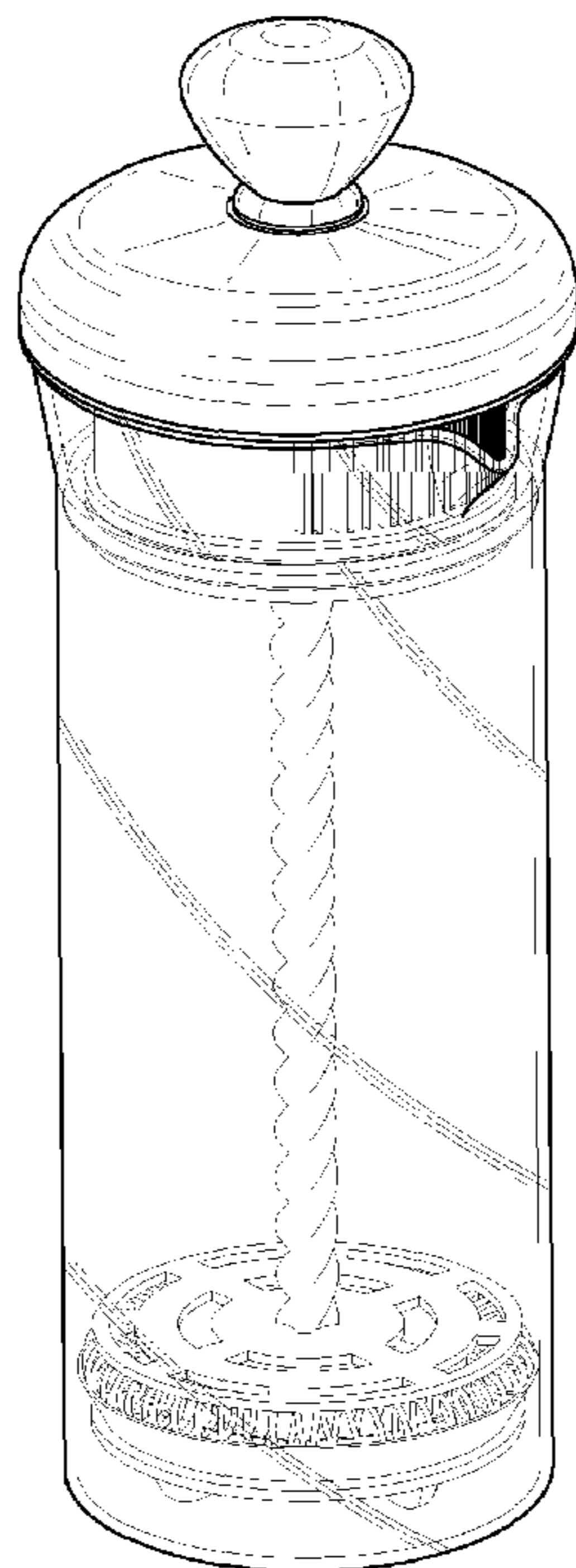
FIG. 5 is a left side view thereof;

FIG. 6 is a top view thereof;

FIG. 7 is a bottom view thereof; and,

FIG. 8 is a cross-sectional view thereof taken along line 8—8 of FIG. 6.

1 Claim, 7 Drawing Sheets



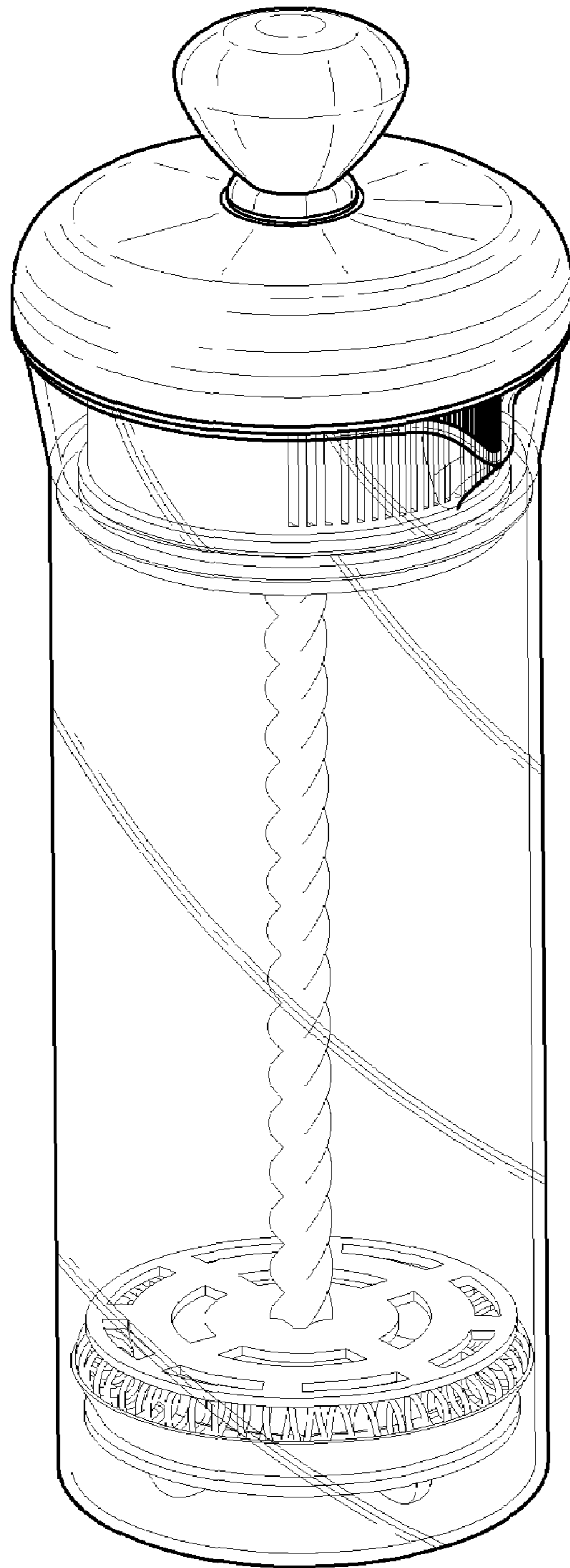


FIG. 1

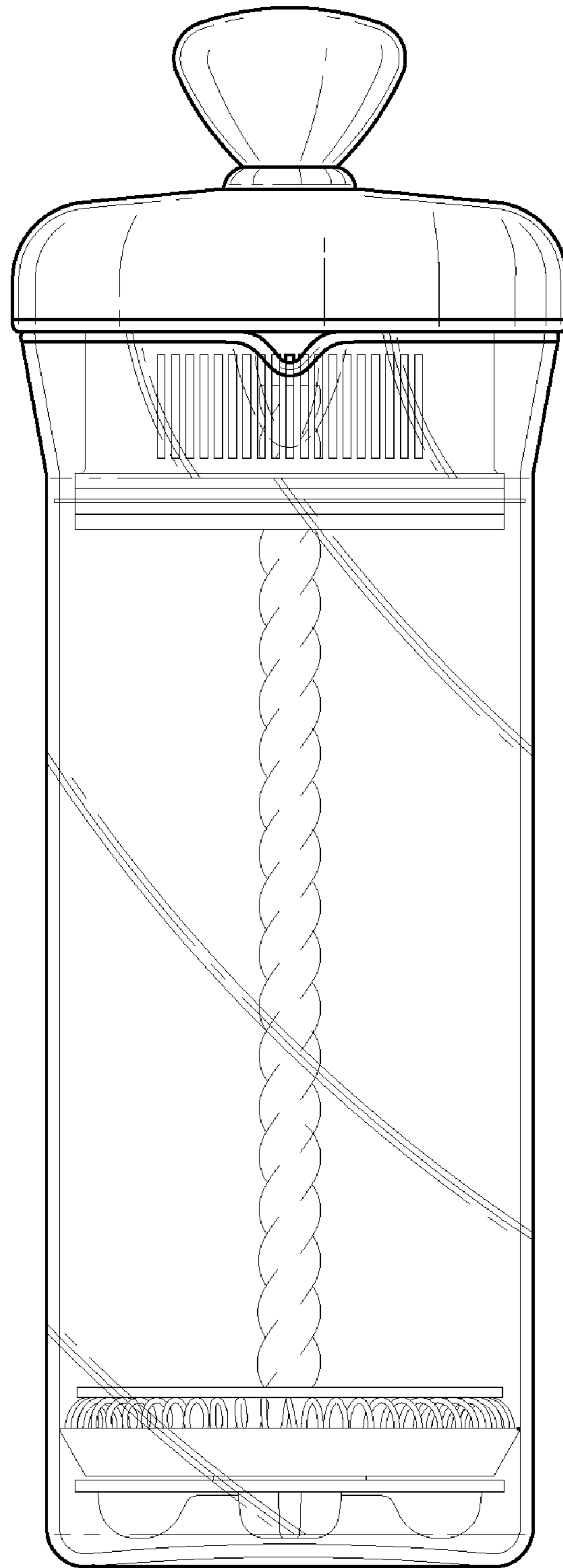


FIG. 2

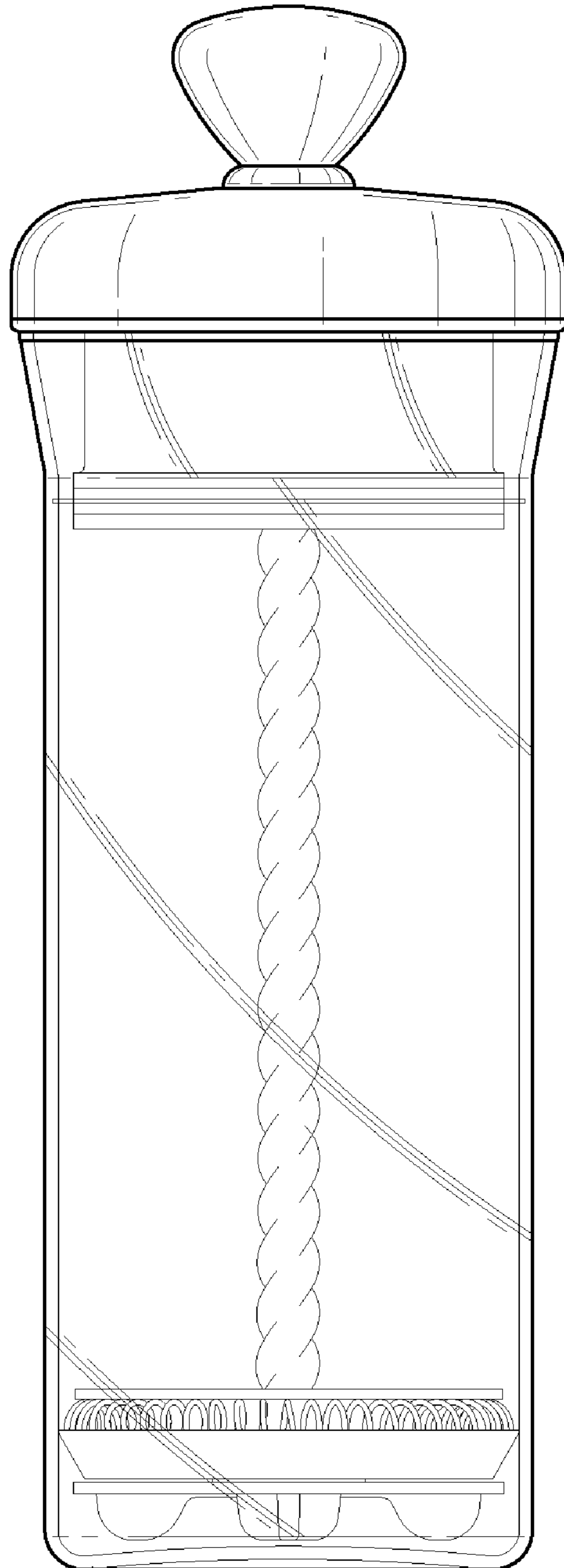


FIG. 3

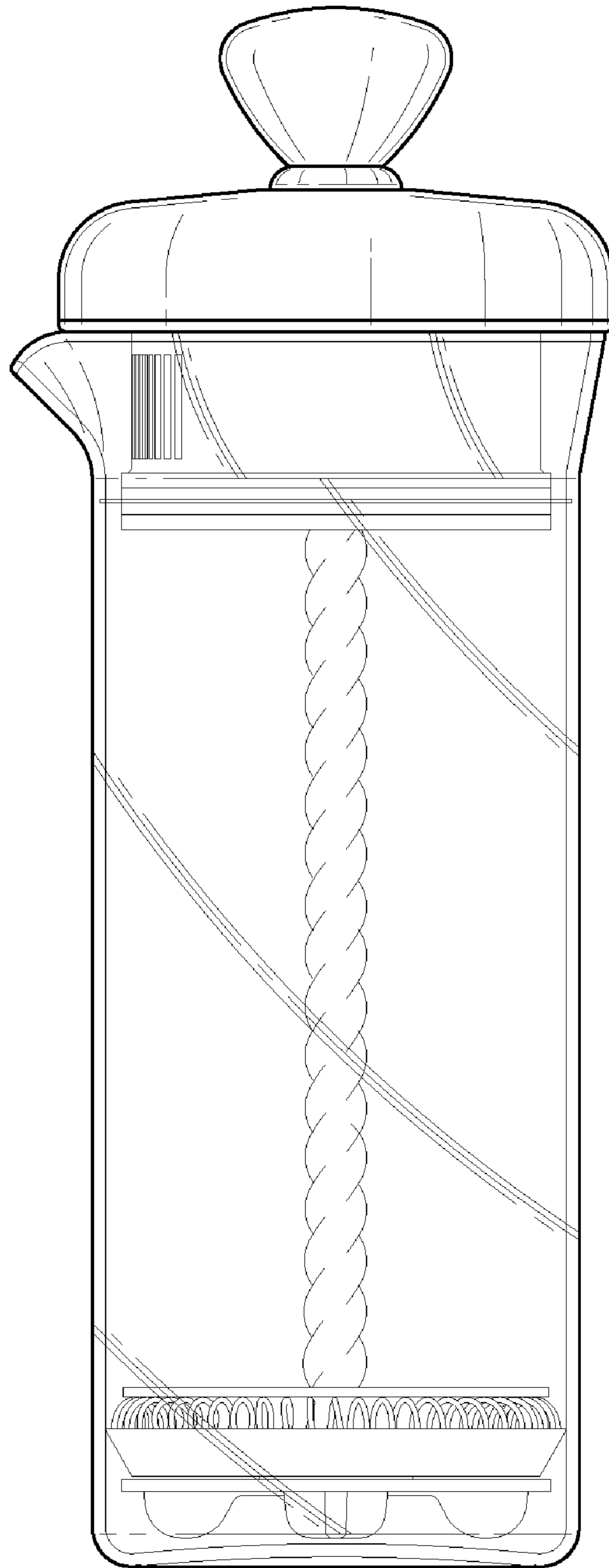


FIG. 4

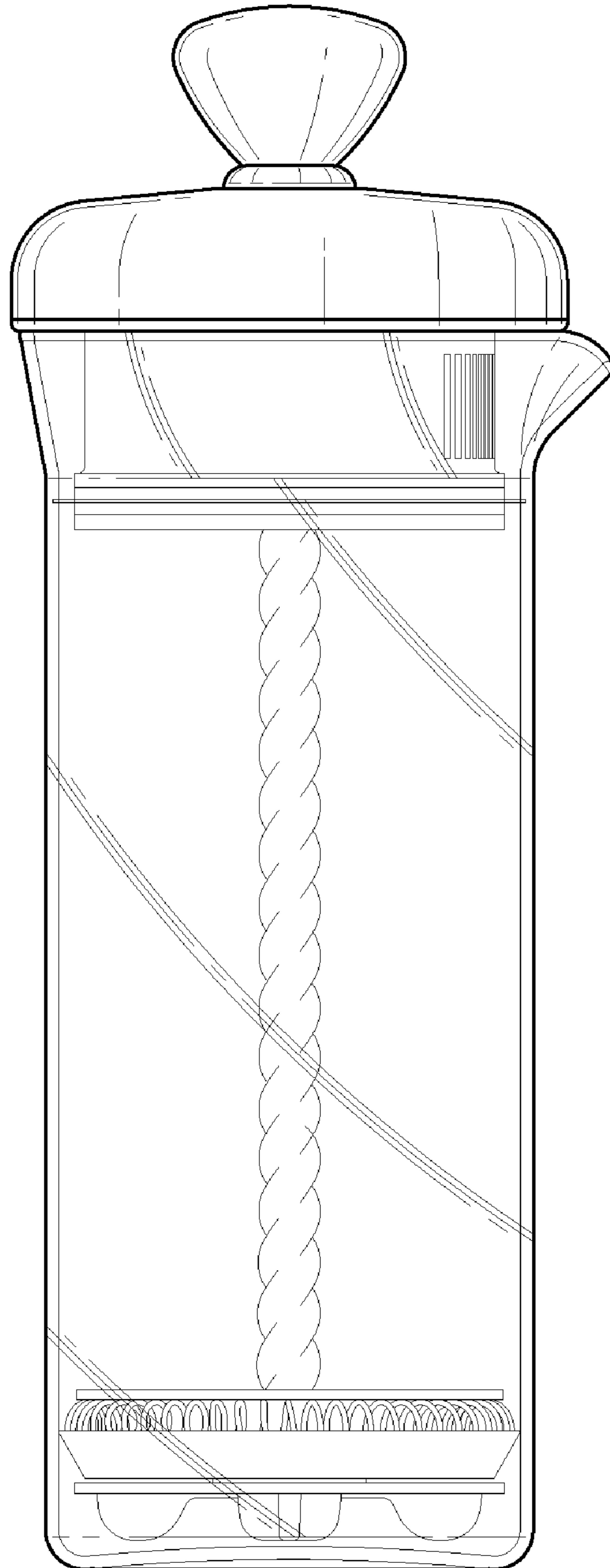


FIG. 5

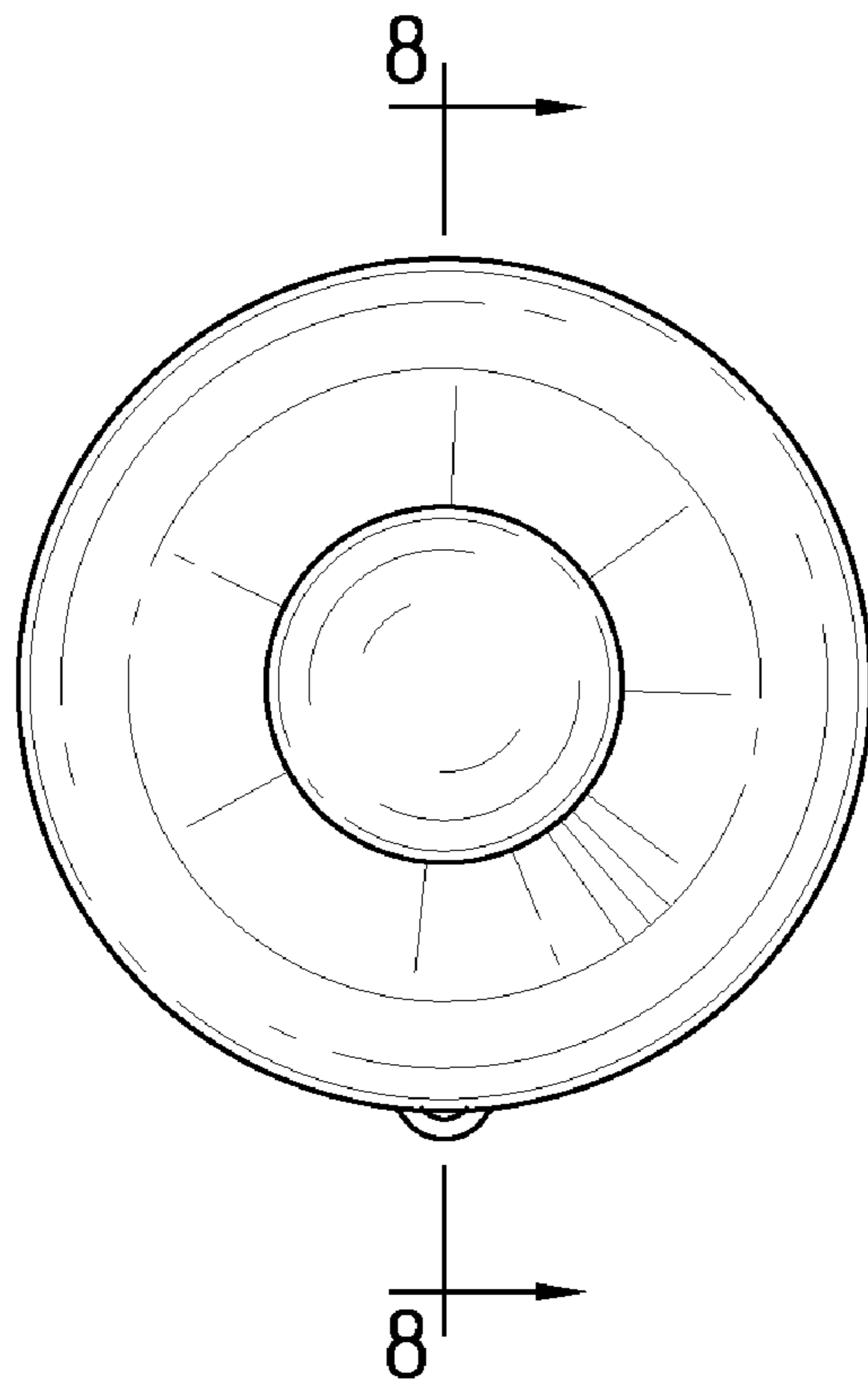


FIG. 6

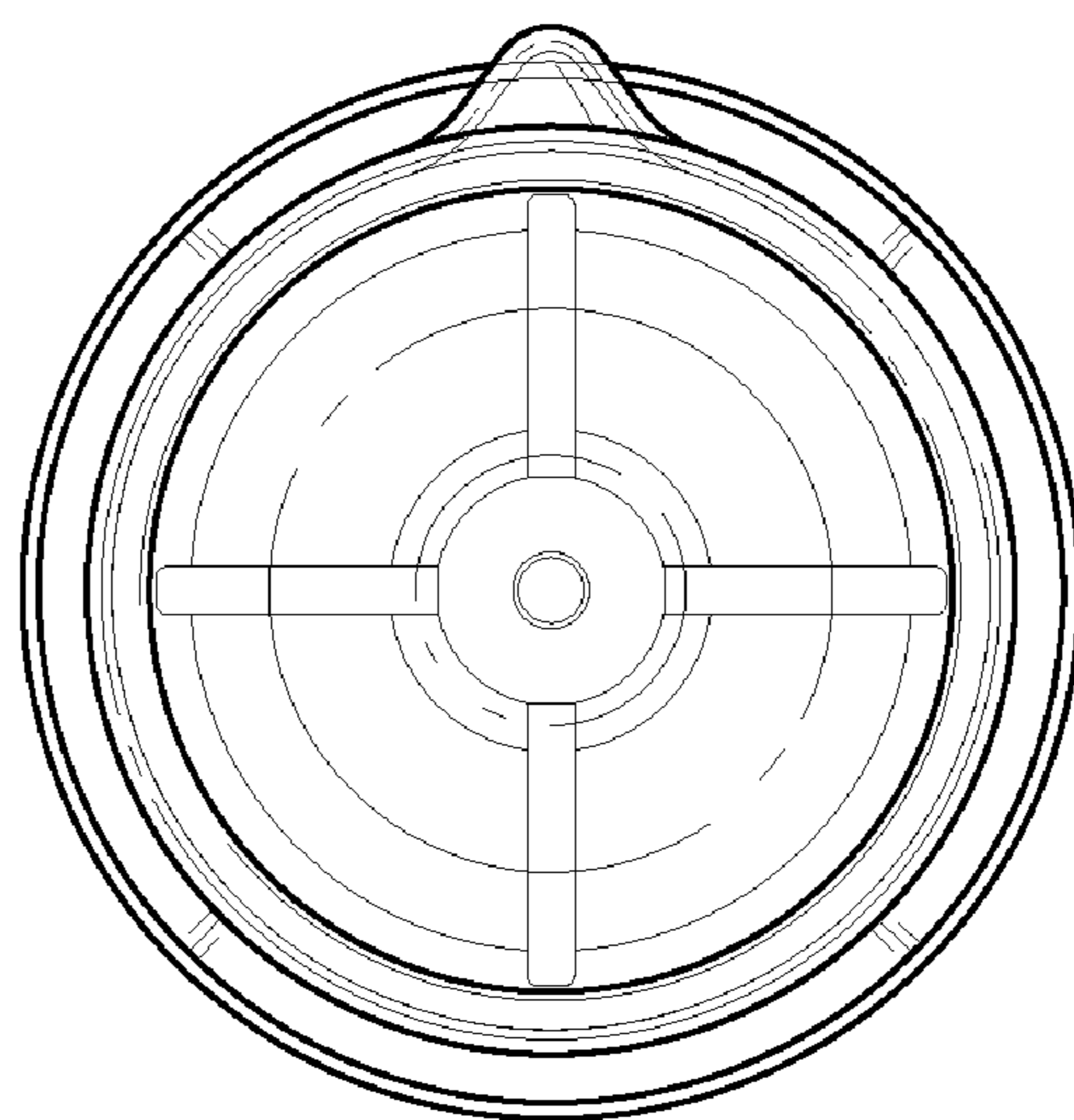


FIG. 7

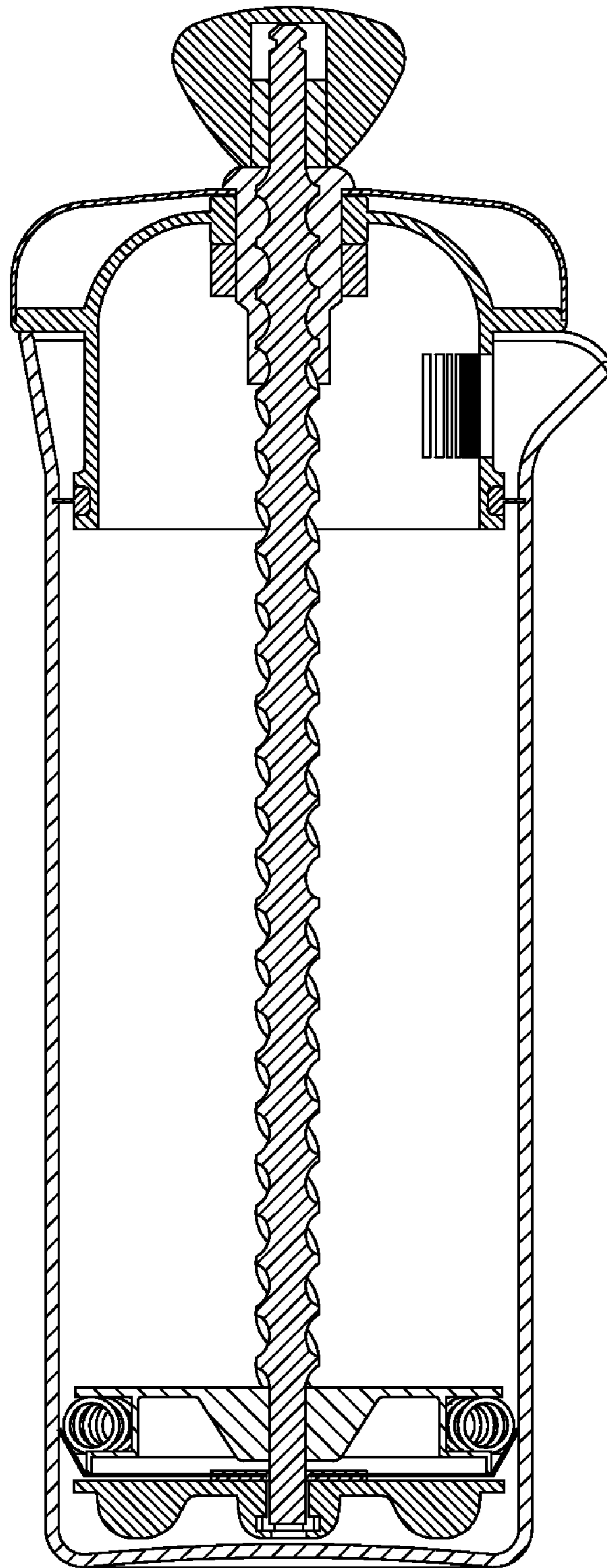


FIG. 8