



US00D559033S

(12) **United States Design Patent**
Gentile

(10) **Patent No.:** **US D559,033 S**

(45) **Date of Patent:** **** Jan. 8, 2008**

(54) **NOVELTY TOILET MOLD FOR BAKING
CAKES AND MOLDING CANDY**

(76) **Inventor:** **Carlo M. Gentile**, 2330 Forest Dr.,
Pittsburgh, PA (US) 15235

(**) **Term:** **14 Years**

(21) **Appl. No.:** **29/272,966**

(22) **Filed:** **Feb. 22, 2007**

(51) **LOC (8) Cl.** **07-02**

(52) **U.S. Cl.** **D7/359; D7/675**

(58) **Field of Classification Search** D7/323,
D7/393, 354-364, 409, 543-545, 554.1, 554.2,
D7/550.1, 551.1, 552.1, 553.1, 554.3, 554.4,
D7/602, 667, 668, 672, 675; D23/295, 301;
D30/121, 125, 129-133; 99/324, 339, 400,
99/410-413; 119/51.01, 51.5, 52.1, 54, 61,
119/165-168; 220/573.1-573.4, 574-575,
220/641, 912; 249/117-127, 160, DIG. 1
See application file for complete search history.

(56) **References Cited**

U.S. PATENT DOCUMENTS

5,904,117 A * 5/1999 Castro 119/51.5

6,205,950 B1 * 3/2001 Thompson, Jr. 119/51.5
D445,967 S * 7/2001 Keisner D30/121
D472,310 S * 3/2003 Kawamura D23/301
D523,126 S * 6/2006 Bates D23/295
D532,493 S * 11/2006 Bucher D23/301
D533,927 S * 12/2006 Kakihana D23/301

* cited by examiner

Primary Examiner—Caron D. Veynar

Assistant Examiner—Ricky Pham

(74) *Attorney, Agent, or Firm*—James Ray & Assoc.

(57) **CLAIM**

The ornamental design for a novelty toilet mold for baking cakes and molding candy, as shown and described.

DESCRIPTION

FIG. 1 is a full perspective view of the toilet mold;

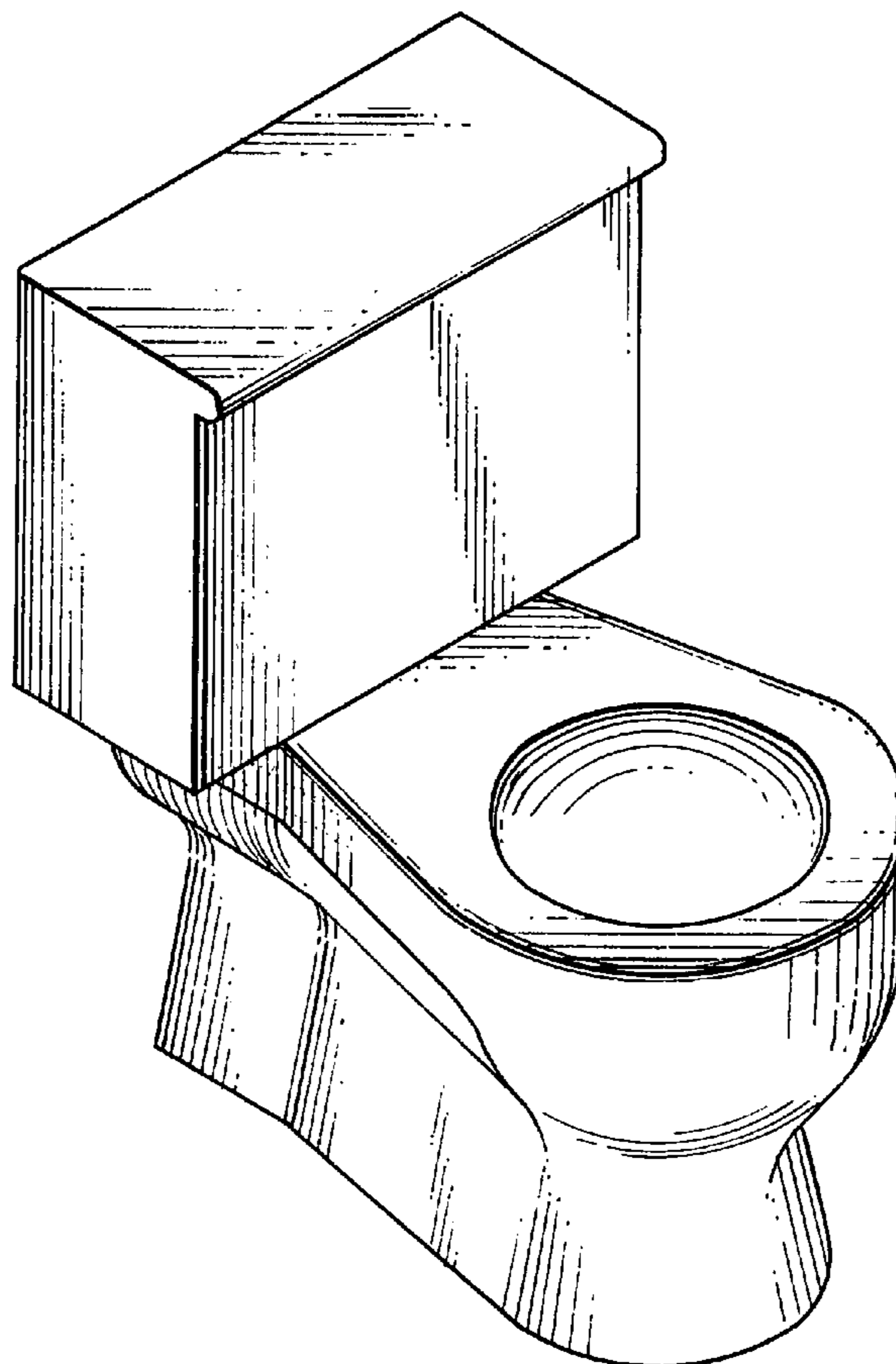
FIG. 2 is a side elevation view of the toilet mold;

FIG. 3 is front view of the toilet mold; and,

FIG. 4 is bottom view of the toilet mold.

The broken lines shown in the drawings are for illustrative purposes only and form no part of the claimed design.

1 Claim, 2 Drawing Sheets



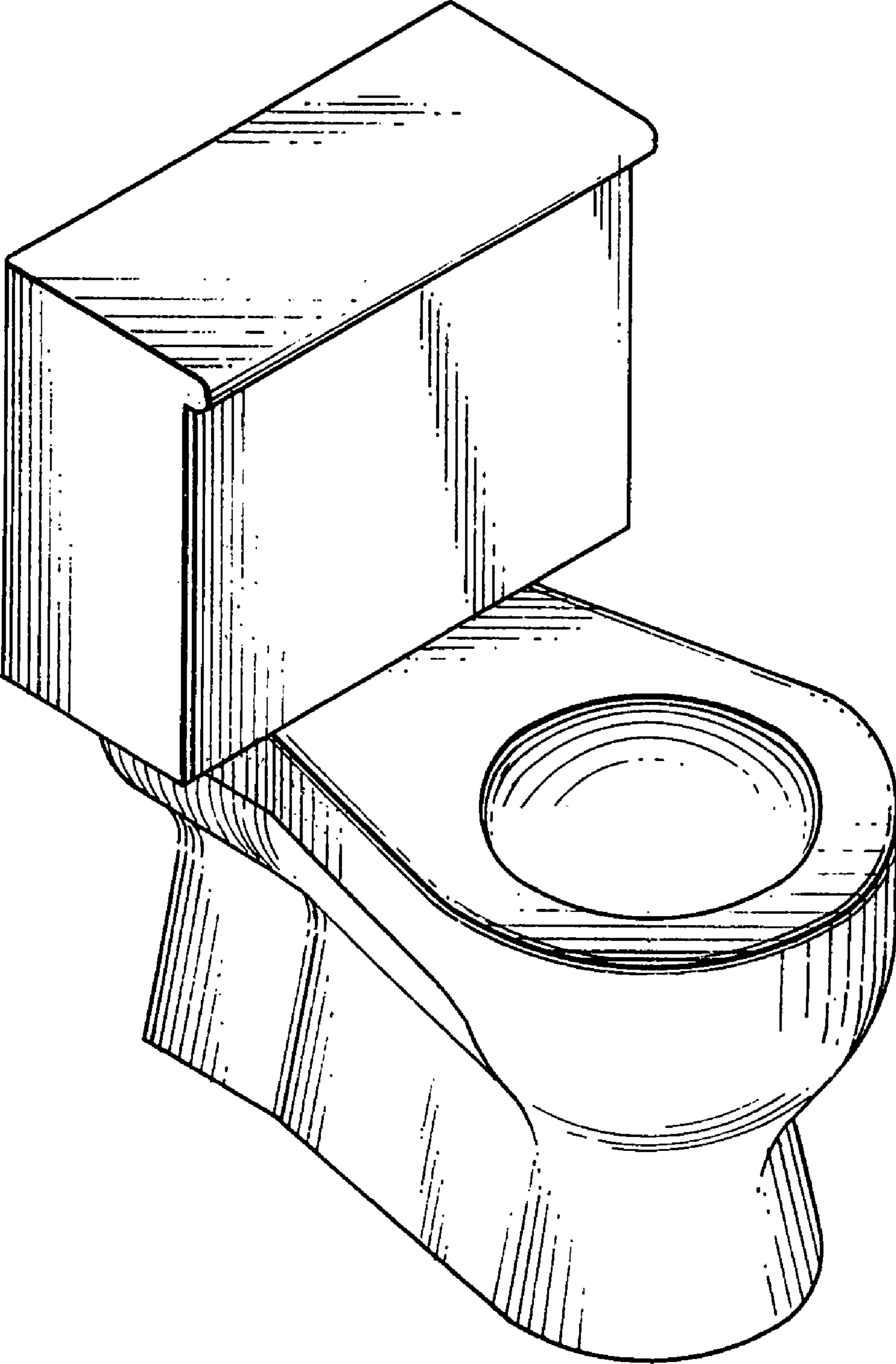


FIG. 1

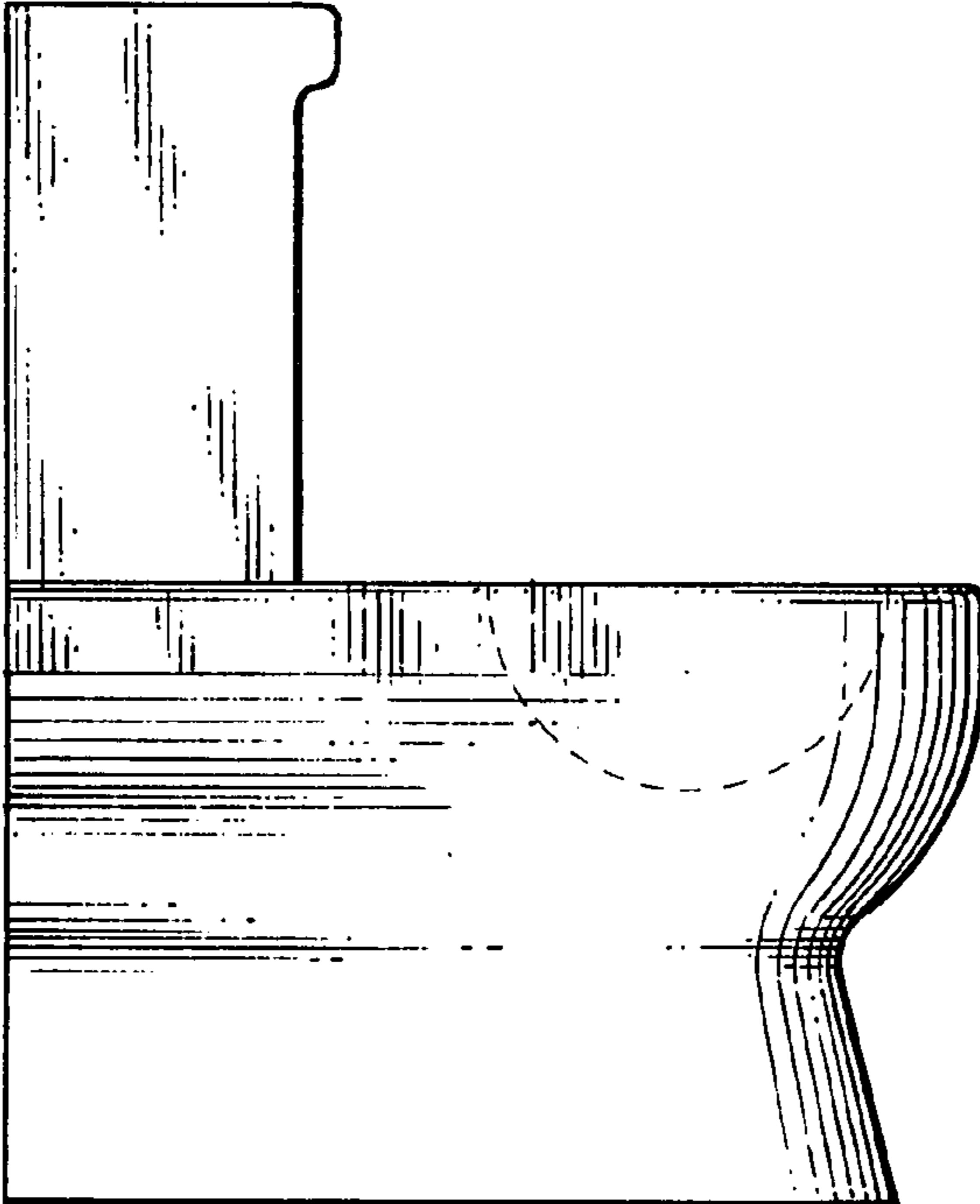


FIG. 2

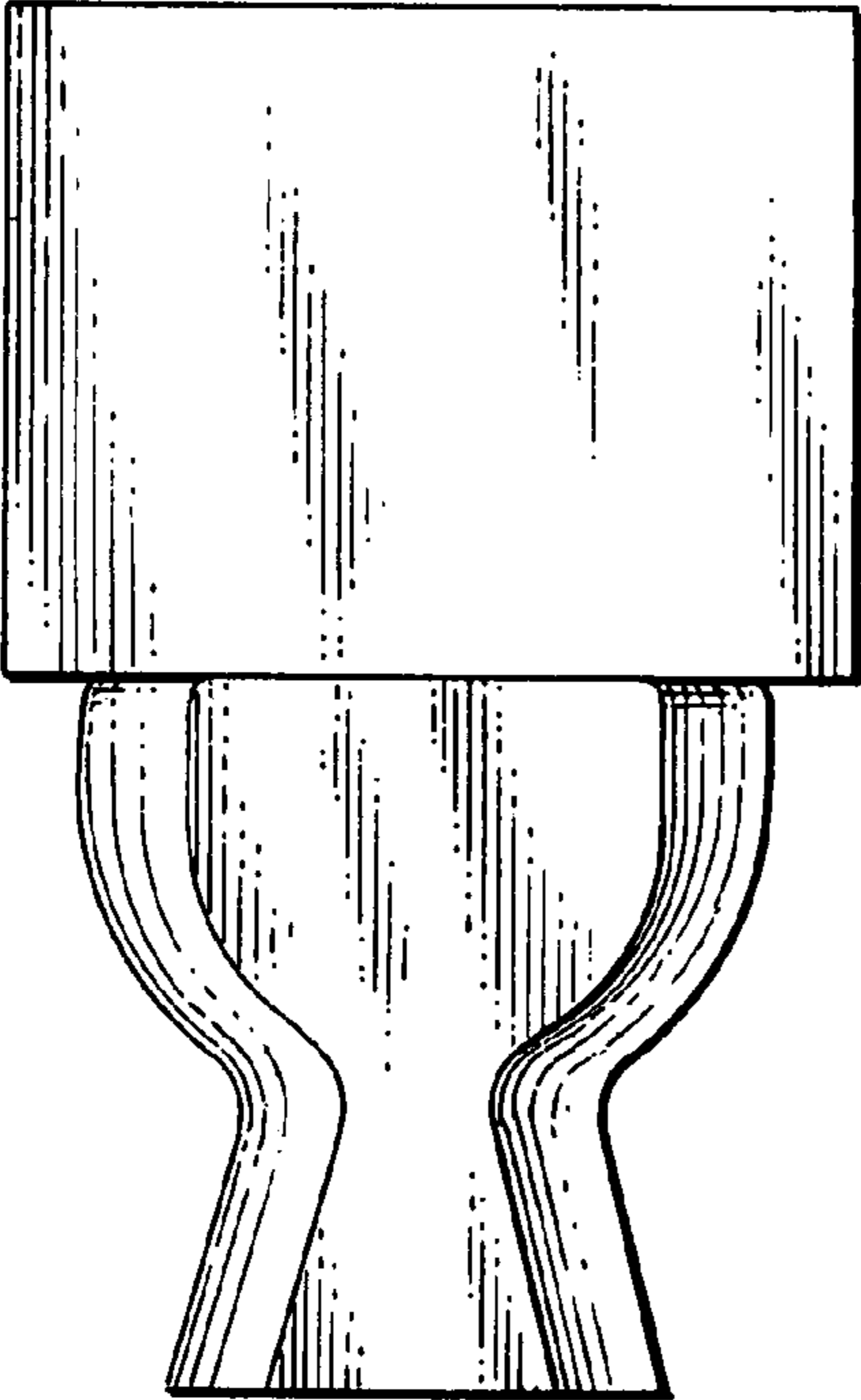


FIG. 3

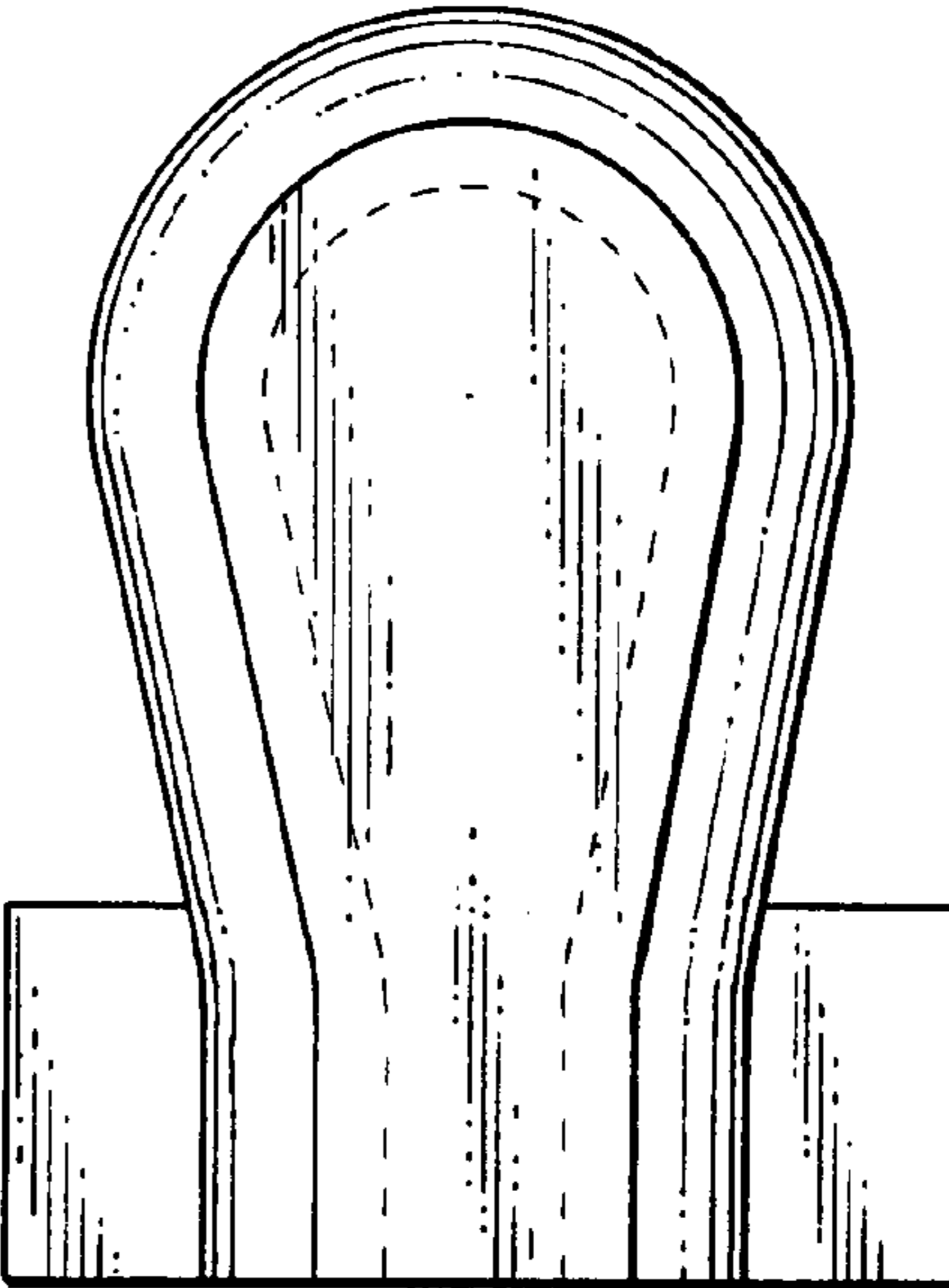


FIG. 4