



US00D559030S

(12) **United States Design Patent**
Bodum

(10) **Patent No.:** **US D559,030 S**

(45) **Date of Patent:** **** Jan. 8, 2008**

(54) **TEA POT**

(75) Inventor: **Jørgen Bodum**, St. Niklausen (CH)

(73) Assignee: **Pi-Design AG**, Triengen (CH)

(**) Term: **14 Years**

(21) Appl. No.: **29/266,369**

(22) Filed: **Sep. 19, 2006**

(30) **Foreign Application Priority Data**

Mar. 20, 2006 (DK) DA 2006 00089

(51) **LOC (8) Cl.** **07-01**

(52) **U.S. Cl.** **D7/319; D7/317**

(58) **Field of Classification Search** D7/300,
D7/316, 317, 318, 319, 600, 320, 413, 321,
D7/322, 312; 222/189, 465.1, 108, 144.5;
215/398, 6, 12.1, 12.2; 99/297, 312, 323,
99/0.3, 285, 279; 220/504, 374, 522

See application file for complete search history.

(56) **References Cited**

U.S. PATENT DOCUMENTS

1,782,962	A	*	11/1930	Hobbs	294/166
4,365,544	A	*	12/1982	Howitt	99/297
4,920,868	A	*	5/1990	Gehrmann	99/279
D342,414	S	*	12/1993	Jorgensen	D7/317
D377,132	S	*	1/1997	Jørgensen	D7/318
D378,261	S	*	3/1997	Jørgensen	D7/319
D383,639	S	*	9/1997	Jorgensen	D7/319
D386,040	S	*	11/1997	Joergensen	D7/317
D386,351	S	*	11/1997	Joergensen	D7/319
D405,641	S	*	2/1999	Brady	D7/319
D405,642	S	*	2/1999	Toriba	D7/319
D441,248	S	*	5/2001	Brady	D7/319
D444,343	S	*	7/2001	Chang	D7/377
D448,601	S	*	10/2001	Yeh	D7/319
D448,602	S	*	10/2001	Bodum	D7/319
D448,603	S	*	10/2001	Yeh	D7/319
D450,521	S	*	11/2001	Joergensen	D7/319
D454,025	S	*	3/2002	Kopczewski et al.	D7/319

D458,074	S	*	6/2002	Bodum	D7/319
D458,505	S	*	6/2002	Bodum	D7/319
D475,568	S	*	6/2003	Bodum	D7/319
D476,520	S	*	7/2003	Bodum	D7/319
D493,332	S	*	7/2004	Bin	D7/510
D513,919	S	*	1/2006	Bodum	D7/319

* cited by examiner

Primary Examiner—M. N. Pandozzi

(74) *Attorney, Agent, or Firm*—Cowan, Liebowitz & Latman, PC

(57) **CLAIM**

The ornamental design for a tea pot, as shown and described.

DESCRIPTION

FIG. 1 is a perspective view of a first embodiment of the tea pot showing my design thereof;

FIG. 2 is a front view thereof;

FIG. 3 is a back view thereof;

FIG. 4 is a right side view thereof;

FIG. 5 is a left side view thereof;

FIG. 6 is a top view thereof;

FIG. 7 is a bottom view thereof;

FIG. 8 is a cross-sectional view taken along line 8—8 of FIG. 6;

FIG. 9 is a perspective view of a second embodiment of the tea pot showing my design thereof;

FIG. 10 is a front view thereof;

FIG. 11 is a back view thereof;

FIG. 12 is a right side view thereof;

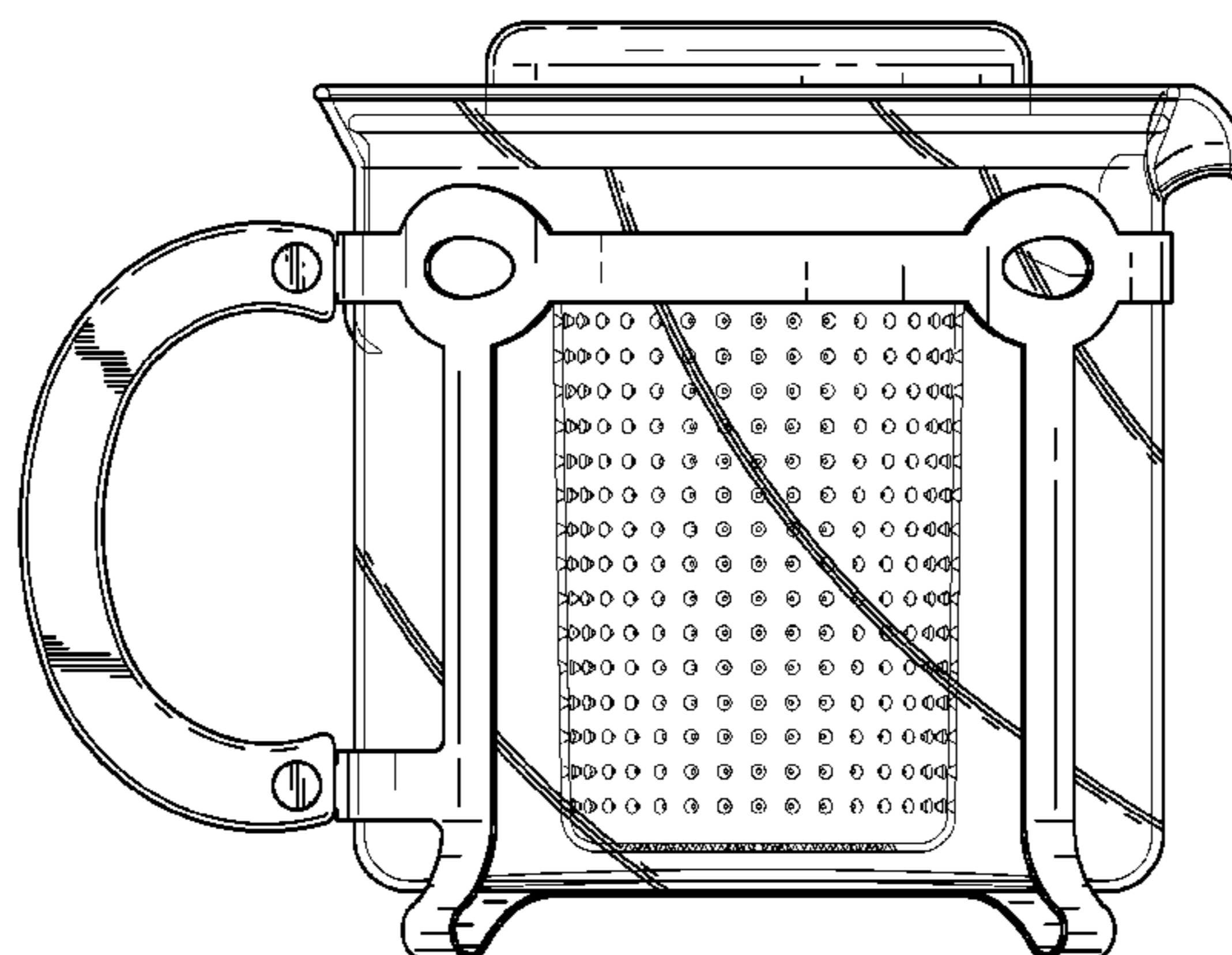
FIG. 13 is a left side view thereof;

FIG. 14 is cross-sectional views taken along line 16—16 of FIG. 14.

FIG. 15 is a bottom view thereof; and,

FIG. 16 is a cross-sectional view thereof.

1 Claim, 16 Drawing Sheets



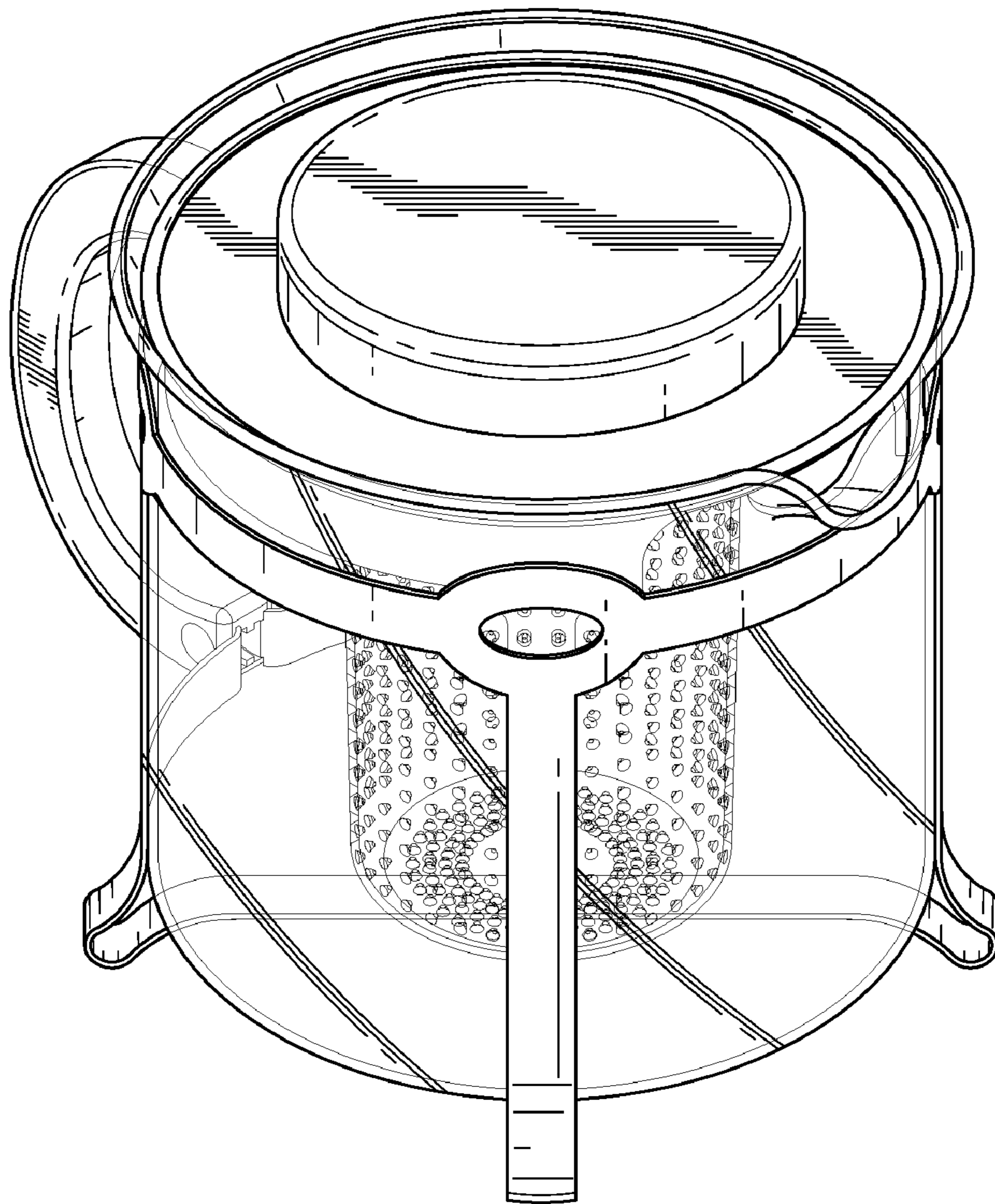


FIG. 1

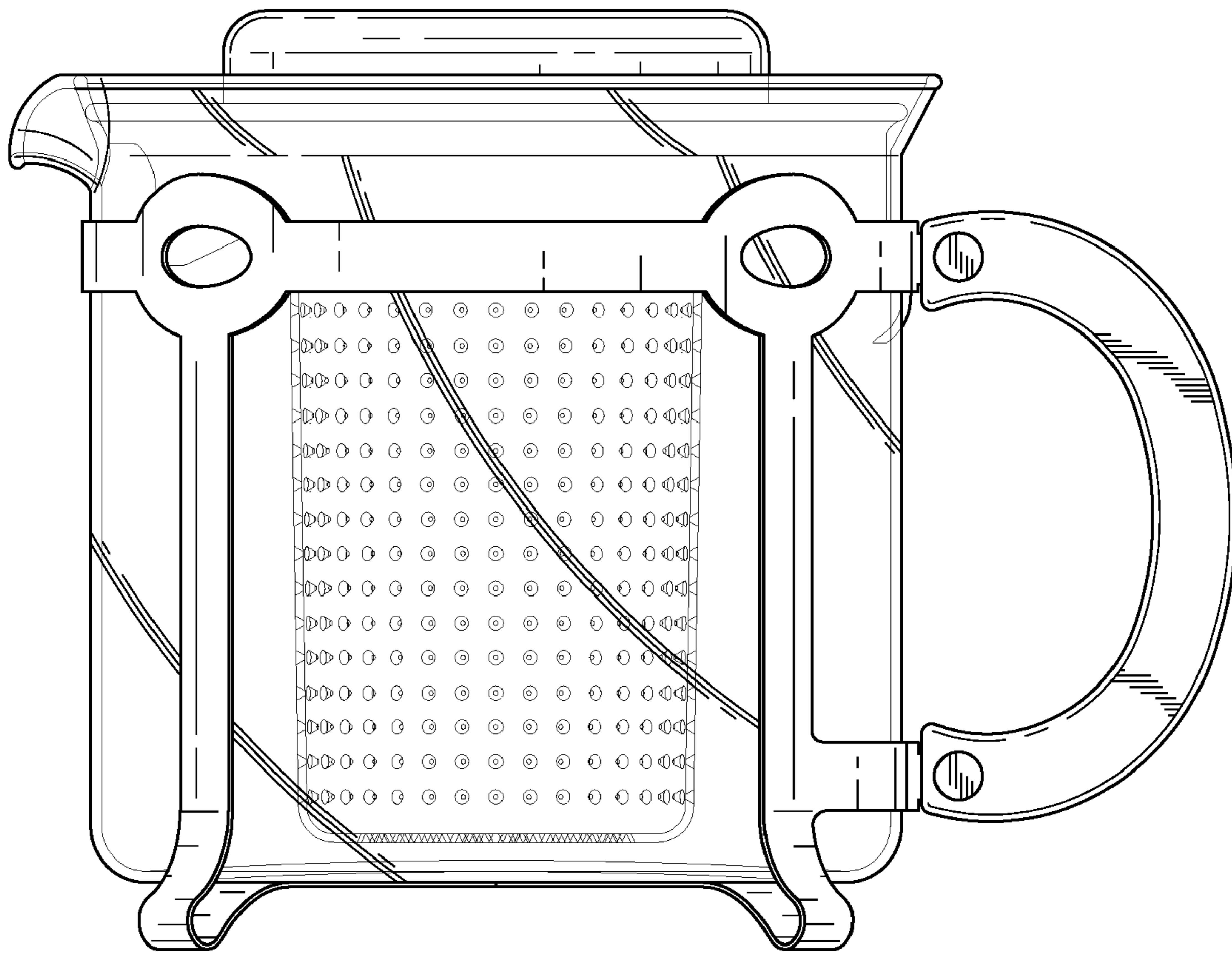


FIG. 2

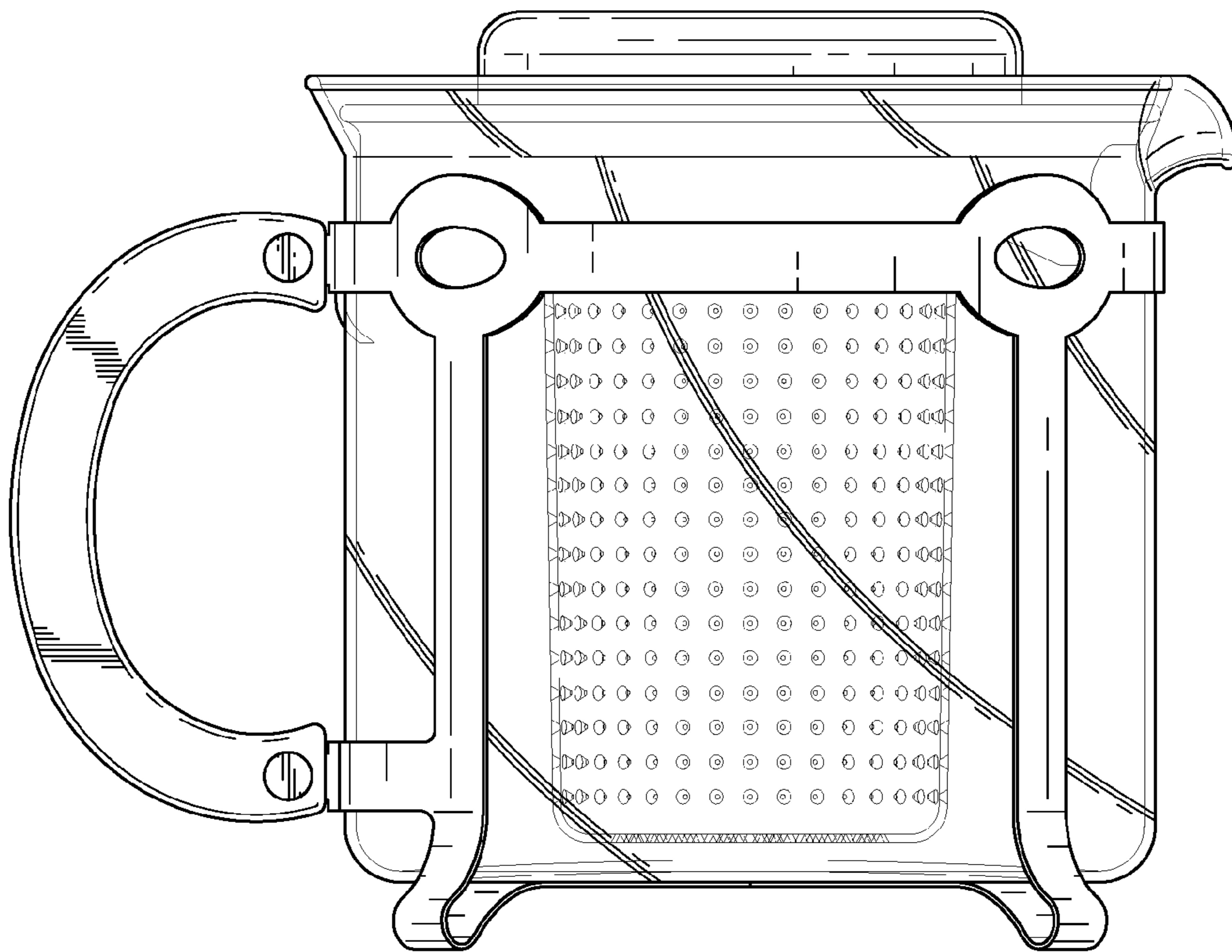


FIG. 3

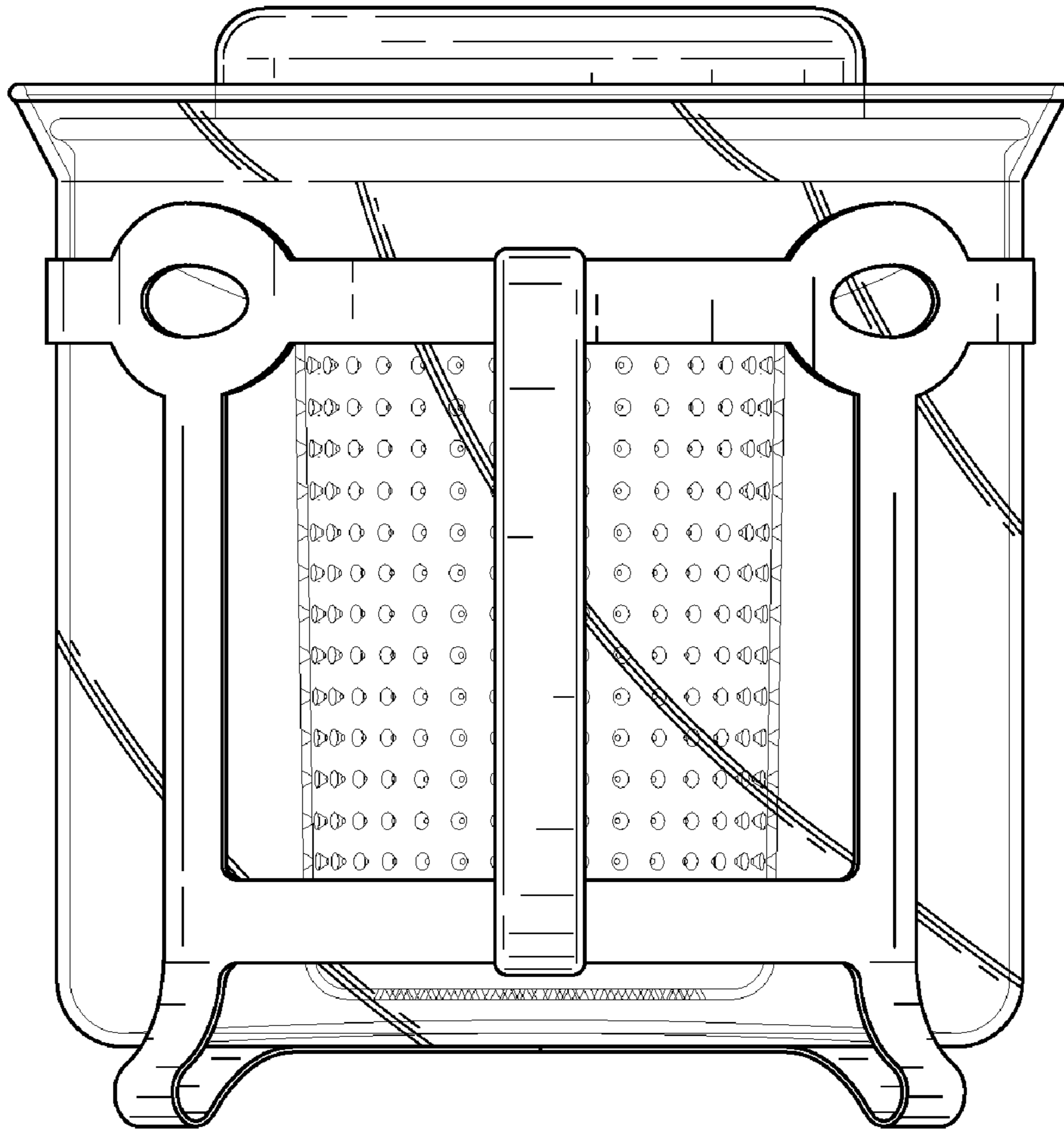


FIG. 4

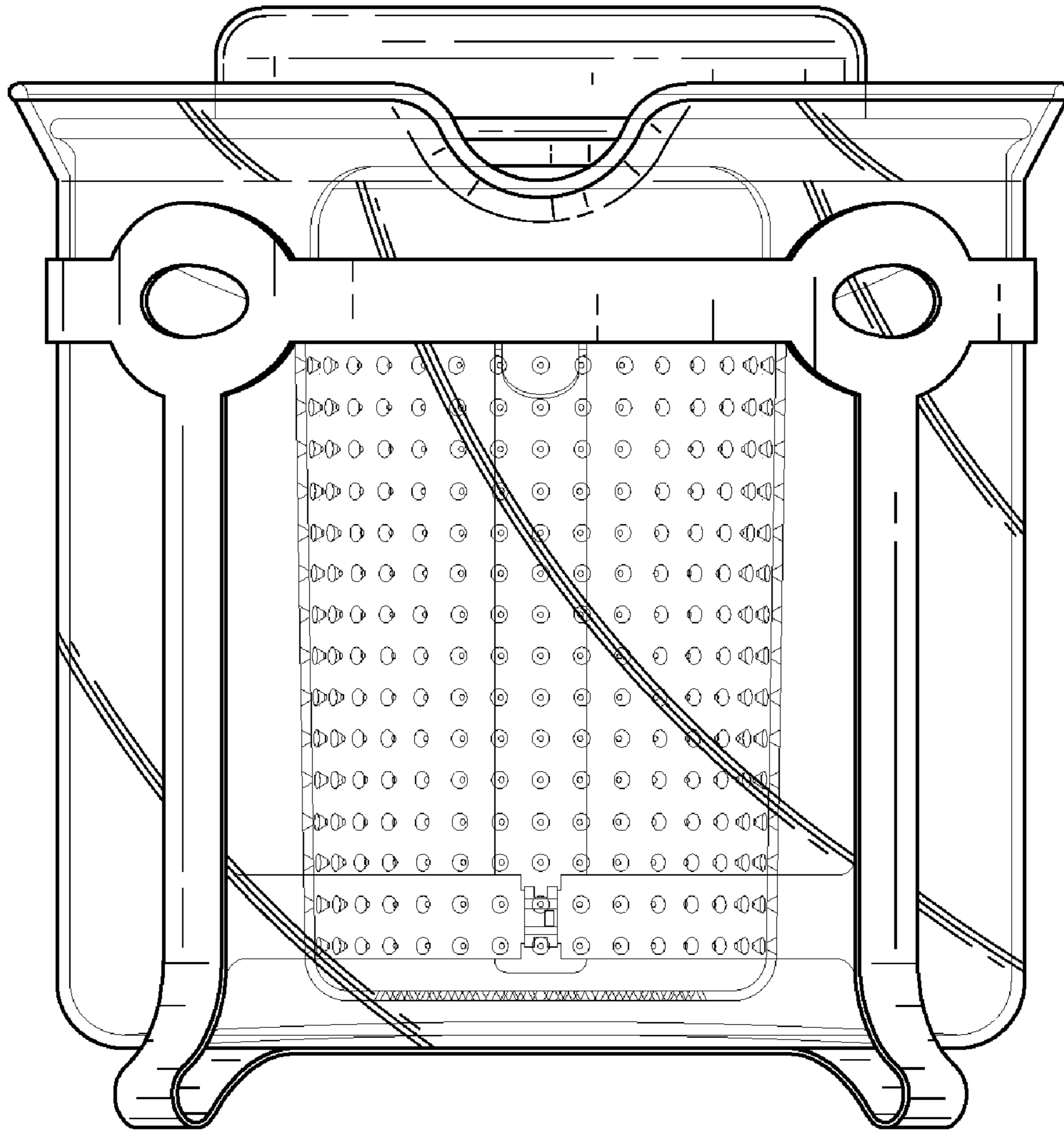


FIG. 5

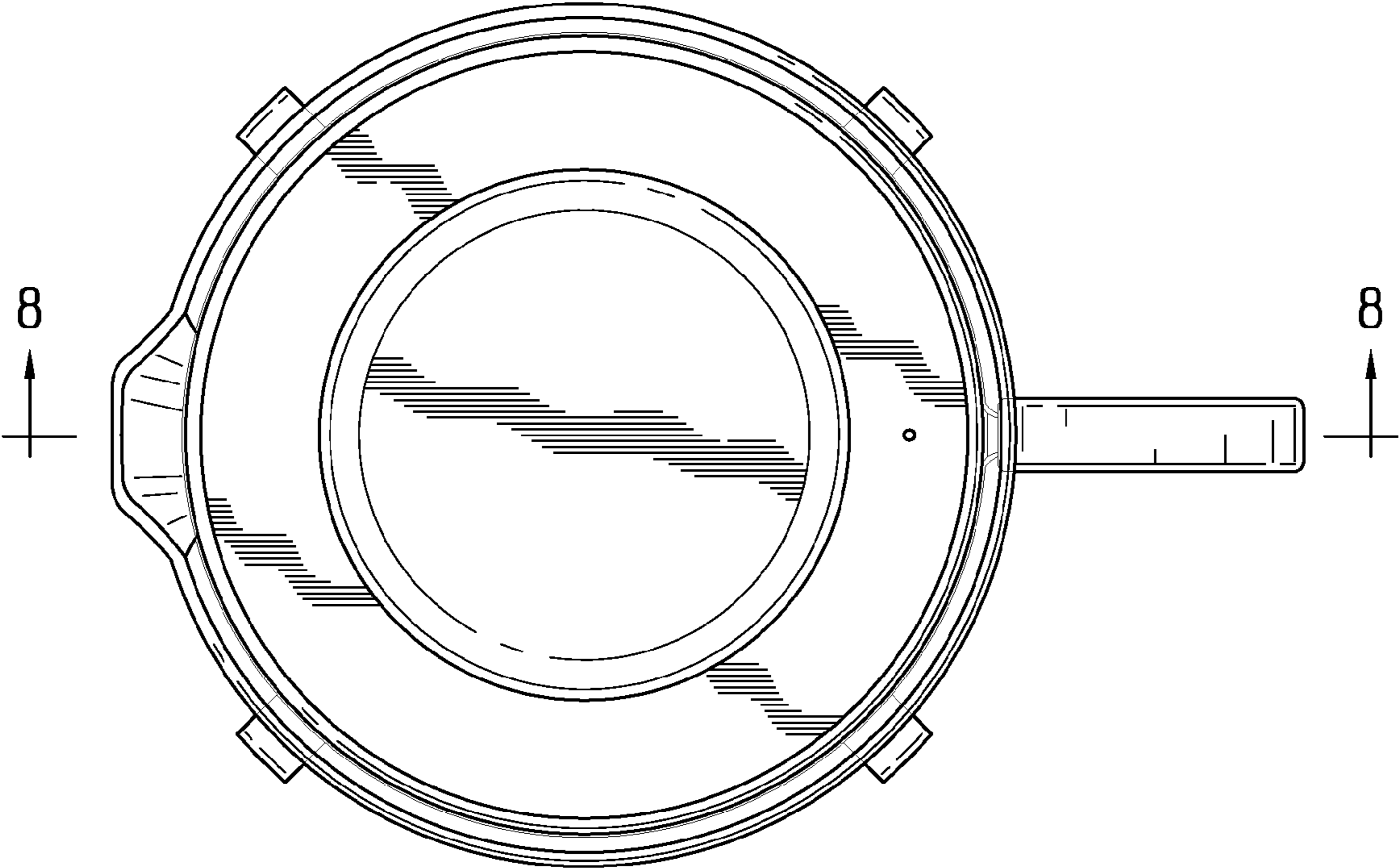


FIG. 6

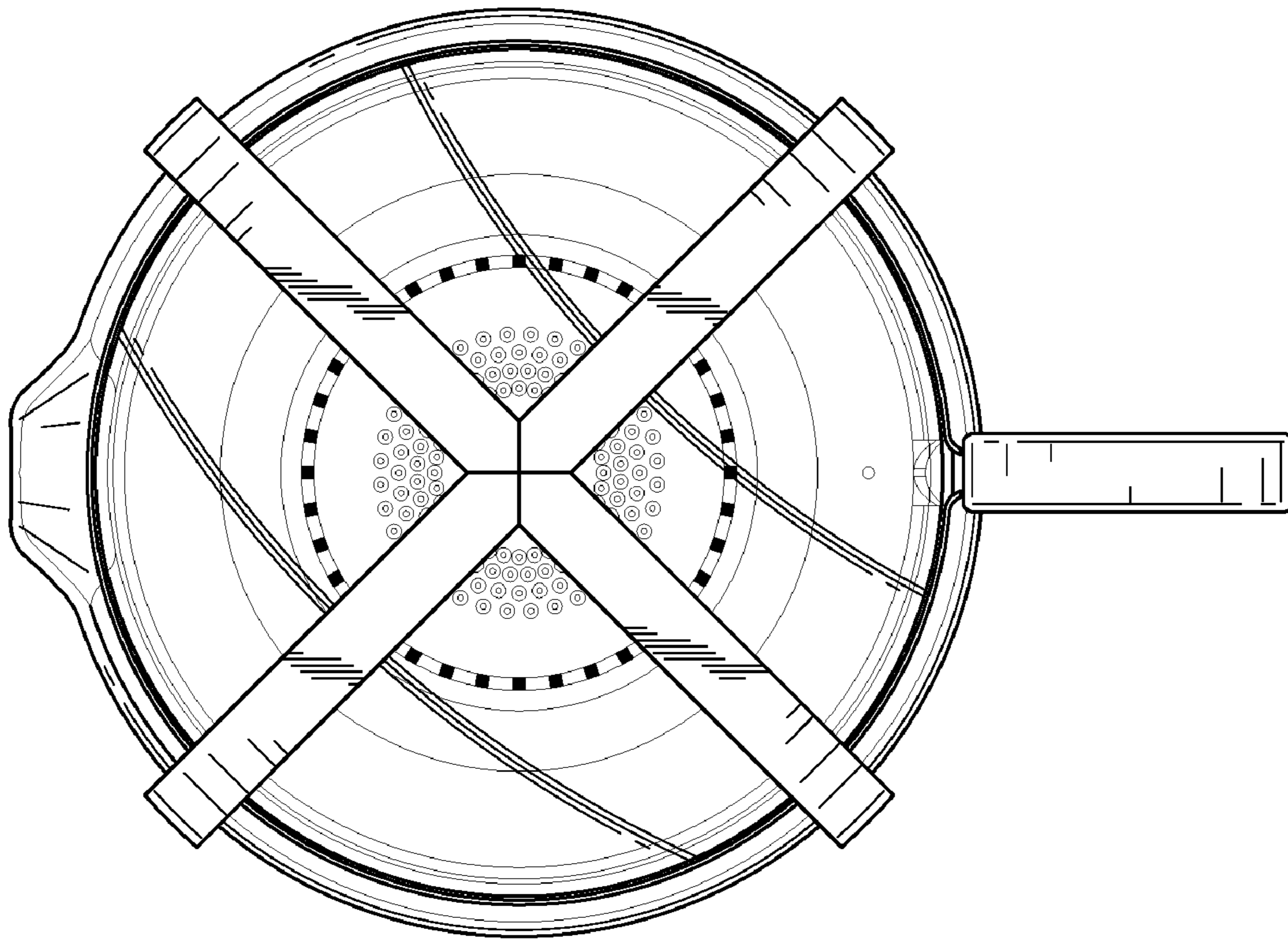


FIG. 7

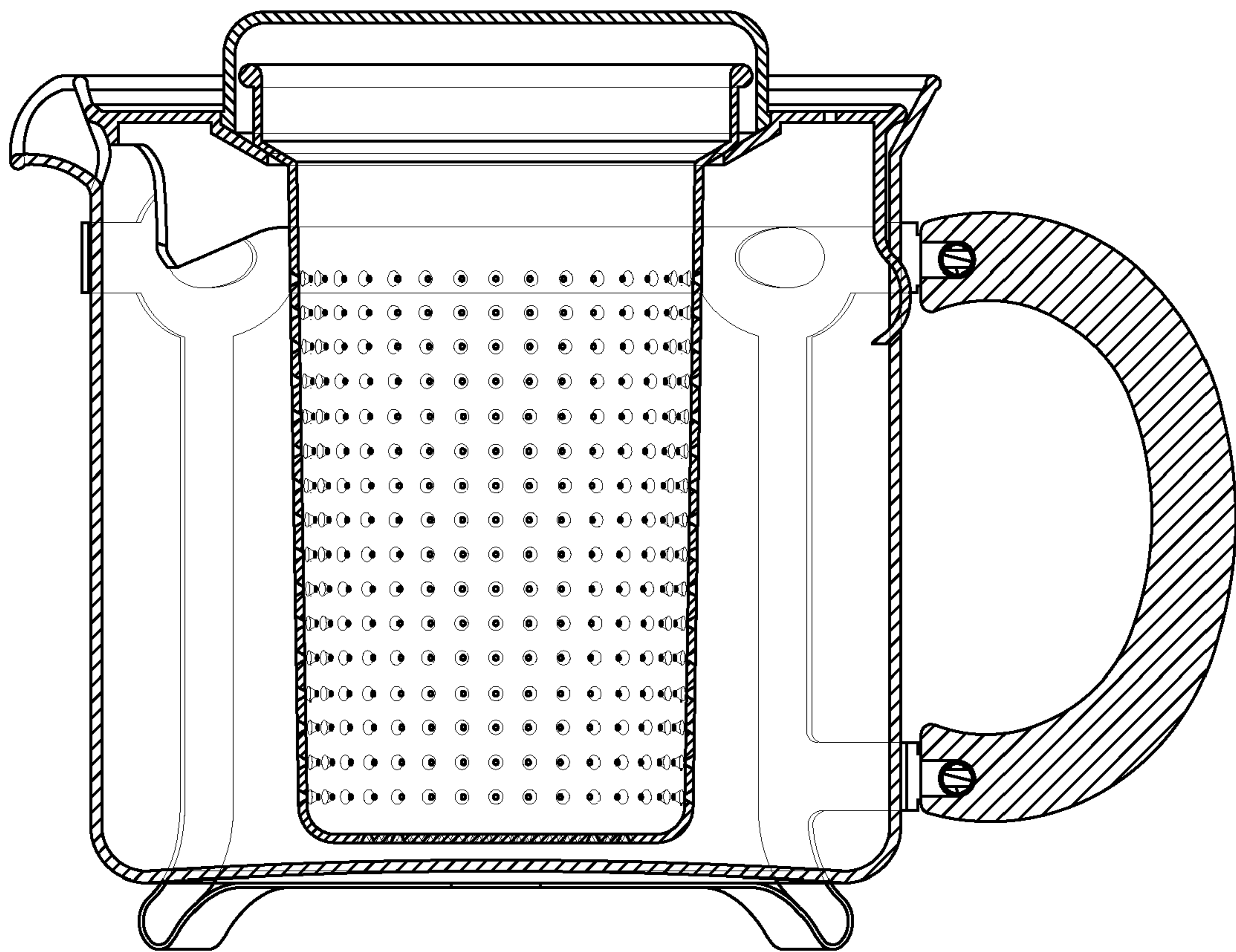


FIG. 8

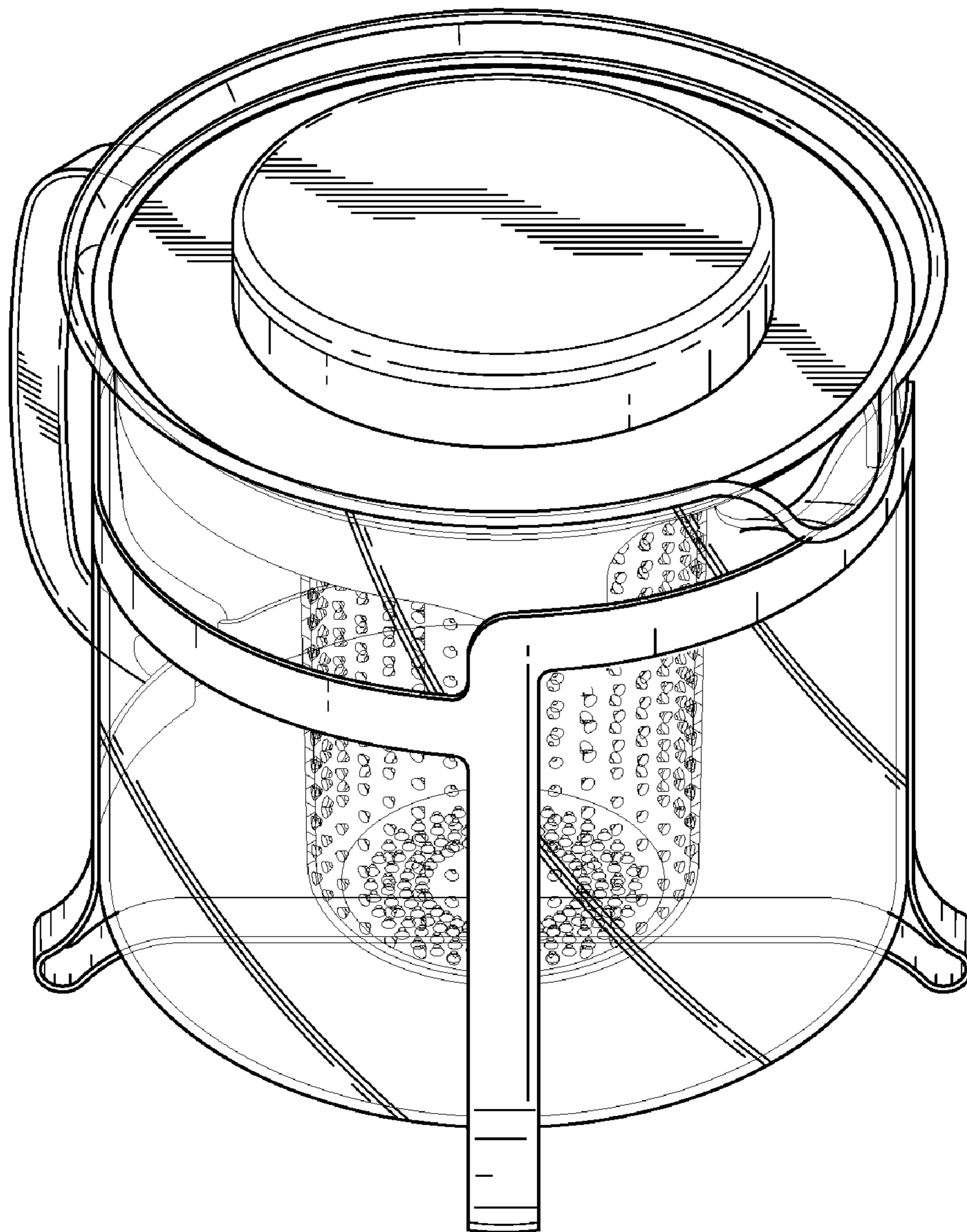


FIG. 9

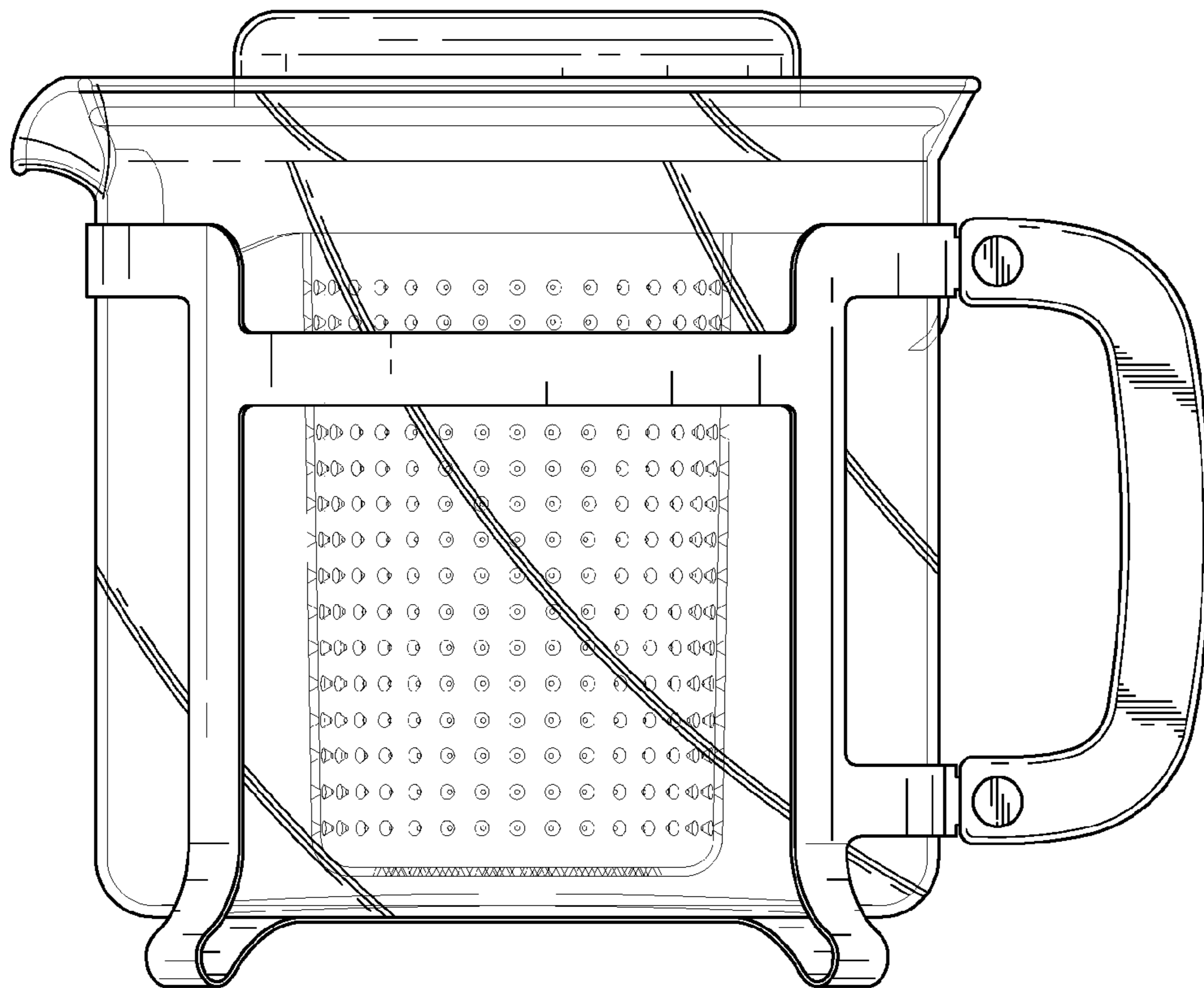


FIG. 10

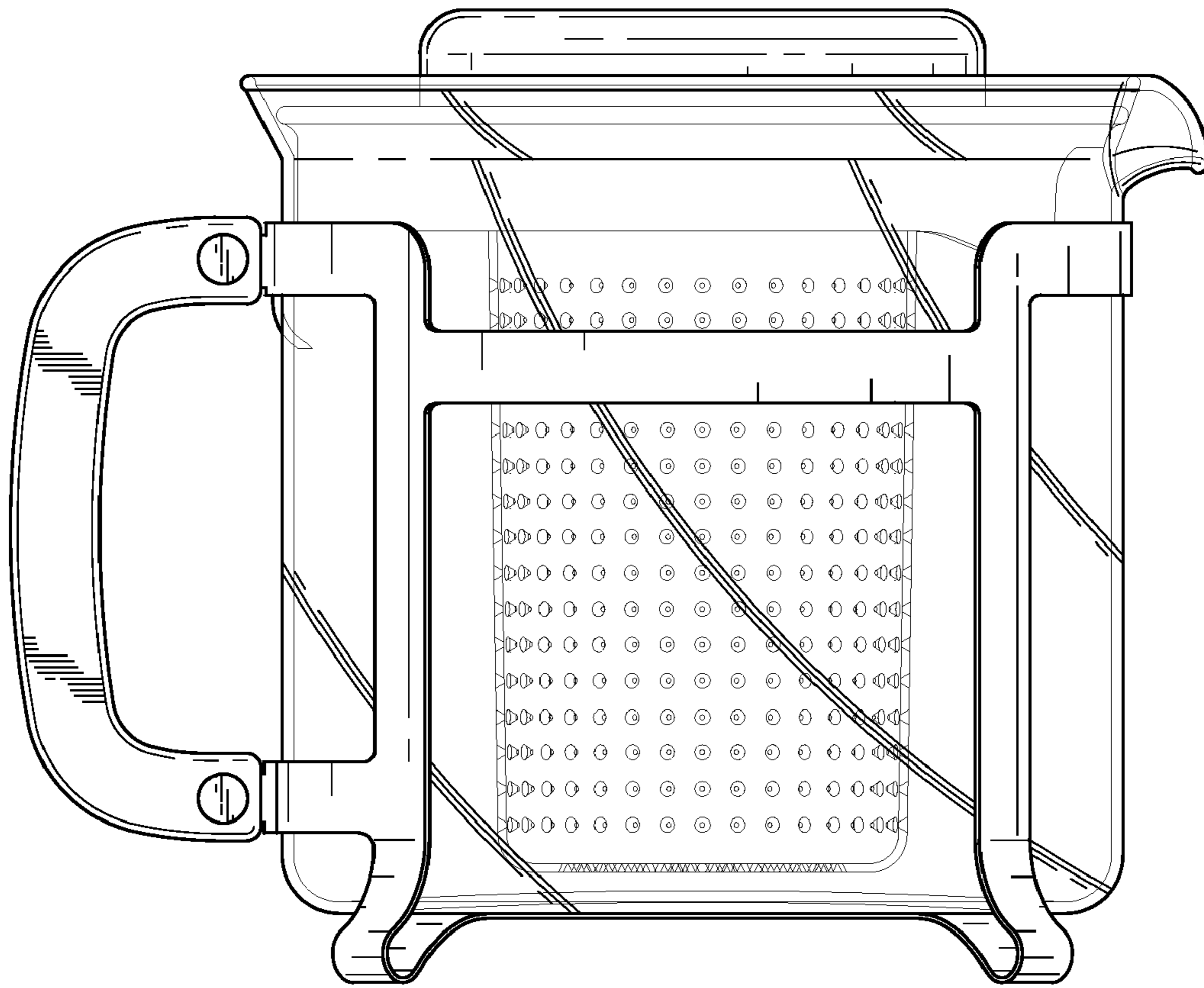


FIG. 11

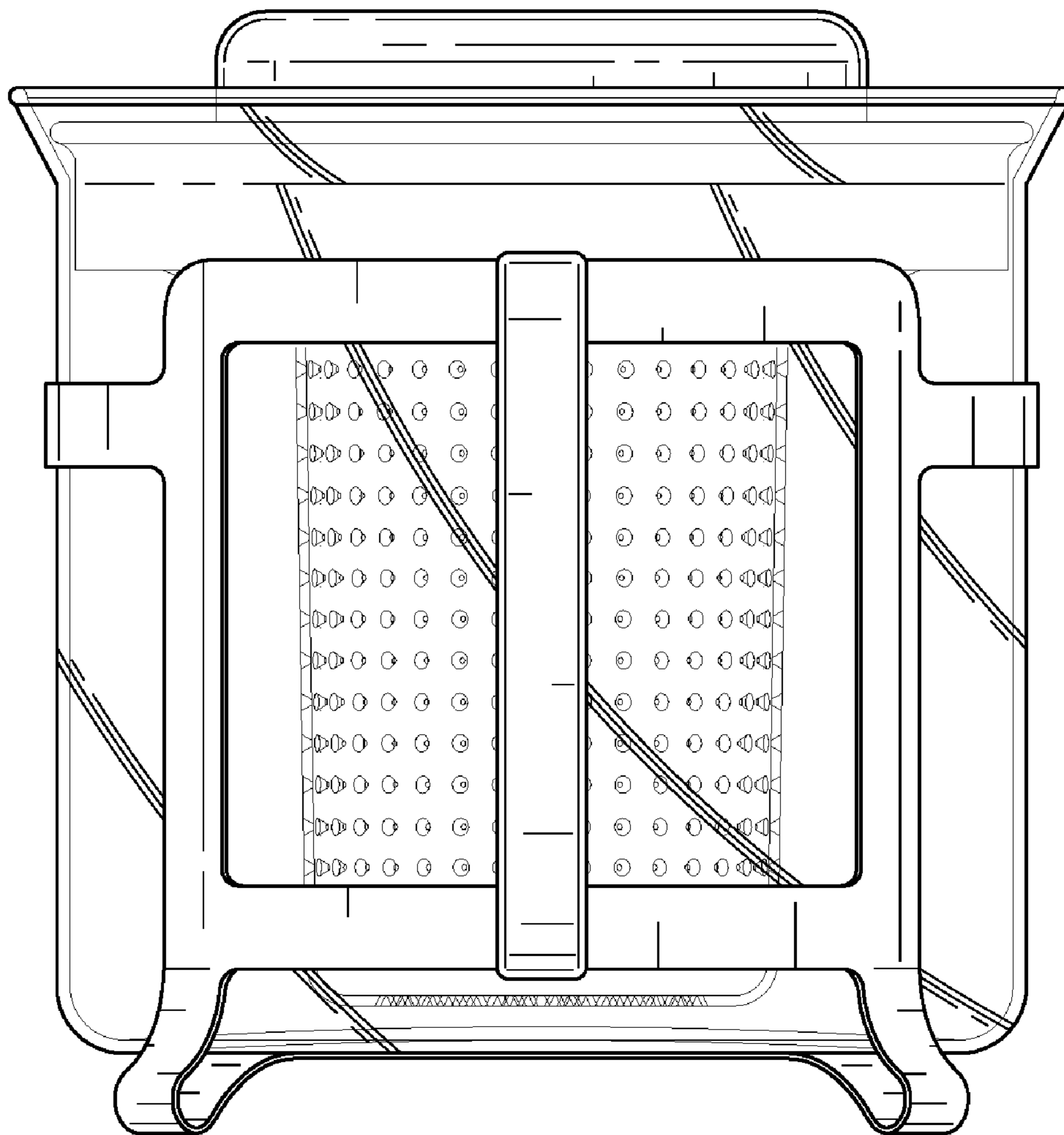


FIG. 12

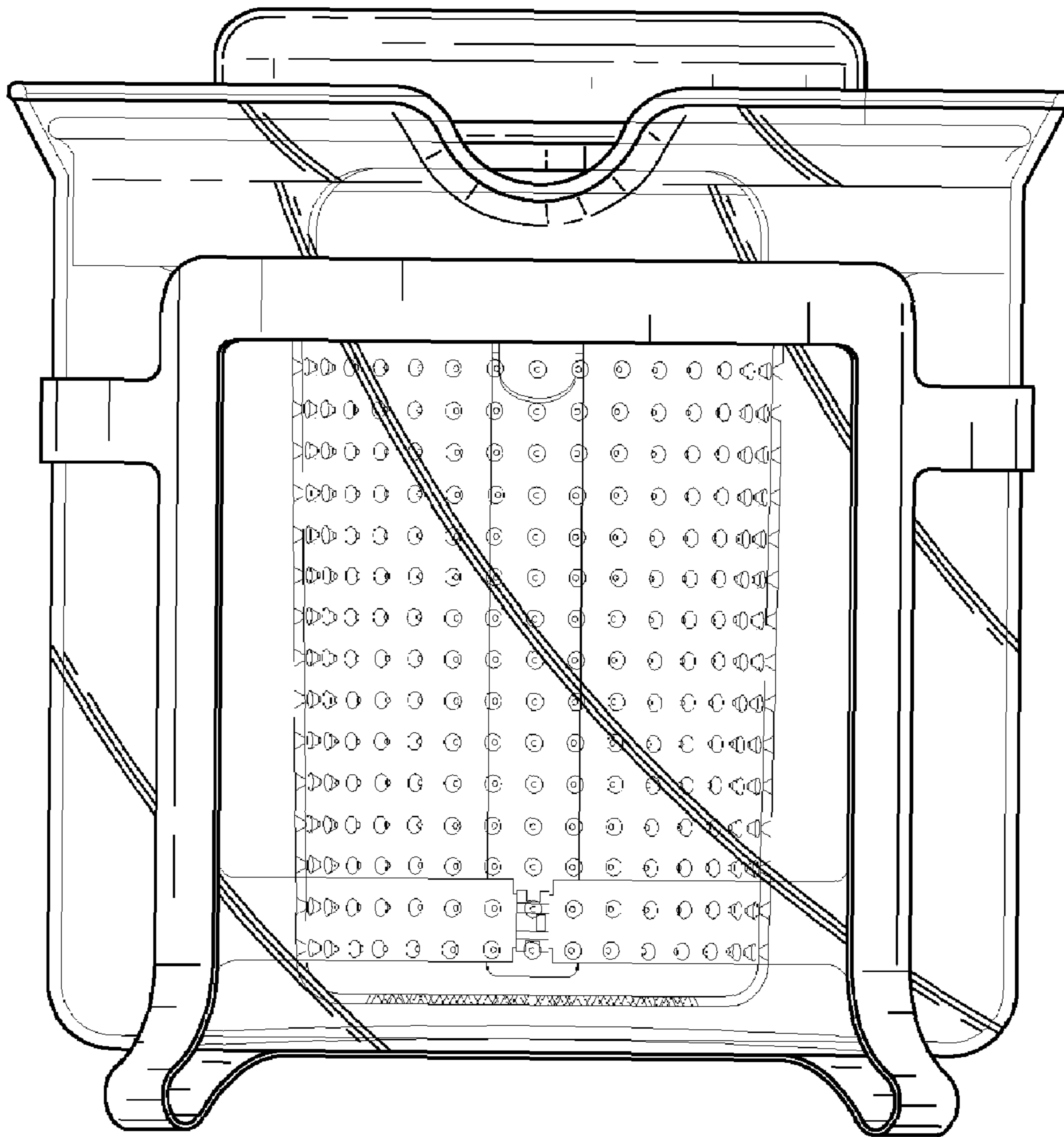


FIG. 13

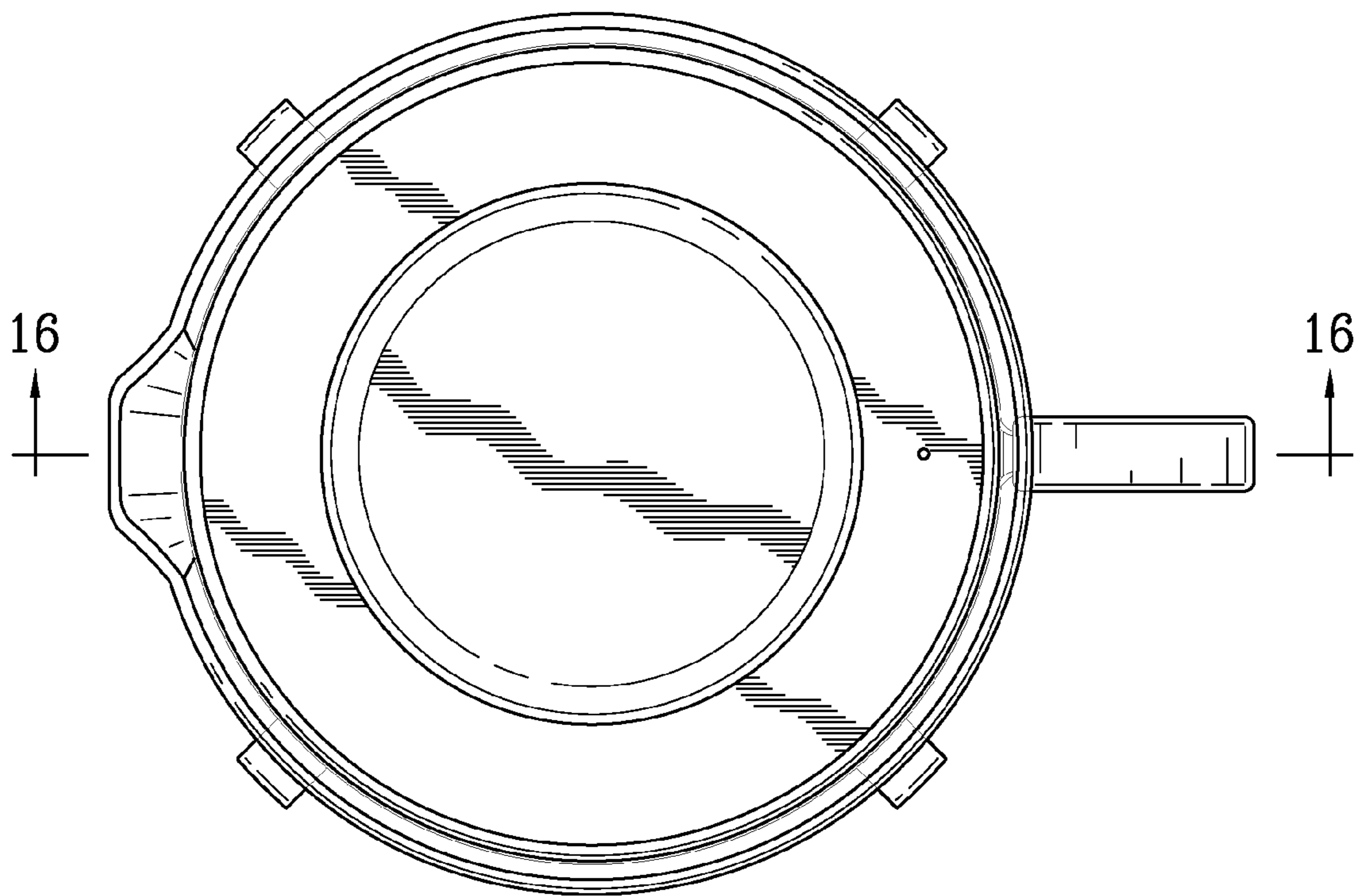


FIG. 14

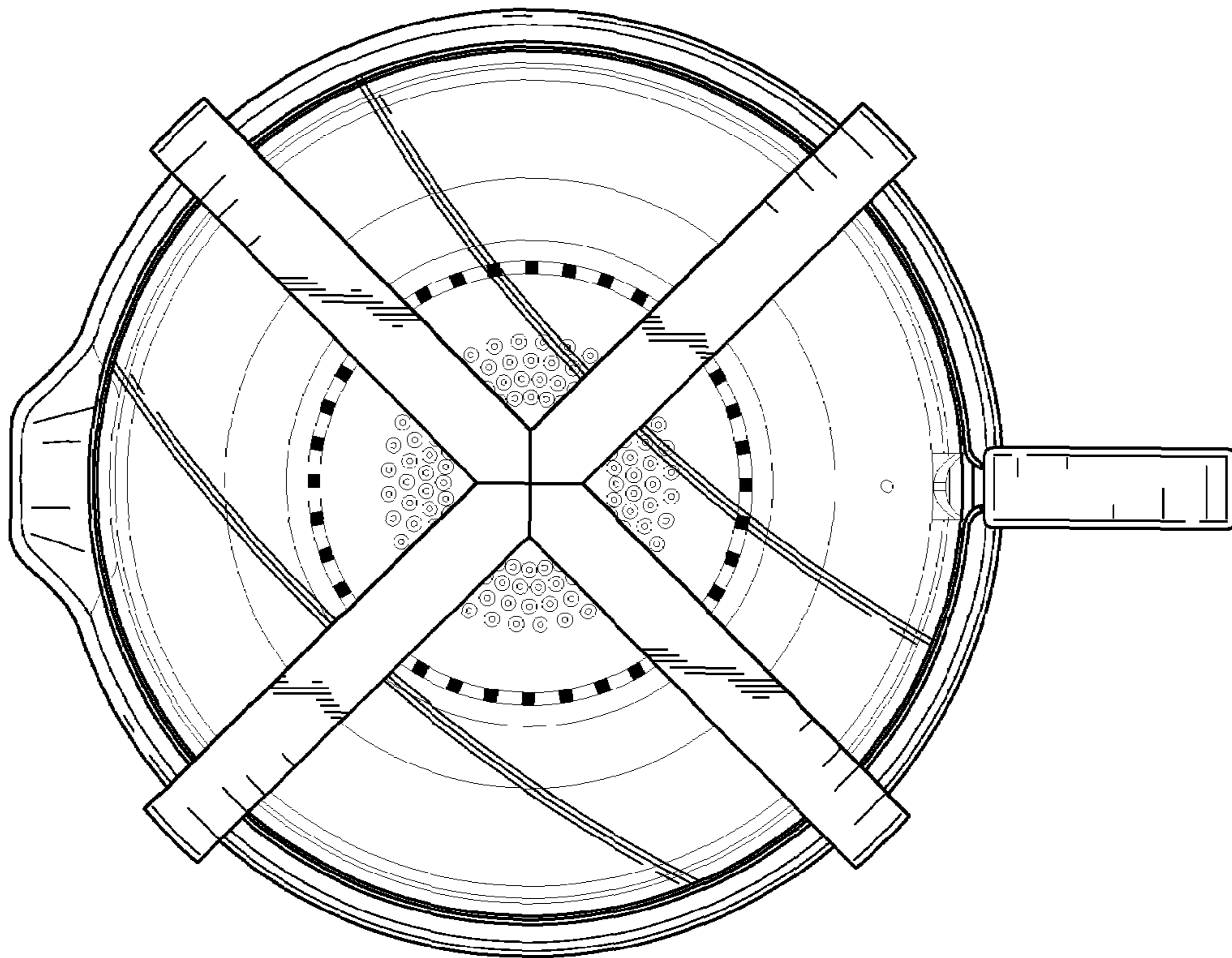


FIG. 15

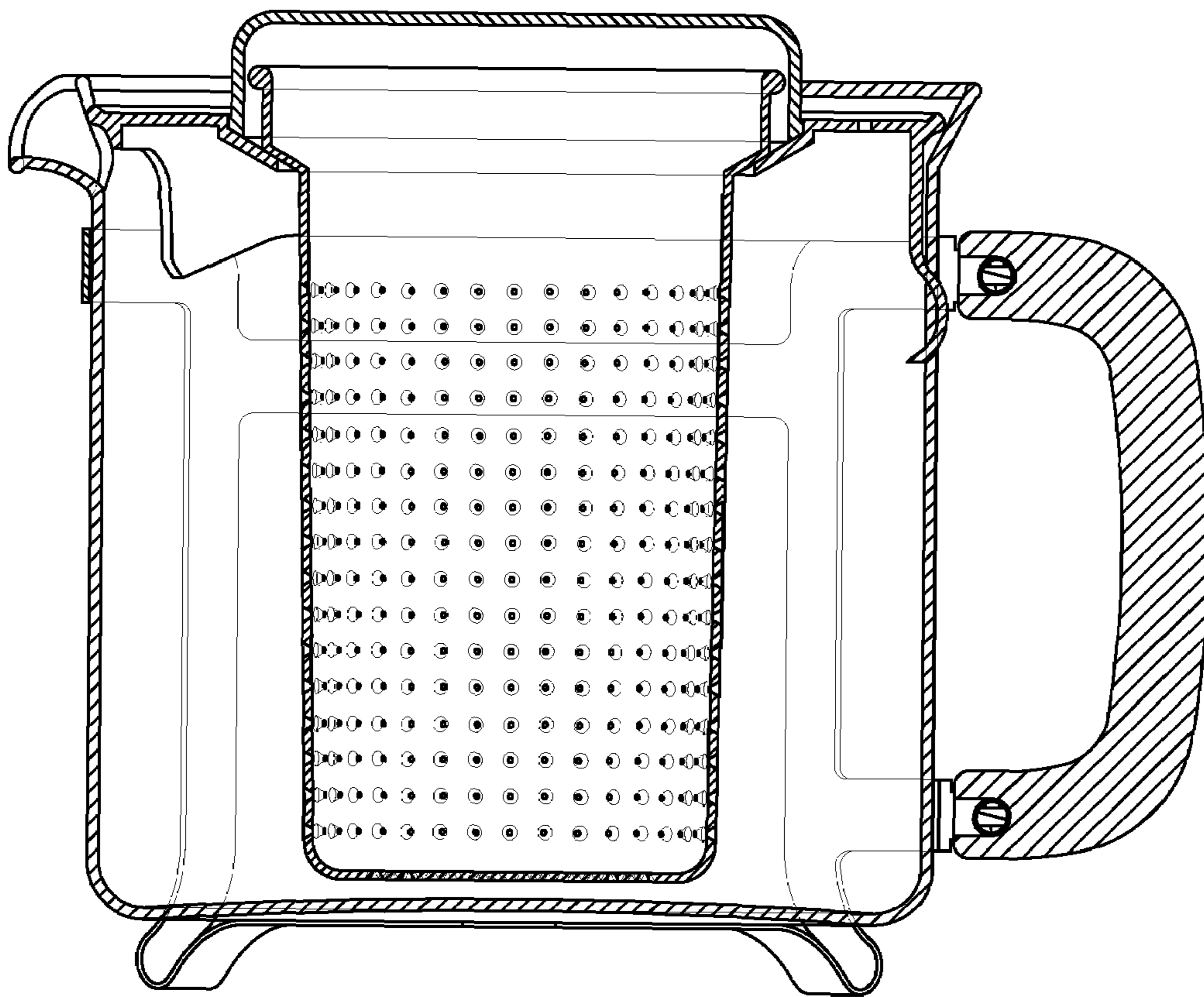


FIG. 16