



US00D559025S

(12) **United States Design Patent**
Williams et al.

(10) **Patent No.:** **US D559,025 S**
(45) **Date of Patent:** **** Jan. 8, 2008**

(54) **SHOWER SHELF**

(75) Inventors: **Emilie Williams**, Fishers, IN (US);
Anthony G. Spangler, Carmel, IN
(US); **Ashley Spangler**, Kansas City,
MO (US)

(73) Assignee: **Masco Corporation of Indiana**,
Indianapolis, IN (US)

(**) Term: **14 Years**

(21) Appl. No.: **29/275,936**

(22) Filed: **Jan. 10, 2007**

(51) **LOC (8) Cl.** **06-04**

(52) **U.S. Cl.** **D6/574**

(58) **Field of Classification Search** D6/524,
D6/525, 567, 574, 540, 553; 108/28-29;
211/13.1, 42, 71.01, 81.01, 88.03, 88.01,
211/90.01, 126.1, 133.5, 133.6; D7/701;
206/77.1

See application file for complete search history.

(56) **References Cited**

U.S. PATENT DOCUMENTS

D182,347 S * 3/1958 Alexander D6/562

D372,847 S * 8/1996 Sparks D6/574
D442,812 S * 5/2001 McMahon et al. D6/525
6,588,030 B1 * 7/2003 Wulff 206/77.1
D501,622 S * 2/2005 Hoernig D6/574

* cited by examiner

Primary Examiner—Brian N Vinson

(74) *Attorney, Agent, or Firm*—Leon E. Redman; Lloyd D.
Doigan

(57) **CLAIM**

The ornamental design for a shower shelf, as shown and
described.

DESCRIPTION

FIG. 1 is a front perspective view of a shower shelf showing
our new design;

FIG. 2 is a front elevational view thereof;

FIG. 3 is a rear elevational view thereof;

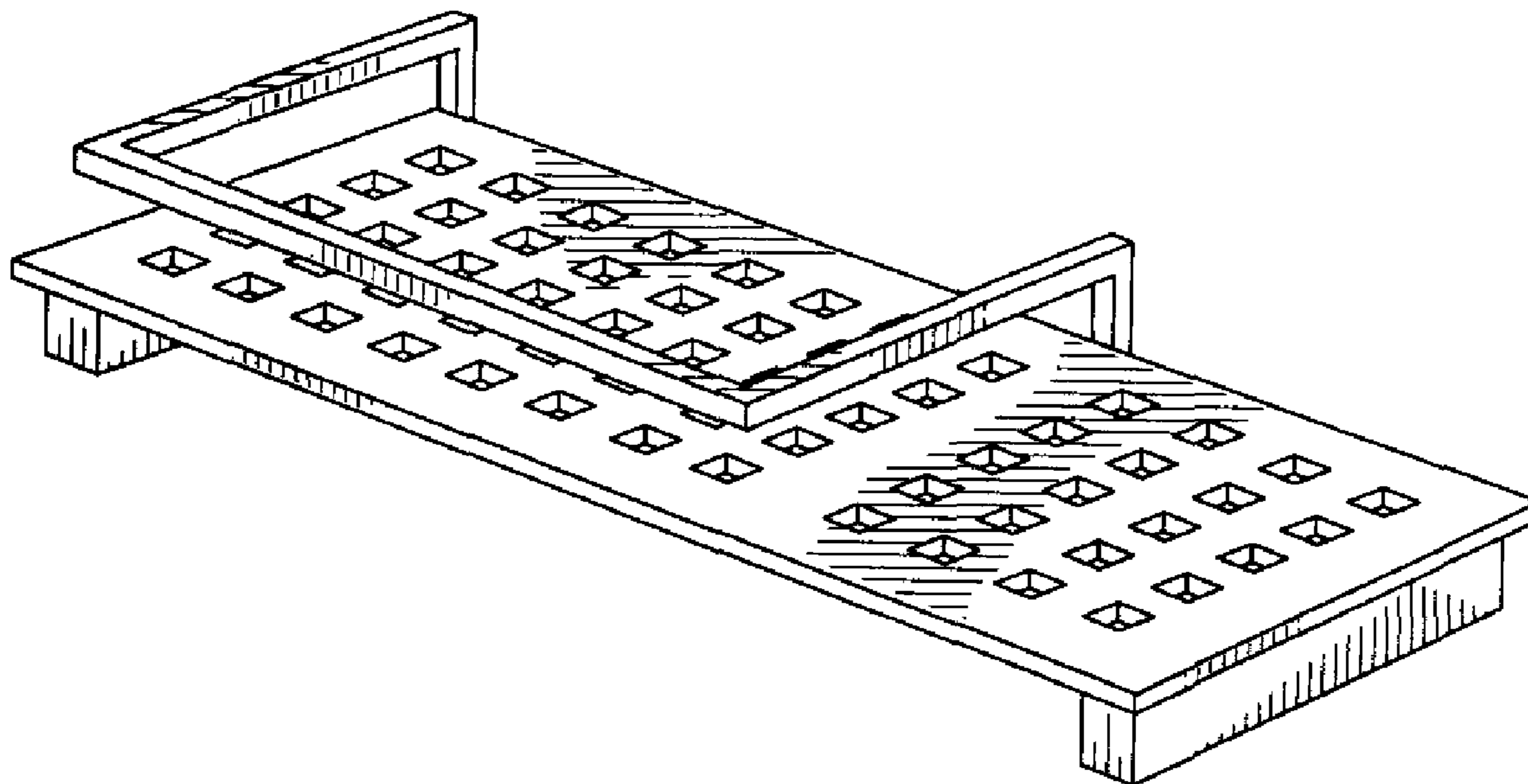
FIG. 4 is a top plan view thereof;

FIG. 5 is a bottom plan view thereof;

FIG. 6 is a right side elevational view thereof; and,

FIG. 7 is a left side elevational view thereof.

1 Claim, 4 Drawing Sheets



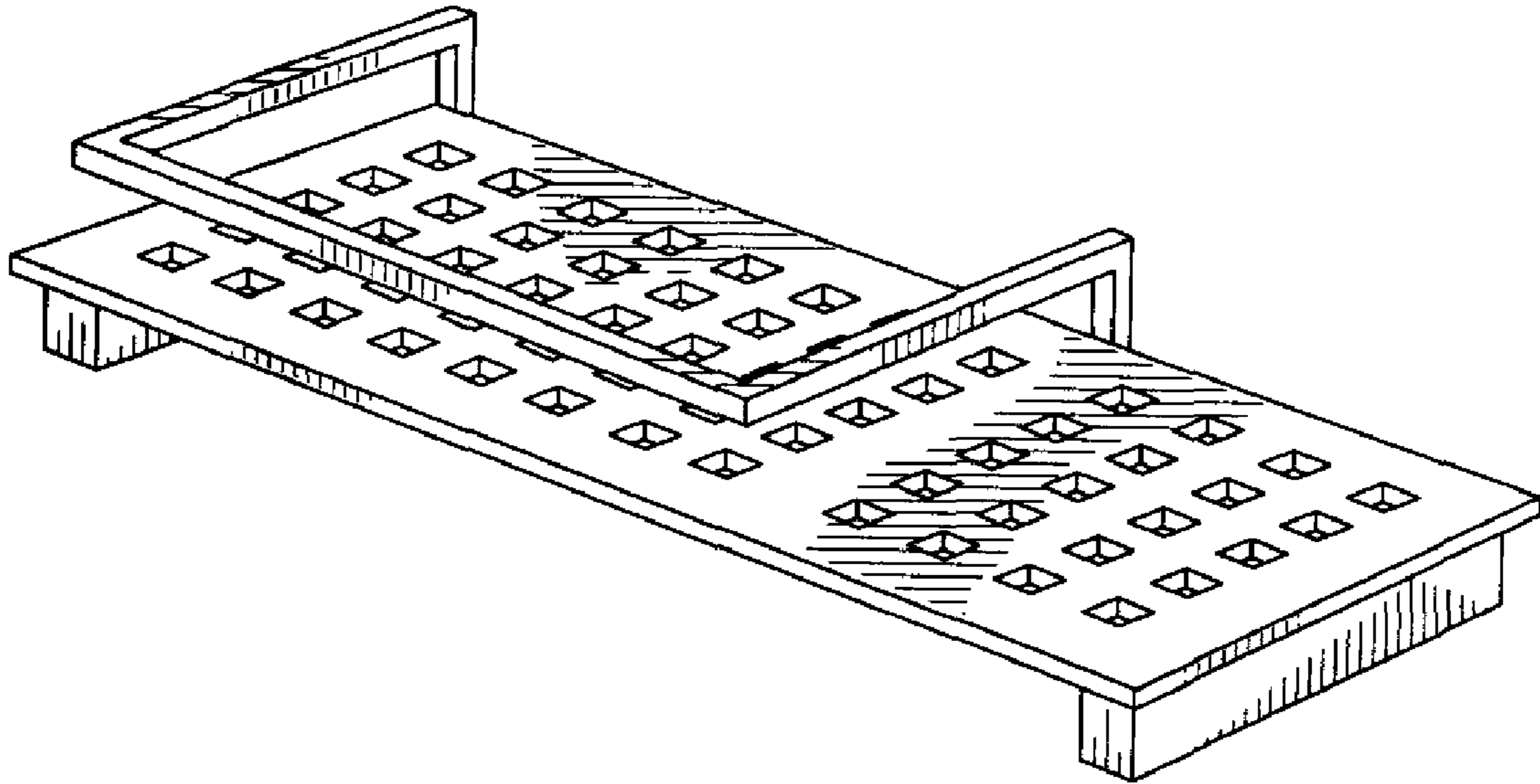


FIG. 1

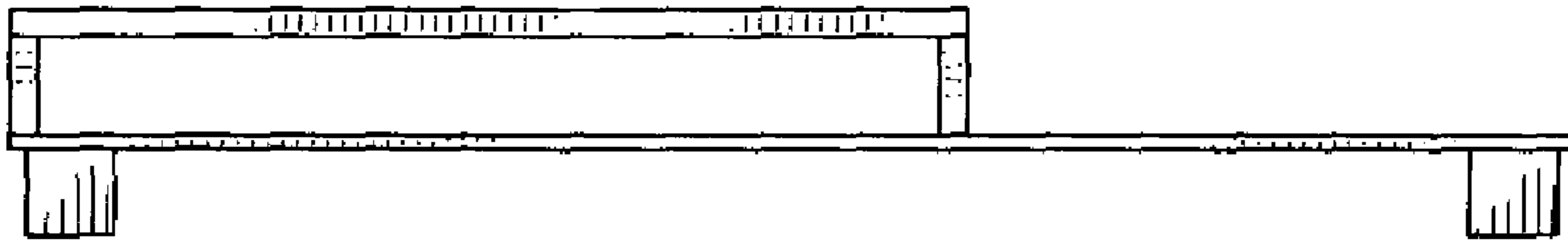


FIG. 2

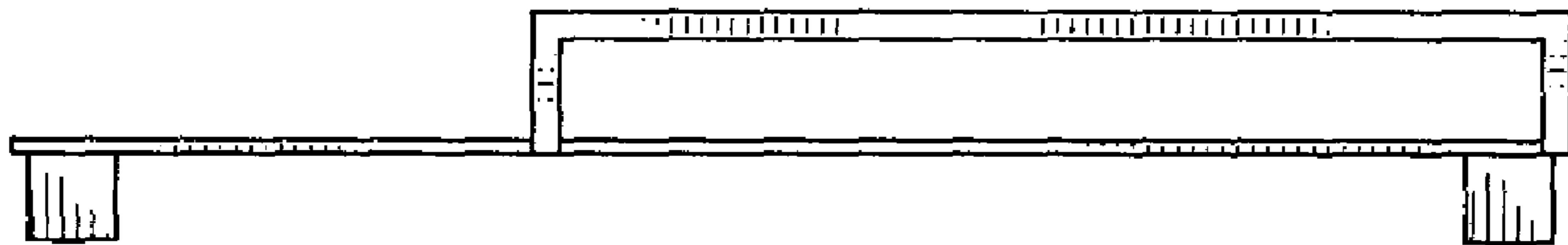


FIG. 3

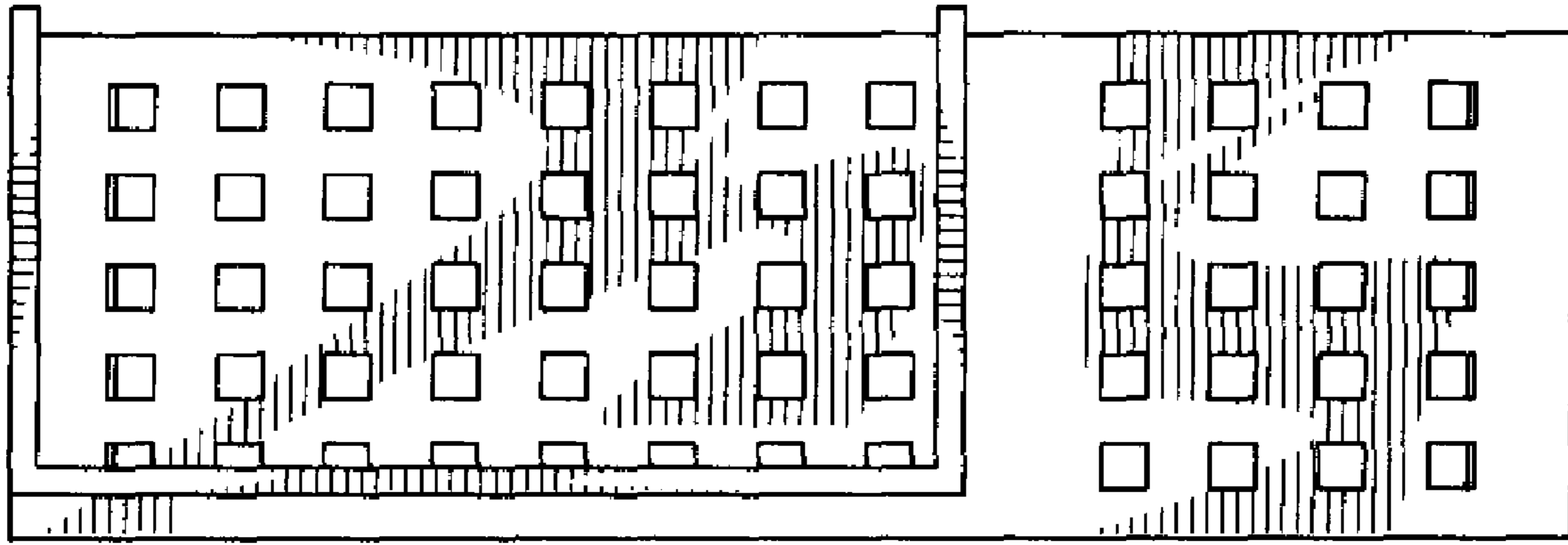


FIG. 4

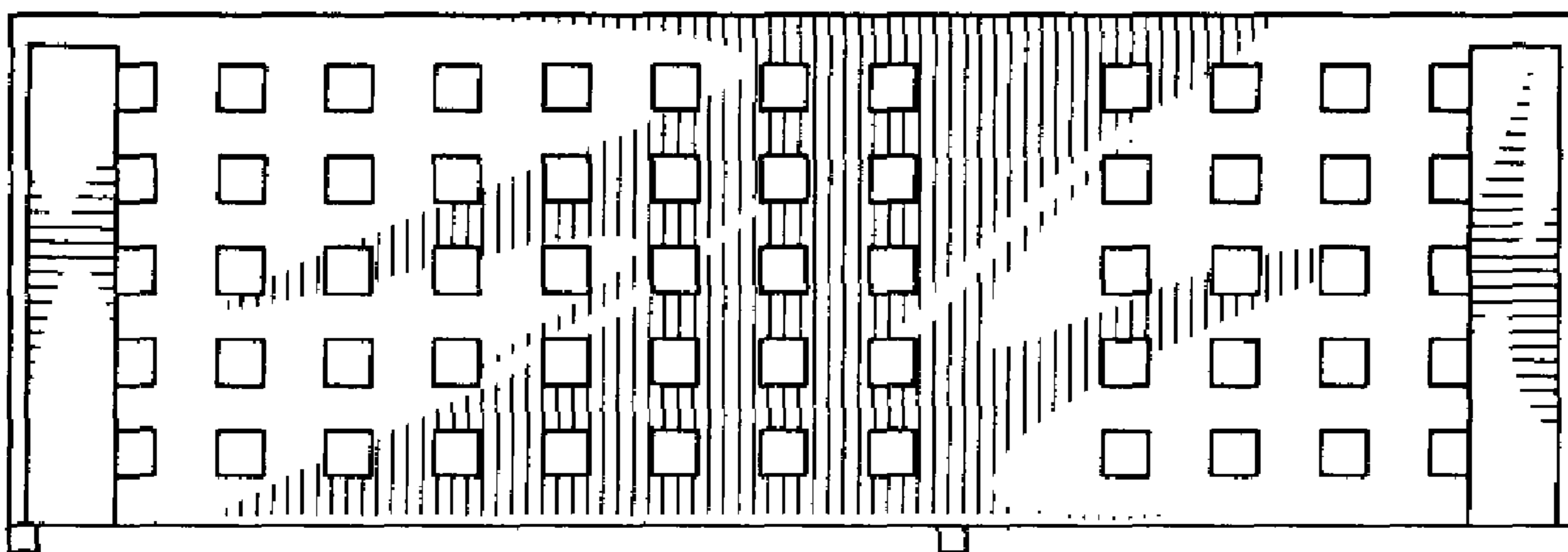


FIG. 5

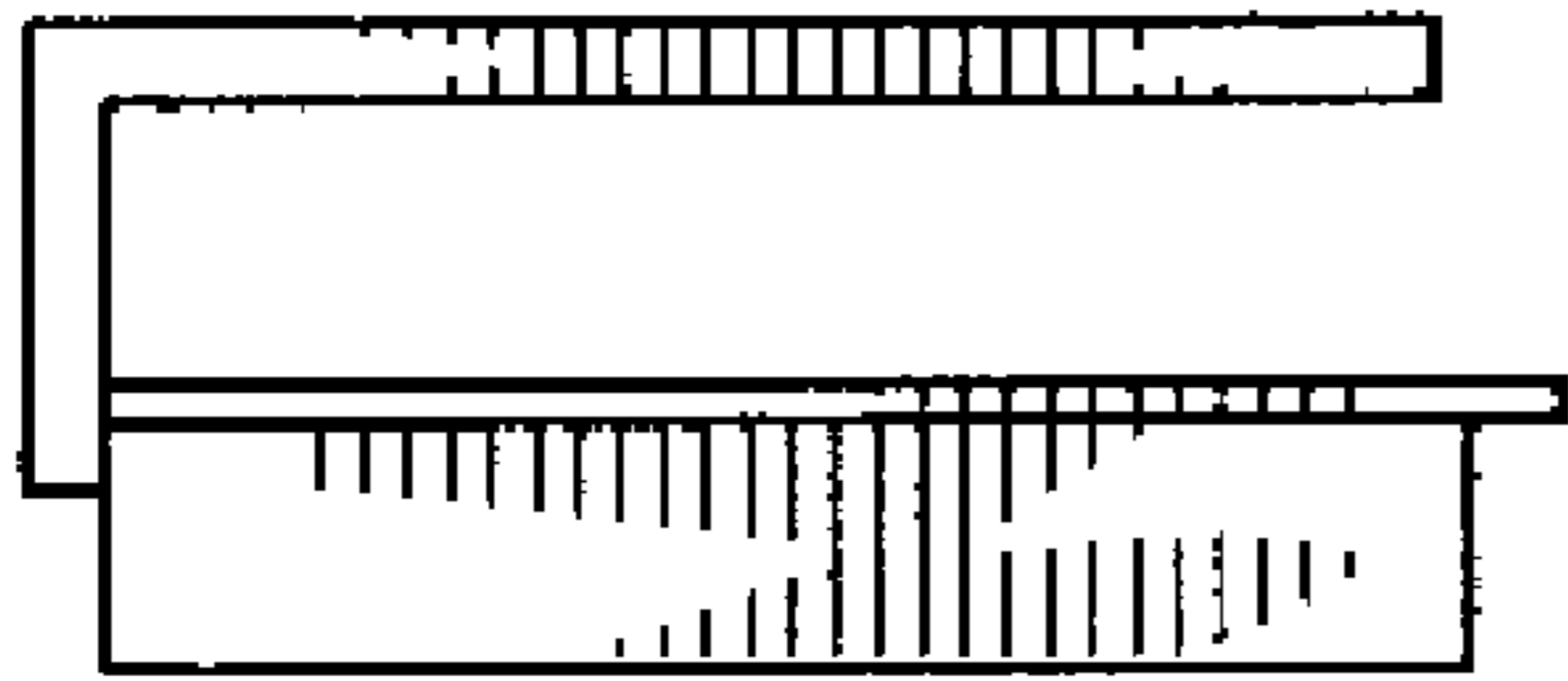


FIG. 6

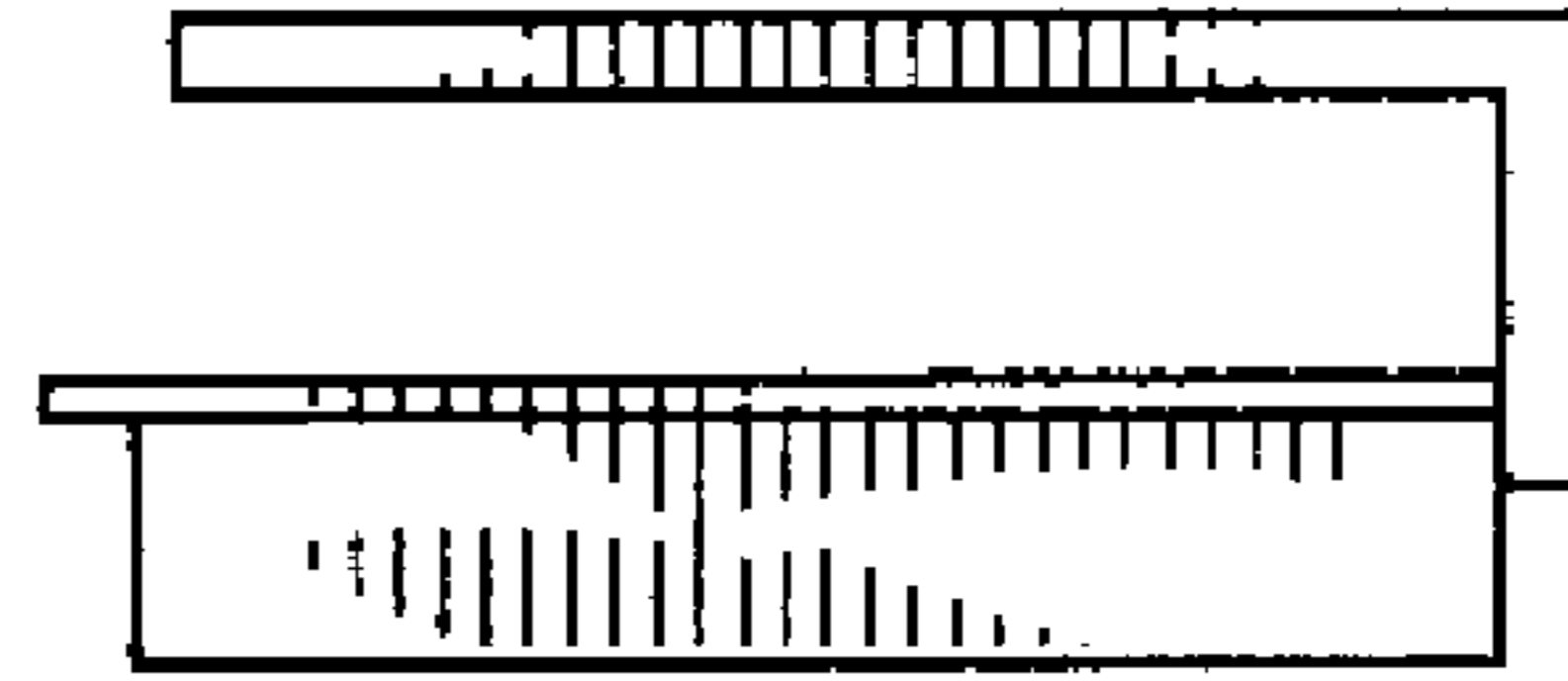


FIG. 7