



US00D559024S

(12) **United States Design Patent**
Tau

(10) **Patent No.:** **US D559,024 S**

(45) **Date of Patent:** **** Jan. 8, 2008**

(54) **STORAGE BASKET**

(75) Inventor: **Michael Scott Tau**, Charlotte, NC (US)

(73) Assignee: **Brasstech, Inc.**, Santa Ana, CA (US)

(**) Term: **14 Years**

(21) Appl. No.: **29/248,364**

(22) Filed: **Aug. 11, 2006**

(51) **LOC (8) Cl.** **06-04**

(52) **U.S. Cl.** **D6/566**

(58) **Field of Classification Search** D6/540,
D6/553, 567; D3/201, 304, 315, 901; 206/77.1,
206/5, 207, 349, 361, 363, 812; 211/13.1,
211/85.1, 85.12, 70.6, 86.01, 87.01, 119.009
See application file for complete search history.

(56) **References Cited**

U.S. PATENT DOCUMENTS

D388,993 S *	1/1998	Hampshire	D6/567
D417,575 S *	12/1999	Ming-Hsiao	D6/540
D436,276 S *	1/2001	Fiegl et al.	D6/553
D453,651 S *	2/2002	Snell	D6/553

D512,255 S *	12/2005	Snell	D6/567
D532,235 S *	11/2006	Snell	D6/567
D532,236 S *	11/2006	Dretzka	D6/567
D543,403 S *	5/2007	Tau	D6/540

* cited by examiner

Primary Examiner—Brian N Vinson

(74) *Attorney, Agent, or Firm*—Edgar A. Zarins; Lloyd D. Doigan

(57) **CLAIM**

The ornamental design for a storage basket, as shown and described.

DESCRIPTION

FIG. 1 is a front perspective view of a storage basket showing my design;

FIG. 2 is a front elevational view thereof;

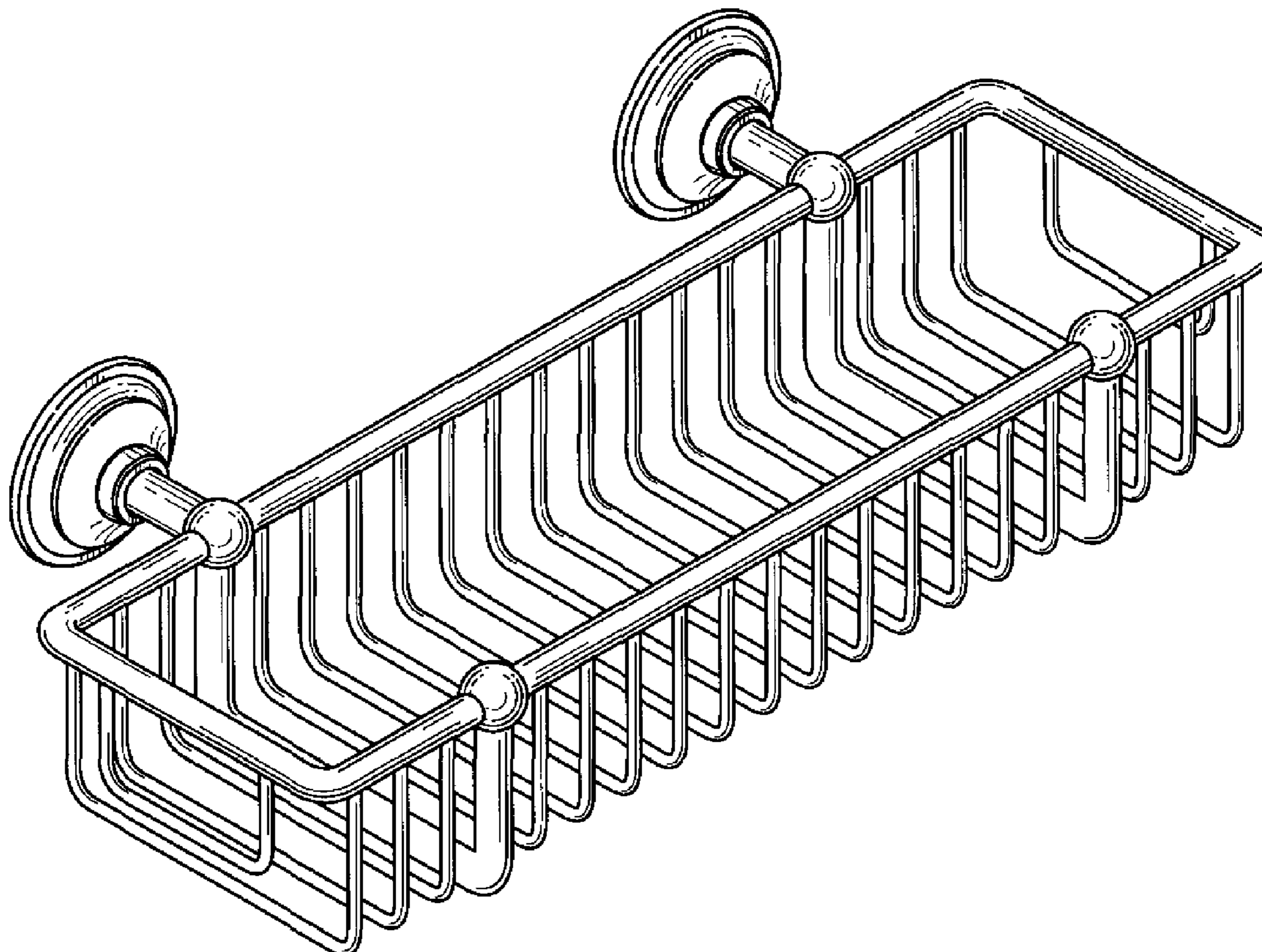
FIG. 3 is a top plan view thereof;

FIG. 4 is a right side elevational view thereof;

FIG. 5 is a left side elevational view thereof; and,

FIG. 6 is a bottom plan view thereof.

1 Claim, 5 Drawing Sheets



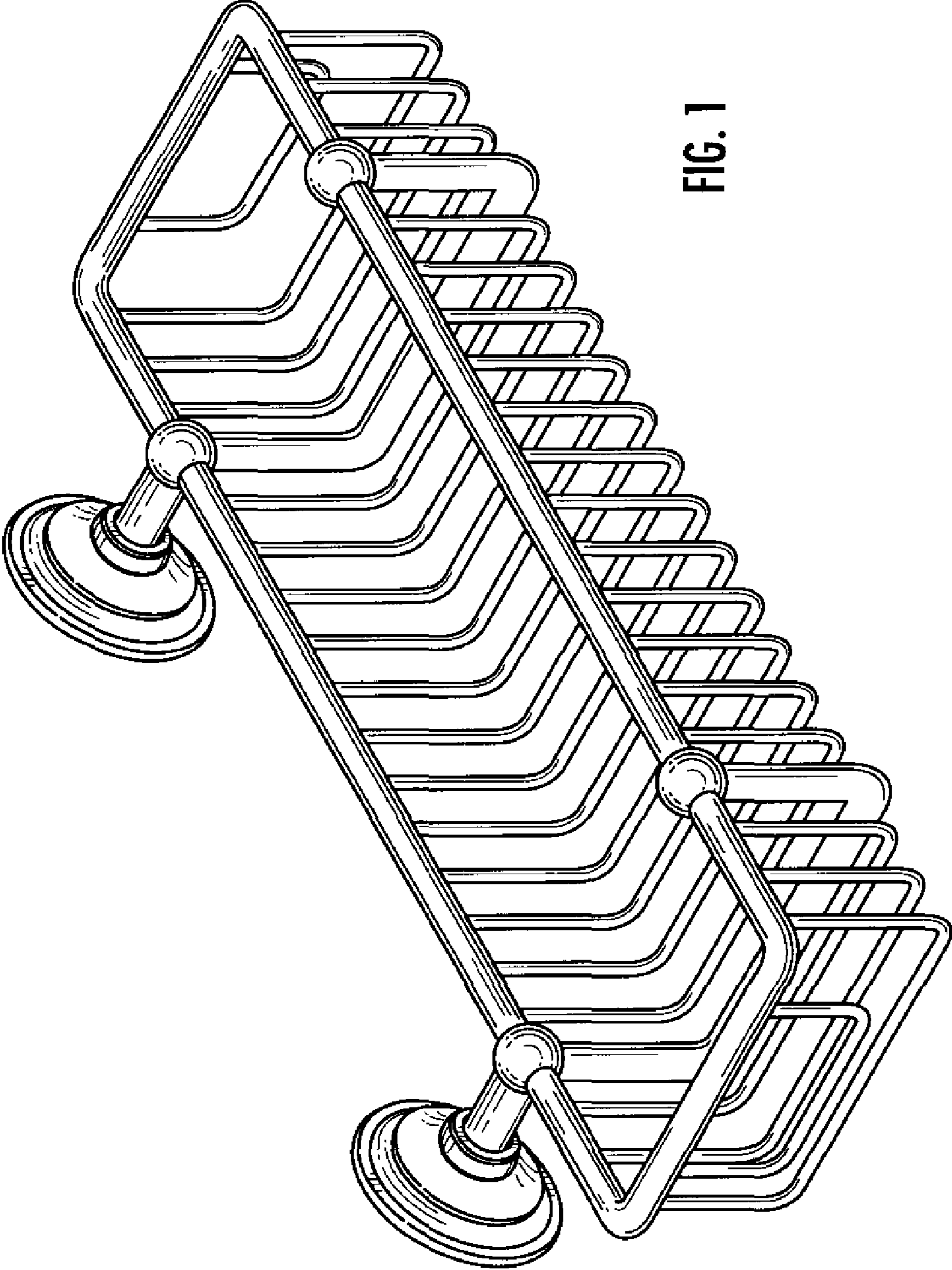


FIG. 1

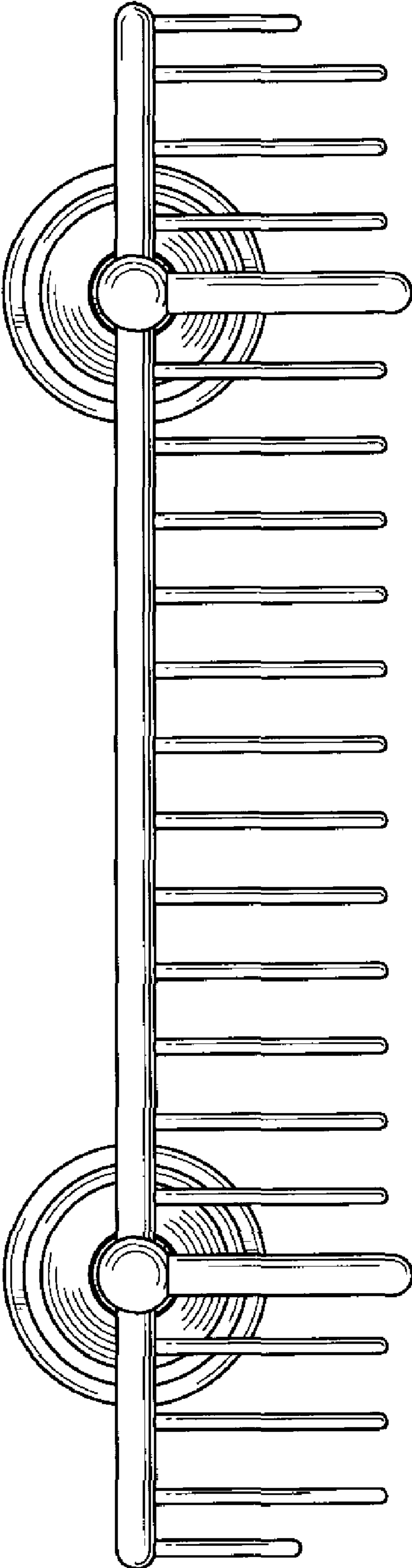


FIG. 2

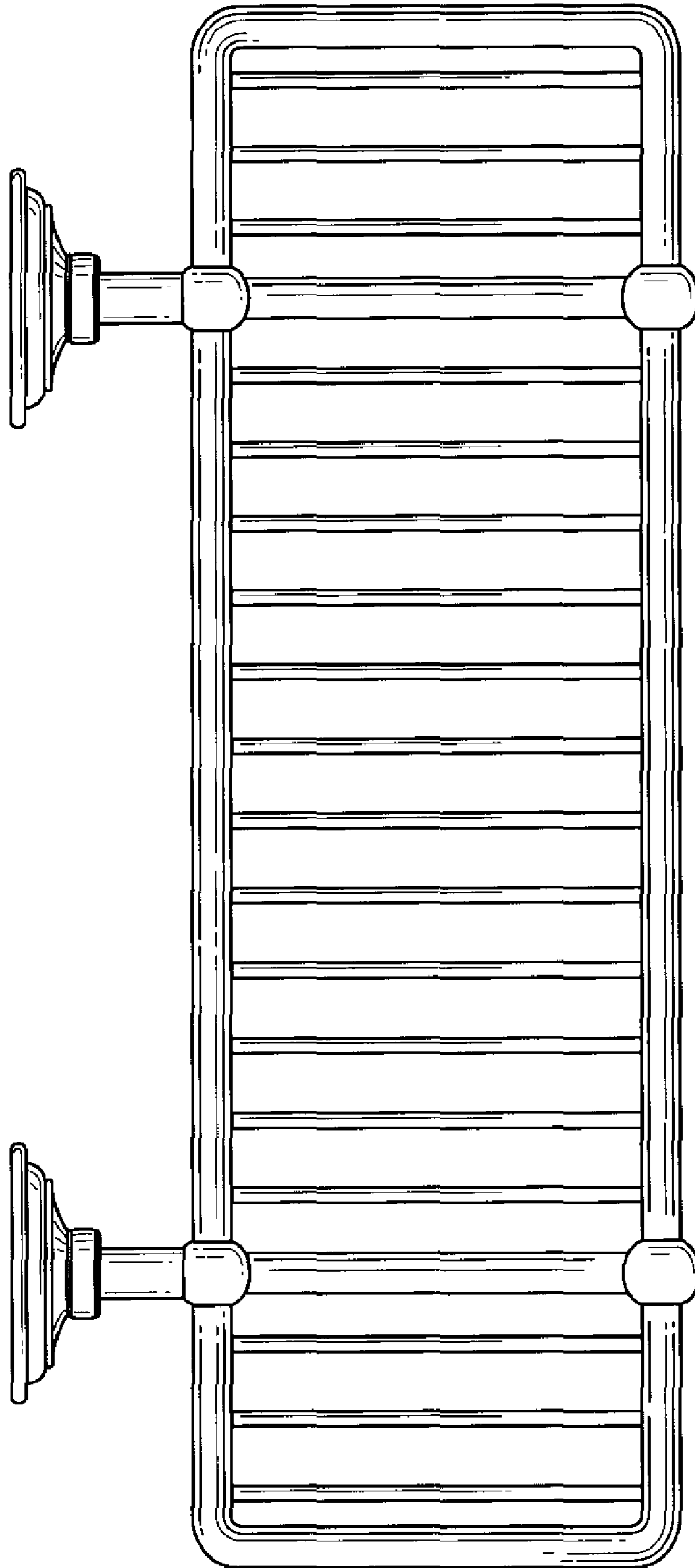


FIG. 3

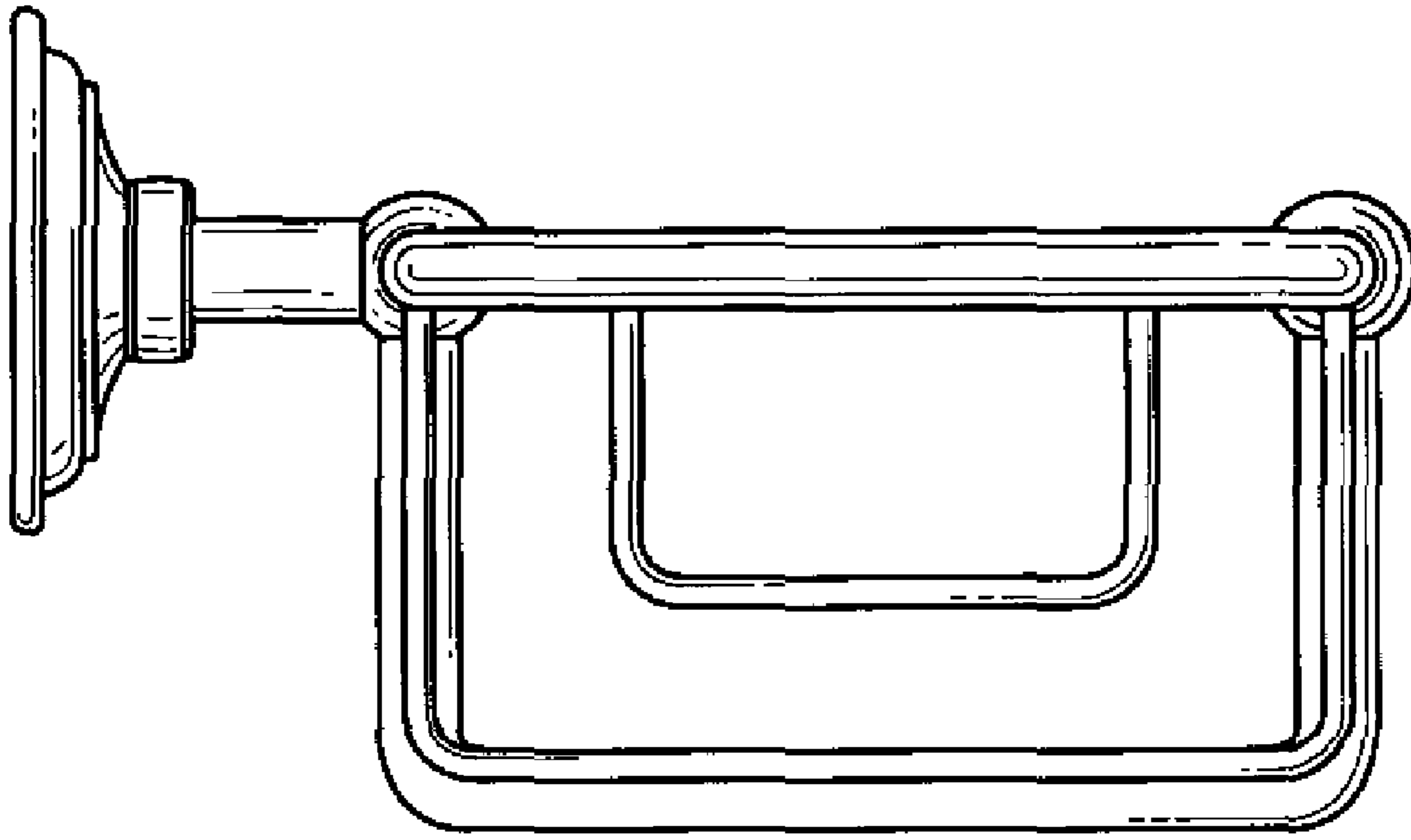


FIG. 4

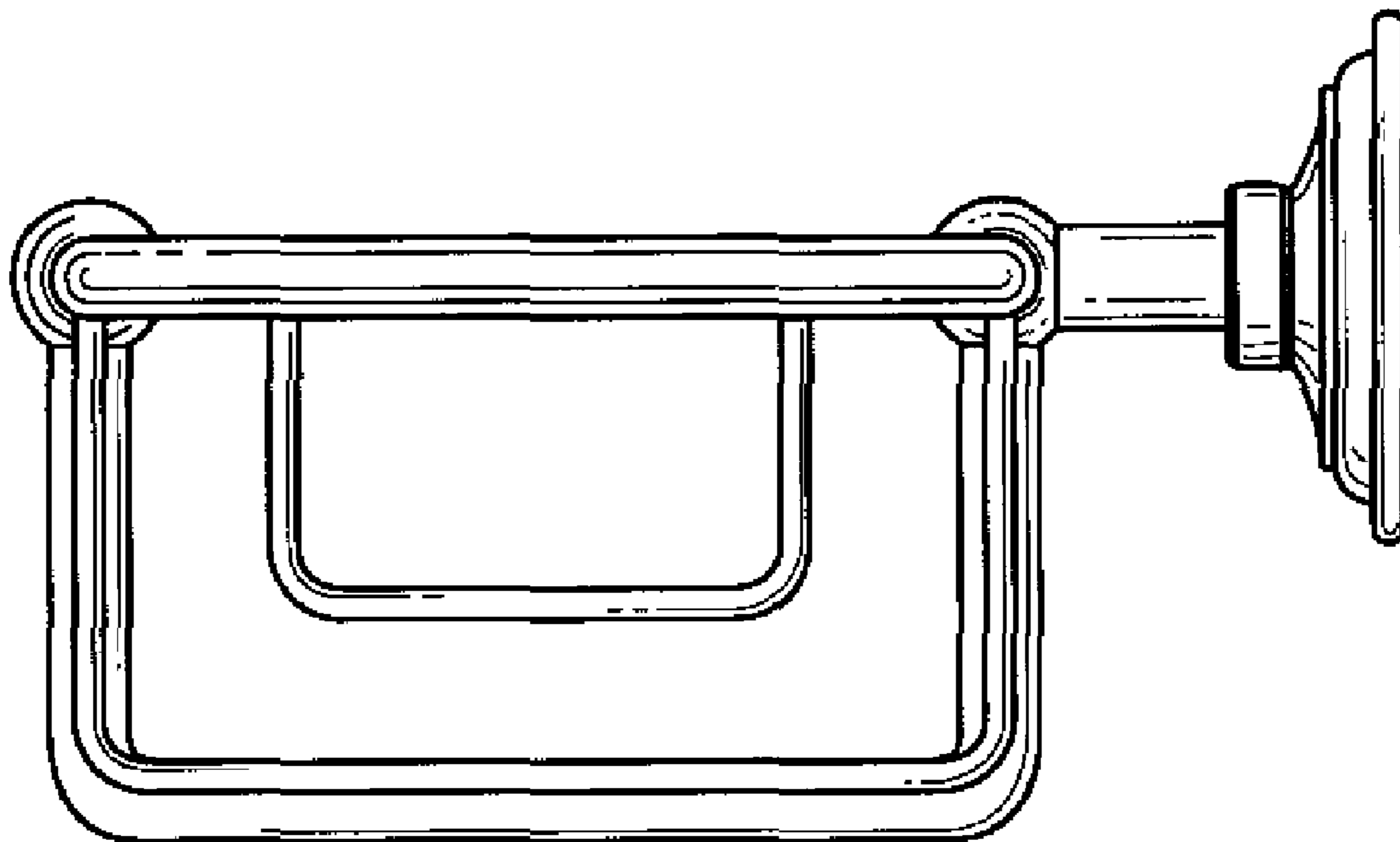


FIG. 5

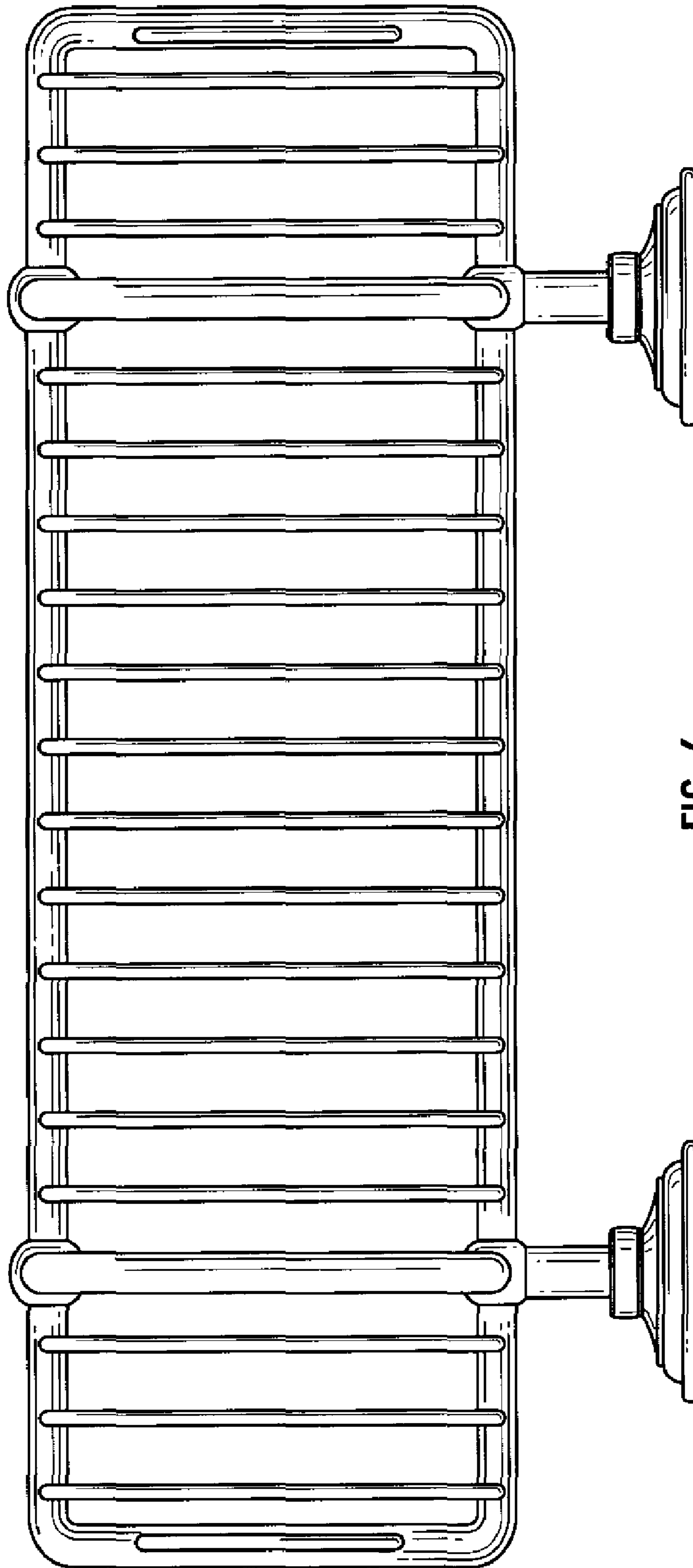


FIG. 6