



US00D559021S

(12) **United States Design Patent**  
**Braxton**

(10) **Patent No.:** **US D559,021 S**

(45) **Date of Patent:** **\*\* Jan. 8, 2008**

(54) **PIECE DESIGNED FOR A SECTIONAL WEDGE**

5,335,962 A \* 8/1994 Gera ..... 297/232  
5,395,156 A \* 3/1995 Friedman ..... 297/232  
D493,966 S \* 8/2004 Rach ..... D6/349

(76) Inventor: **Paul Braxton**, 3200 Old Canoe Creek Rd., St. Cloud, FL (US) 34772

\* cited by examiner

(\*\*) Term: **14 Years**

*Primary Examiner*—Sandra Snapp

(21) Appl. No.: **29/248,848**

(57) **CLAIM**

(22) Filed: **Sep. 7, 2006**

The ornamental design for piece designed for a sectional wedge, as shown and described.

(51) **LOC (8) Cl.** ..... **06-01**

(52) **U.S. Cl.** ..... **D6/500**

(58) **Field of Classification Search** ..... D6/349–353,  
D6/355, 364, 484, 334, 500–502; 297/258.1,  
297/259.1, 440.12, 445.1, 451.4, 461–462,  
297/187

See application file for complete search history.

**DESCRIPTION**

FIG. 1 is a perspective view of a piece designed for a sectional wedge of the present invention, illustrating a couch in phantom outline, the broken lines showing the couch for illustrative purposes only and forming no part of the claimed design;

FIG. 2 is a rear elevational view of the invention;

FIG. 3 is a front elevational view of the invention;

FIG. 4 is a left-side elevational view of the invention, the right-side elevational view being a mirror image thereof;

FIG. 5 is a top plan view of the invention; and,

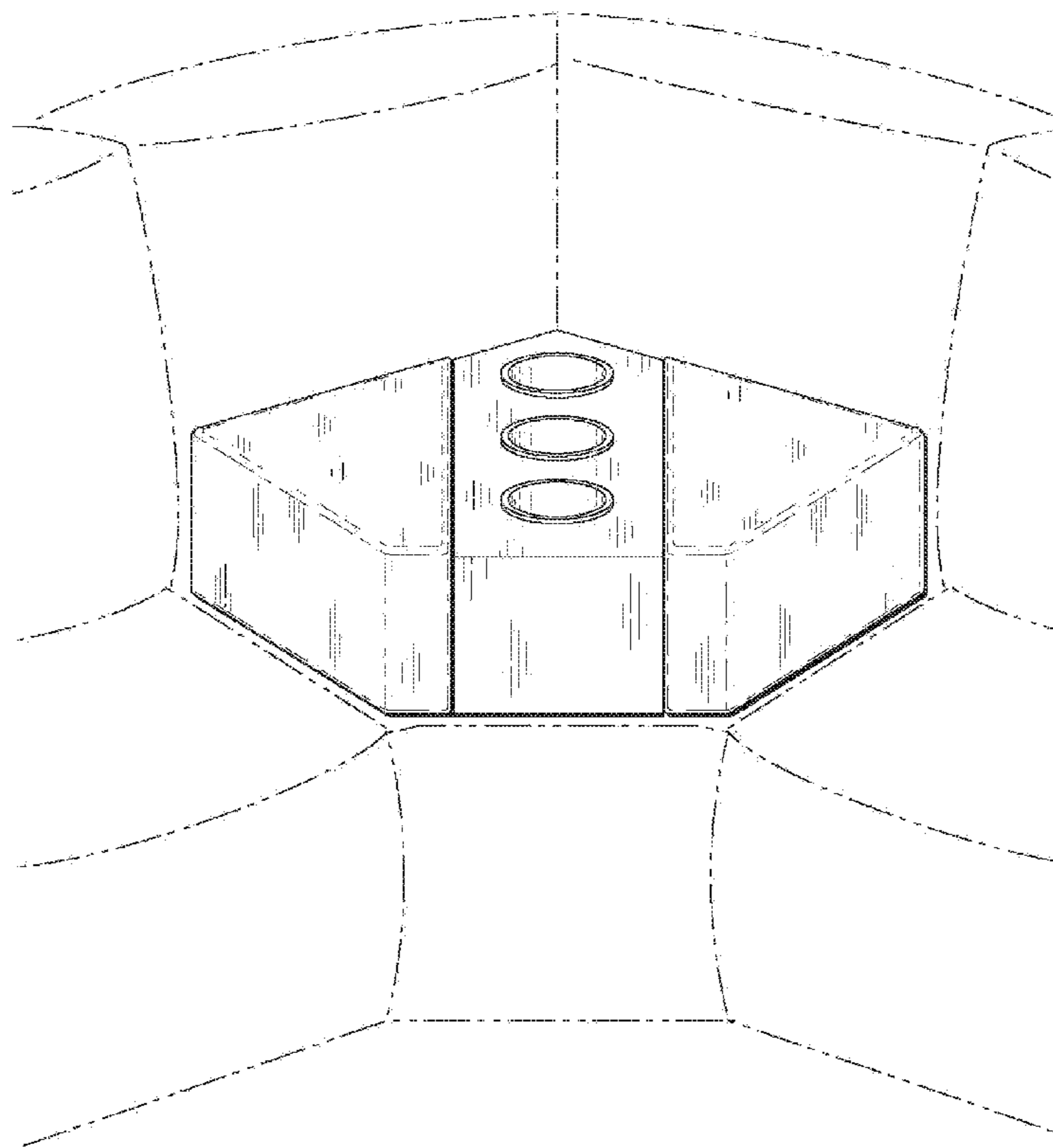
FIG. 6 is a bottom plan view of the invention.

(56) **References Cited**

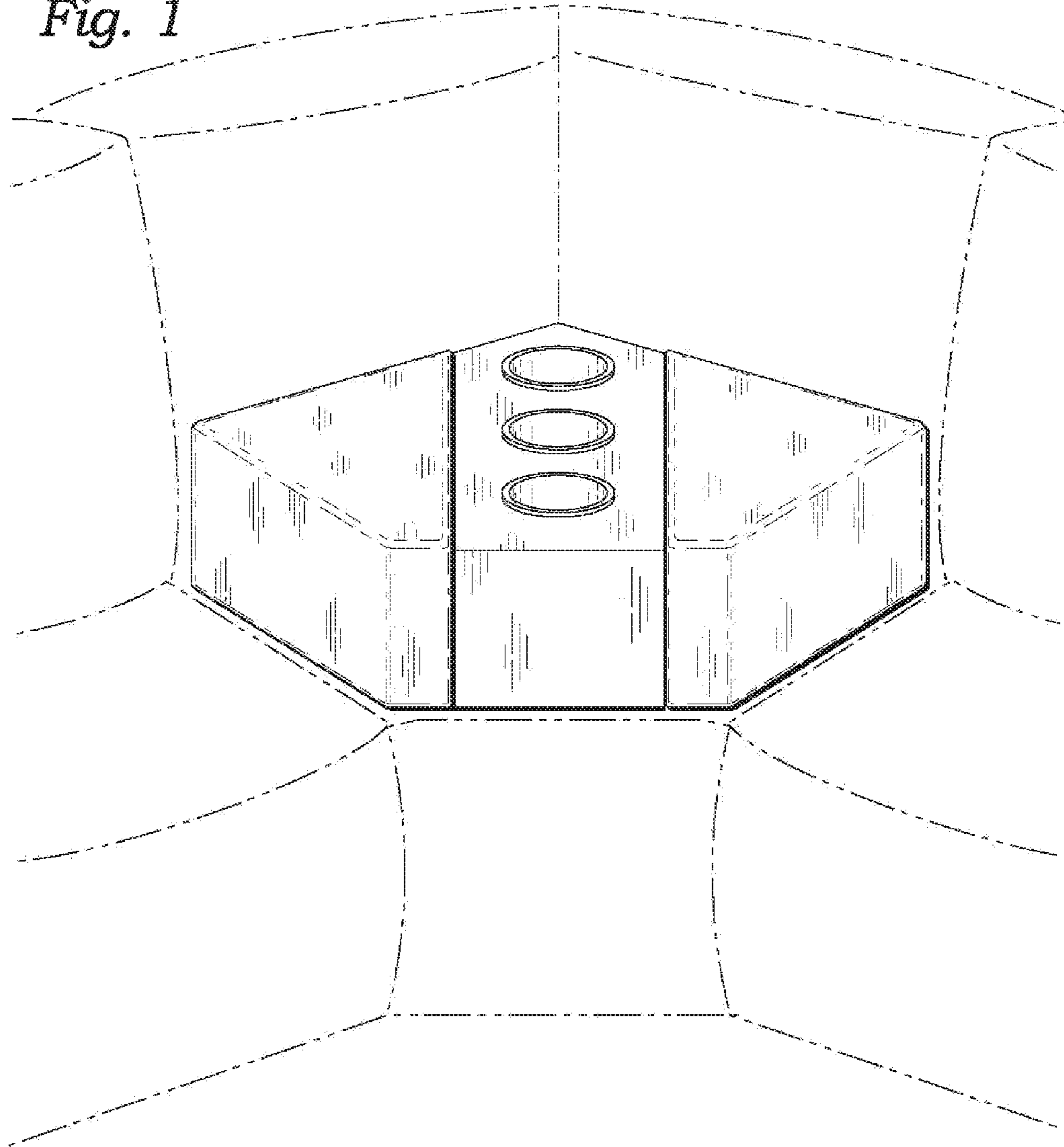
**U.S. PATENT DOCUMENTS**

2,164,715 A \* 7/1939 Krainbill ..... 297/115  
2,264,491 A \* 12/1941 Ward ..... 297/233  
4,046,421 A \* 9/1977 Spound et al. .... 297/232  
D245,951 S \* 10/1977 Lande ..... D6/336  
D253,377 S \* 11/1979 Spound et al. .... D6/352  
D261,954 S \* 11/1981 Aronowitz et al. .... D6/364  
D261,955 S \* 11/1981 Aronowitz et al. .... D6/364

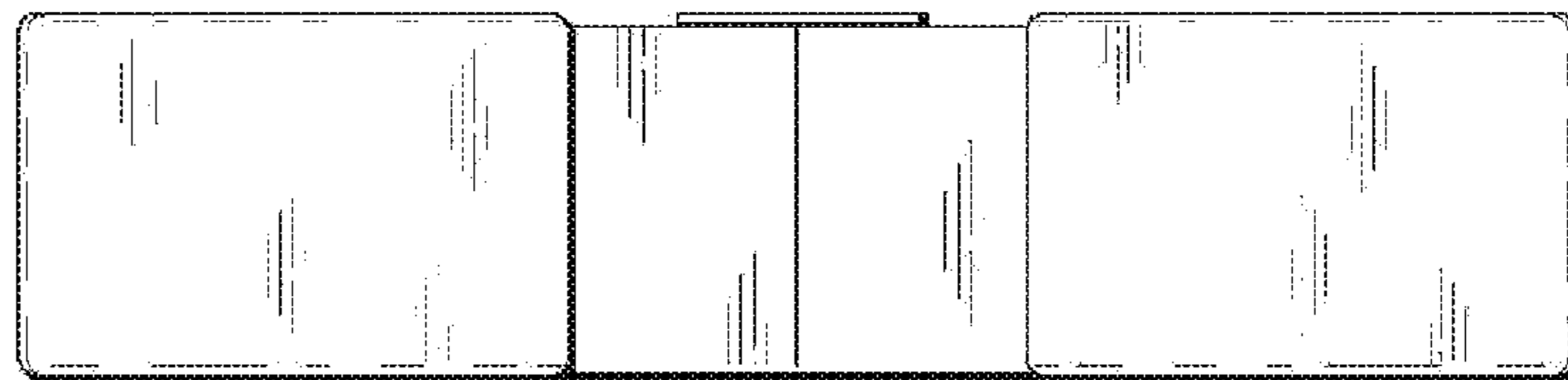
**1 Claim, 2 Drawing Sheets**



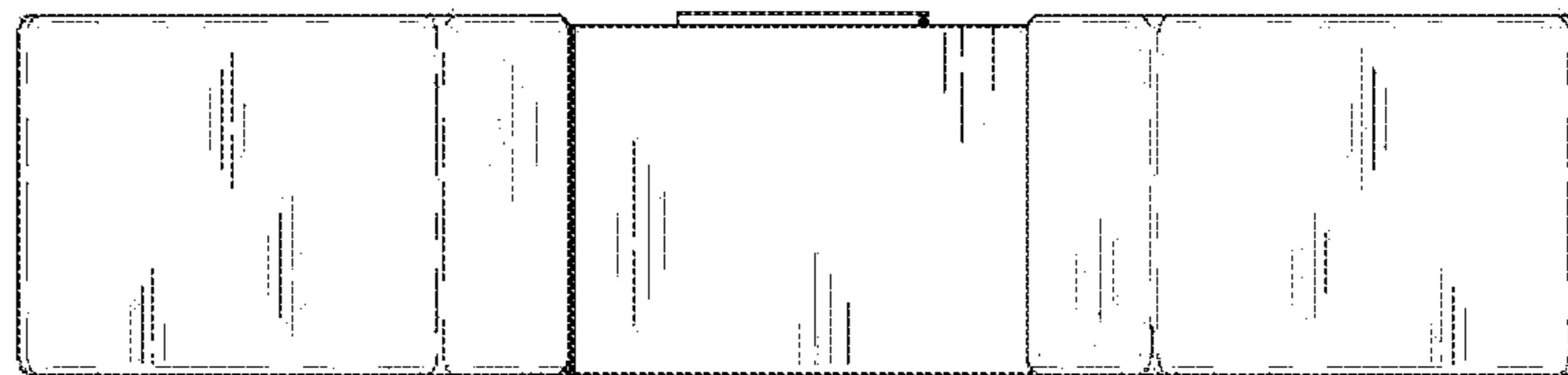
*Fig. 1*



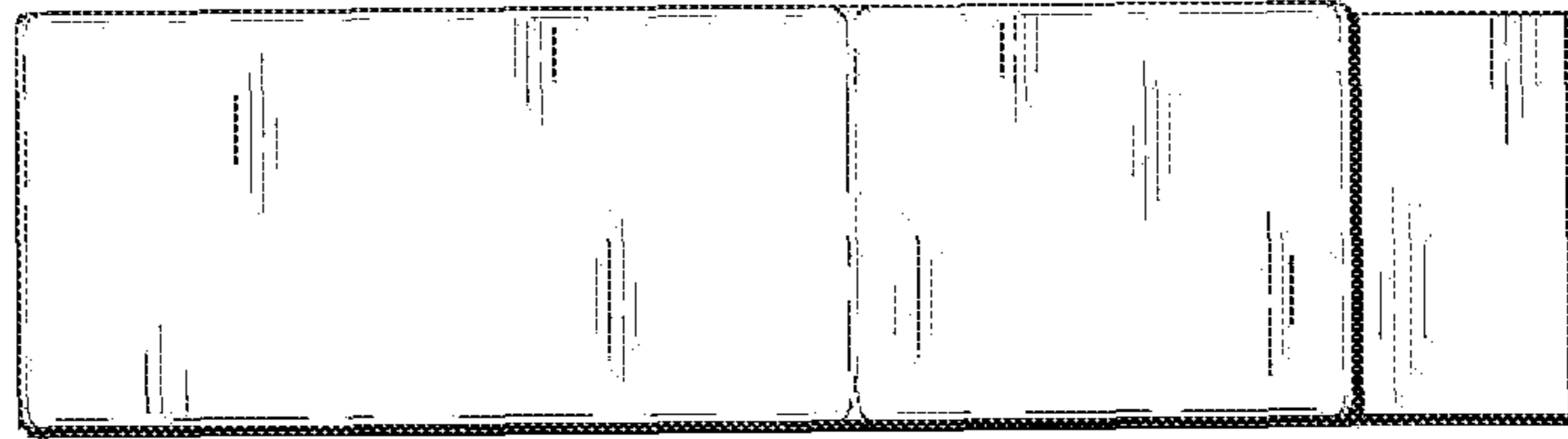
*Fig. 2*



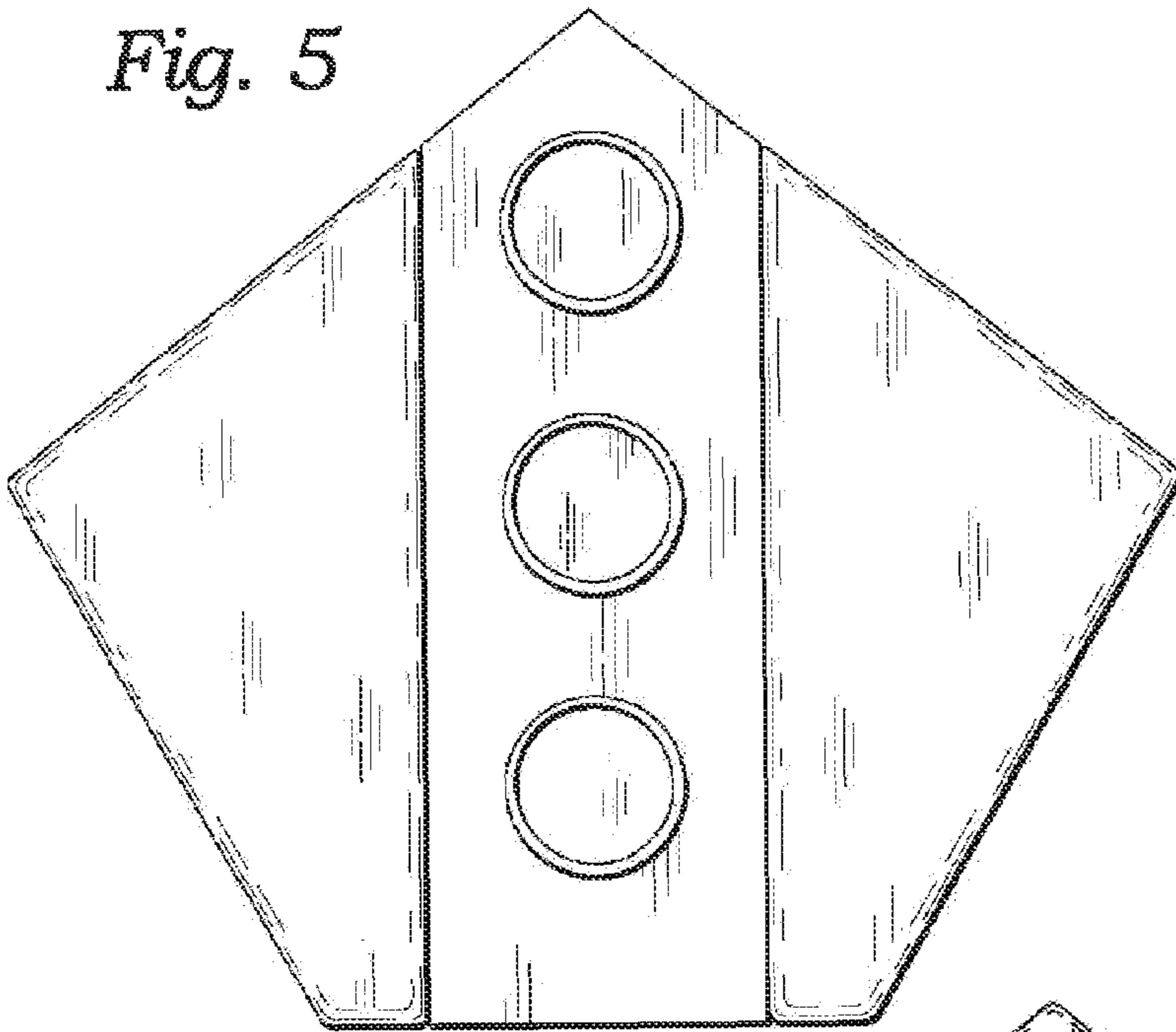
*Fig. 3*



*Fig. 4*



*Fig. 5*



*Fig. 6*

