



US00D559020S

(12) **United States Design Patent** (10) **Patent No.:** **US D559,020 S**
Desnoyers et al. (45) **Date of Patent:** **** Jan. 8, 2008**

(54) **ROCKING CHAIR BASE**

2006/0033368 A1 2/2006 Longnecker

(75) Inventors: **Charles Desnoyers**, St-Pie (CA); **Eric Fontaine**, St-Liboire (CA)

* cited by examiner

(73) Assignee: **Dutailier International Inc.**, St-Pie, Quebec (CA)

Primary Examiner—Mimosa De
(74) *Attorney, Agent, or Firm*—Francois Martineau

(**) Term: **14 Years**

(57) **CLAIM**

(21) Appl. No.: **29/272,800**

The ornamental design for a rocking chair base, as shown and described.

(22) Filed: **Feb. 20, 2007**

DESCRIPTION

(51) **LOC (8) Cl.** **06-06**

(52) **U.S. Cl.** **D6/495; D6/344**

(58) **Field of Classification Search** D6/334–336,
D6/344, 345, 346, 347, 348, 491, 495, 496,
D6/500–502; 297/270.3, 273, 281
See application file for complete search history.

FIG. 1 is a front perspective view of a rocking chair in its rest position, showing the rocking chair base of the present design in solid lines, and further showing the seat, two armrests and a backrest attached to said base in dotted lines;

FIG. 2 is a front perspective view similar to FIG. 1, but with the chair swung forwardly;

FIG. 3 is a front perspective view similar to FIG. 1, but with the chair swung rearwardly;

FIG. 4 is a left side elevation of the chair of FIG. 1, with the chair in its rest position;

FIG. 5 is a left side elevation similar to FIG. 4, but with the chair swung forwardly;

FIG. 6 is a left side elevation similar to FIG. 4, but with the chair swung rearwardly;

FIG. 7 is a right side elevation of the chair of FIG. 1, with the chair in its rest position;

FIG. 8 is a front elevation of the chair of FIG. 1, with the chair in its rest position;

FIG. 9 is a rear elevation of the chair of FIG. 1, with the chair in its rest position;

FIG. 10 is a top plan view of the chair of FIG. 1, with the chair in its rest position; and,

FIG. 11 is a bottom plan view of the chair of FIG. 1, with the chair in its rest position.

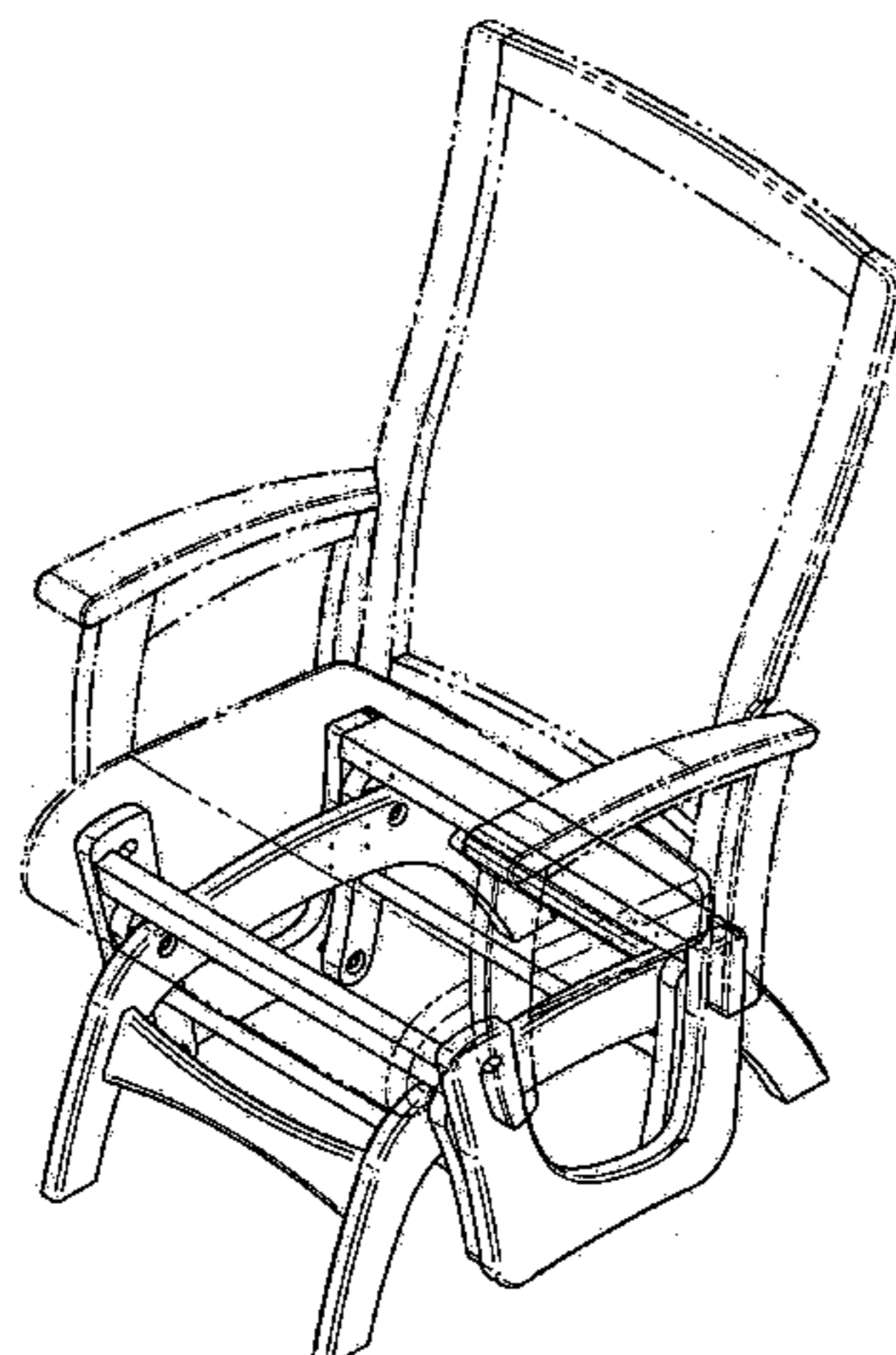
The broken lines shown in the drawing are for illustrative purposes only and form no part of the claimed design.

(56) **References Cited**

U.S. PATENT DOCUMENTS

251,783 A	1/1882	Johnson	
319,732 A	6/1885	Lauer	
383,808 A	5/1888	Hall	
485,435 A	11/1892	Stern	
676,788 A	6/1901	Wallis	
1,579,085 A	3/1926	Cotner	
1,949,282 A	2/1934	Murray	
2,567,341 A	11/1951	Martin	
3,994,468 A	11/1976	Carter et al.	
4,209,198 A	6/1980	Apple, Sr.	
D319,544 S *	9/1991	Desnoyers	D6/344
D332,704 S *	1/1993	Desnoyers	D6/347
5,253,921 A	10/1993	Boulet	
5,570,930 A	11/1996	LaPointe et al.	
5,685,601 A	11/1997	Corriveau	
D388,982 S *	1/1998	Desnoyers	D6/500
D391,409 S *	3/1998	Brooks	D6/344
5,890,767 A	4/1999	Chang	
6,241,317 B1	6/2001	Wu	
6,557,942 B1	5/2003	Shich	
D492,129 S	6/2004	Noll	
6,752,464 B1	6/2004	Tseng	
2004/0007908 A1	1/2004	Huang	

1 Claim, 11 Drawing Sheets



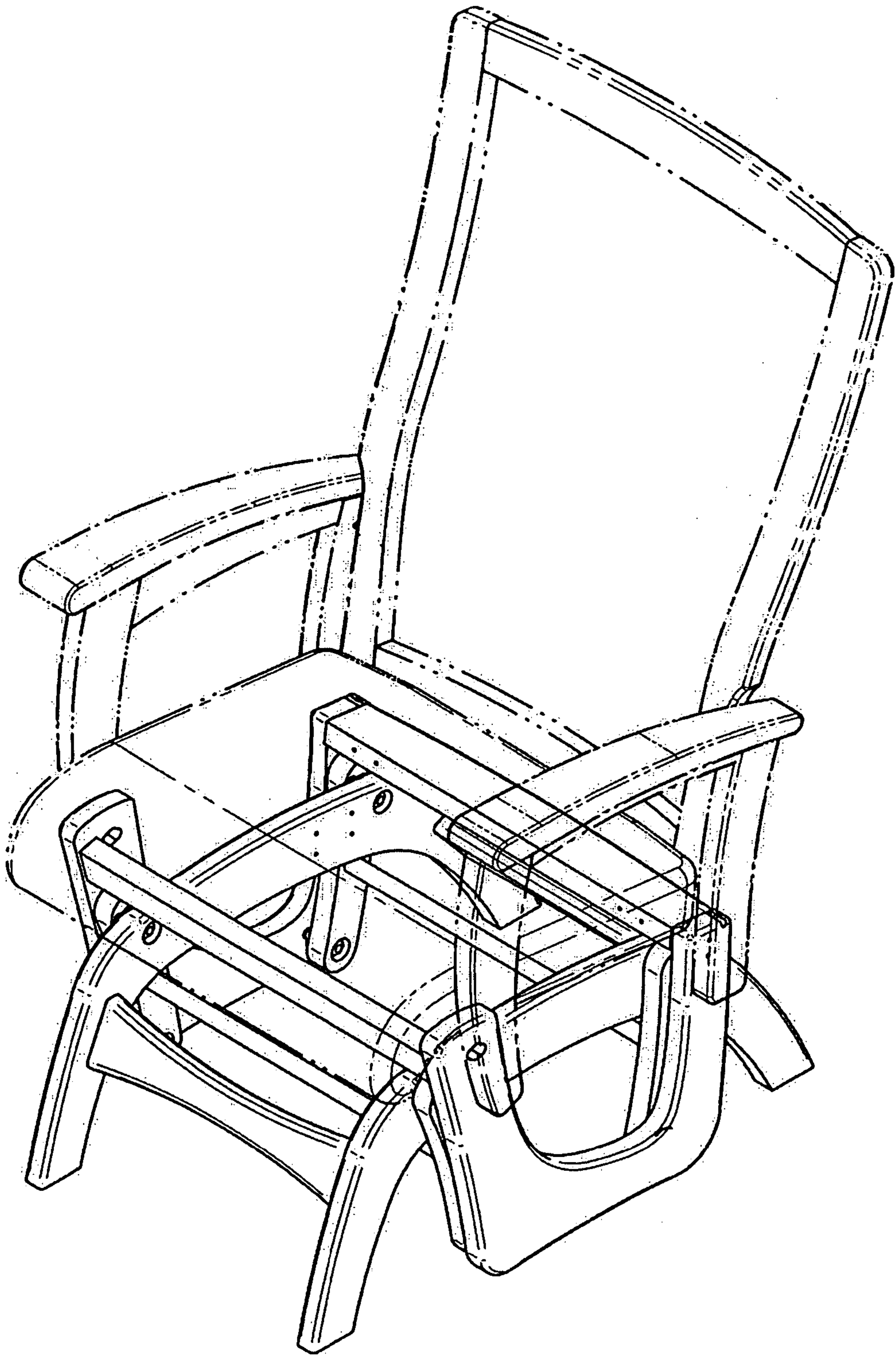


Fig. 1

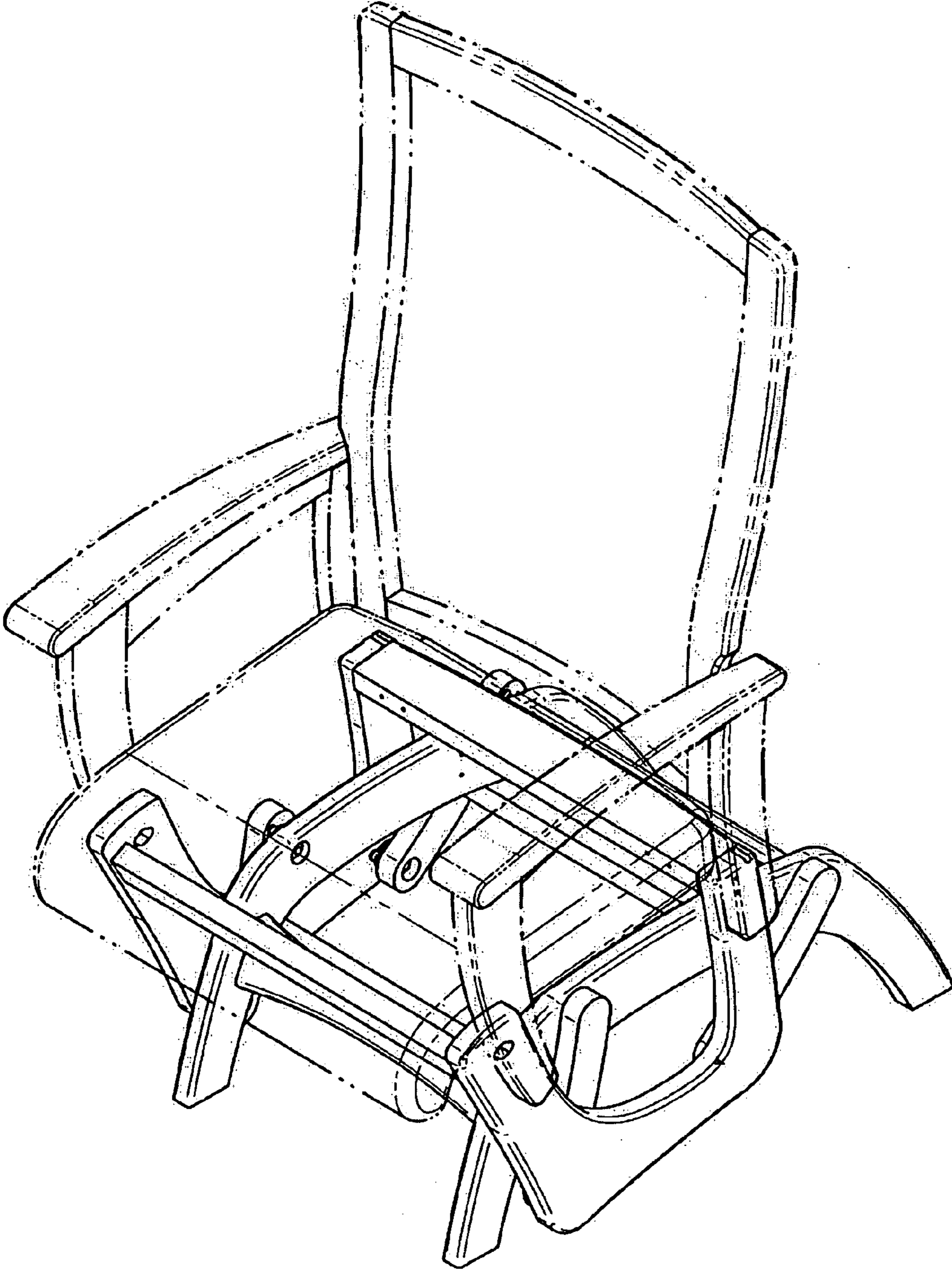


Fig. 2

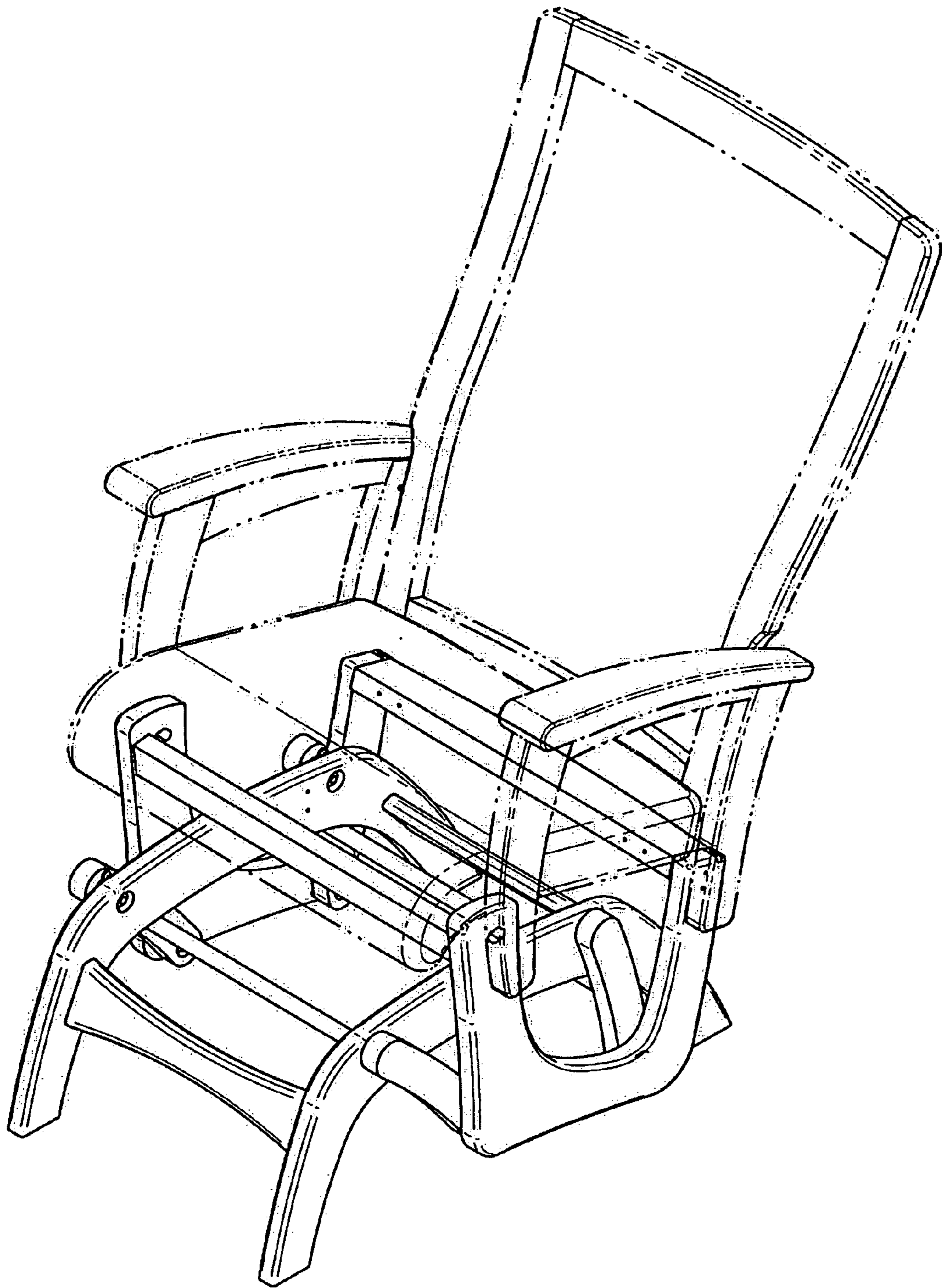


Fig. 3

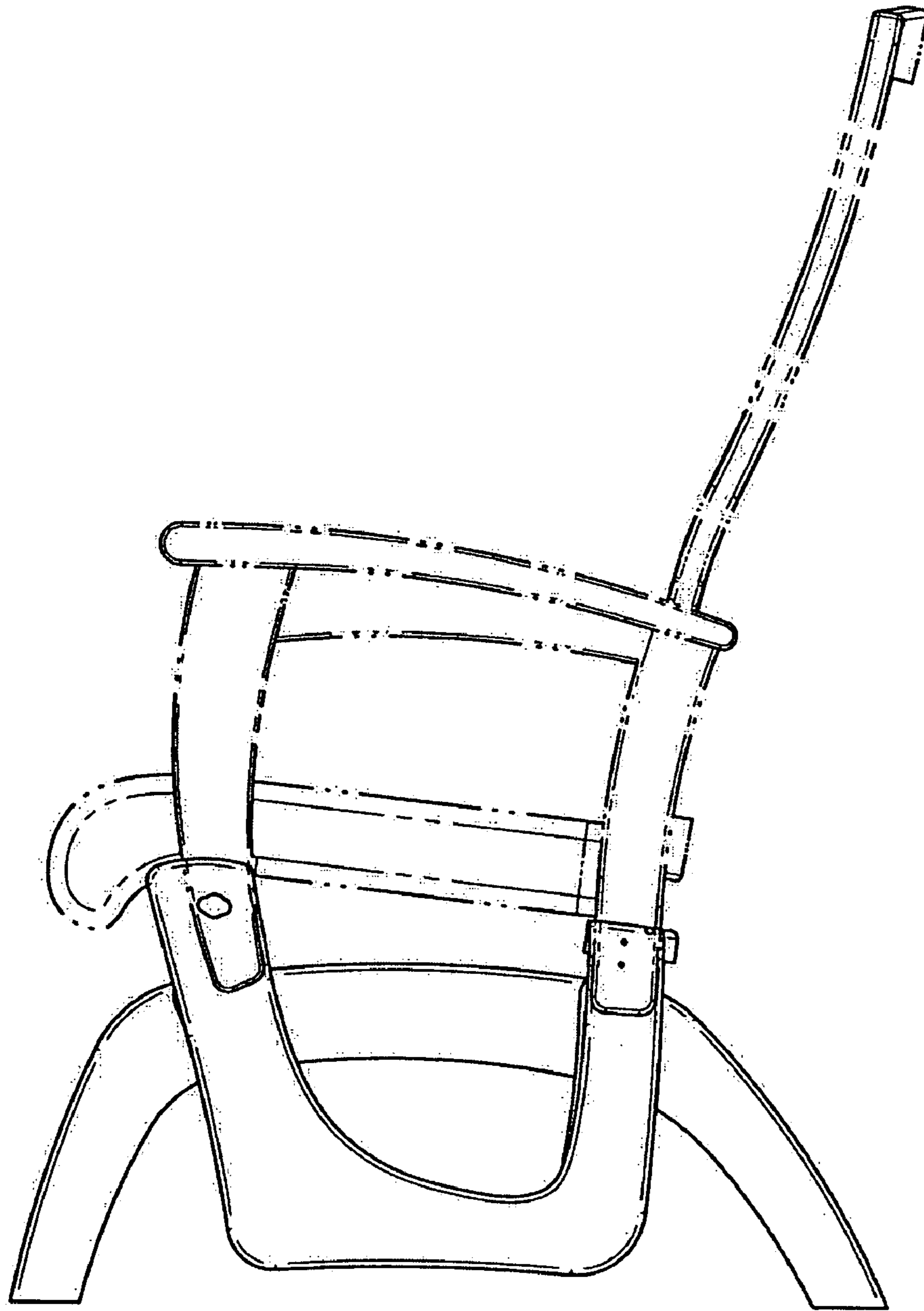


Fig. 4

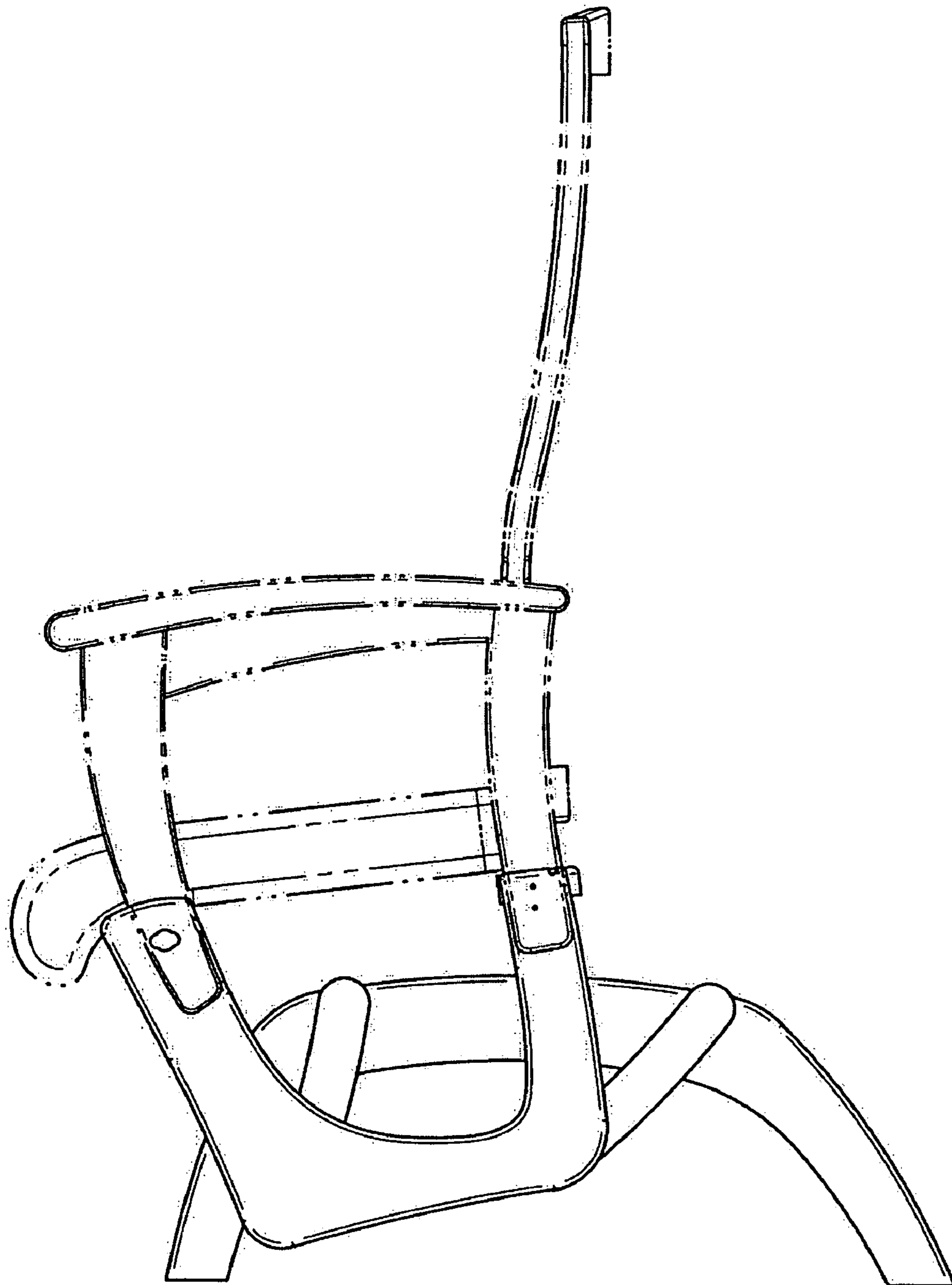


Fig. 5

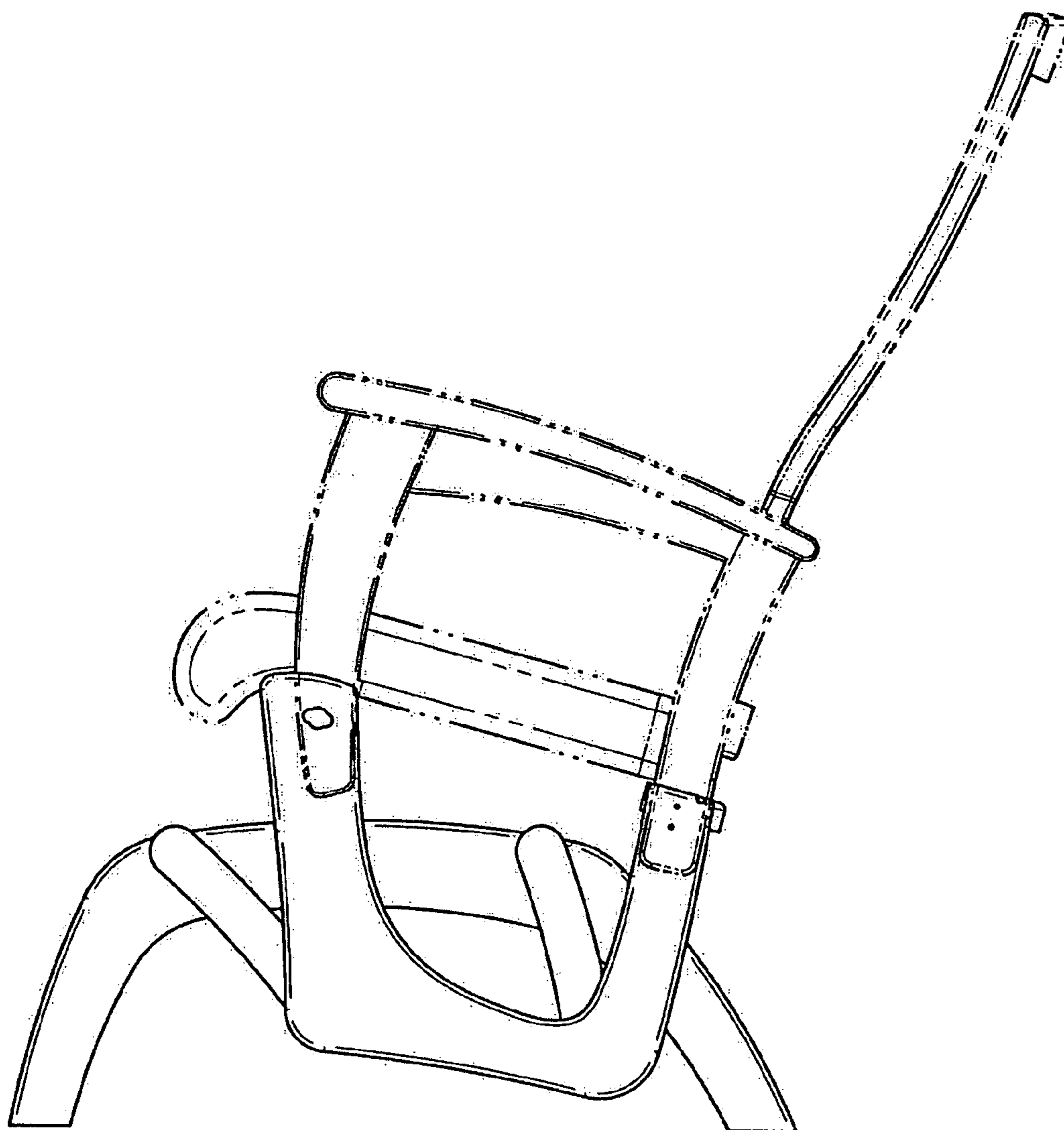


Fig. 6

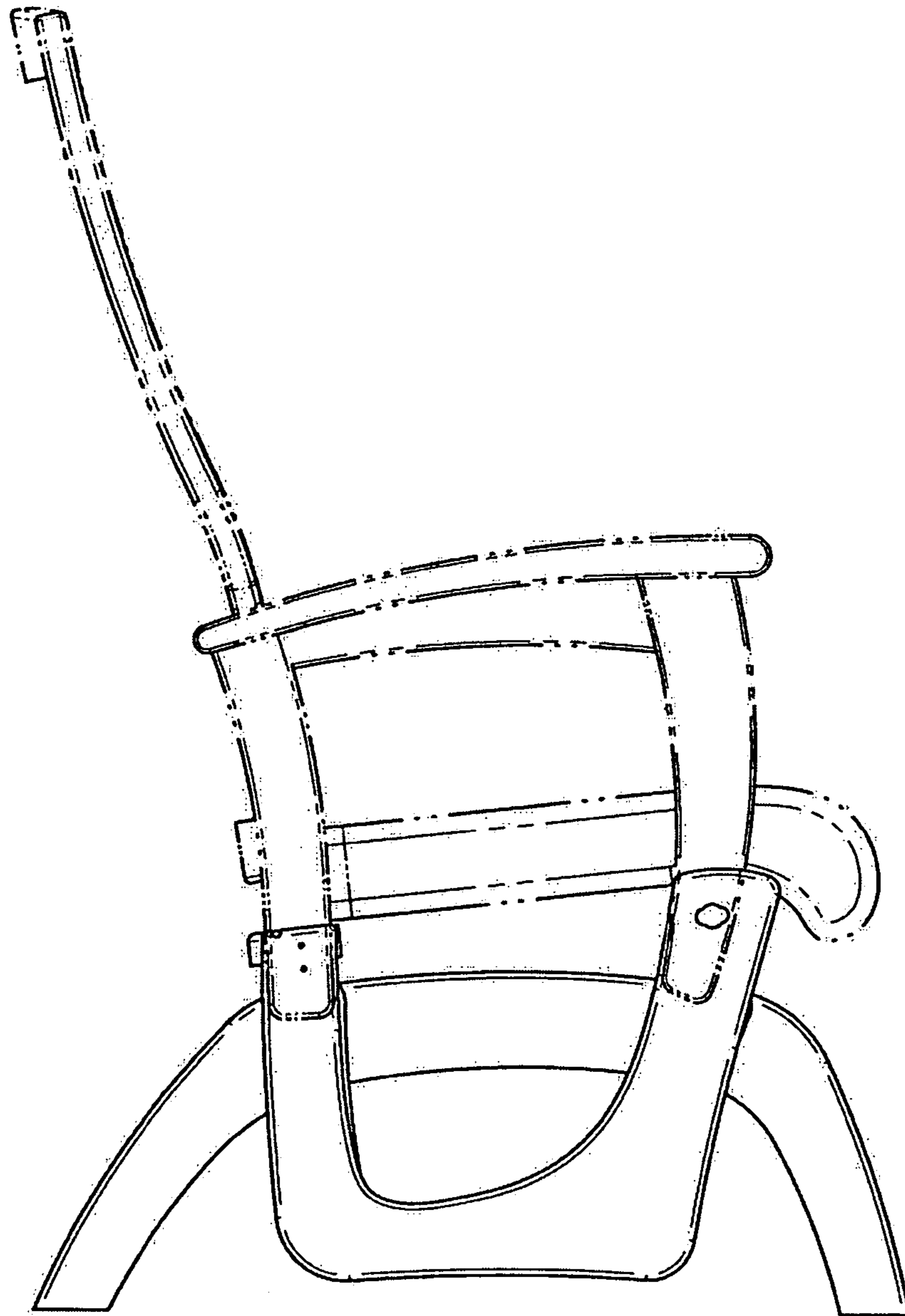


Fig. 7

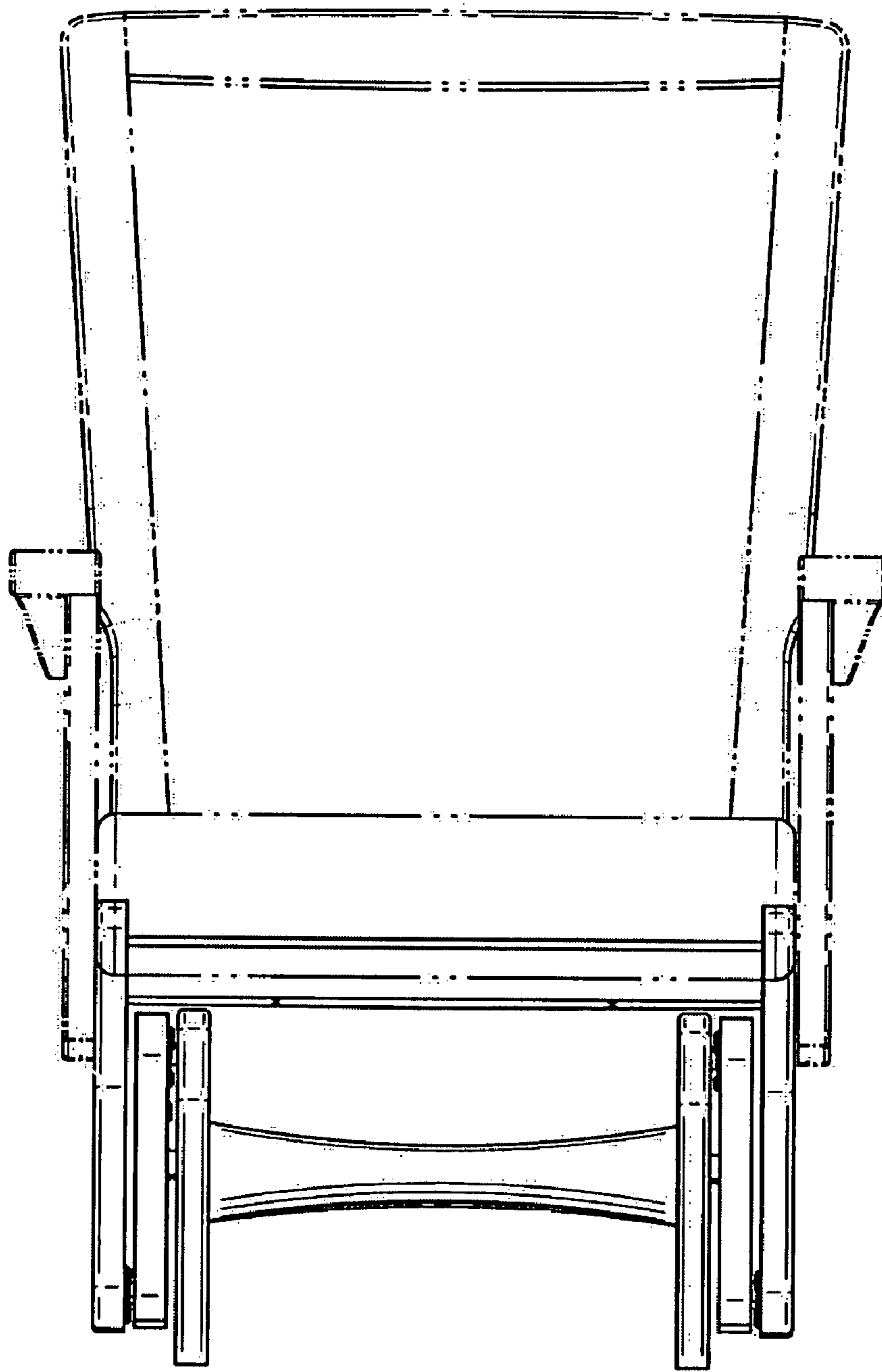


Fig. 8

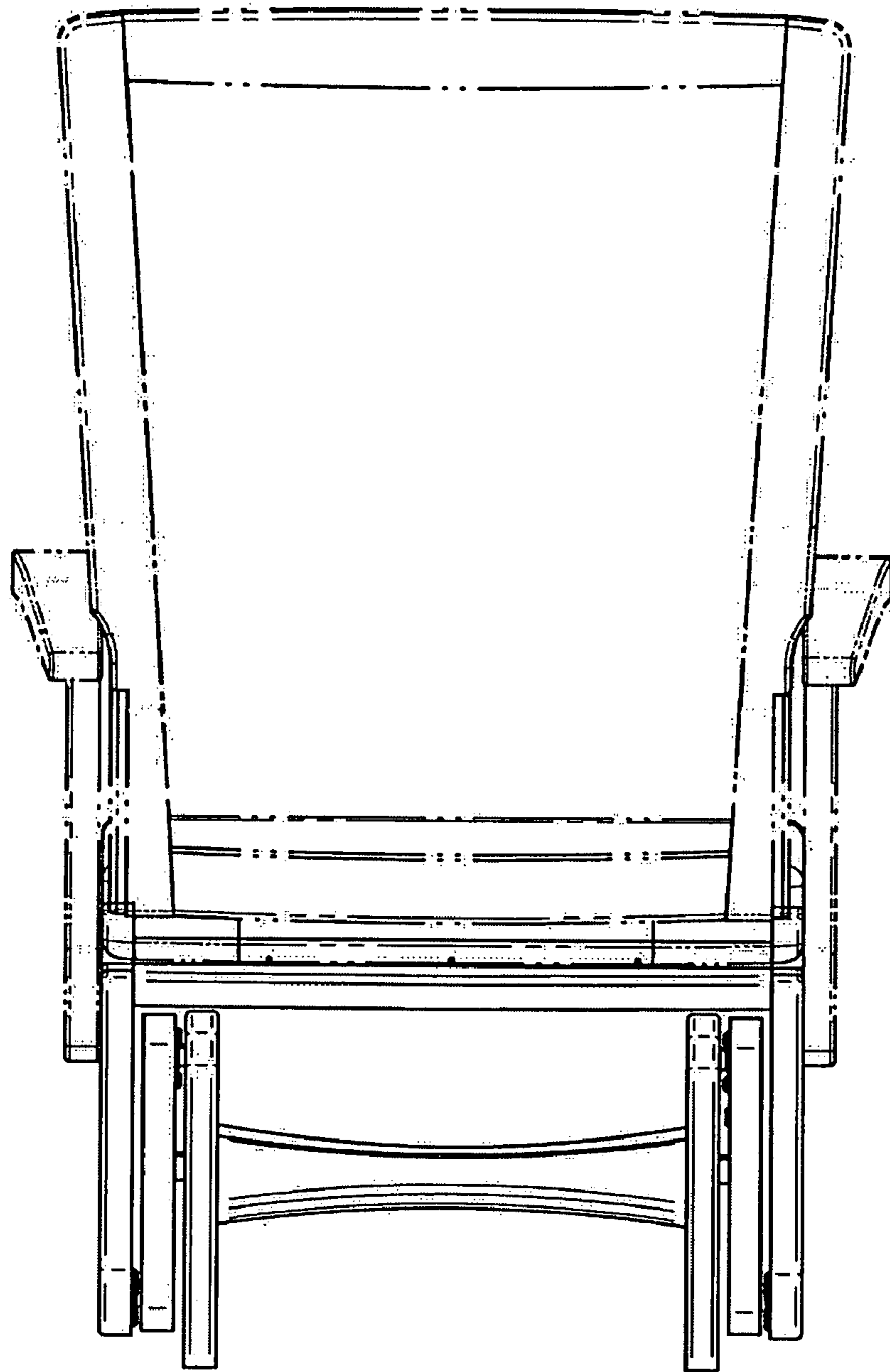


Fig. 9

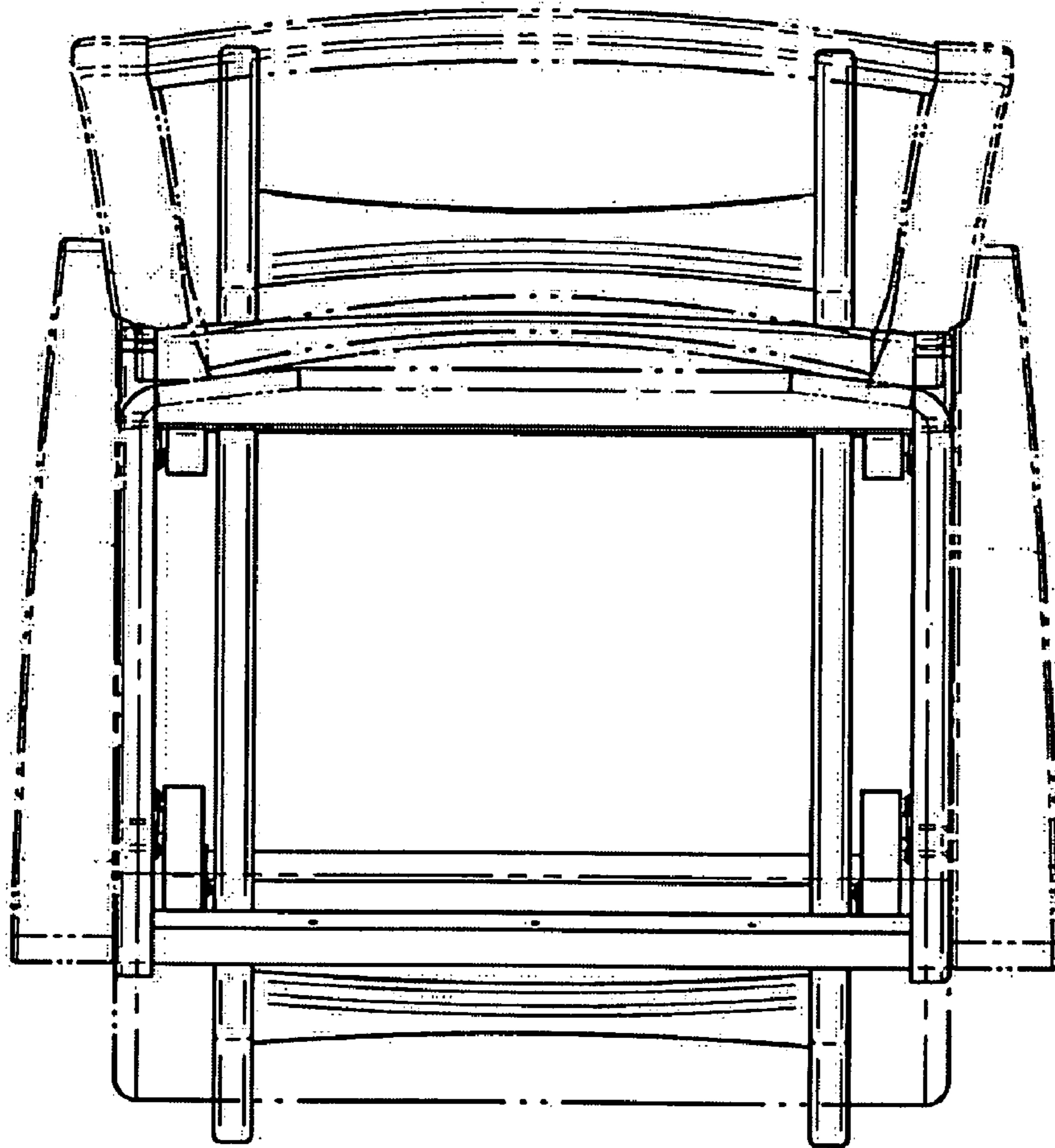


Fig. 10

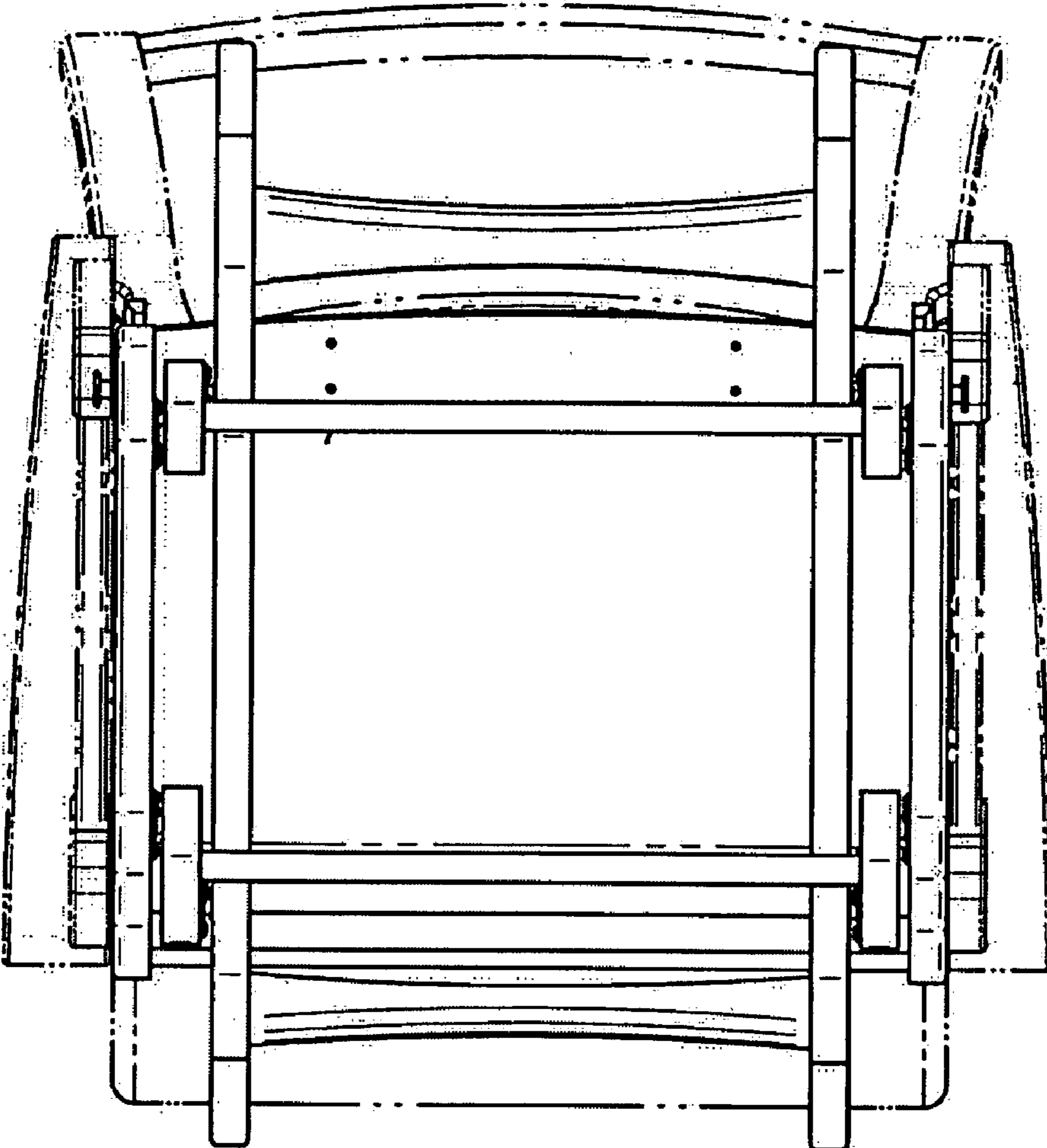


Fig. 11