



US00D559019S

(12) **United States Design Patent**  
**Roberts**

(10) **Patent No.:** **US D559,019 S**

(45) **Date of Patent:** **\*\* Jan. 8, 2008**

(54) **TABLE**

D388,979 S \* 1/1998 Walters et al. .... D6/480  
D511,912 S \* 11/2005 Blonder ..... D6/486

(75) Inventor: **Gary B. Roberts**, Solon, OH (US)

\* cited by examiner

(73) Assignee: **G.B. Roberts, LLC**, Cleveland, OH (US)

*Primary Examiner*—Janice E. Seeger

(74) *Attorney, Agent, or Firm*—Calfee, Halter & Griswold LLP

(\*\*) Term: **14 Years**

(21) Appl. No.: **29/265,488**

(57) **CLAIM**

(22) Filed: **Sep. 1, 2006**

I claim the ornamental design for a table, as shown and described.

(51) **LOC (8) Cl.** ..... **06-06**

(52) **U.S. Cl.** ..... **D6/495; D6/486**

(58) **Field of Classification Search** ..... D6/480–489,  
D6/495–499, 511, 452; 108/150, 151, 153.1,  
108/155, 156, 157.1, 161; 248/188, 188.1,  
248/188.7, 188.8; D21/783

See application file for complete search history.

**DESCRIPTION**

FIG. 1 is a front/right/top isometric view of a table;

FIG. 2 is a front elevational view thereof, for which the rear elevational view would be a mirror image of FIG. 2;

FIG. 3 is a left side elevational view thereof, for which the right side elevational view would be the same.

FIG. 4 is a top plan view thereof; and,

FIG. 5 is a bottom plan view thereof.

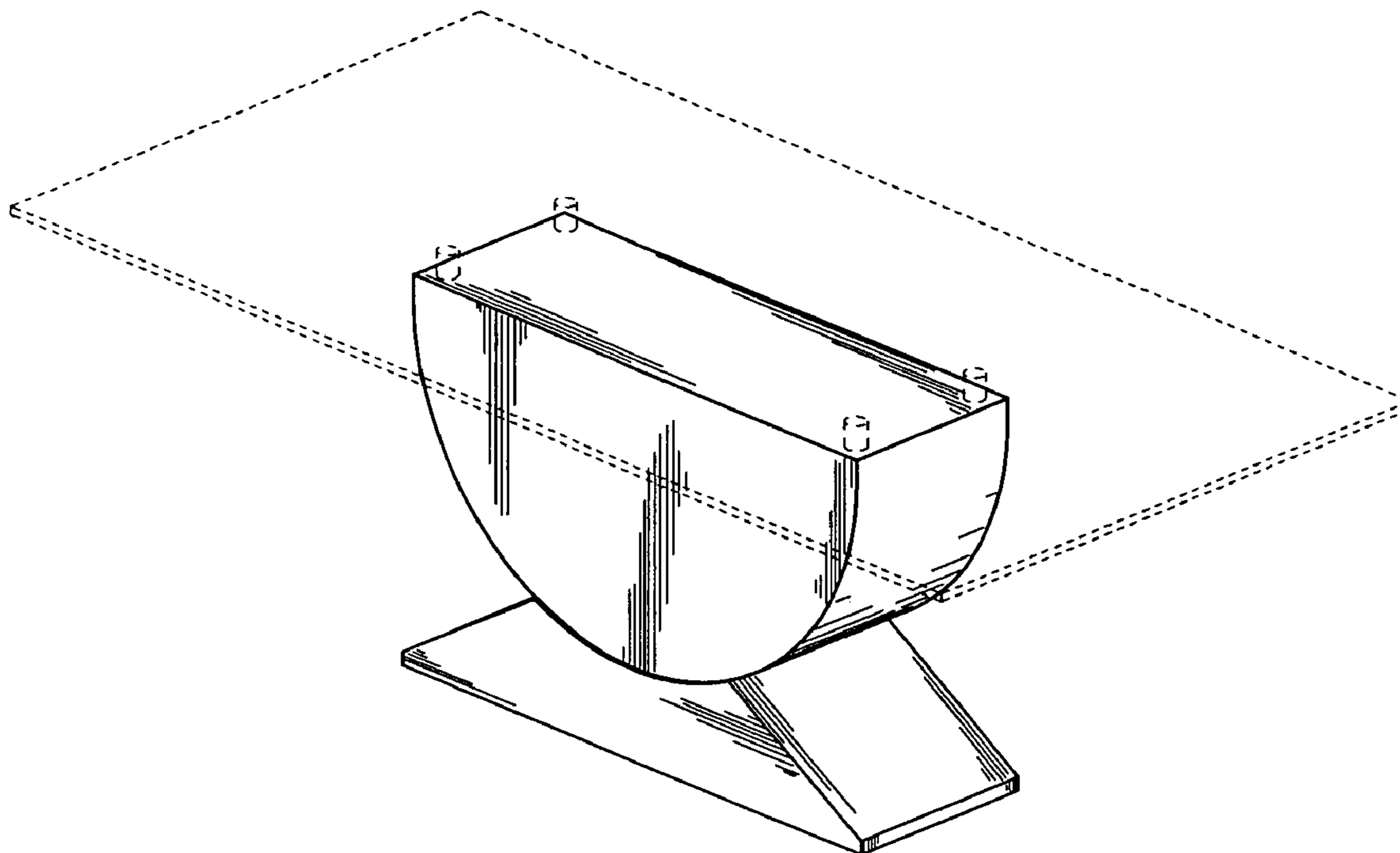
The broken lines in the figures represent environment and form no part of the claimed design.

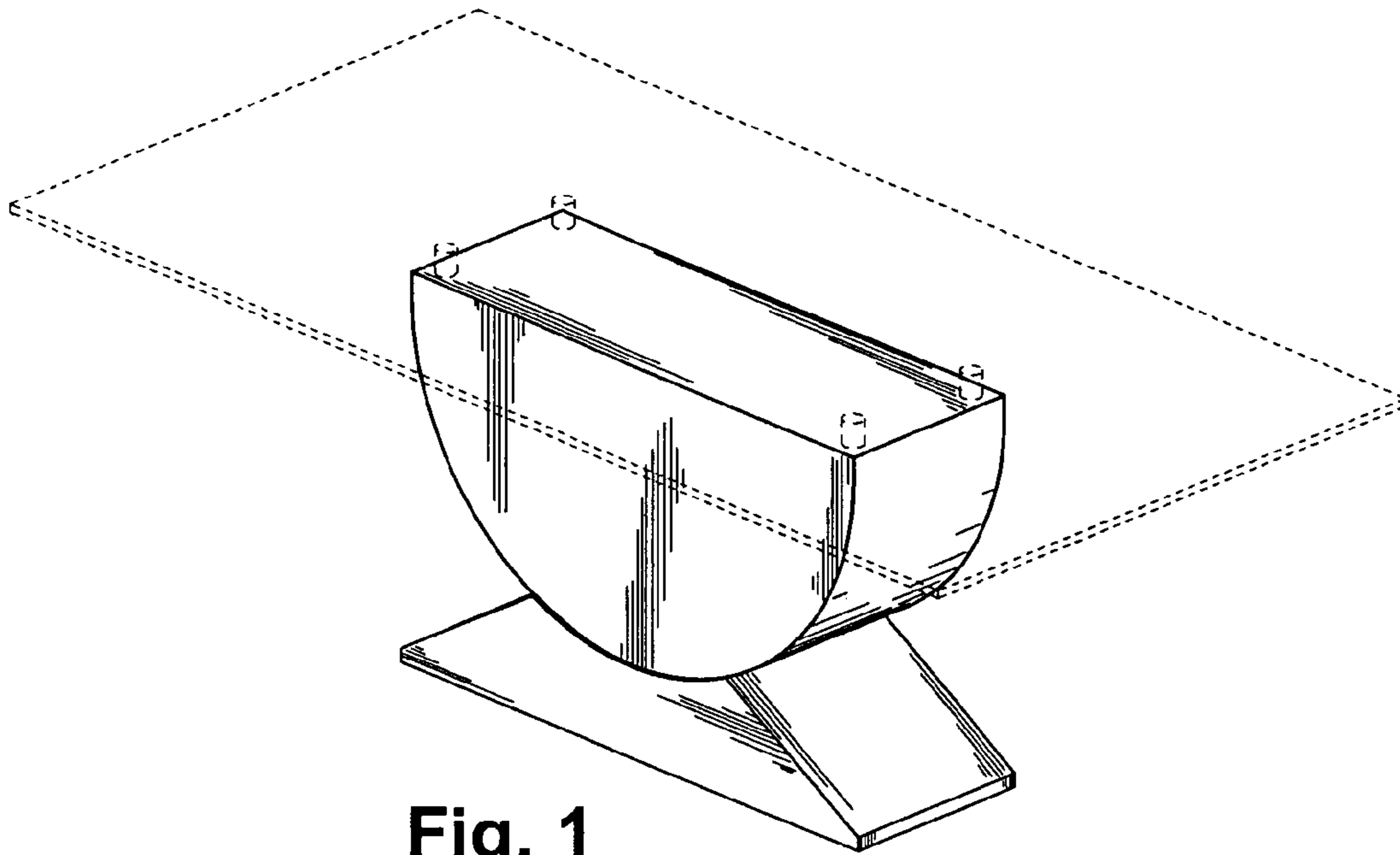
(56) **References Cited**

**U.S. PATENT DOCUMENTS**

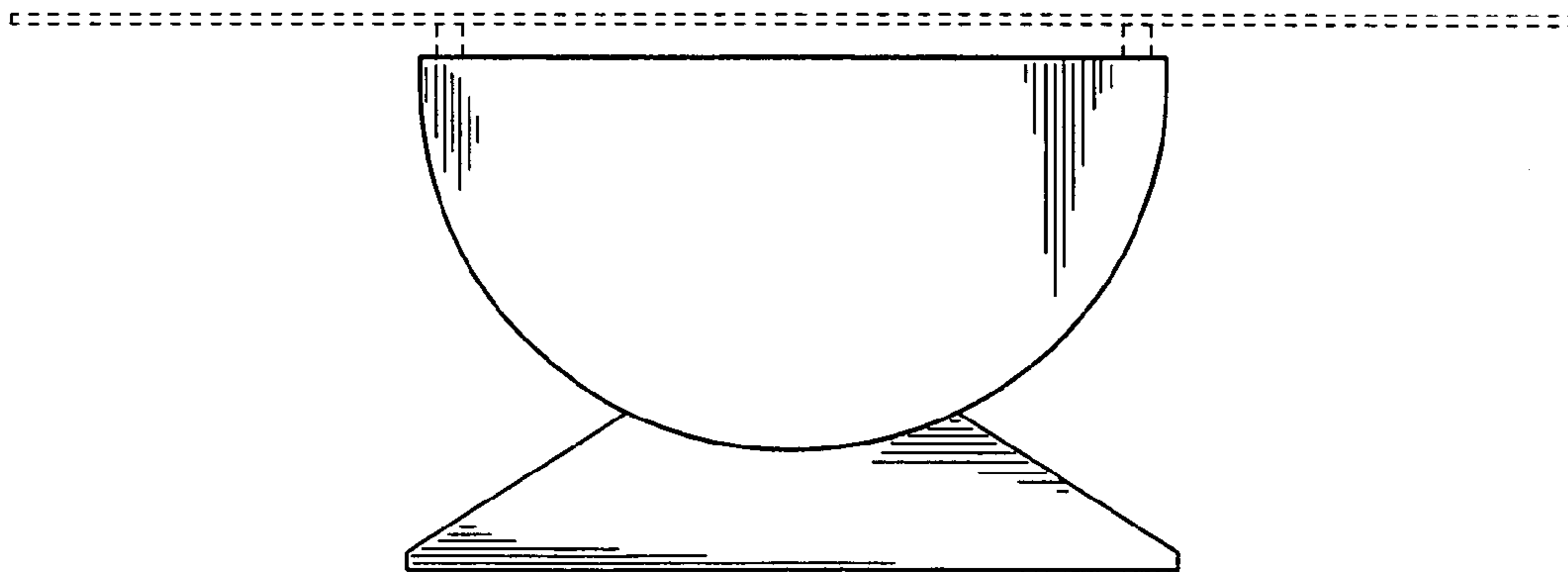
D139,764 S \* 12/1944 Raucher ..... D6/480  
D207,643 S \* 5/1967 Tincher ..... D6/495  
D252,241 S \* 7/1979 Nicolson ..... D6/451  
D332,648 S \* 1/1993 Mitchell, Jr. .... D21/784

**1 Claim, 2 Drawing Sheets**

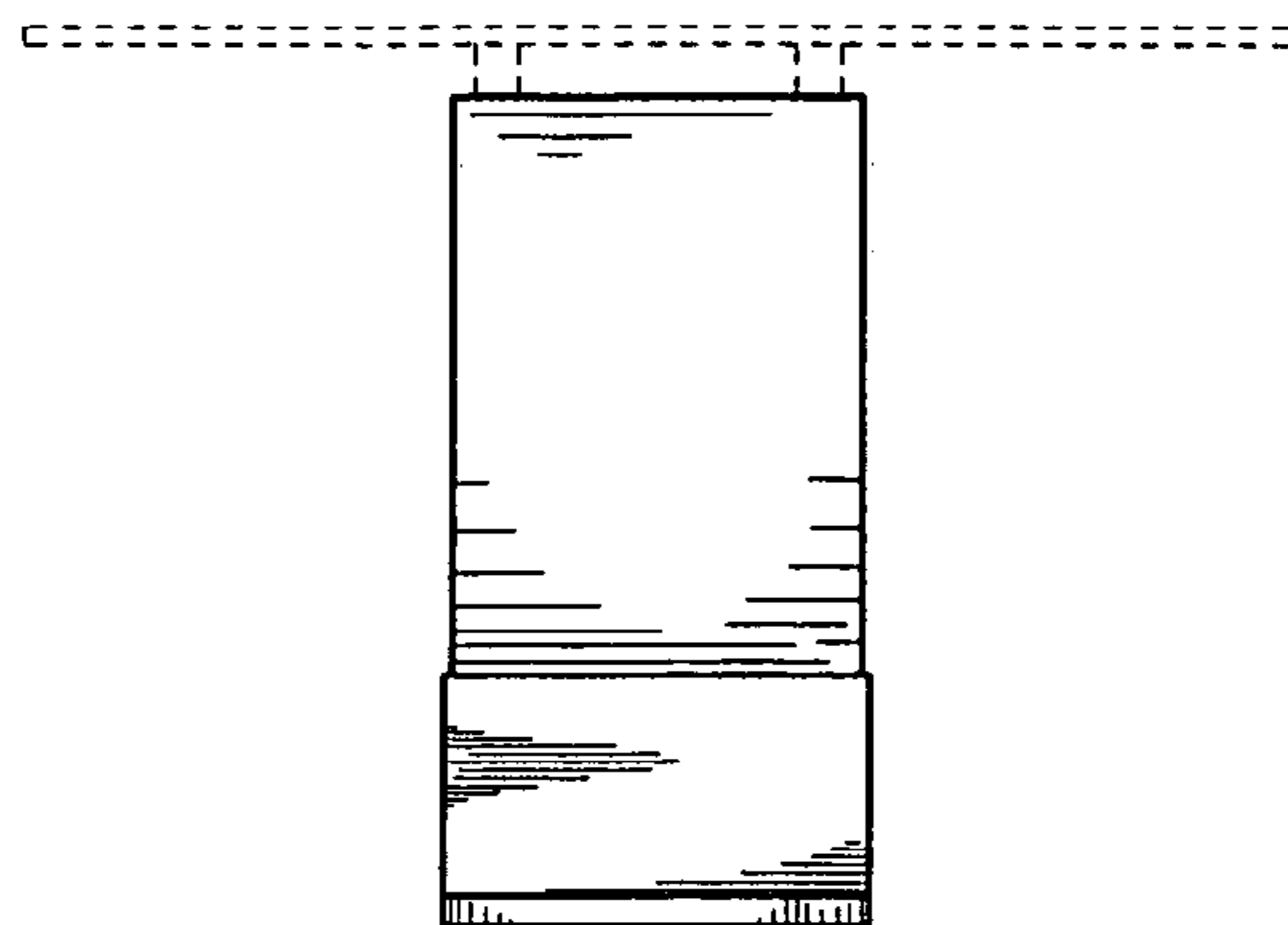




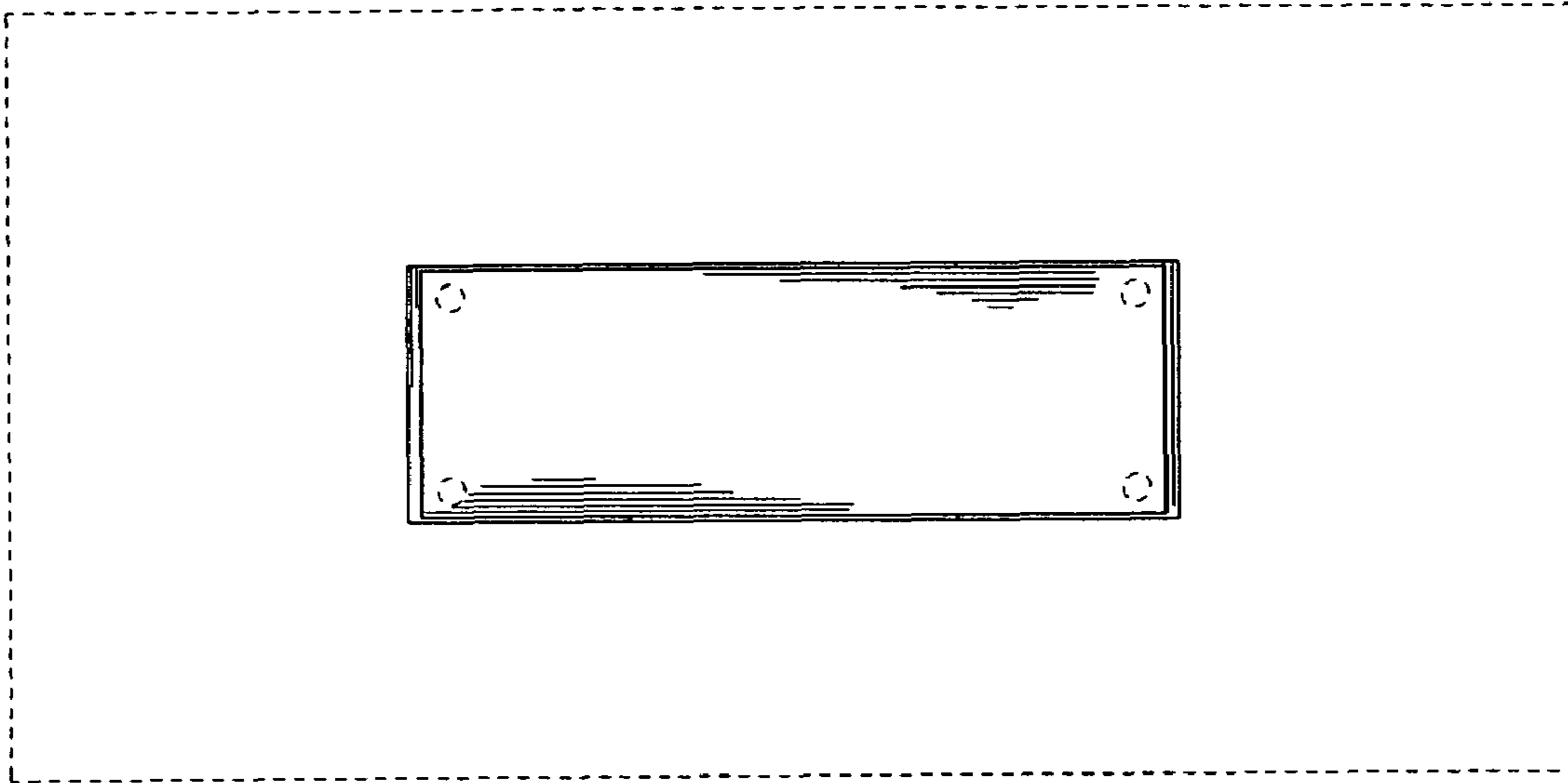
**Fig. 1**



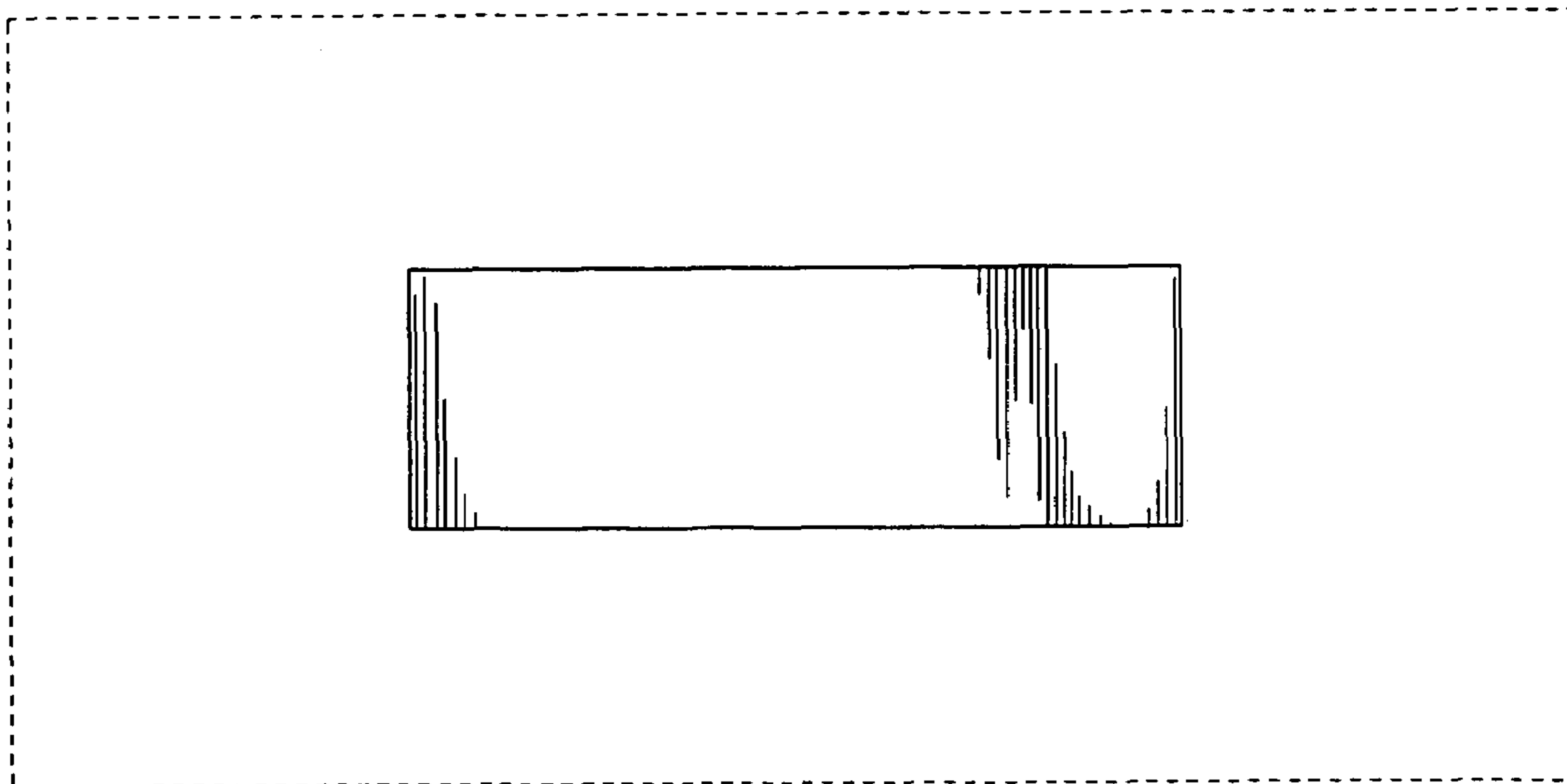
**Fig. 2**



**Fig. 3**



**Fig. 4**



**Fig. 5**