



US00D559015S

(12) **United States Design Patent**
Soressi

(10) **Patent No.:** **US D559,015 S**
(45) **Date of Patent:** **** Jan. 8, 2008**

(54) **TABLE**

(75) Inventor: **Giorgio Soressi**, Treviso (IT)

(73) Assignee: **Mobili Malerba s.n.c. di Malerba Nunzio & C.**, Mombaroccio (Pesaro) (IT)

(**) Term: **14 Years**

(21) Appl. No.: **29/262,779**

(22) Filed: **Jul. 11, 2006**

(30) **Foreign Application Priority Data**

Mar. 19, 2006 (EM) 0497847-0004

(51) **LOC (8) Cl.** **06-03**

(52) **U.S. Cl.** **D6/480**

(58) **Field of Classification Search** D6/480-489,
D6/495-499, 511; 108/150, 151, 153.1,
108/155, 156, 157.1, 161, 24-26; 248/188,
248/188.1, 188.7, 188.8

See application file for complete search history.

(56) **References Cited**

U.S. PATENT DOCUMENTS

3,289,616 A * 12/1966 Donihi 108/161
D207,972 S * 6/1967 Bellaire D25/68
D271,989 S * 12/1983 Painchaud et al. D21/784

D388,979 S * 1/1998 Walters et al. D6/480
5,860,367 A * 1/1999 Riegel et al. 108/26
D427,815 S * 7/2000 Lewis D6/485
2002/0129746 A1 * 9/2002 Donnelly 108/25

OTHER PUBLICATIONS

AKKO Feb. 1, 1991, p. 7, 1245 Gulf Table, at center.*

* cited by examiner

Primary Examiner—Janice E. Seeger

(74) *Attorney, Agent, or Firm*—Gardere Wynne Sewell, LLP

(57) **CLAIM**

The ornamental design for a table, as shown and described.

DESCRIPTION

FIG. 1 is a perspective view of a table in accordance with my invention;

FIG. 2 is a side elevation view of the table shown in FIG. 1;

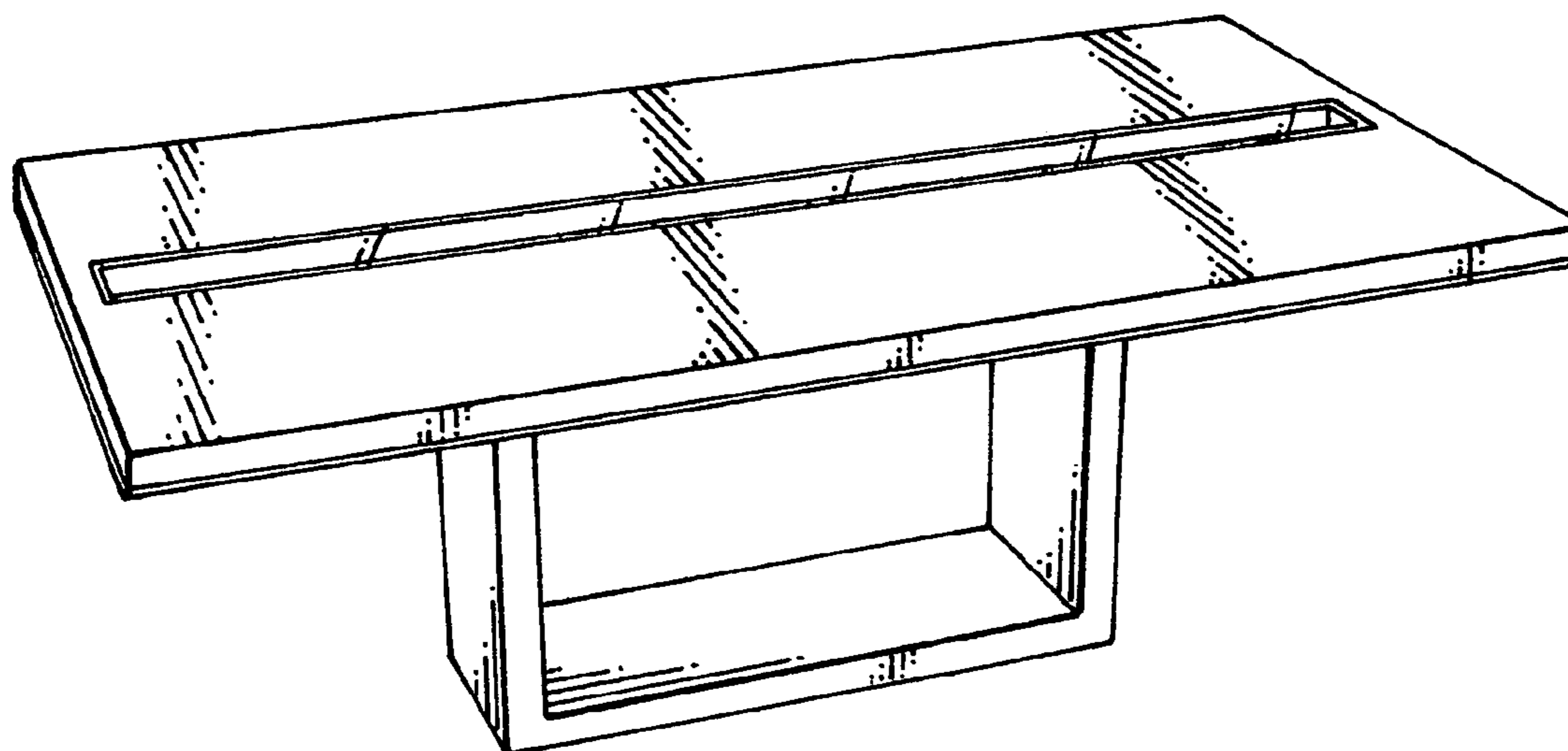
FIG. 3 is an opposite side elevation view of the table shown in FIG. 1;

FIG. 4 is an end elevation view of the table shown in FIG. 1;

FIG. 5 is an elevation view of the opposite end of the table shown in FIG. 1; and,

FIG. 6 is a top plan view of the table shown in FIG. 1.

1 Claim, 2 Drawing Sheets



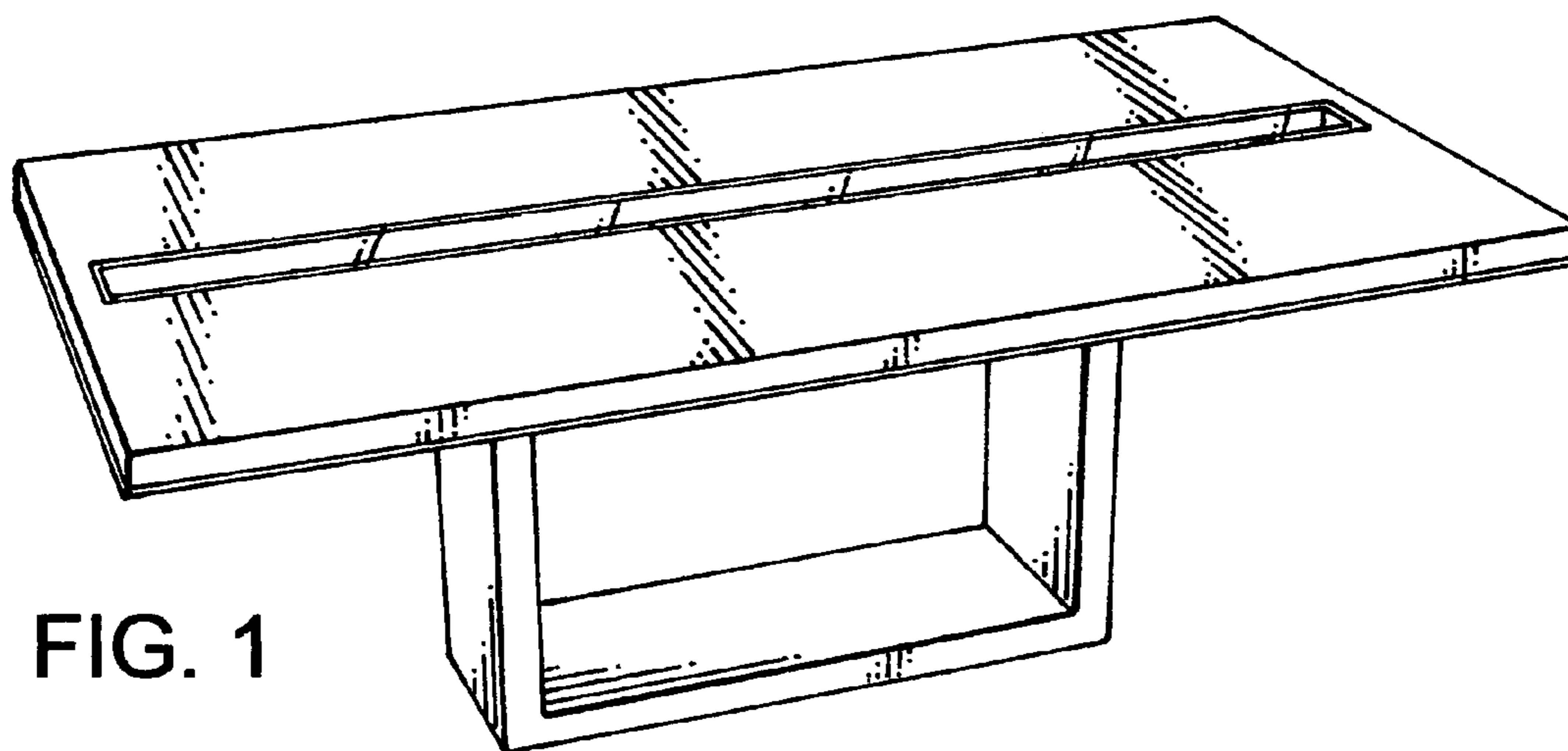


FIG. 1

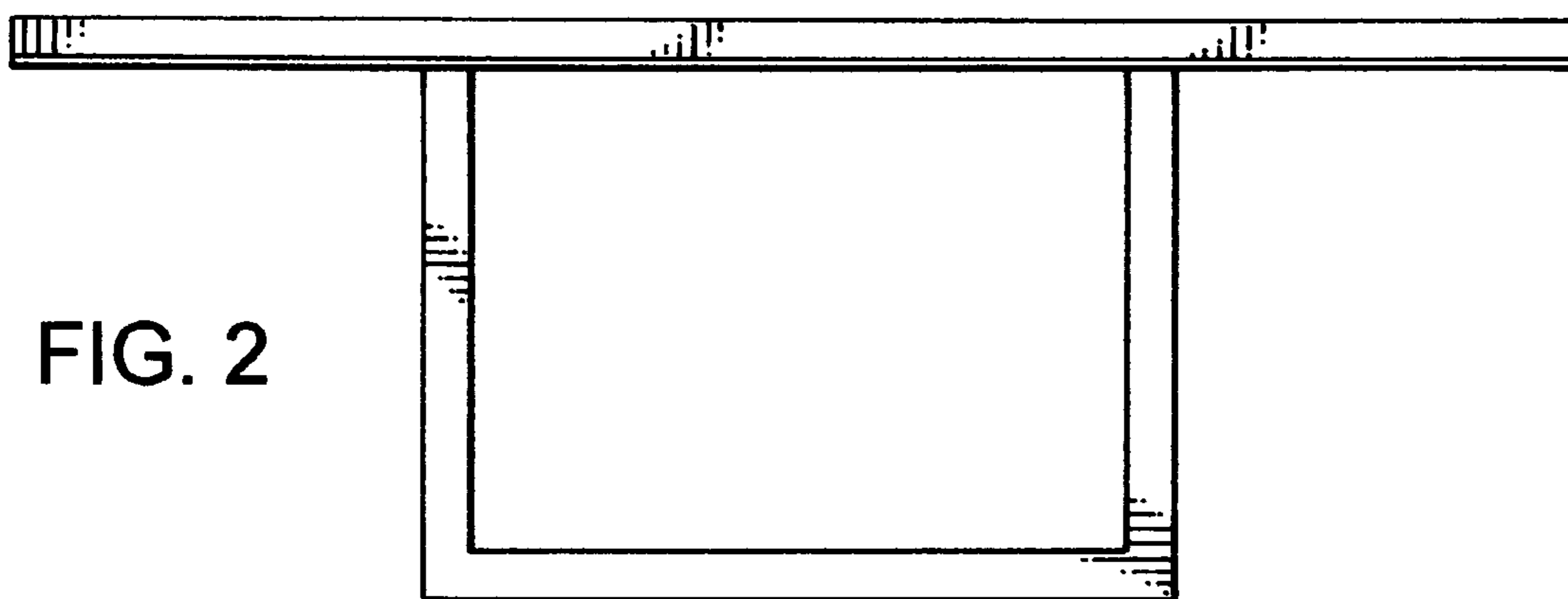


FIG. 2

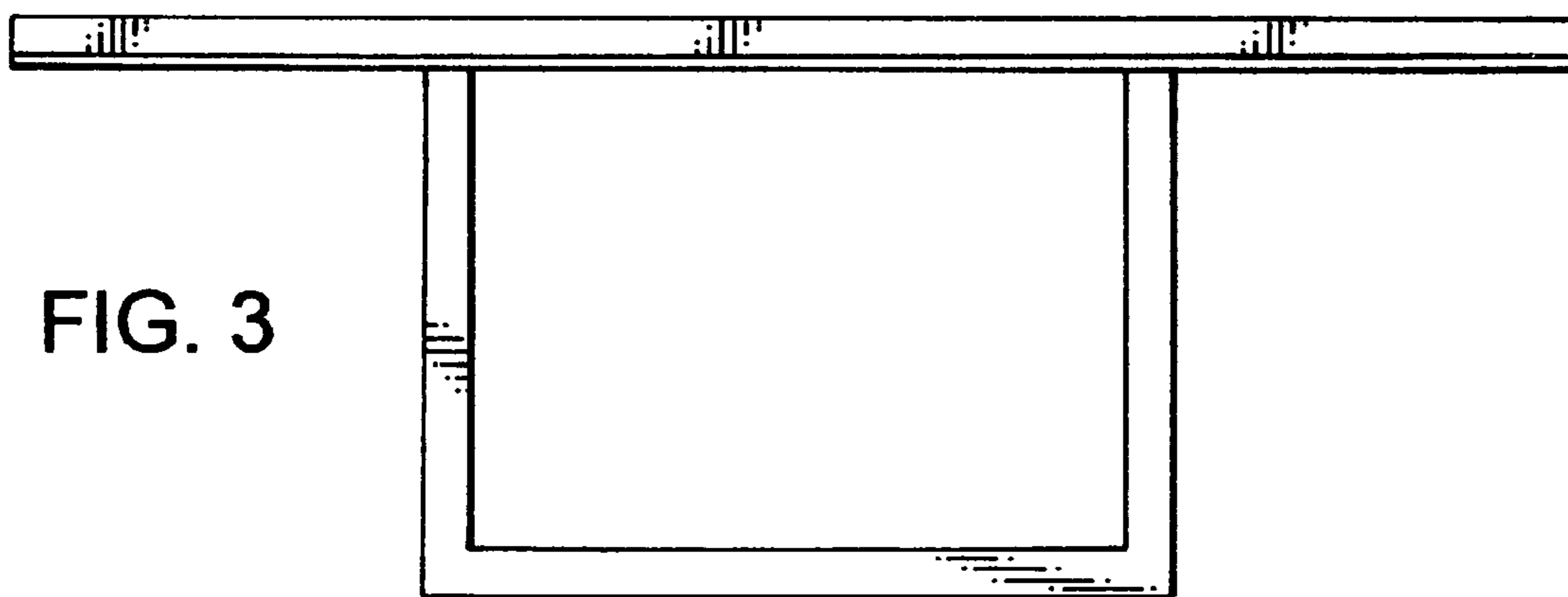


FIG. 3

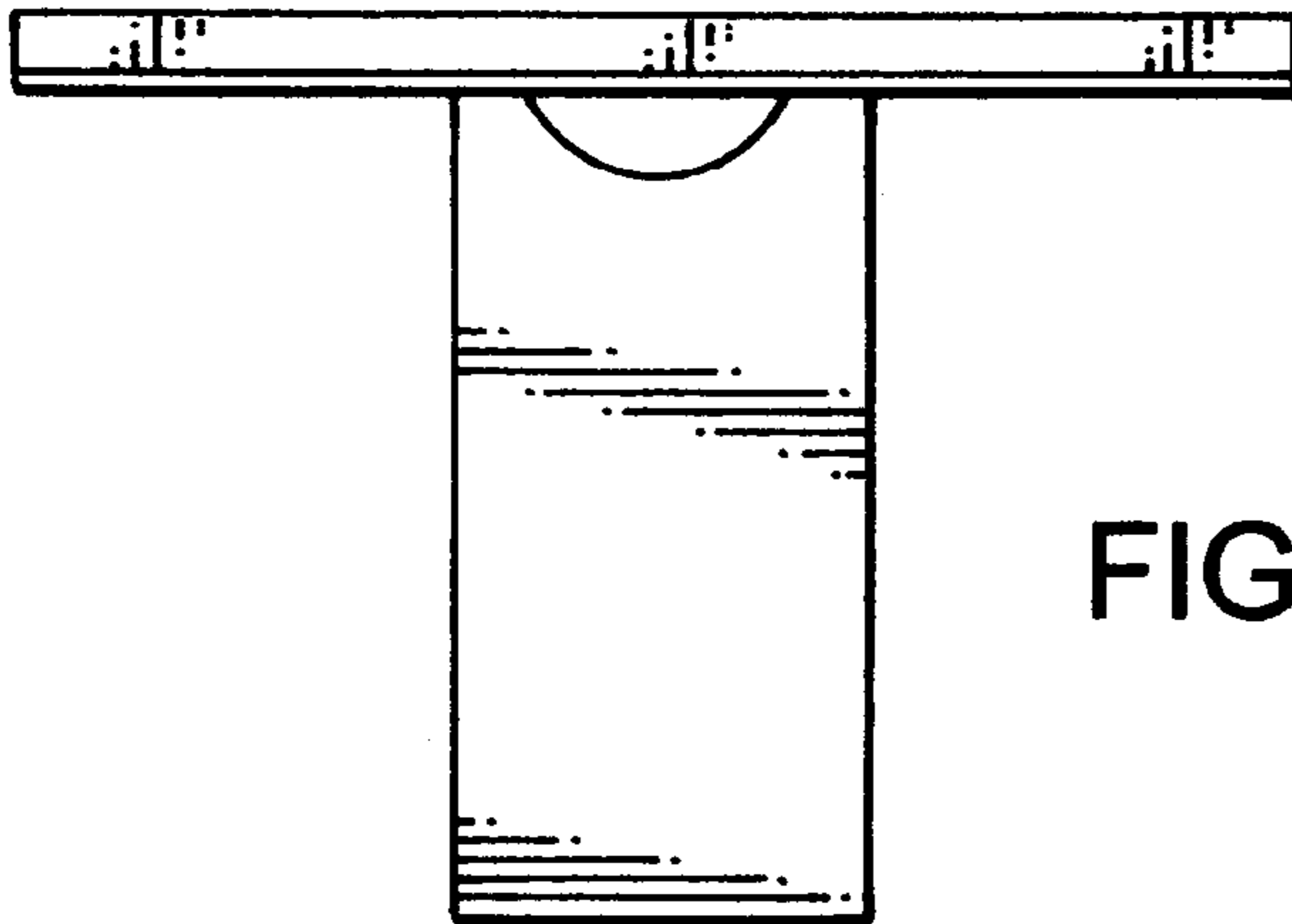


FIG. 4

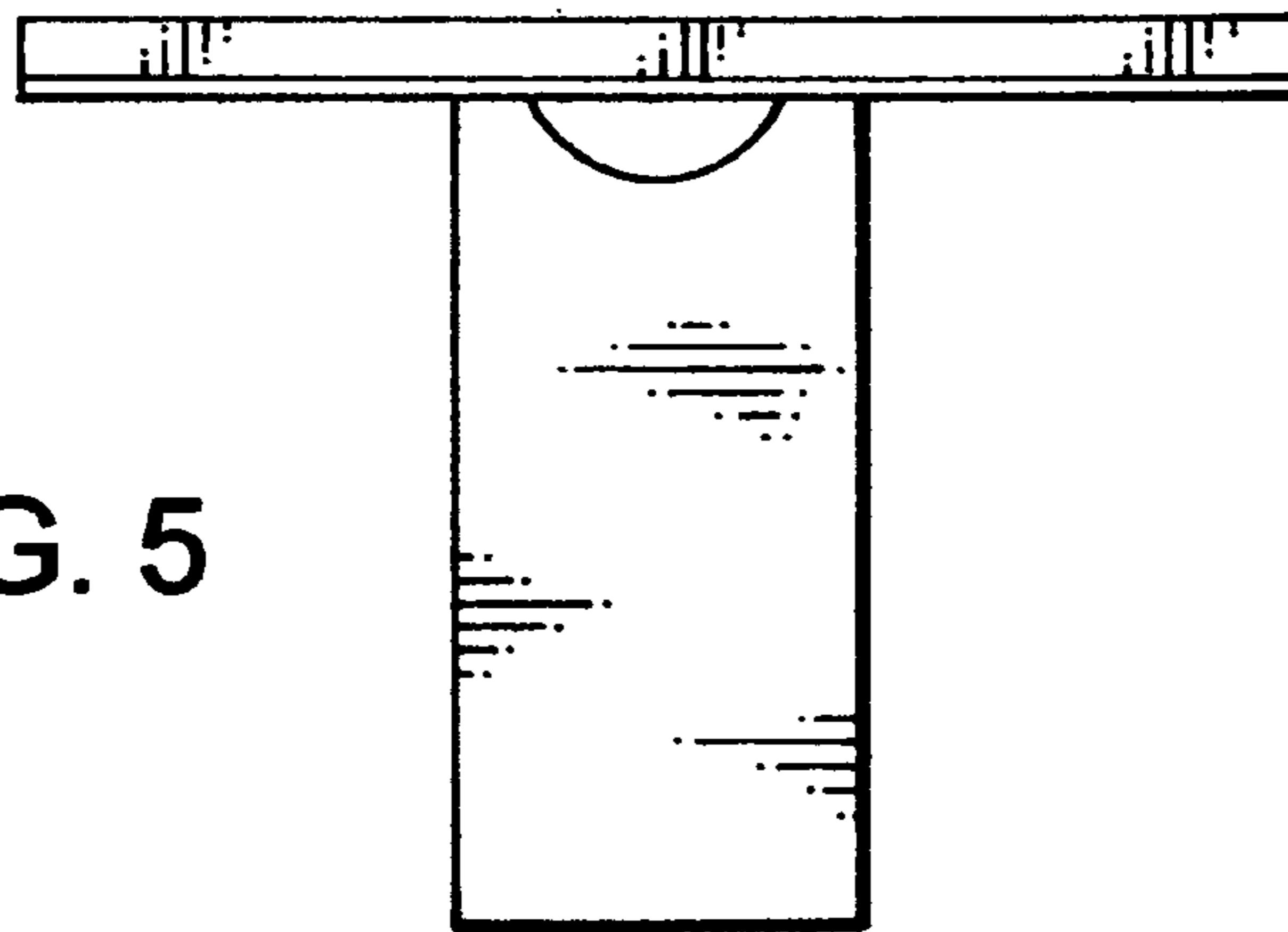


FIG. 5

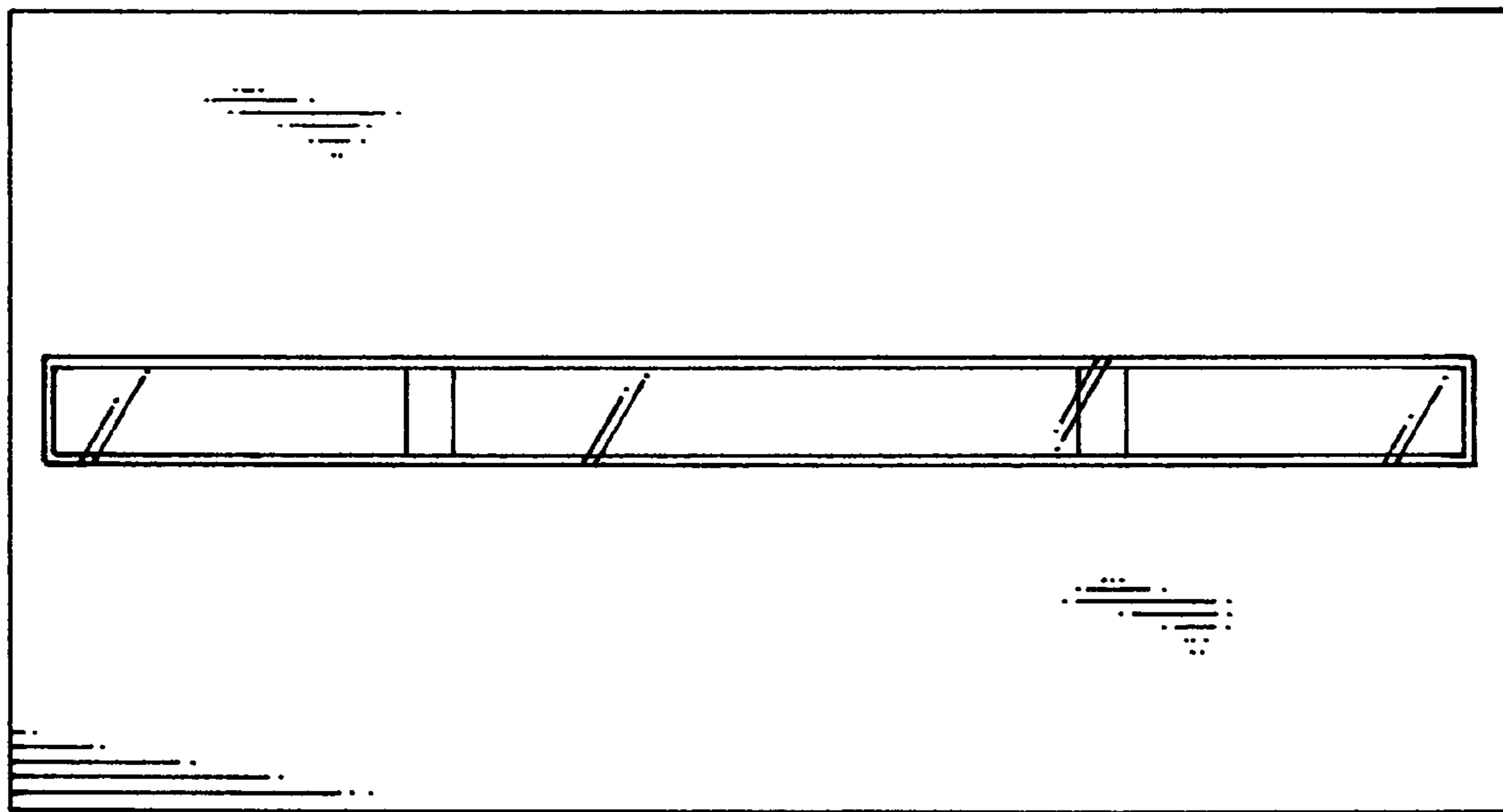


FIG. 6