



US00D559014S

(12) **United States Design Patent**
Mangano

(10) **Patent No.:** **US D559,014 S**
(45) **Date of Patent:** **** Jan. 8, 2008**

(54) **MODULAR SHELF**

(75) Inventor: **Joy Mangano**, St. James, NY (US)

(73) Assignee: **Ingenious Designs LLC**, Edgewood, NY (US)

(**) Term: **14 Years**

(21) Appl. No.: **29/263,635**

(22) Filed: **Jul. 27, 2006**

(51) **LOC (8) Cl.** **06-04**

(52) **U.S. Cl.** **D6/479**

(58) **Field of Classification Search** D6/473-474,
D6/630, 477-479; 108/59, 65-66, 91-93,
108/106-107, 180, 144.11, 147.11; 211/35,
211/42, 135, 90.1, 113

See application file for complete search history.

(56) **References Cited**

U.S. PATENT DOCUMENTS

916,785	A	*	3/1909	Rowell	108/106
2,066,823	A	*	1/1937	Cohen	211/35
2,464,743	A		3/1949	Evans et al.		
3,172,539	A		3/1965	Ruff		
4,819,814	A		4/1989	Fogelgren		
5,148,928	A		9/1992	Arnold		
D339,256	S	*	9/1993	Sielaff	D6/474
5,253,835	A		10/1993	Herron, III		
5,354,025	A		10/1994	McCaffrey		
5,477,789	A		12/1995	Von Gunten		
5,605,238	A		2/1997	Jacobs		

5,644,993	A		7/1997	Dohnalik		
5,797,501	A		8/1998	Von Gunten		
D440,079	S	*	4/2001	Wohlford	D6/479
6,364,129	B1		4/2002	Dardashti et al.		
6,443,319	B1		9/2002	Sander		
6,637,606	B1		10/2003	Chen		
6,666,344	B1		12/2003	Schneider		
6,877,614	B2	*	4/2005	Hu	211/34
2006/0049121	A1	*	3/2006	Klein et al.	211/35

FOREIGN PATENT DOCUMENTS

GB 3018158 * 10/2004

* cited by examiner

Primary Examiner—Cathron C. Brooks

Assistant Examiner—Kelley A. Donnelly

(74) *Attorney, Agent, or Firm*—Kenyon & Kenyon LLP

(57) **CLAIM**

The ornamental design for a modular shelf, as shown and described.

DESCRIPTION

FIG. 1 is a front view of the modular shelf of the present invention;

FIG. 2 is a left view of the modular shelf of FIG. 1;

FIG. 3 is a right view of the modular shelf of FIG. 1; and,

FIG. 4 is a rear view of the modular shelf.

The broken line showing of a wall in FIGS. 2 and 3 is for illustrative purposes only and forms no part of the claimed design.

1 Claim, 4 Drawing Sheets

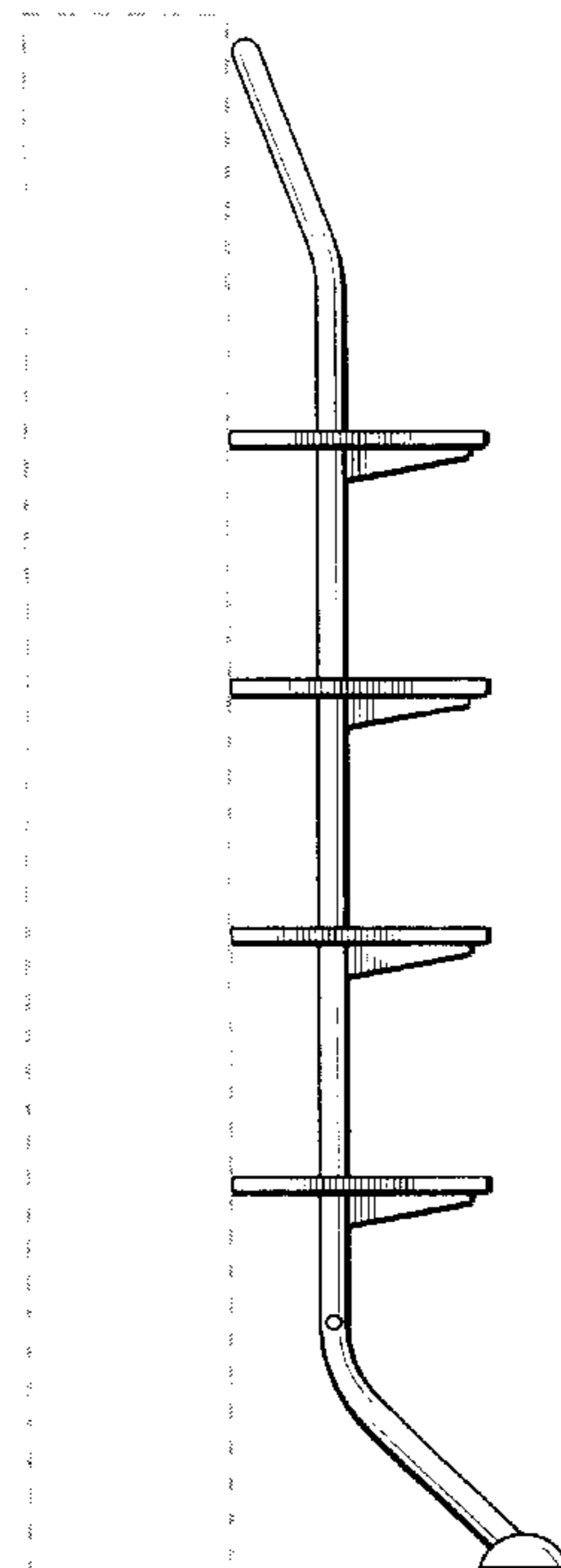
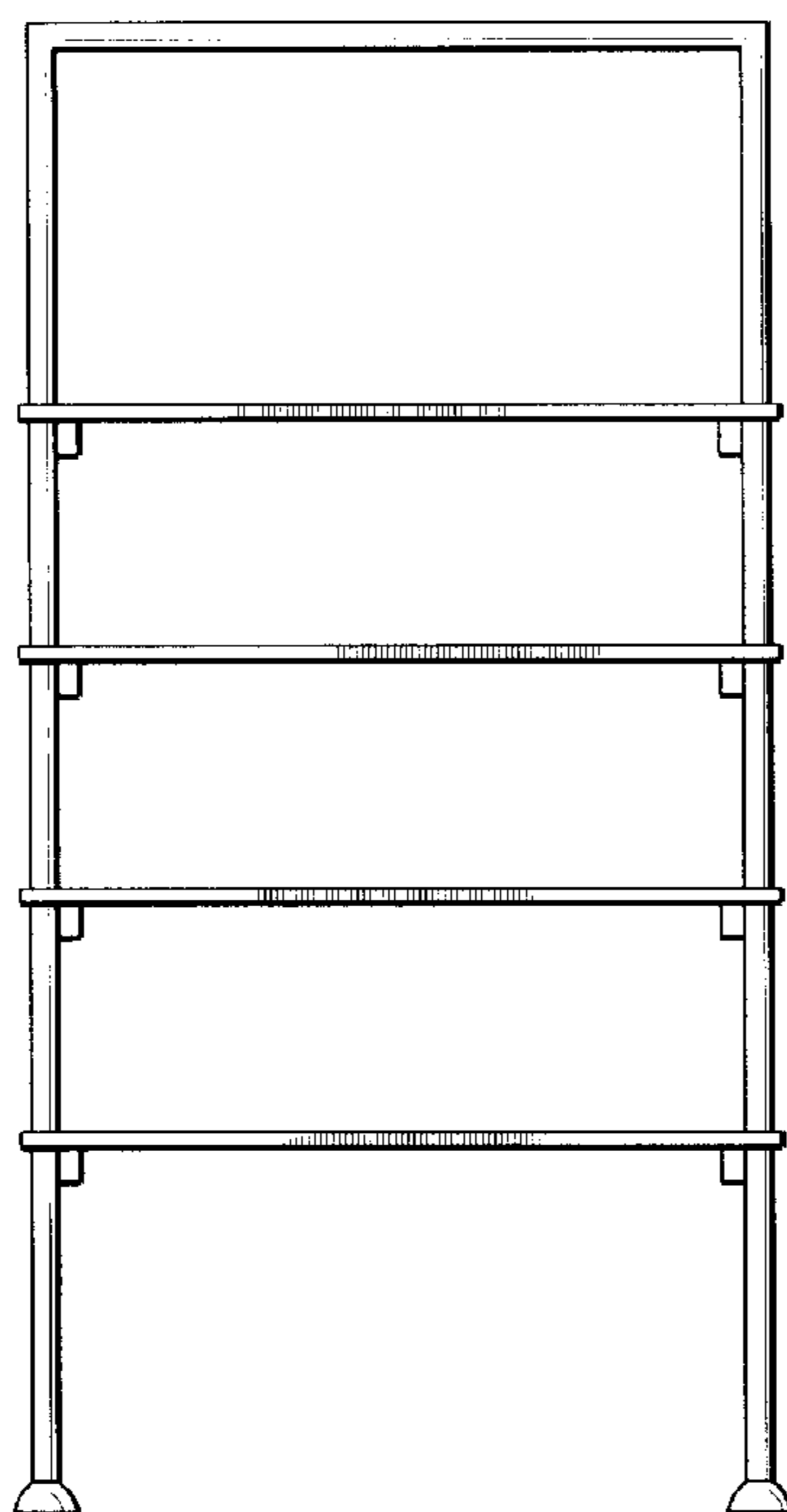


FIG. 1

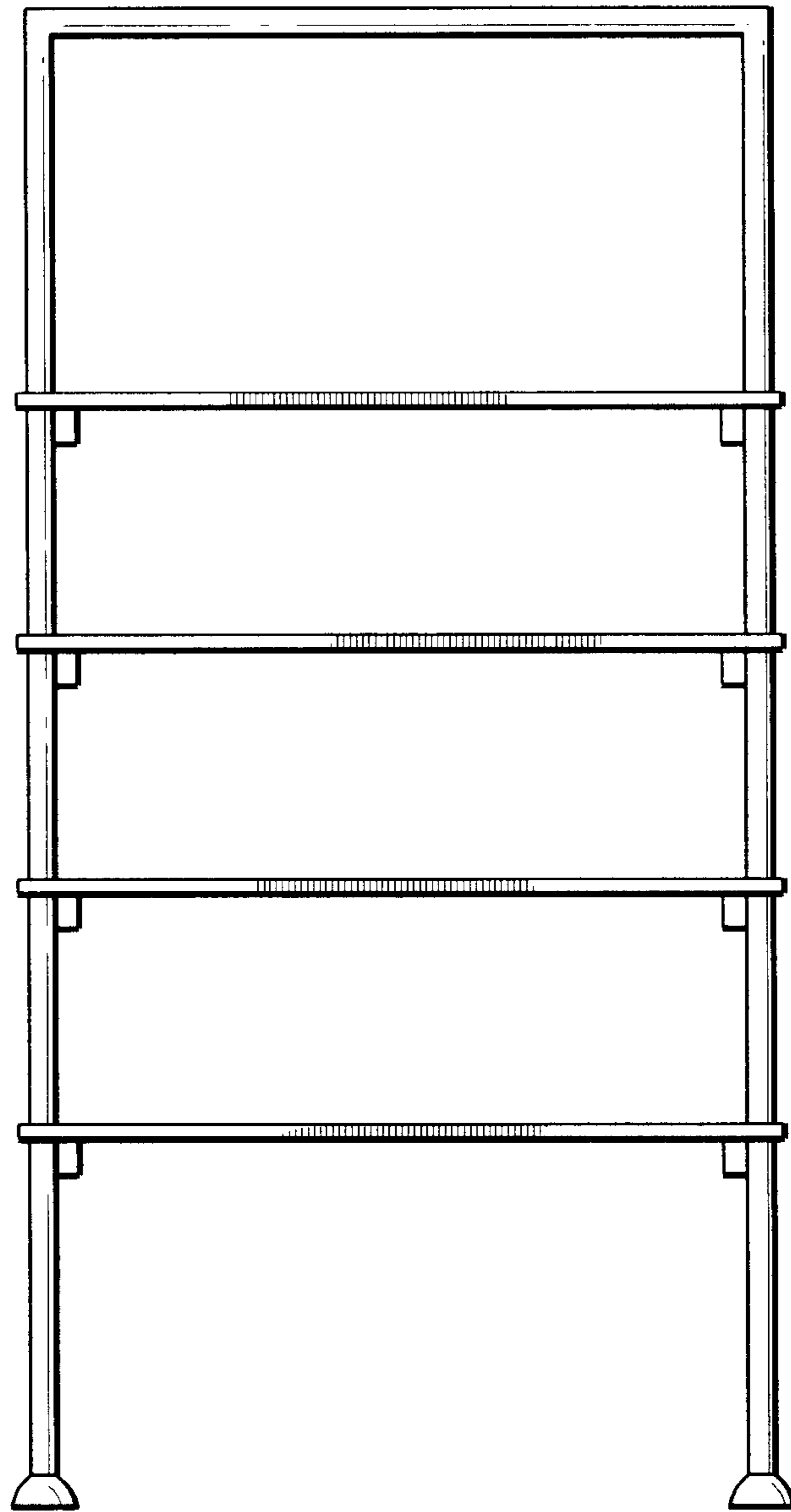


FIG. 2

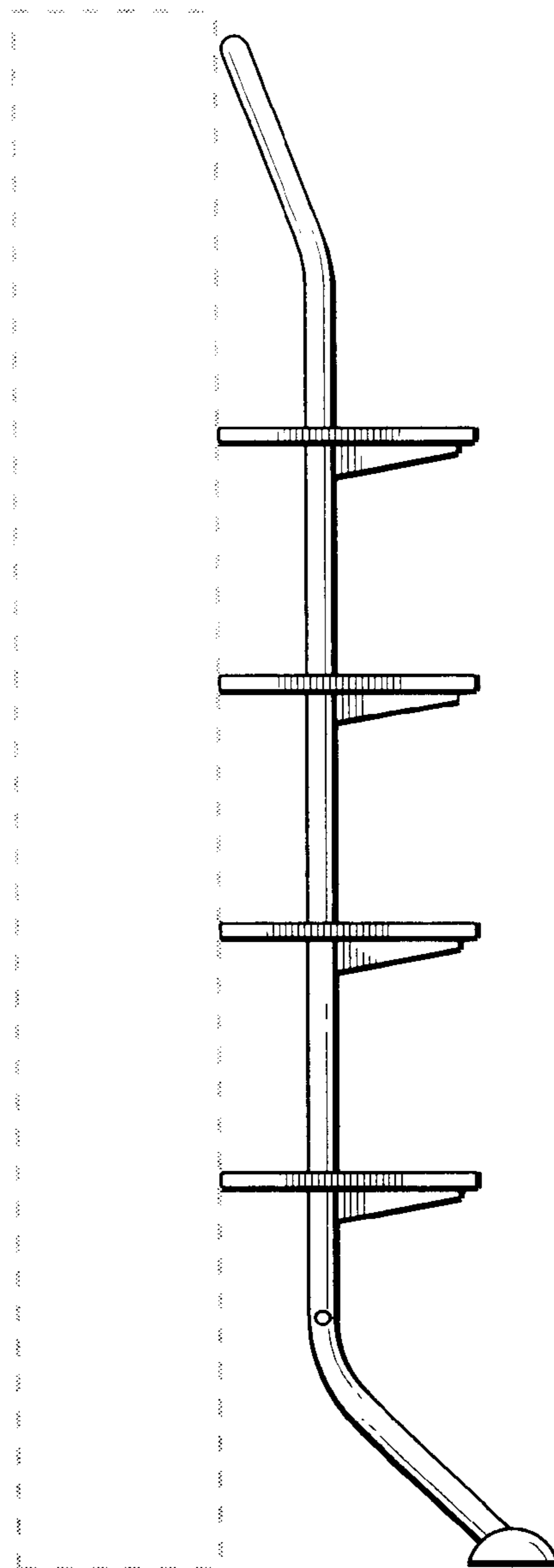


FIG. 3

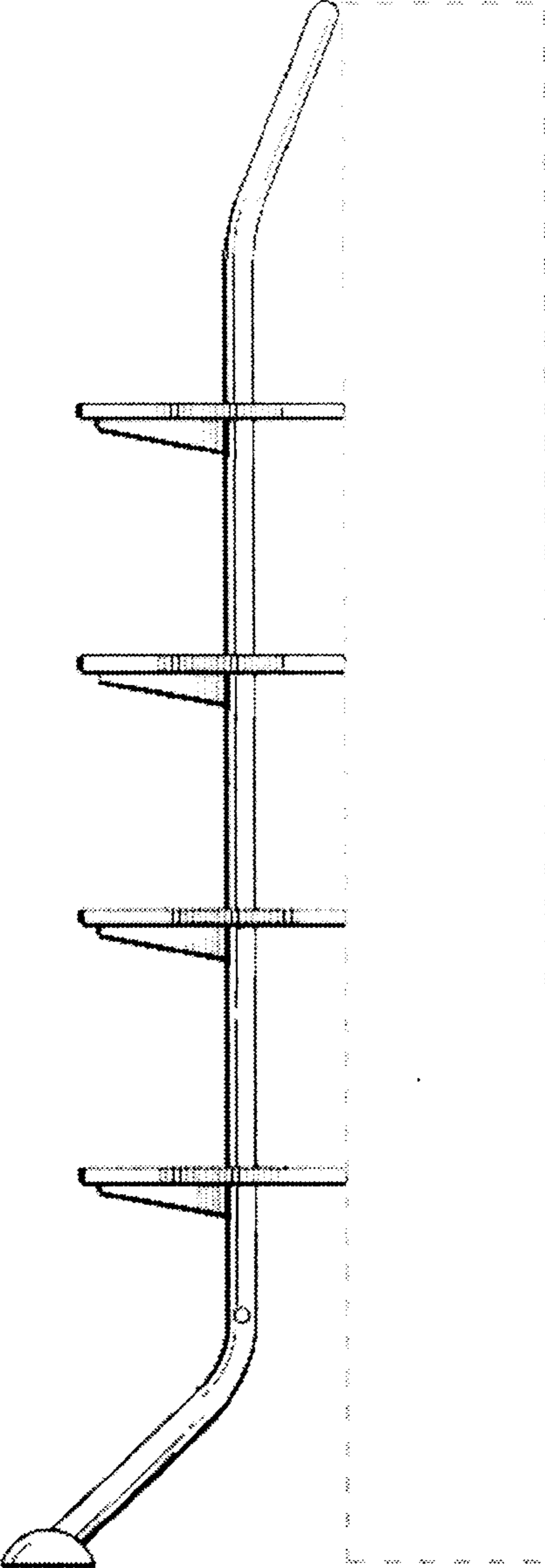


FIG. 4

