



US00D559012S

(12) **United States Design Patent**
Mehmen

(10) **Patent No.:** **US D559,012 S**

(45) **Date of Patent:** **** Jan. 8, 2008**

(54) **CABINET**

(75) Inventor: **Robert Mehmen**, Shell Rock, IA (US)

(73) Assignee: **Waterloo Industries, Inc.**, Waterloo, IA (US)

(**) Term: **14 Years**

(21) Appl. No.: **29/285,635**

(22) Filed: **Apr. 4, 2007**

(51) **LOC (8) Cl.** **06-04**

(52) **U.S. Cl.** **D6/446; D6/441**

(58) **Field of Classification Search** D6/432-448;
312/138.1, 204, 249.1, 249.8, 237, 257.1,
312/263, 297; D25/16; 211/85.8

See application file for complete search history.

(56) **References Cited**

U.S. PATENT DOCUMENTS

D365,154 S *	12/1995	Maple	D25/16
D365,225 S *	12/1995	Poortvliet et al.	D6/446
D375,168 S *	10/1996	Hunt et al.	D25/16
D393,724 S *	4/1998	Sagol	D25/16
5,975,660 A *	11/1999	Tisbo et al.	312/263
D431,733 S *	10/2000	Zimmerman	D6/446
6,561,601 B1 *	5/2003	Maffeo	312/257.1
D496,540 S *	9/2004	Moon et al.	D6/446
D526,815 S *	8/2006	Nowotarski et al.	D6/446
D526,816 S *	8/2006	Nowotarski et al.	D6/446

D527,927 S * 9/2006 Nowotarski et al. D6/446

* cited by examiner

Primary Examiner—Mimosa De

(74) *Attorney, Agent, or Firm*—Calfee, Halter & Griswold LLP

(57) **CLAIM**

The ornamental design for a cabinet, as shown and described.

DESCRIPTION

FIG. 1 is a perspective view of a cabinet of the new design; FIG. 2 is a slightly reduced top plan view of the cabinet of FIG. 1;

FIG. 3 is a slightly reduced front elevational view of the cabinet of FIG. 1;

FIG. 4 is a slightly reduced rear elevational view of the cabinet of FIG. 1;

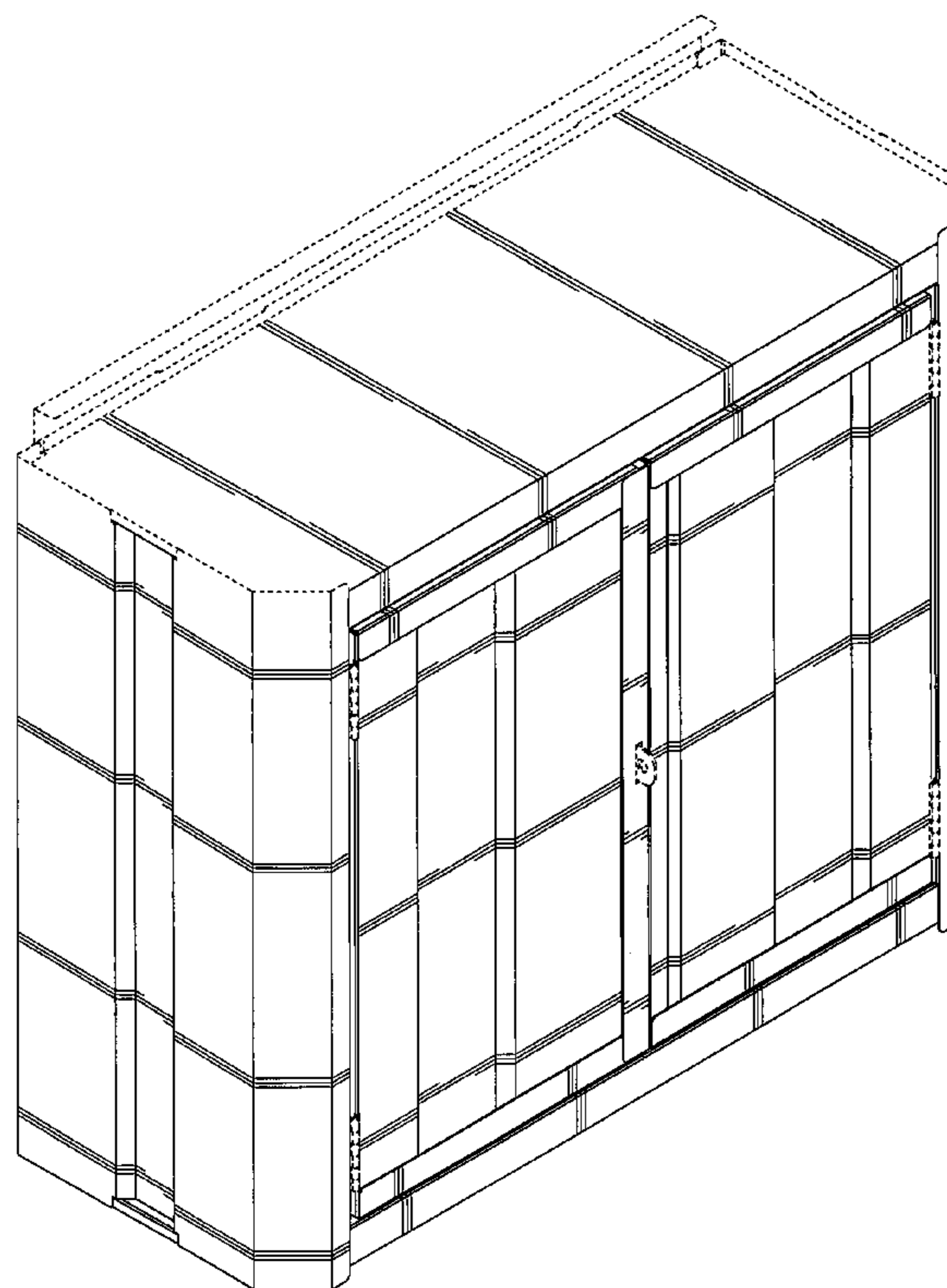
FIG. 5 is a slightly reduced bottom plan view of the cabinet of FIG. 1;

FIG. 6 is a slightly reduced right side elevational view of the cabinet of FIG. 1; and,

FIG. 7 is a slightly reduced left side elevational view of the cabinet of FIG. 1.

The portions of the Figures shown in broken lines are not part of the claimed design and are for illustration only.

1 Claim, 4 Drawing Sheets



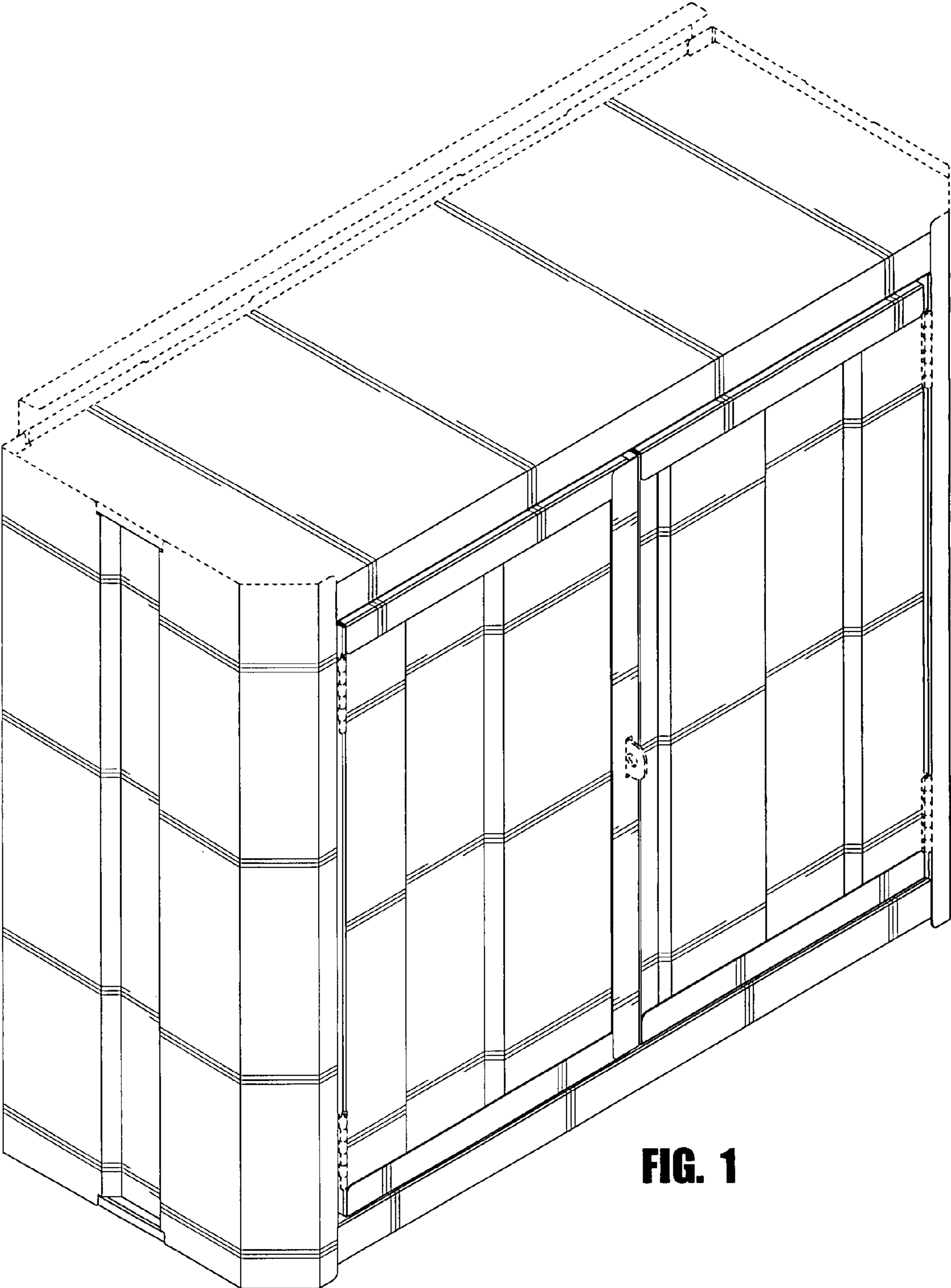


FIG. 1

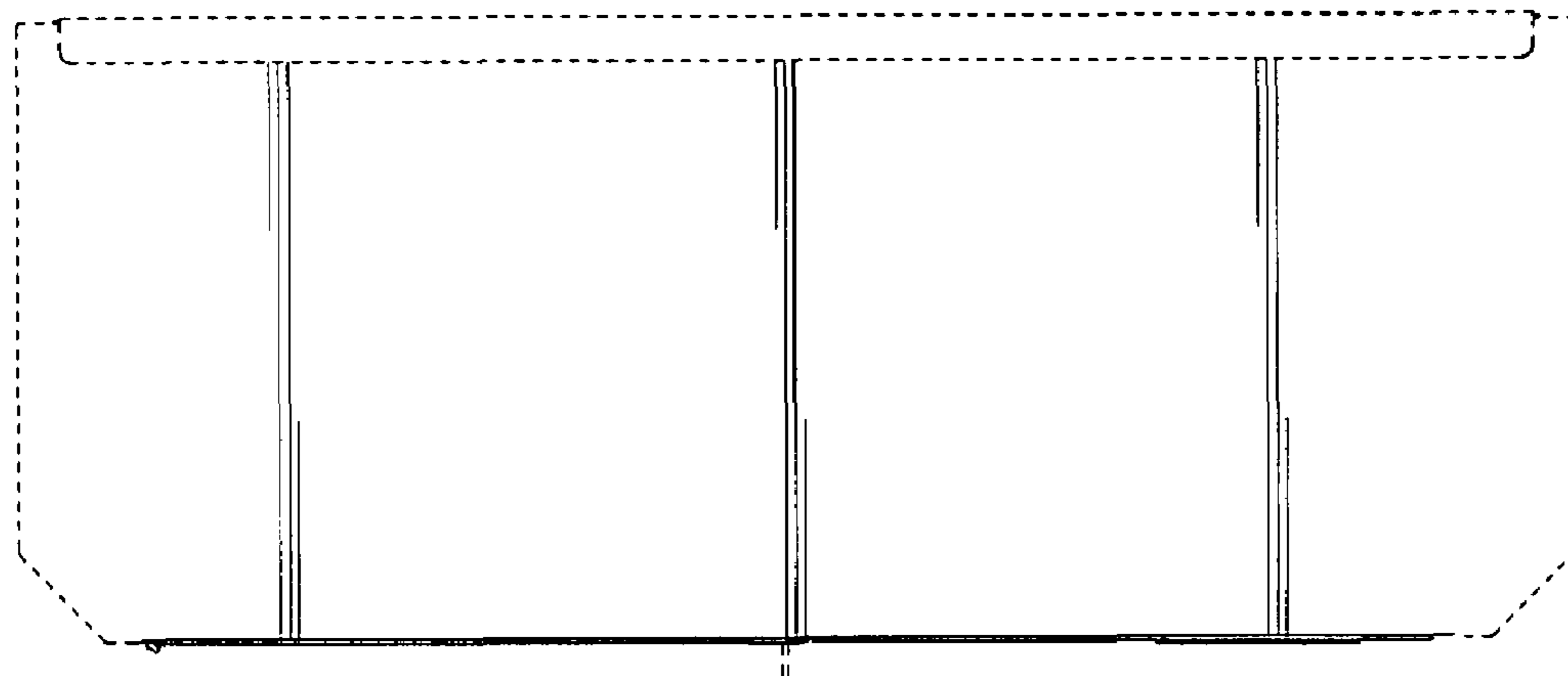


FIG. 2

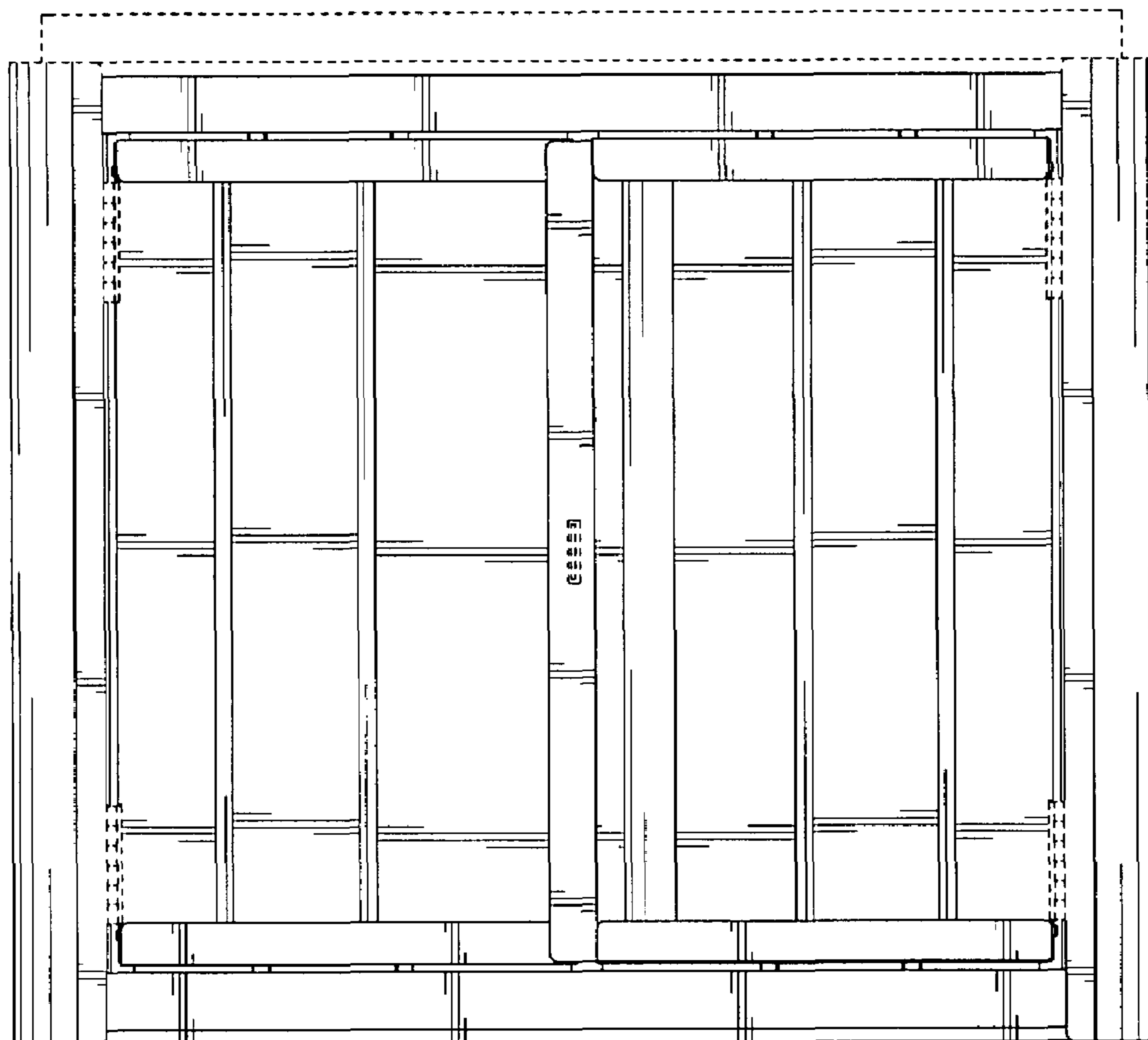


FIG. 3

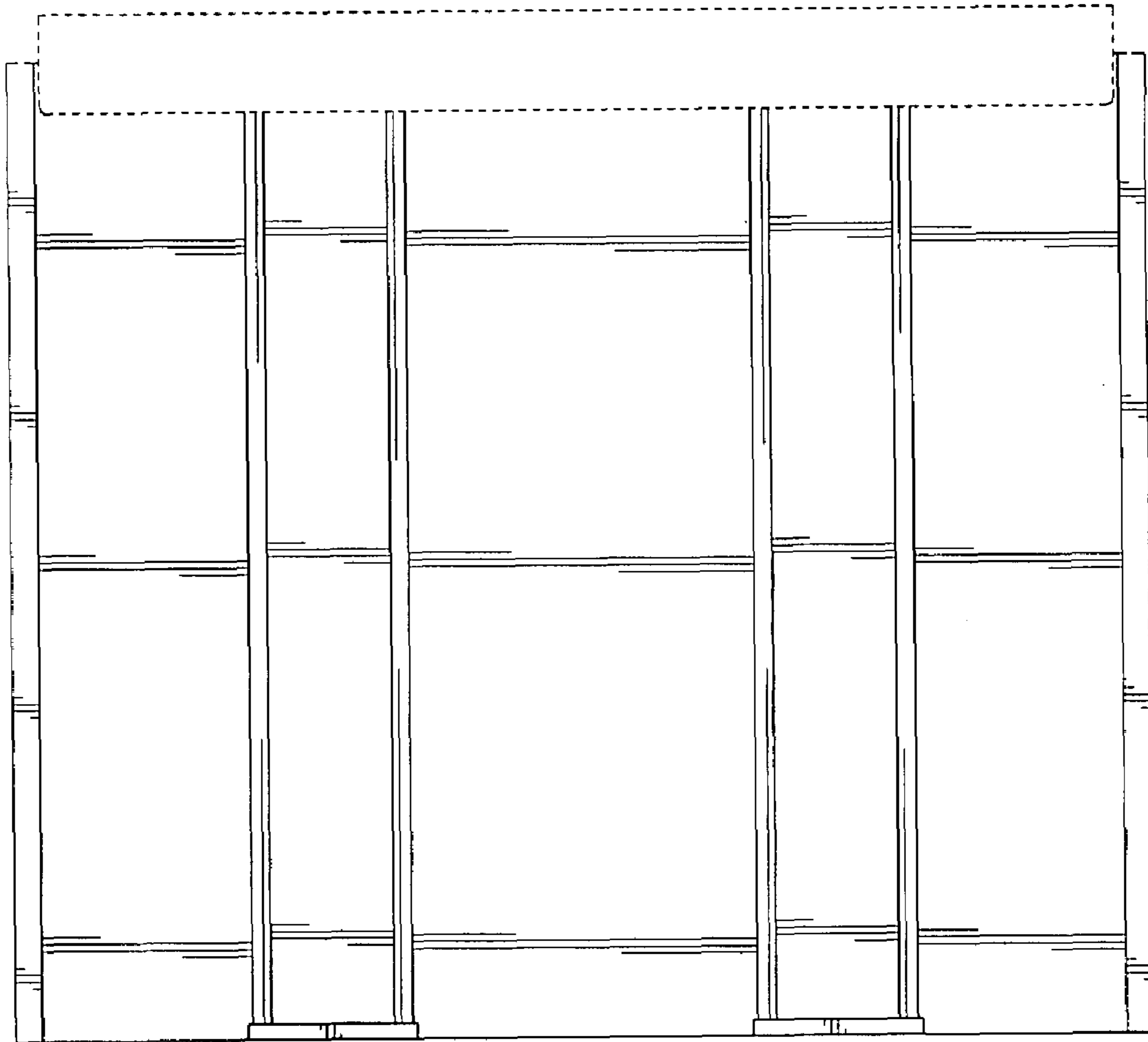


FIG. 4

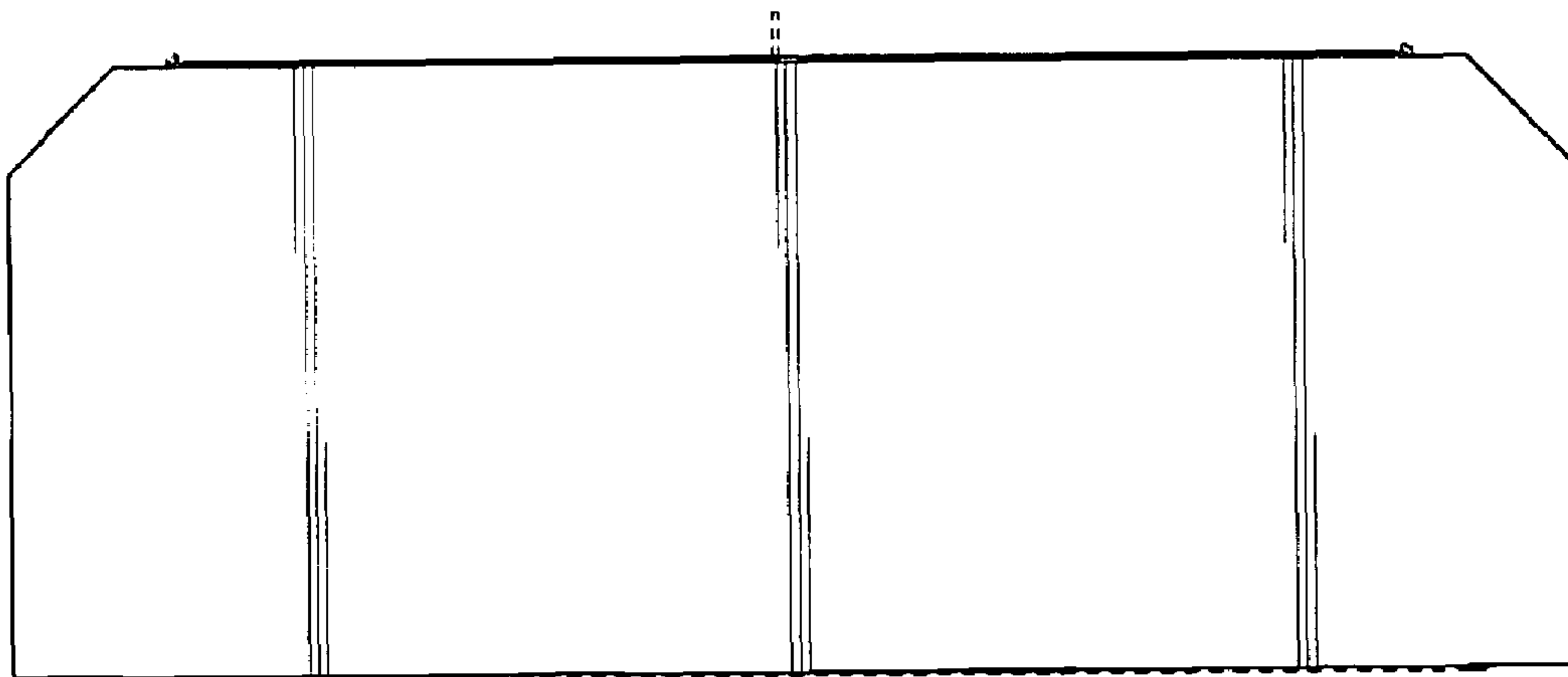


FIG. 5

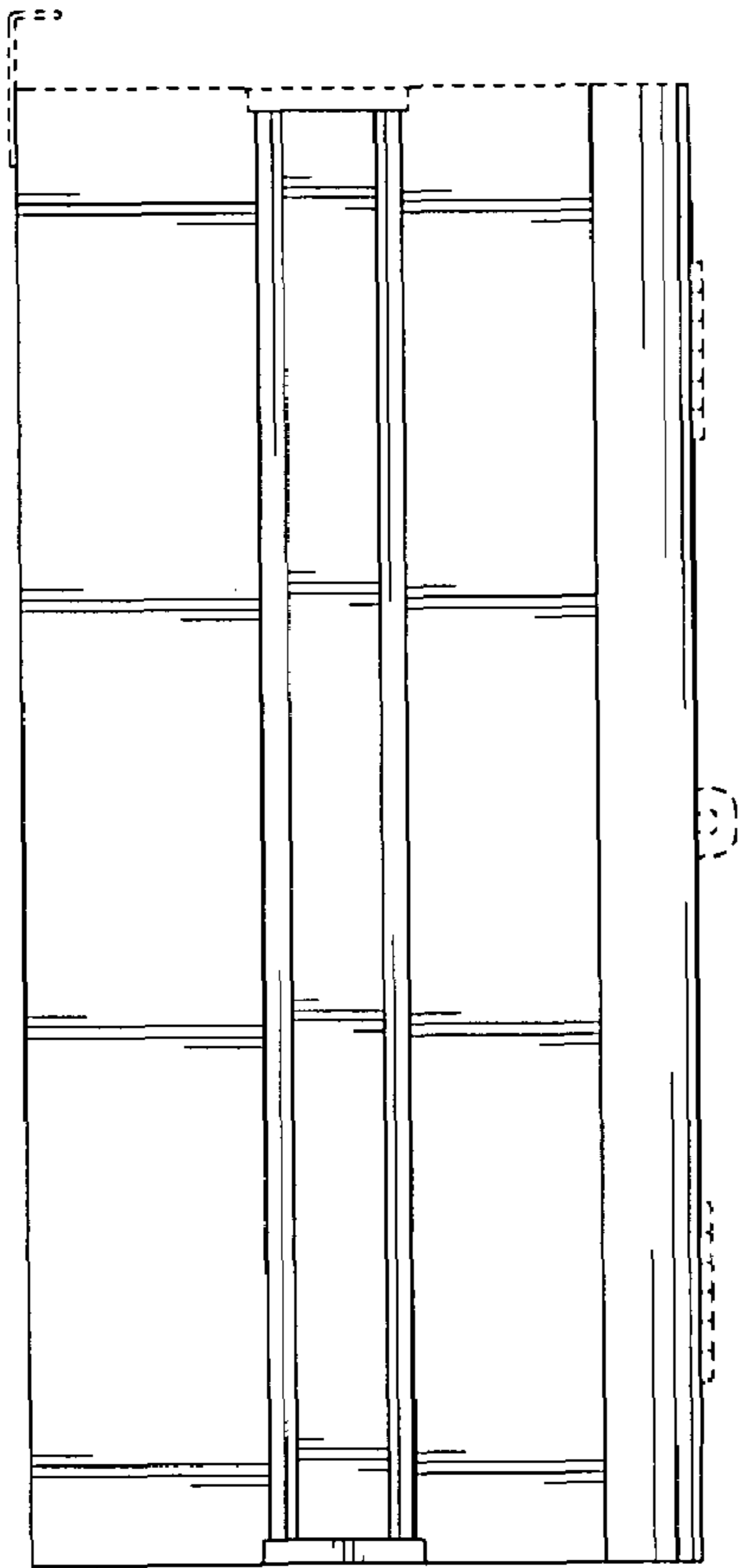


FIG. 6

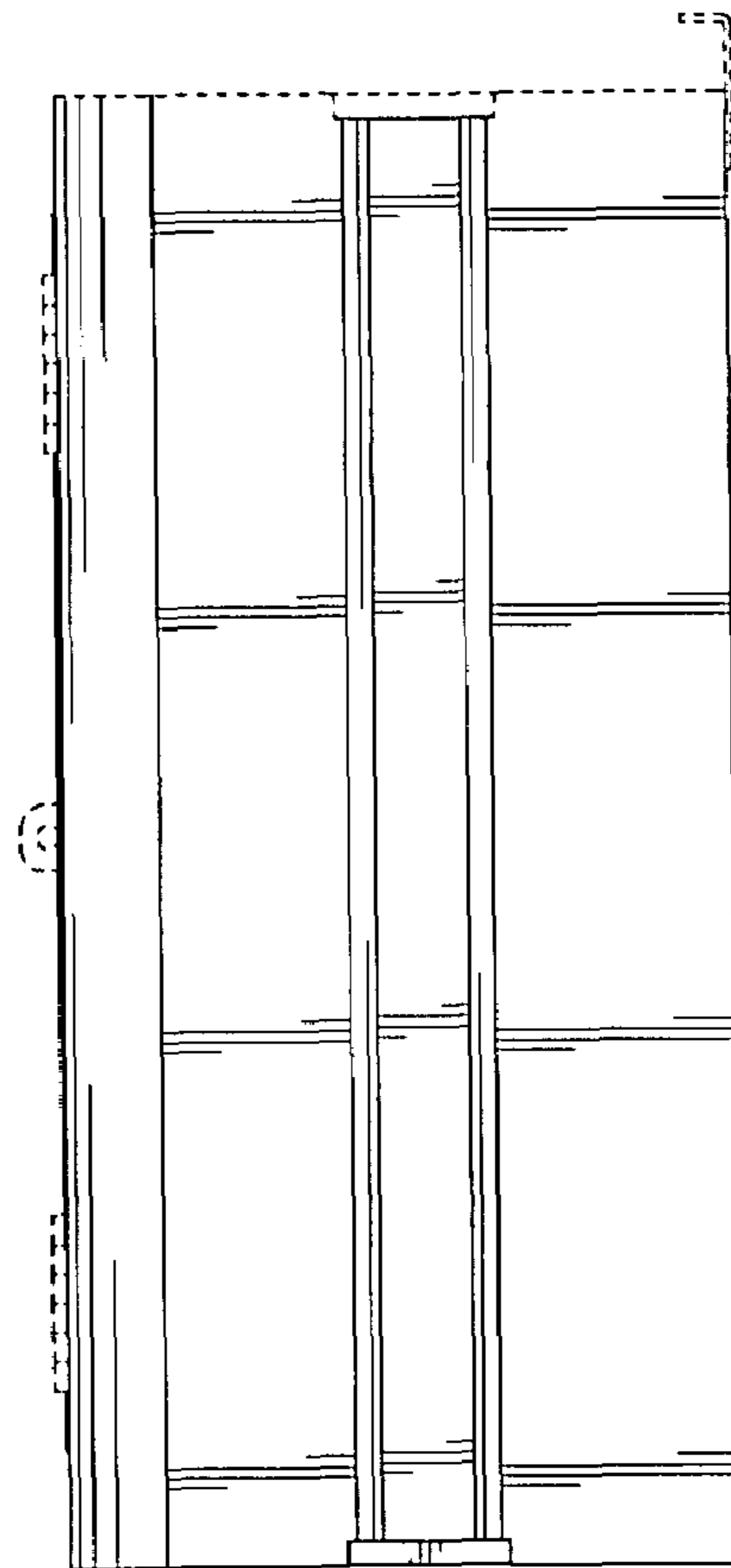


FIG. 7