



US00D559004S

(12) **United States Design Patent**  
**Chipman**

(10) **Patent No.:** **US D559,004 S**  
(45) **Date of Patent:** **\*\* Jan. 8, 2008**

(54) **BENCH**  
(75) Inventor: **Robert G. Chipman**, Austin, TX (US)  
(73) Assignee: **Landscape Forms, Inc.**, Kalamazoo, MI (US)  
(\*\*) Term: **14 Years**  
(21) Appl. No.: **29/259,912**  
(22) Filed: **May 17, 2006**

Crate&Barrel Spring Collection 2006, crateandbarrel.com, p. 103.

\* cited by examiner

*Primary Examiner*—Sandra Snapp  
(74) *Attorney, Agent, or Firm*—Heslin Rothenberg Farley & Mesiti P.C.

(51) **LOC (8) Cl.** ..... **06-01**  
(52) **U.S. Cl.** ..... **D6/381**  
(58) **Field of Classification Search** ..... D6/349–353,  
D6/355, 364, 484, 334, 500–502, 381, 369,  
D6/376, 495; 297/232–233, 445.1, 446.1,  
297/184.1; 5/15.1  
See application file for complete search history.

(57) **CLAIM**

The ornamental design for a bench, as shown and described.

(56) **References Cited**

**U.S. PATENT DOCUMENTS**

D354,173	S	*	1/1995	Escobal et al.	.....	D6/335
D424,315	S	*	5/2000	Jeng	.....	D6/370
D427,788	S	*	7/2000	Paul	.....	D6/336
6,139,110	A	*	10/2000	Jeng	.....	297/452.39
D440,420	S	*	4/2001	Goldstein	.....	D6/370
D446,399	S	*	8/2001	Slear	.....	D6/370
D513,369	S	*	1/2006	Cross	.....	D6/370
D535,114	S	*	1/2007	Goldstein	.....	D6/381
D541,547	S	*	5/2007	Goldstein	.....	D6/381

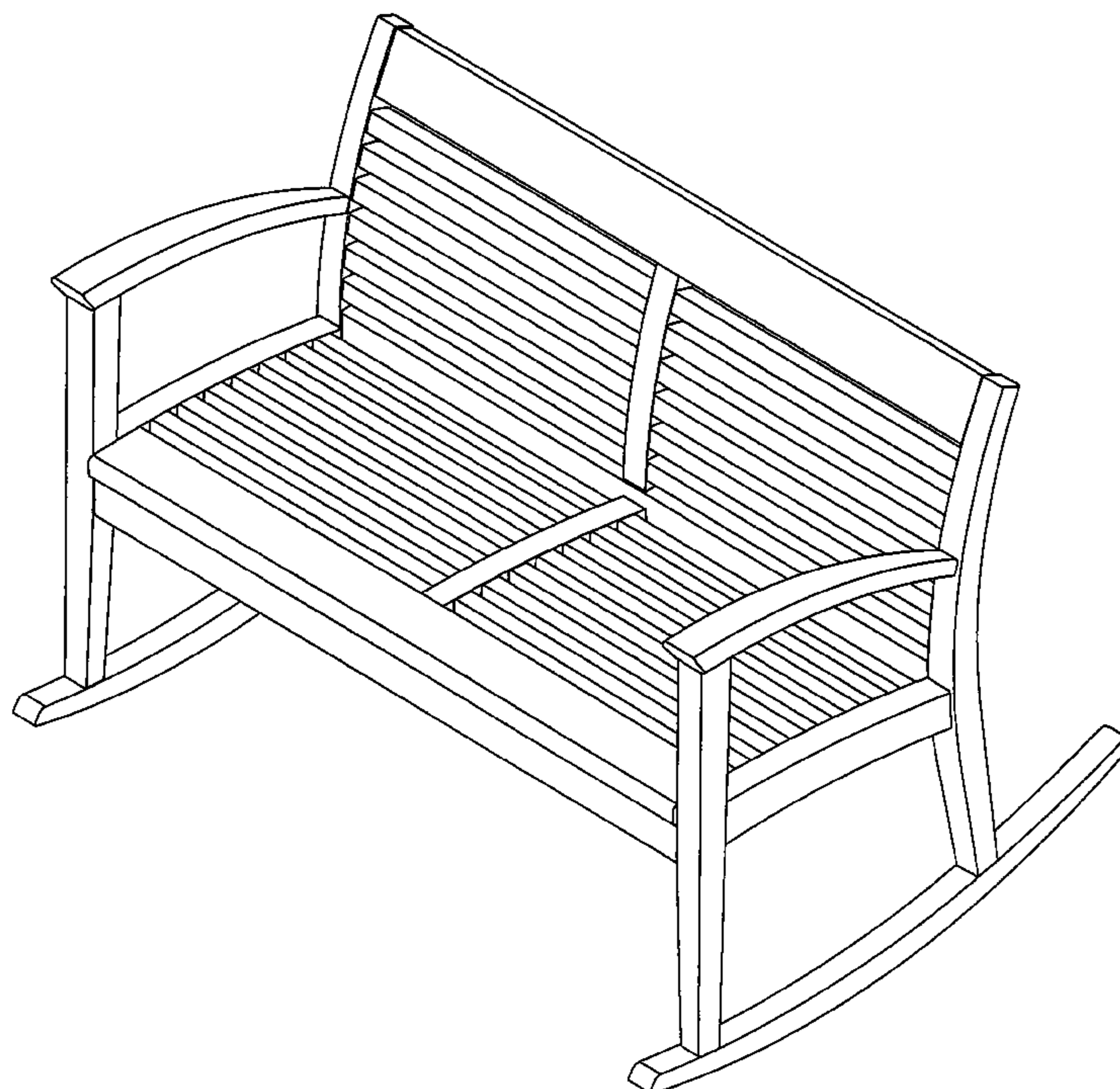
**OTHER PUBLICATIONS**

The Dunbarton bench, the Surrey Bench and the Monaco seat,  
Sweet's Catalog File, 2004, vol. 2.\*

**DESCRIPTION**

FIG. 1 is a front elevation view of a first embodiment of the bench of the present invention;  
FIG. 2 is a right side elevation view thereof, the left side elevation view being a mirror image thereof;  
FIG. 3 is a rear elevation view thereof;  
FIG. 4 is a top plan view thereof;  
FIG. 5 is an isometric view thereof;  
FIG. 6 is a front elevation view of a second embodiment thereof;  
FIG. 7 is a right side elevation view thereof, the left side elevation view being a mirror image thereof;  
FIG. 8 is a rear elevation view thereof;  
FIG. 9 is a top plan view thereof; and  
FIG. 10 is an isometric view thereof; and,  
FIG. 11 is an isometric view of a third embodiment.

**1 Claim, 11 Drawing Sheets**



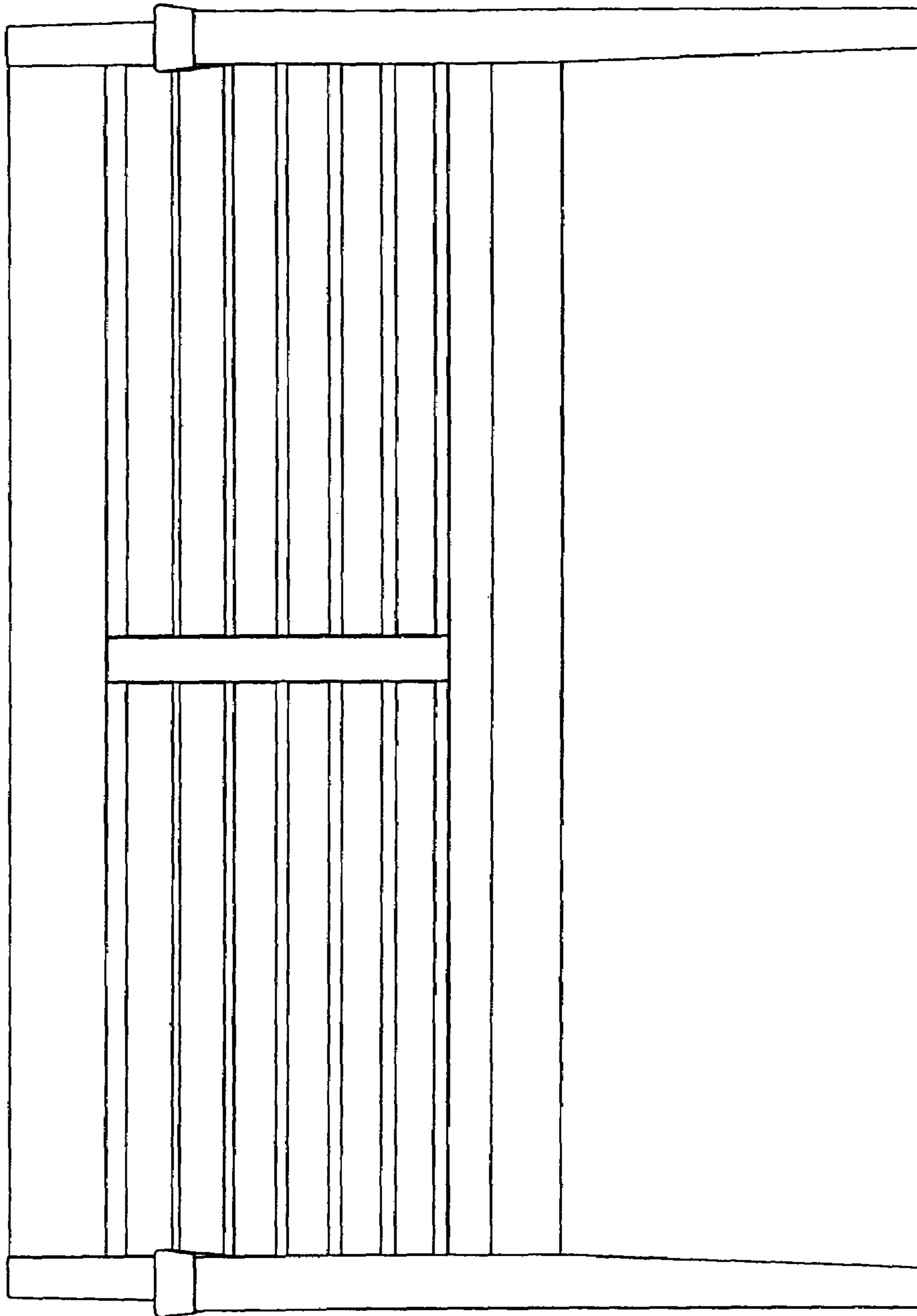


FIGURE 1

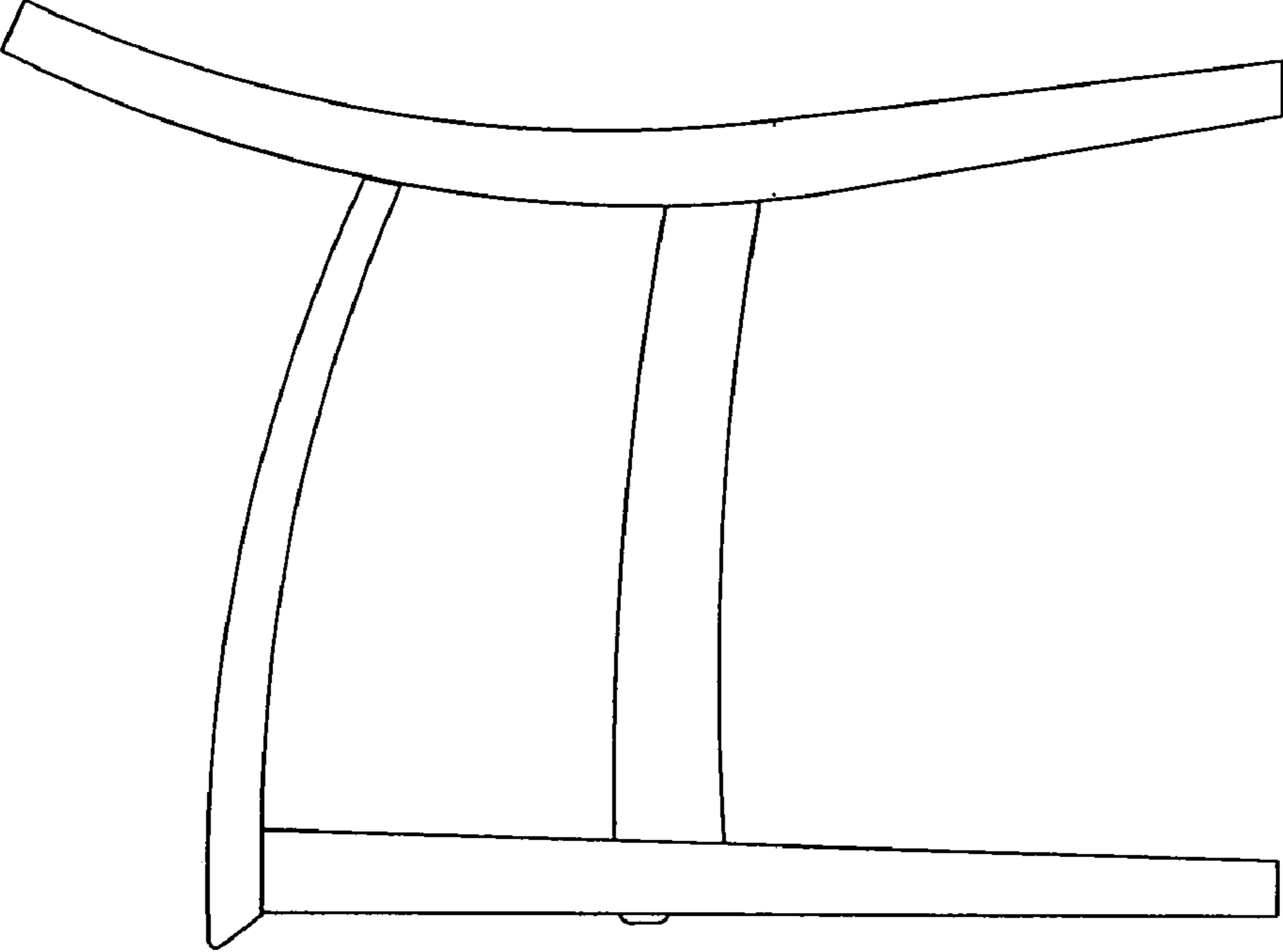


FIGURE 2

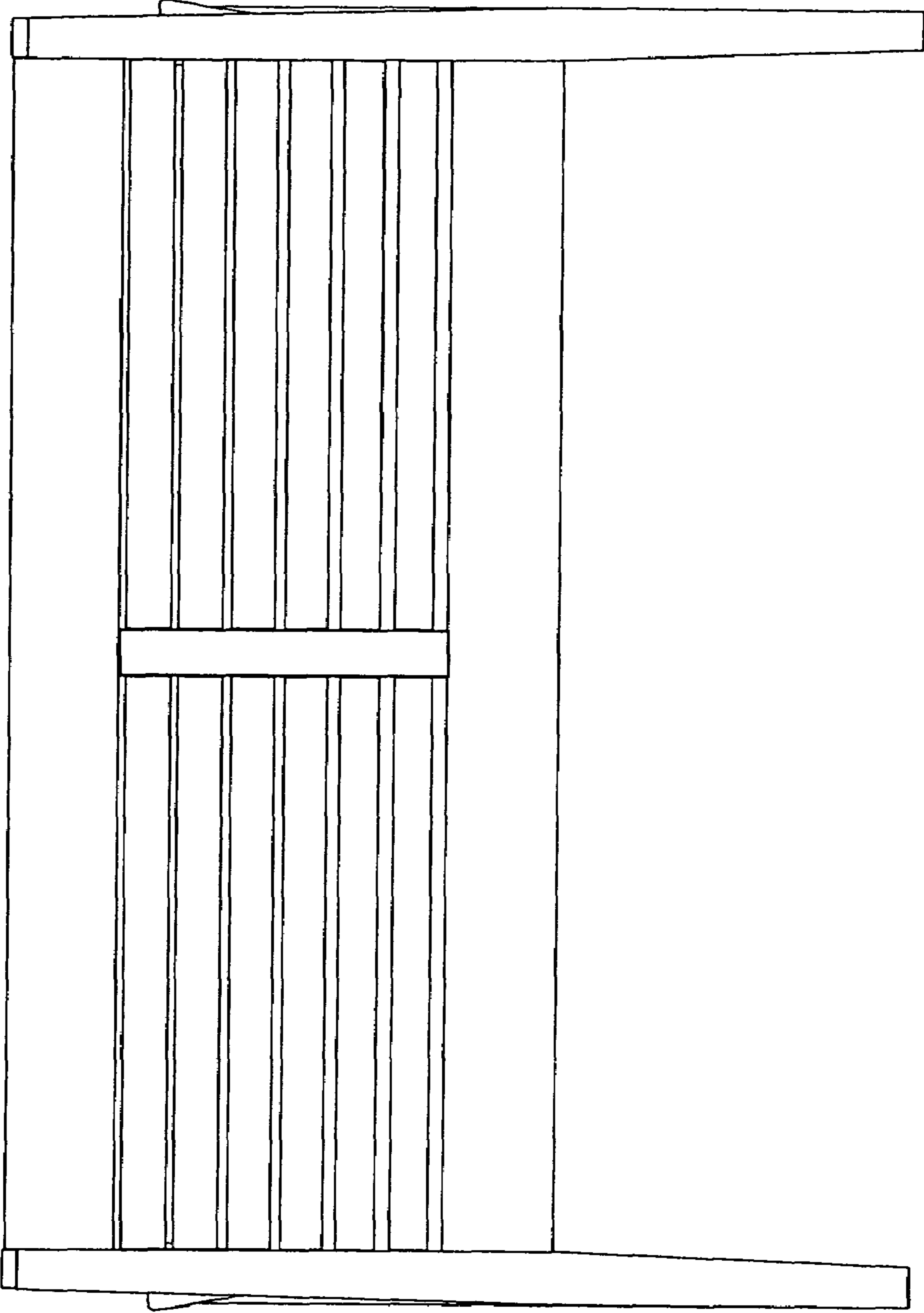


FIGURE 3

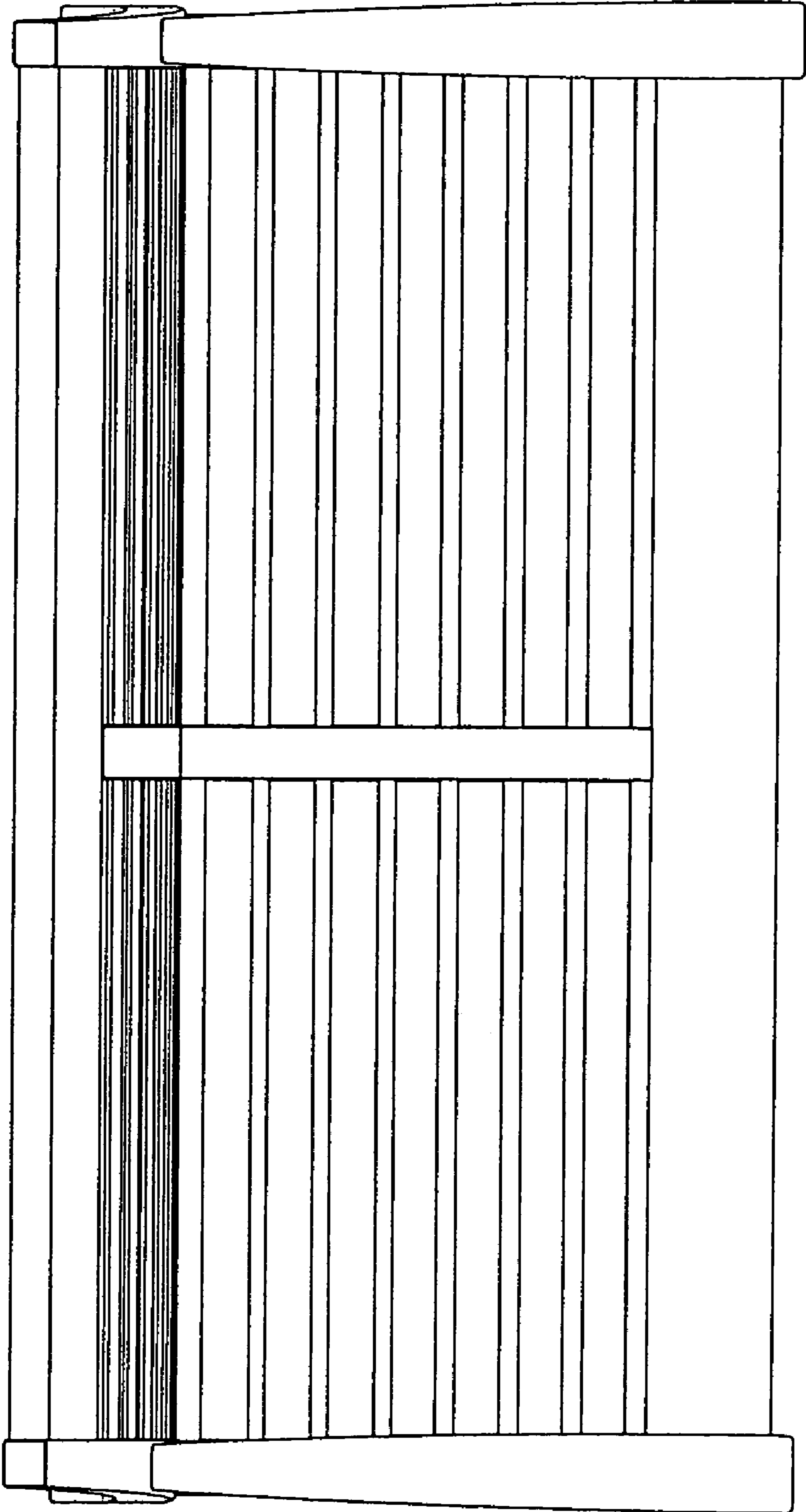


FIGURE 4

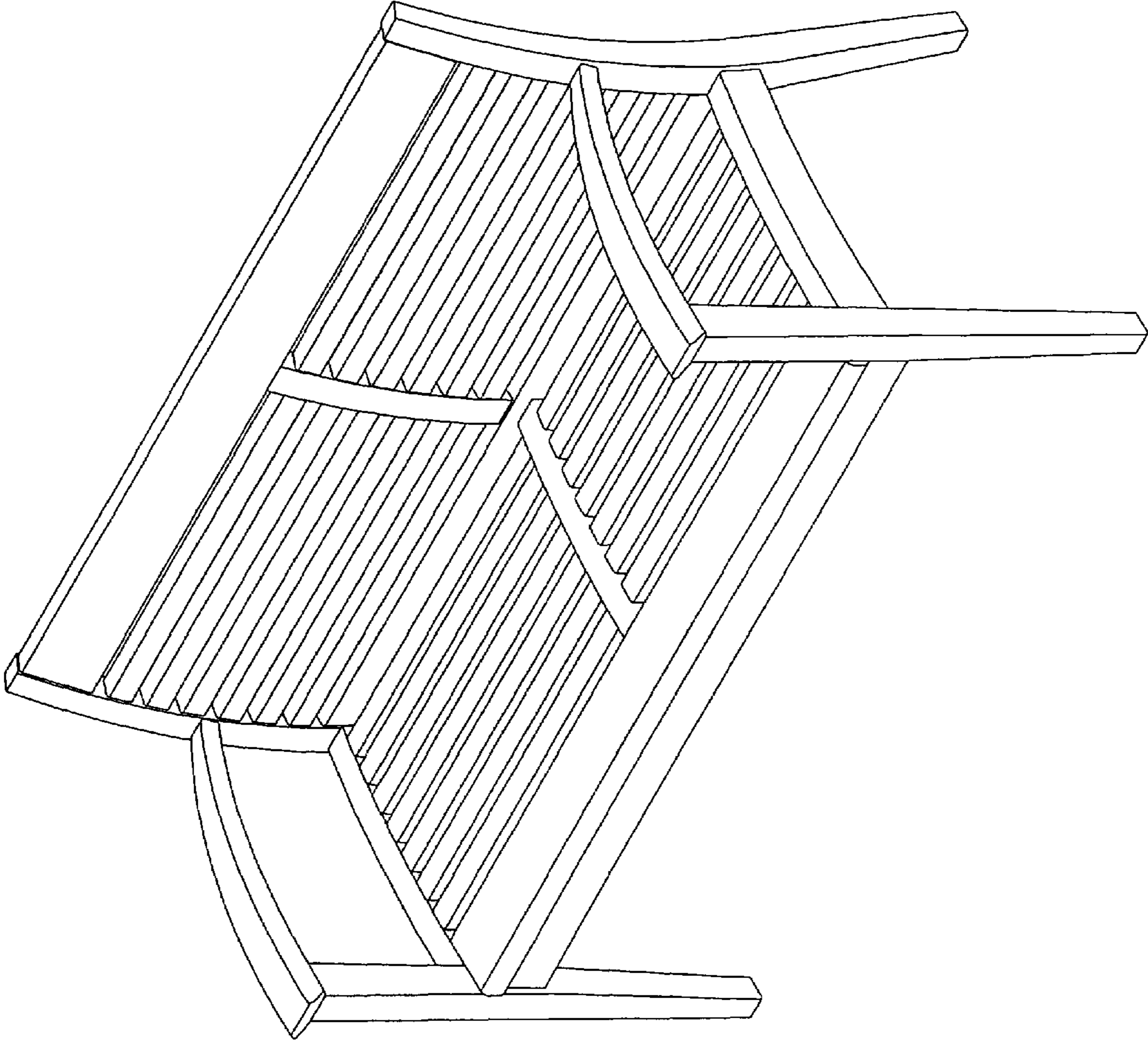


FIGURE 5

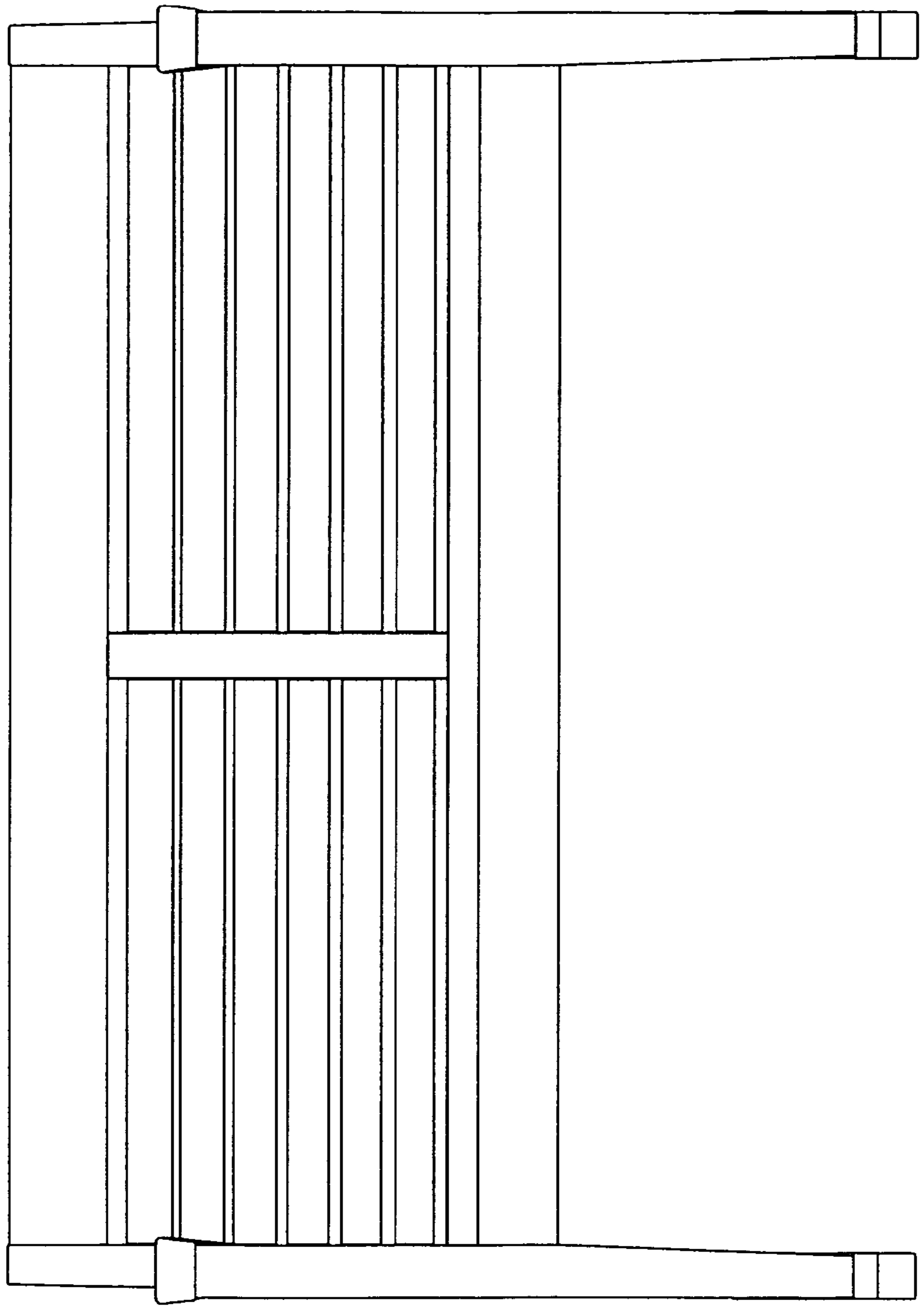


FIGURE 6

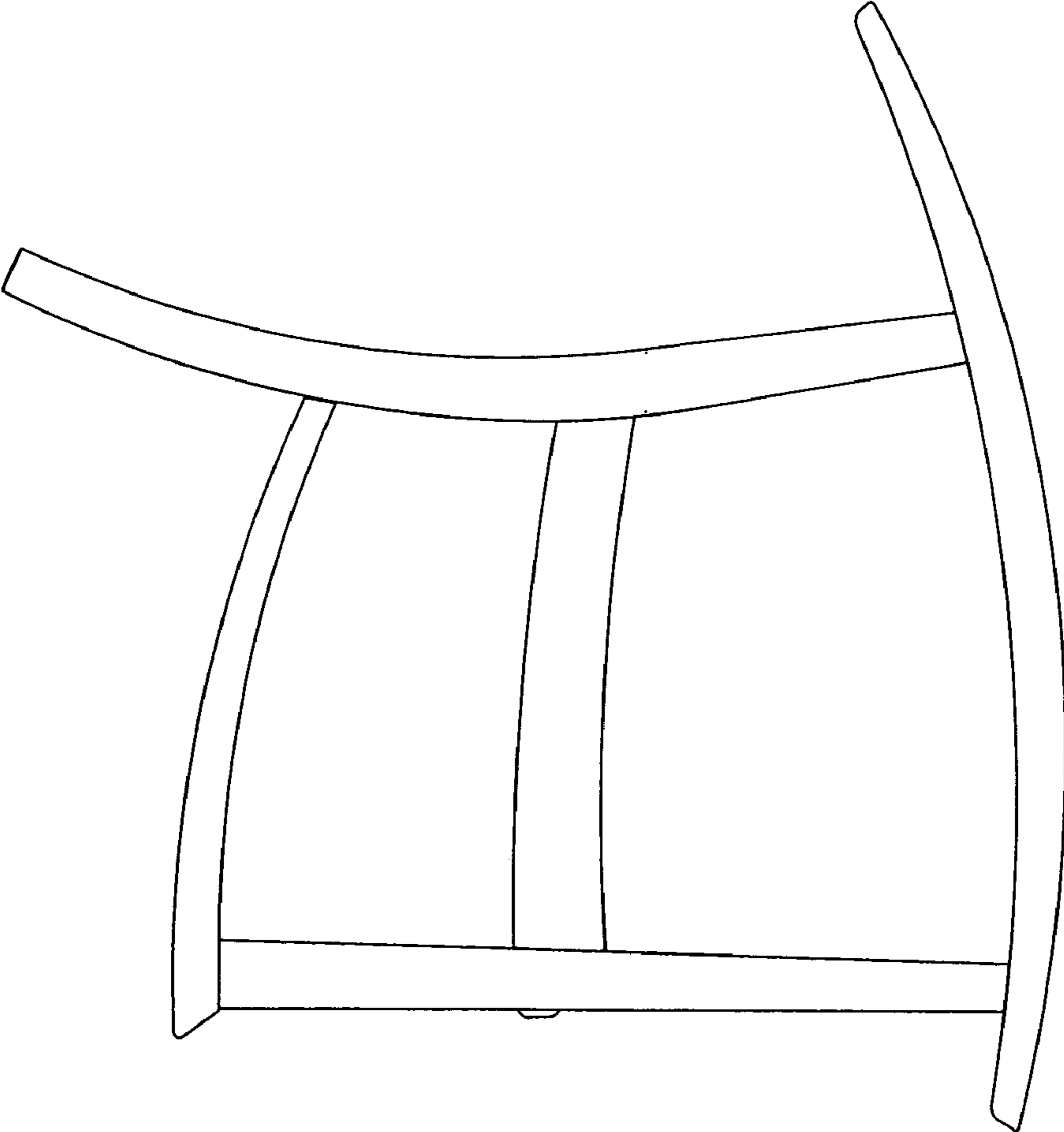


FIGURE 7



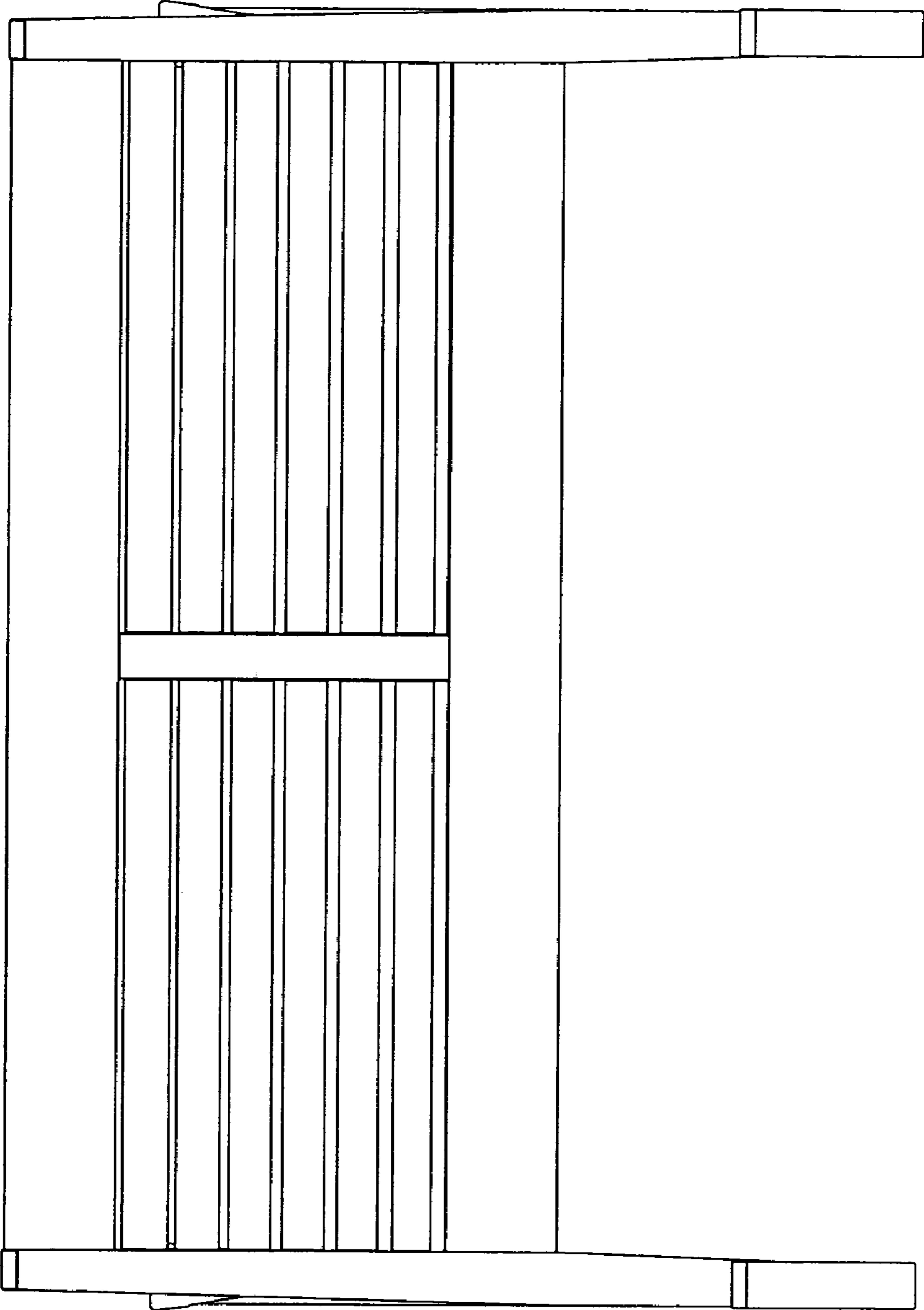


FIGURE 8

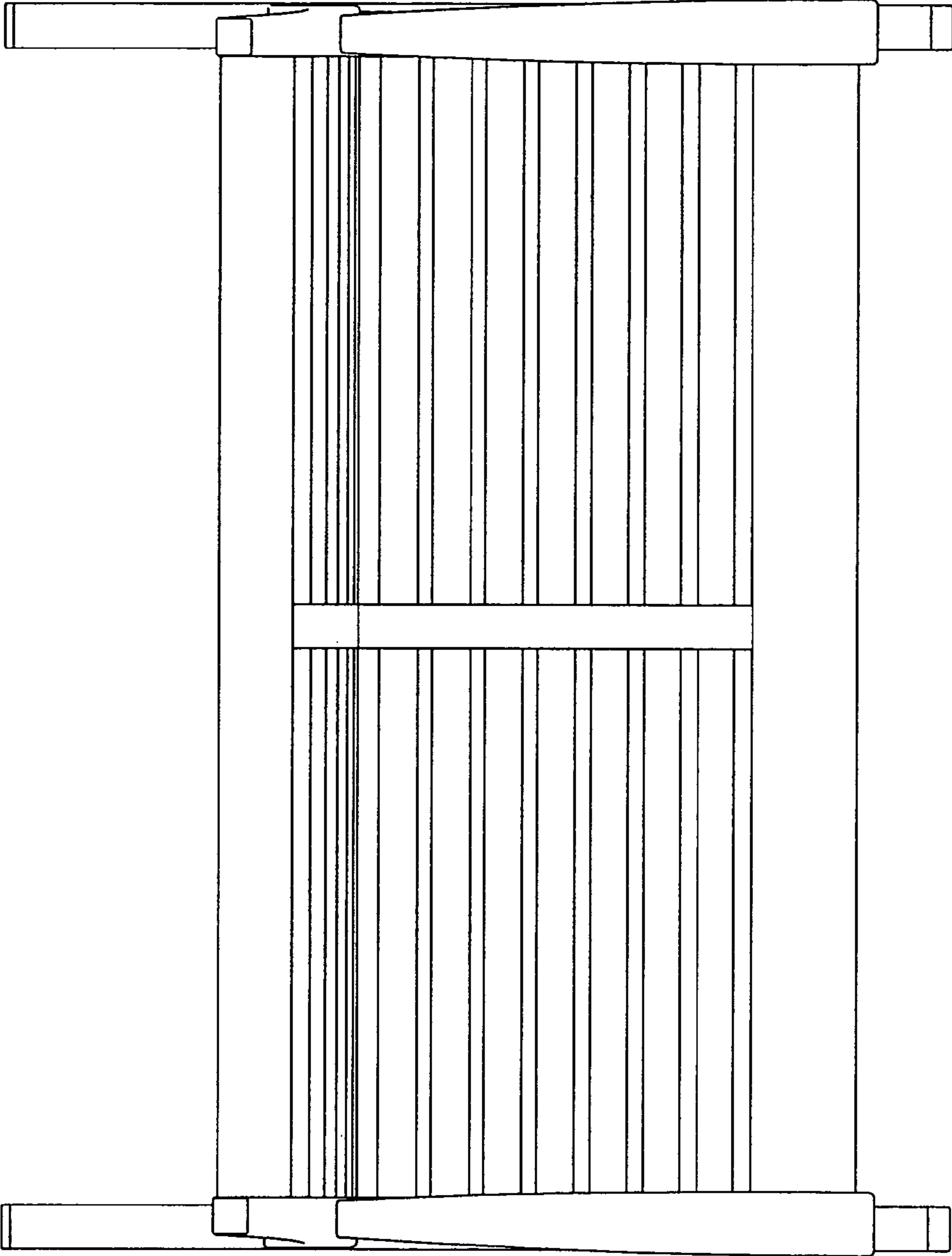


FIGURE 9

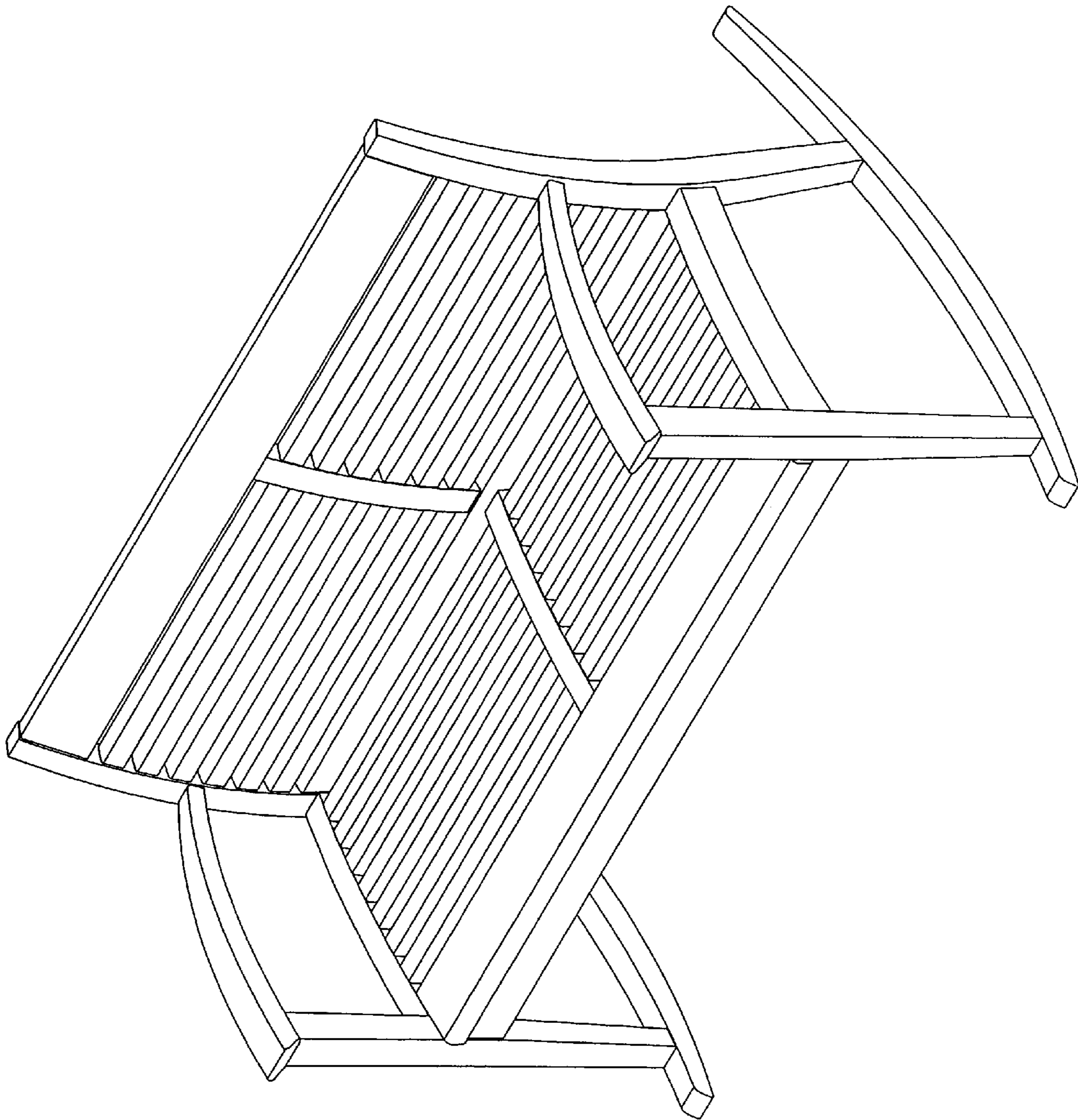


FIGURE 10

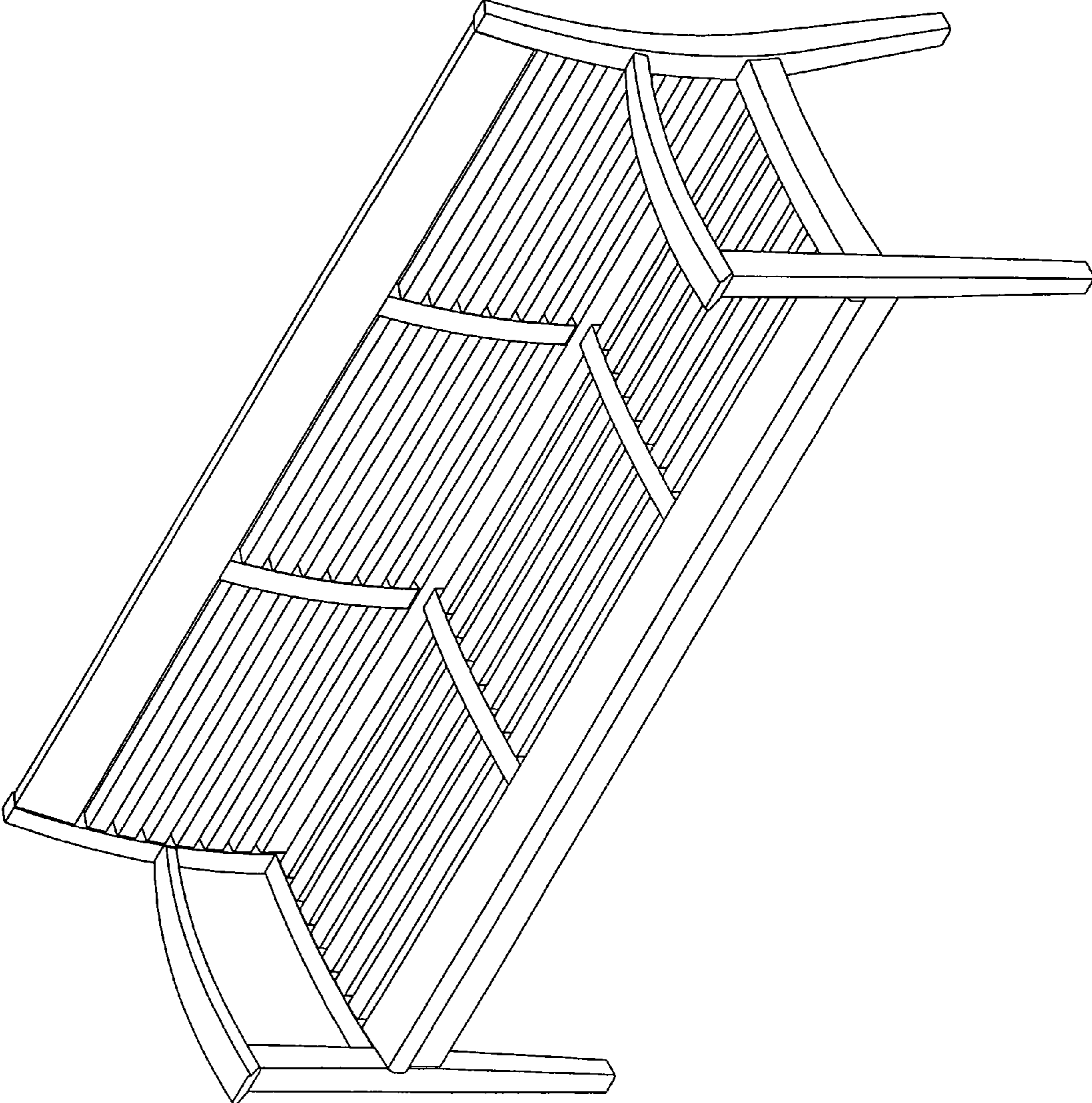


FIGURE 11