



US00D558998S

(12) **United States Design Patent**  
**Hara**

(10) **Patent No.:** **US D558,998 S**  
(45) **Date of Patent:** **\*\* Jan. 8, 2008**

- (54) **CHAIR**
- (75) Inventor: **Eisuke Hara**, Kawasaki (JP)
- (73) Assignee: **Okamura Corporation** (JP)
- (\*\*) Term: **14 Years**
- (21) Appl. No.: **29/279,074**
- (22) Filed: **Apr. 19, 2007**
- (30) **Foreign Application Priority Data**  
Oct. 24, 2006 (JP) ..... 2006-029072
- (51) **LOC (8) Cl.** ..... **06-01**
- (52) **U.S. Cl.** ..... **D6/366**
- (58) **Field of Classification Search** ..... D6/334-335,  
D6/356, 364, 365, 366, 367, 374, 500-502;  
297/411.27, 452.21, 452.24, 452.26, 452.32,  
297/452.33, 452.37, 452.48  
See application file for complete search history.

(56) **References Cited**

**U.S. PATENT DOCUMENTS**

- D274,769 S \* 7/1984 Klier ..... D6/366
- D358,944 S \* 6/1995 Citterio ..... D6/366
- D388,258 S \* 12/1997 Ambasz ..... D6/366
- D417,792 S \* 12/1999 Hansen et al. .... D6/366
- D458,778 S \* 6/2002 Lee ..... D6/501
- D477,469 S \* 7/2003 Brooks ..... D6/366
- D514,338 S \* 2/2006 Bellin ..... D6/366

- D543,369 S \* 5/2007 Hara ..... D6/366
- D546,594 S \* 7/2007 Kane et al. .... D6/500
- D547,078 S \* 7/2007 Huang ..... D6/366
- D549,476 S \* 8/2007 Chu et al. .... D6/366

\* cited by examiner

*Primary Examiner*—Mimosa De

(74) *Attorney, Agent, or Firm*—Ostrolenk, Faber, Gerb & Soffen, LLP

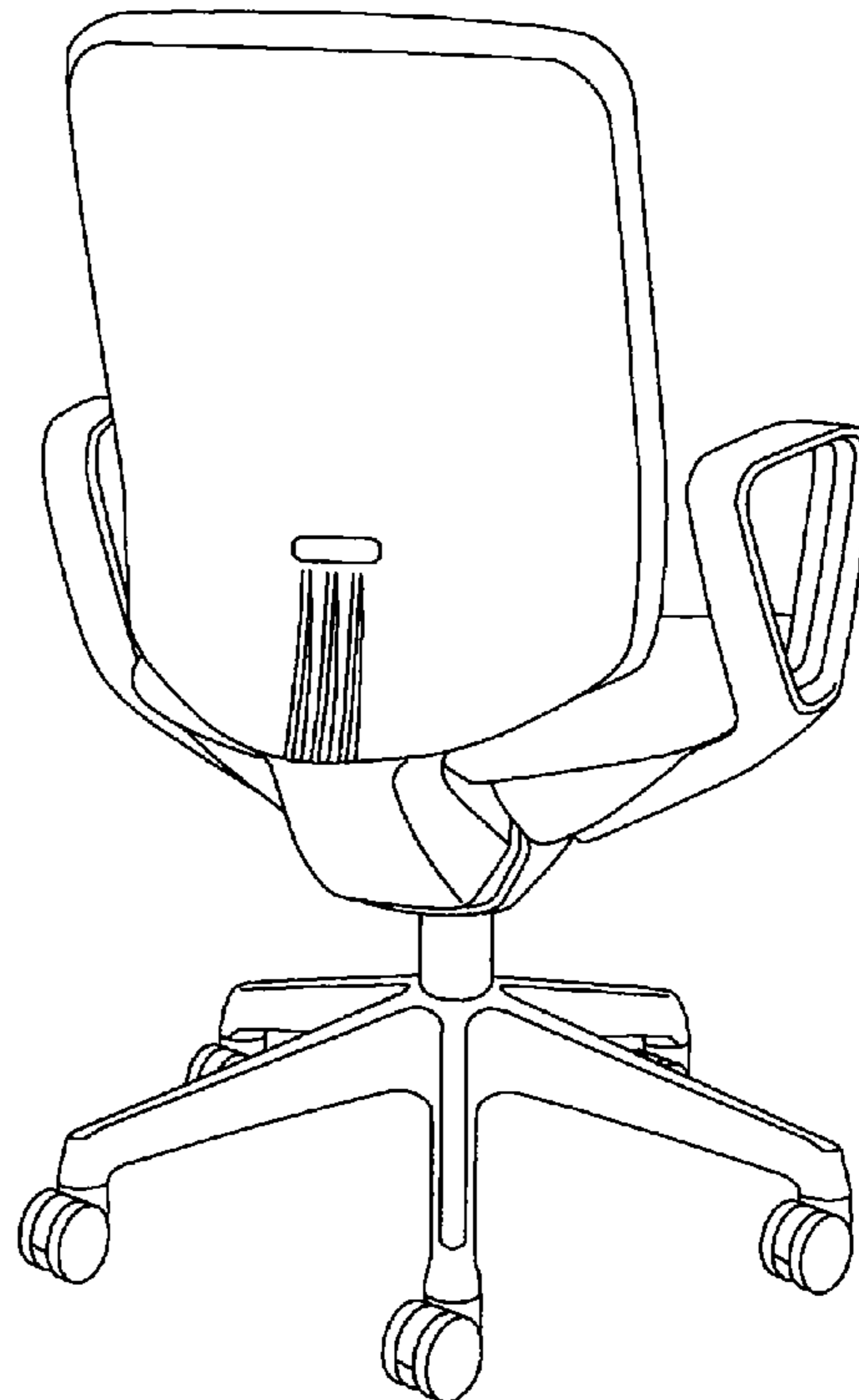
(57) **CLAIM**

The ornamental design for a chair, as shown and described.

**DESCRIPTION**

- FIG. 1 is a front elevational view of a chair showing my new design;
- FIG. 2 is a right side elevational view thereof;
- FIG. 3 is a top plan view thereof;
- FIG. 4 is a rear elevational view thereof;
- FIG. 5 is a bottom plan view thereof;
- FIG. 6 is a vertical sectional view taken along the line A—A in FIG. 1;
- FIG. 7 is a cross sectional view taken along the line B—B in FIG. 1;
- FIG. 8 is a front perspective view of the chair; and,
- FIG. 9 is a rear perspective view thereof.

**1 Claim, 5 Drawing Sheets**



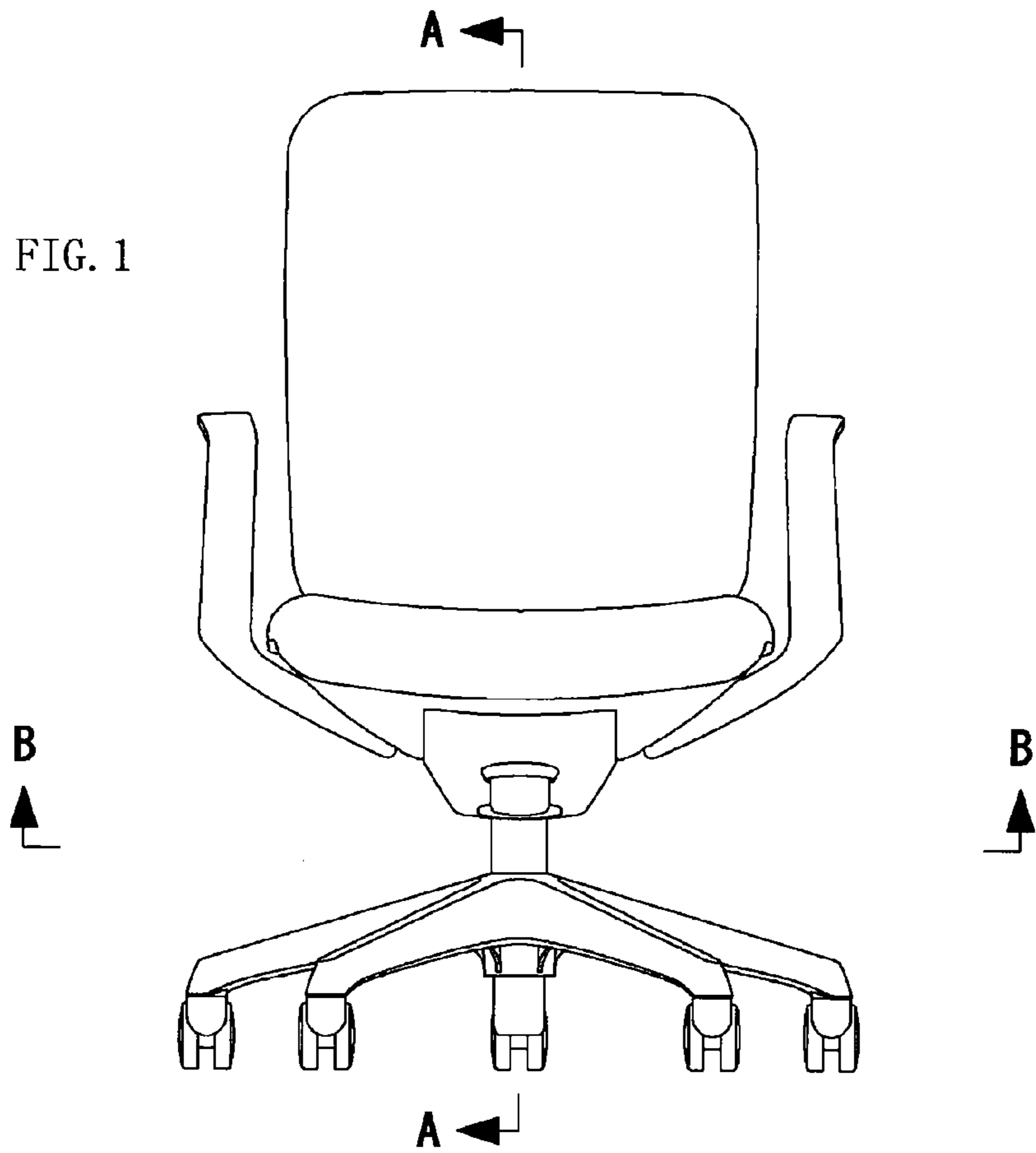


FIG. 2

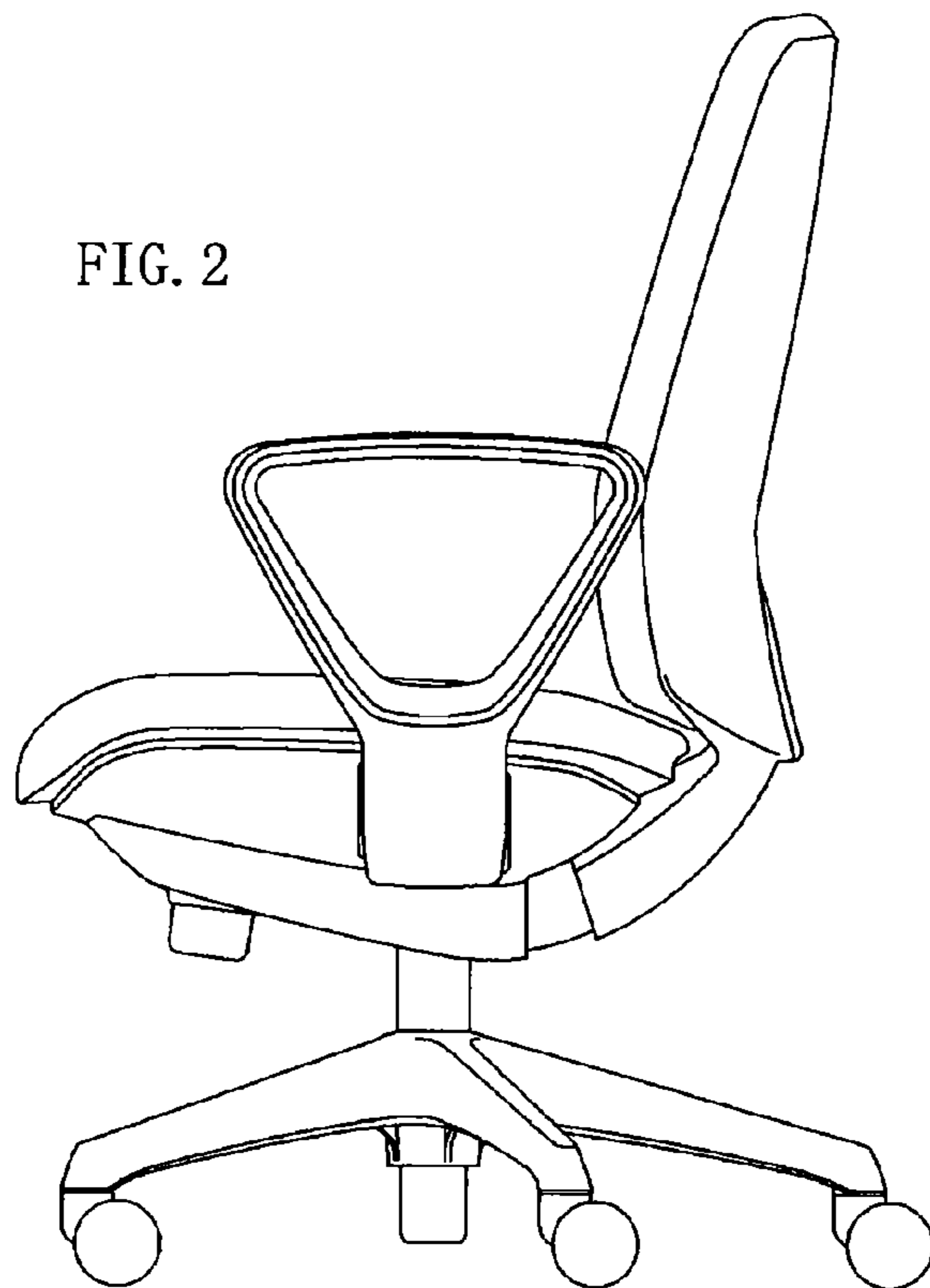


FIG. 3

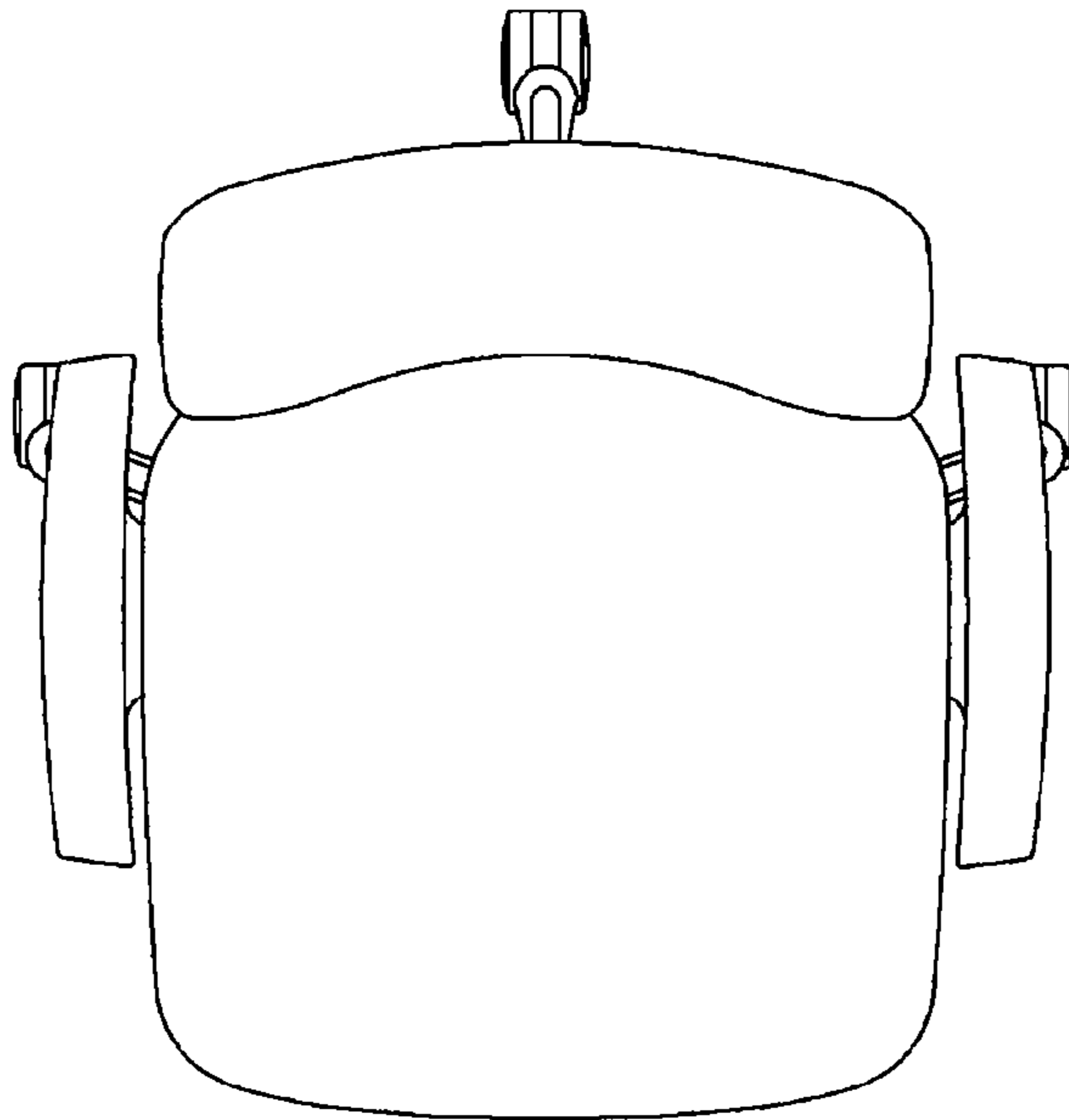


FIG. 4

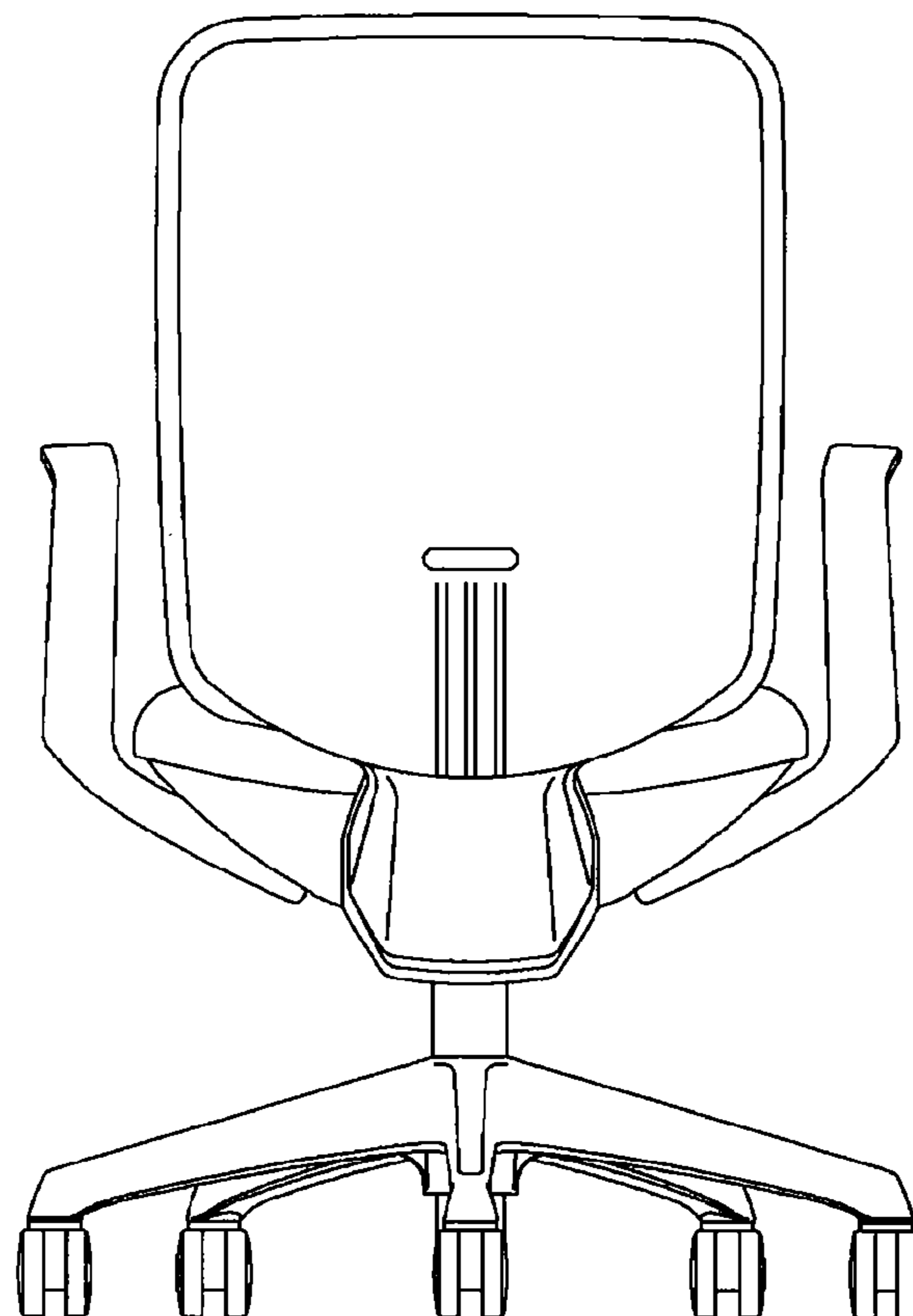


FIG. 5

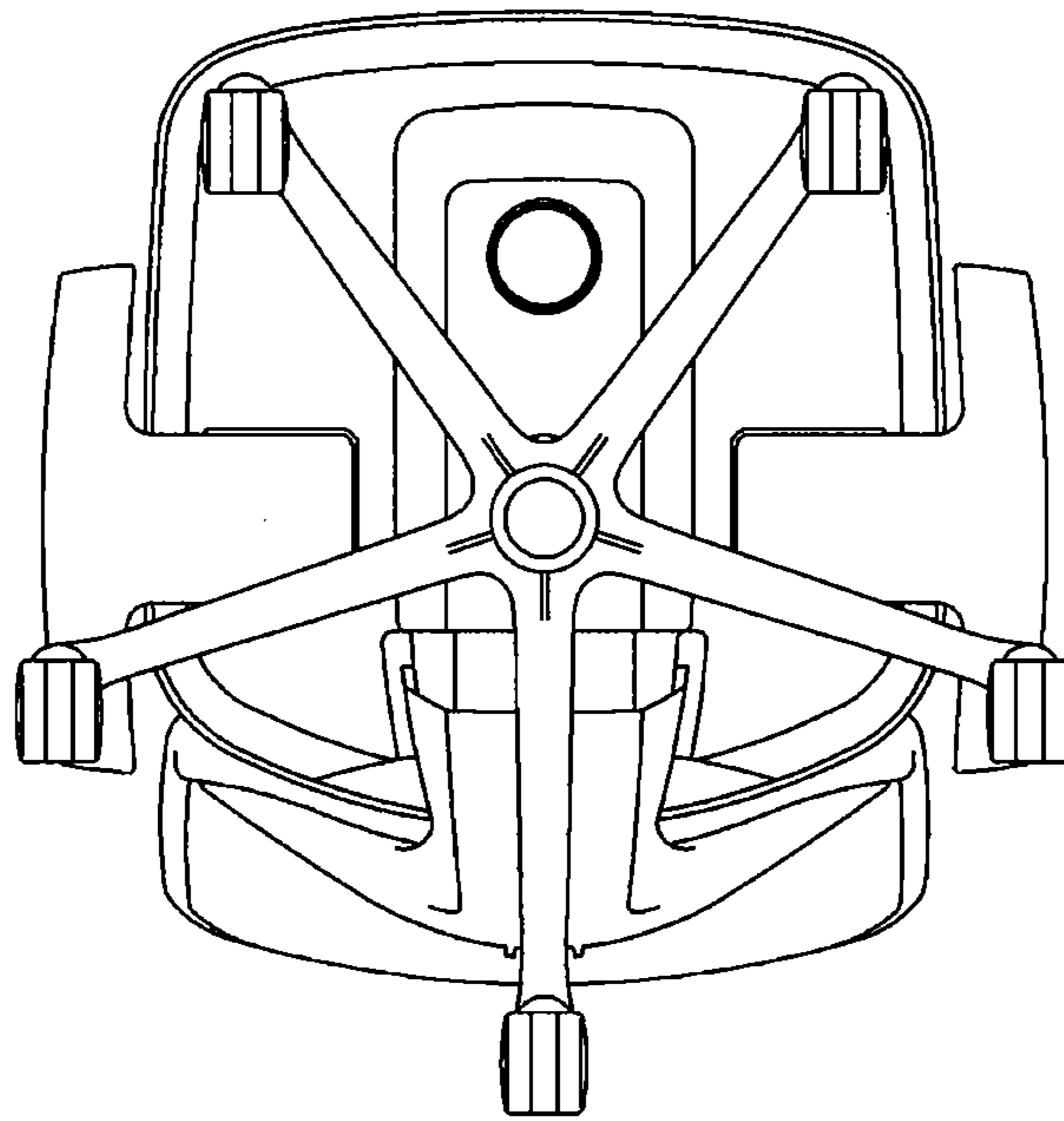


FIG. 6

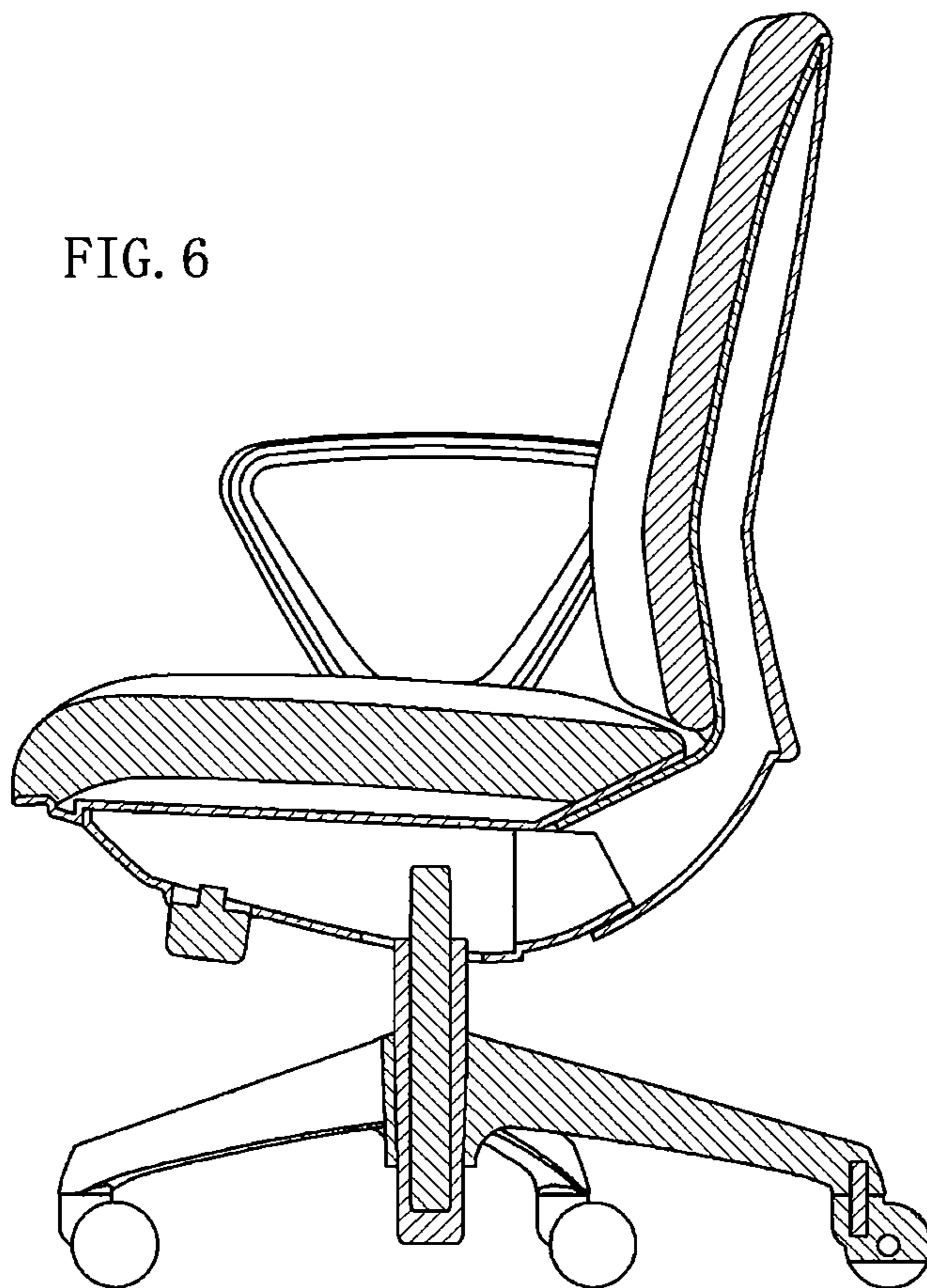


FIG. 7

