



US00D558994S

(12) **United States Design Patent** (10) **Patent No.:** **US D558,994 S**
Machael et al. (45) **Date of Patent:** **** Jan. 8, 2008**

(54) **CHAIR**

(75) Inventors: **Jay R. Machael**, Muscatine, IA (US);
John Koch, Muscatine, IA (US);
Marcus C. Koepke, Indianapolis, IN (US)

(73) Assignee: **HNI Corporation**, Muscatine, IA (US)

(**) Term: **14 Years**

(21) Appl. No.: **29/256,802**

(22) Filed: **Mar. 24, 2006**

(51) **LOC (8) Cl.** **06-01**

(52) **U.S. Cl.** **D6/366**

(58) **Field of Classification Search** D6/364-368,
D6/334-336, 374-376, 379-380, 498, 500-502;
297/301.1, 313, 353, 354.1, 411.2, 411.25,
297/411.27, 411.36, 411.38, 445.1, 451.1,
297/446.1, 452.33, 452.35, 452.48, 463.1
See application file for complete search history.

(56) **References Cited**

U.S. PATENT DOCUMENTS

D247,463 S *	3/1978	Muller-Deisig	D6/366
D260,330 S *	8/1981	Ruf	D6/366
D273,249 S *	4/1984	Petitt	D6/366
D274,869 S	7/1984	Aronowitz et al.		
D279,153 S	6/1985	Aronowitz et al.		
D320,507 S	10/1991	Shields		
D348,570 S	7/1994	Scheper et al.		
D354,631 S	1/1995	Orlandini et al.		
5,755,488 A	5/1998	Beda et al.		
5,772,282 A	6/1998	Stumpf et al.		
D402,481 S	12/1998	Neil		
D403,518 S	1/1999	Wilson		
6,035,901 A	3/2000	Stumpf et al.		
D462,549 S	9/2002	Chu		
6,523,898 B1	2/2003	Ball et al.		
D471,024 S *	3/2003	Chadwick et al.	D6/366
6,572,190 B2	6/2003	Koepke et al.		

6,588,842 B2	7/2003	Stumpf et al.		
6,609,755 B2	8/2003	Koepke et al.		
6,688,692 B2	2/2004	Phillips et al.		
6,722,741 B2	4/2004	Stumpf et al.		
6,729,691 B2	5/2004	Koepke et al.		
6,935,689 B2	8/2005	Horiki et al.		
D509,671 S *	9/2005	Olson et al.	433/1
D509,969 S *	9/2005	Loew et al.	D6/366
6,959,965 B2	11/2005	Diffrient		
6,966,604 B2	11/2005	Stumpf et al.		
6,981,743 B2	1/2006	Edwards et al.		
6,991,291 B2	1/2006	Knoblock et al.		
D517,820 S *	3/2006	Citterio	D6/366
7,097,249 B2	8/2006	Igarashi et al.		
2004/0017102 A1	1/2004	Igarashi et al.		
2006/0238009 A1	10/2006	Igarashi et al.		

FOREIGN PATENT DOCUMENTS

JP	2004/049658	2/2004
JP	2004/049691	2/2004

* cited by examiner

Primary Examiner—Caron D. Veynar
Assistant Examiner—Abraham Bahta
(74) *Attorney, Agent, or Firm*—Faegre & Benson, LLP

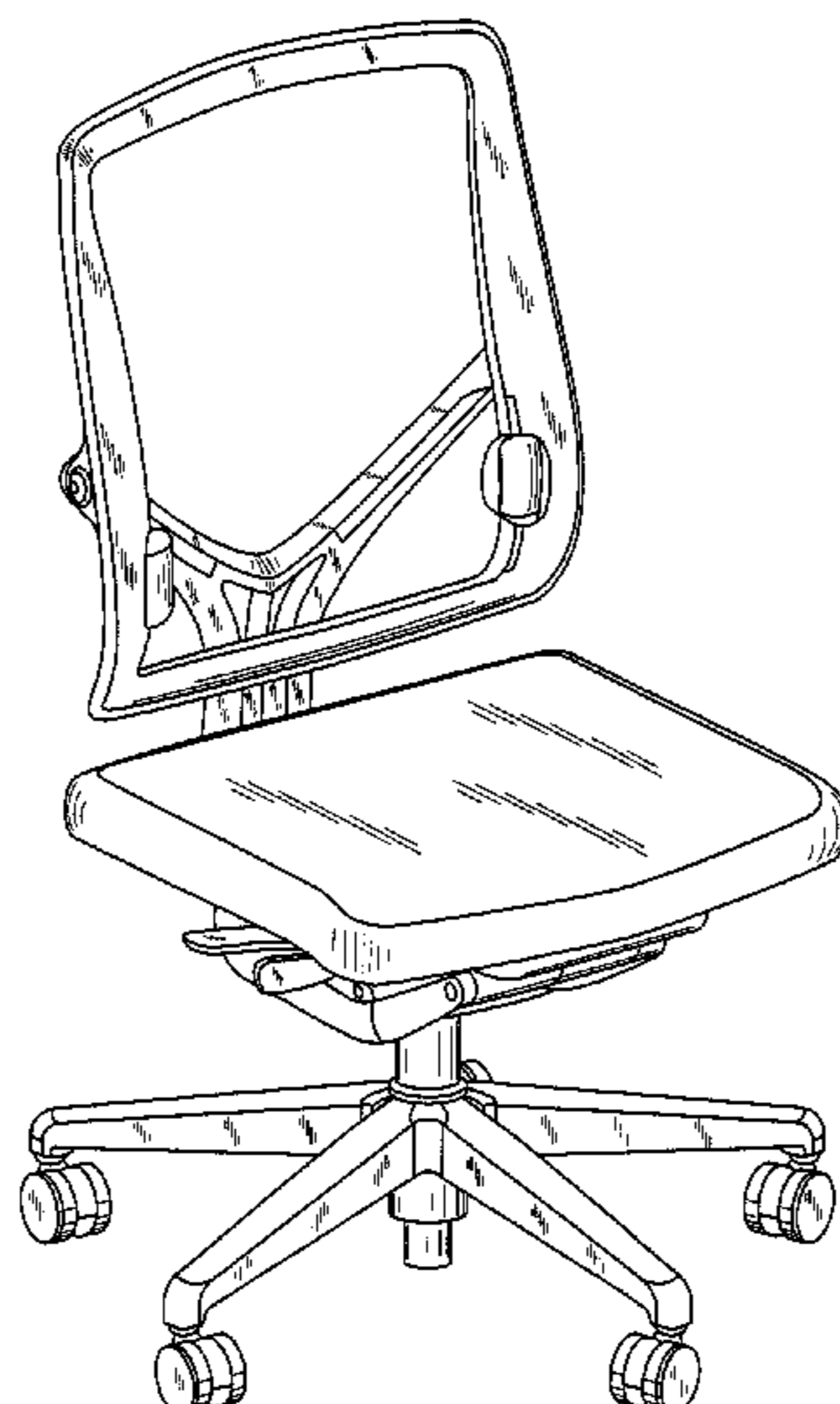
(57) **CLAIM**

The ornamental design for a chair, as shown and described.

DESCRIPTION

FIG. 1 is a perspective view of a chair embodying our design;
FIG. 2 is a front view of a chair embodying our design;
FIG. 3 is a left side view of a chair embodying our design;
FIG. 4 is a rear view of a chair embodying our design;
FIG. 5 is a right side view of a chair embodying our design;
FIG. 6 is a top view of a chair embodying our design; and,
FIG. 7 is a bottom view of a chair embodying our design.

1 Claim, 7 Drawing Sheets



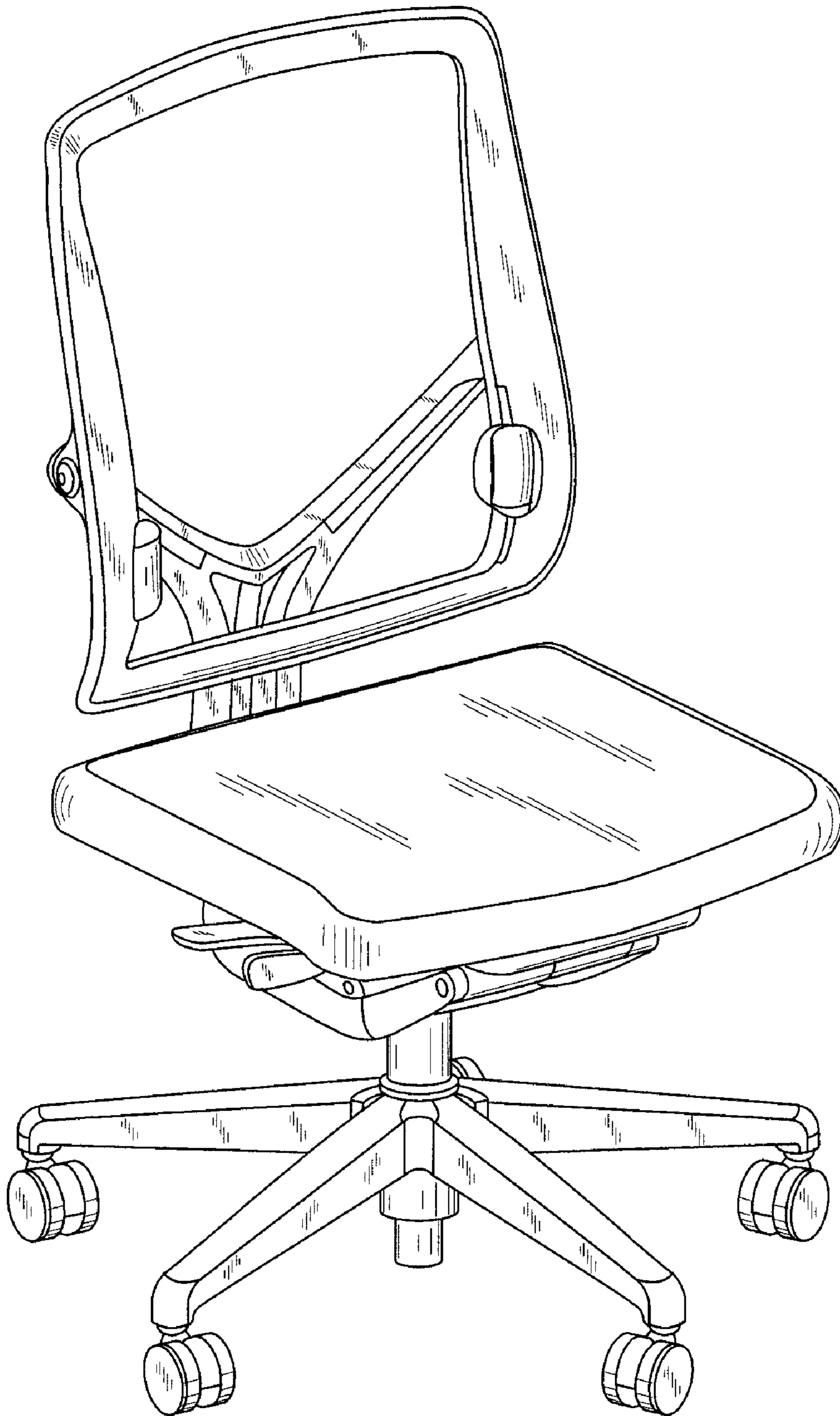


FIG. 1

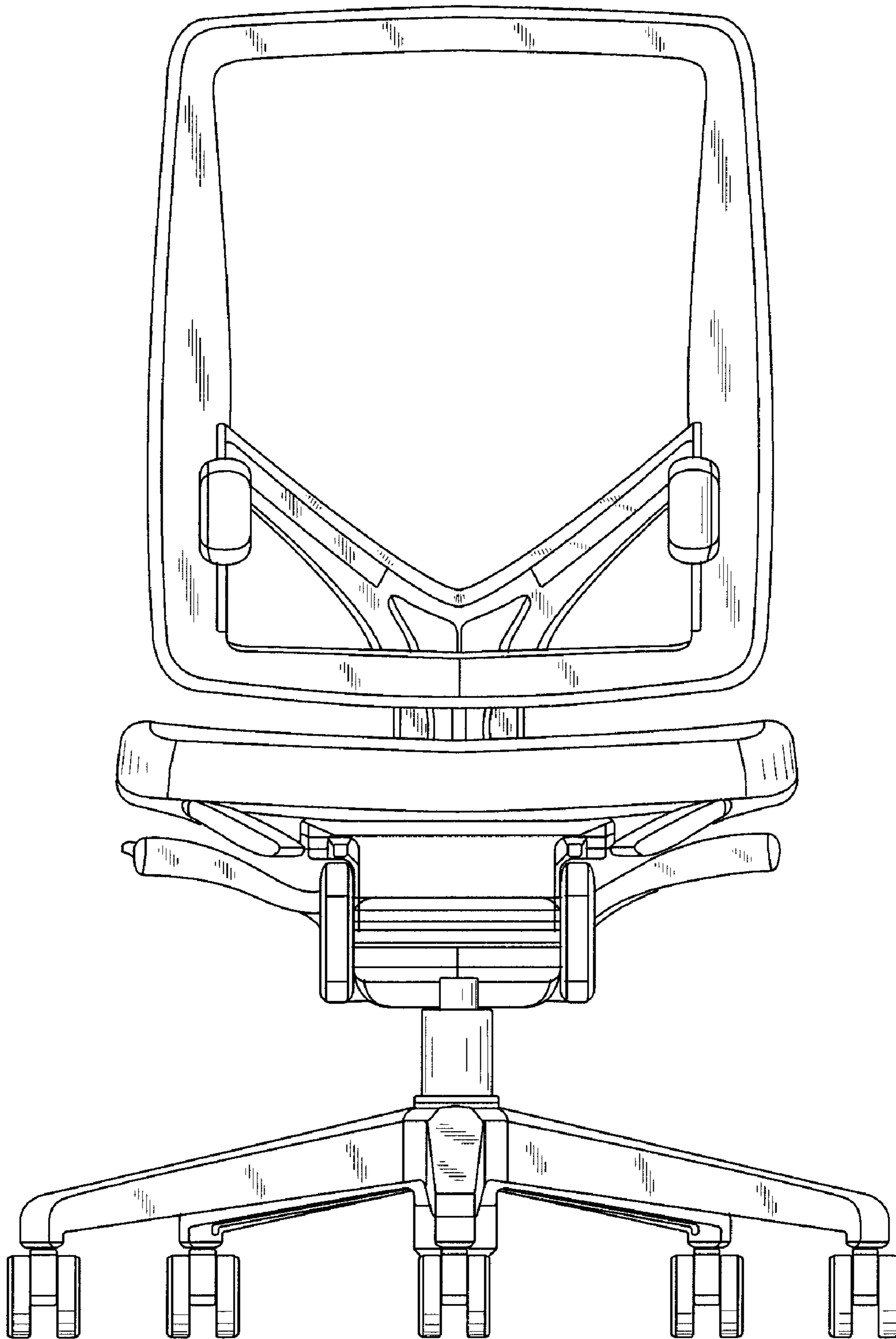


FIG. 2

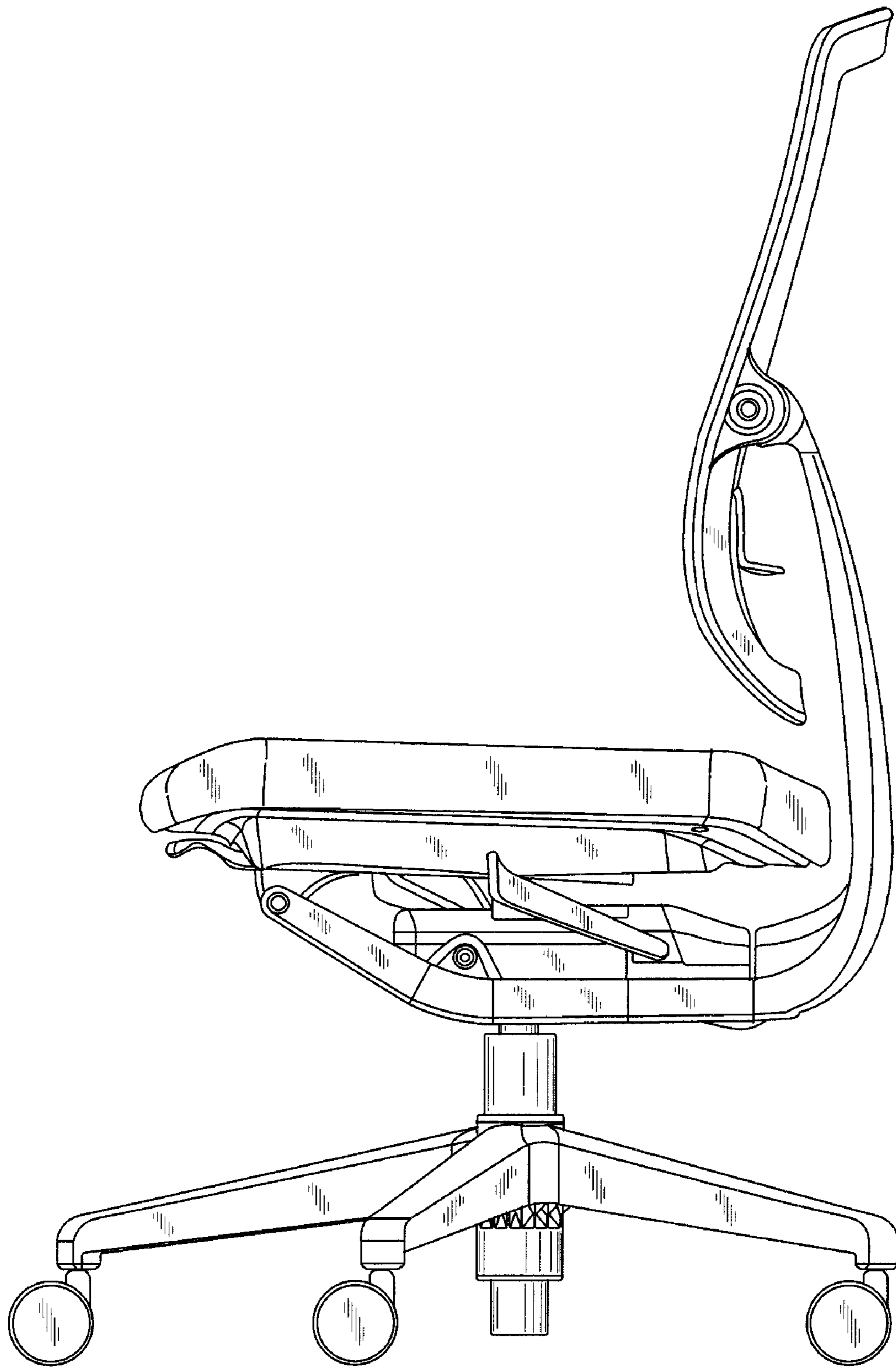


FIG. 3

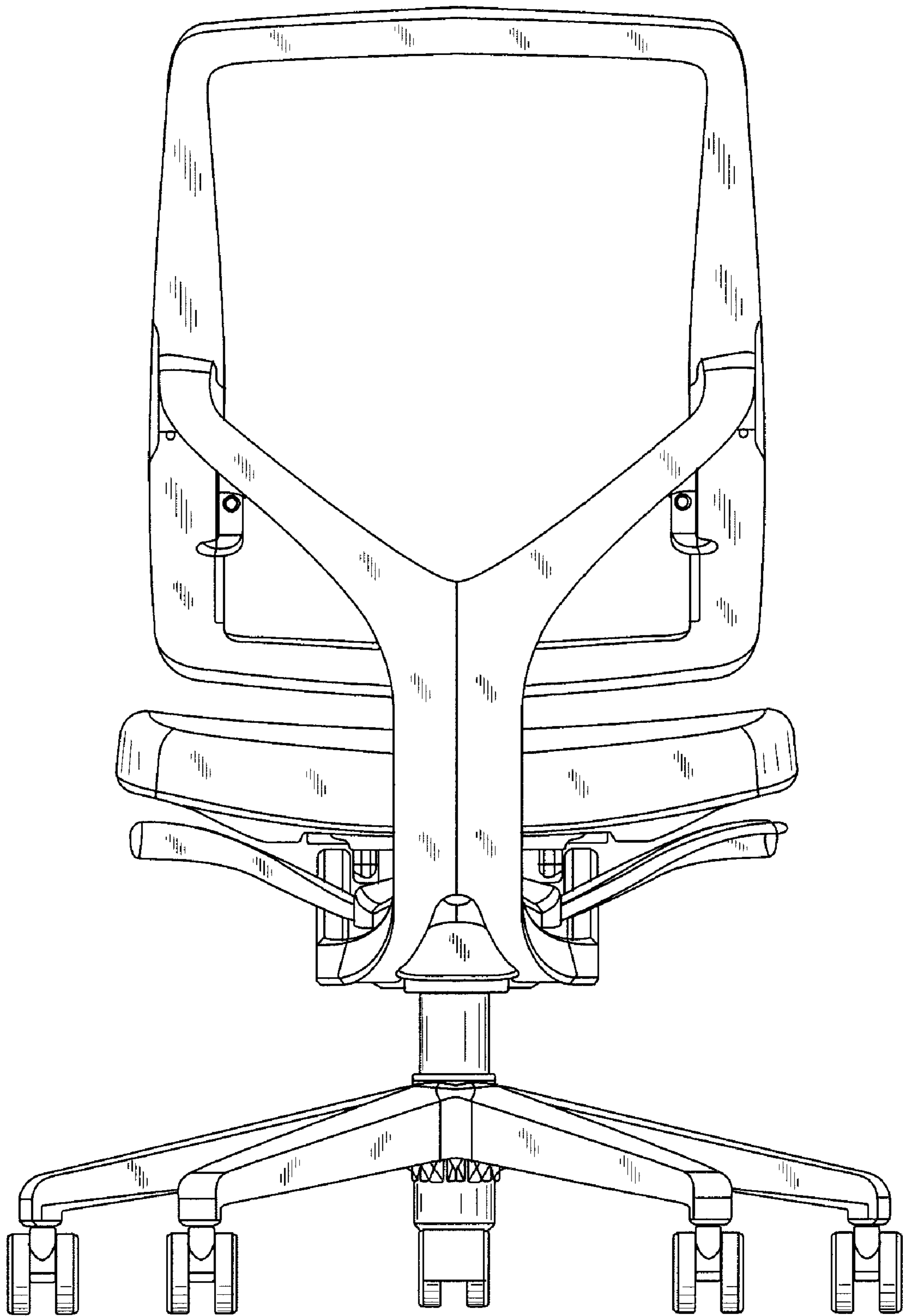


FIG. 4

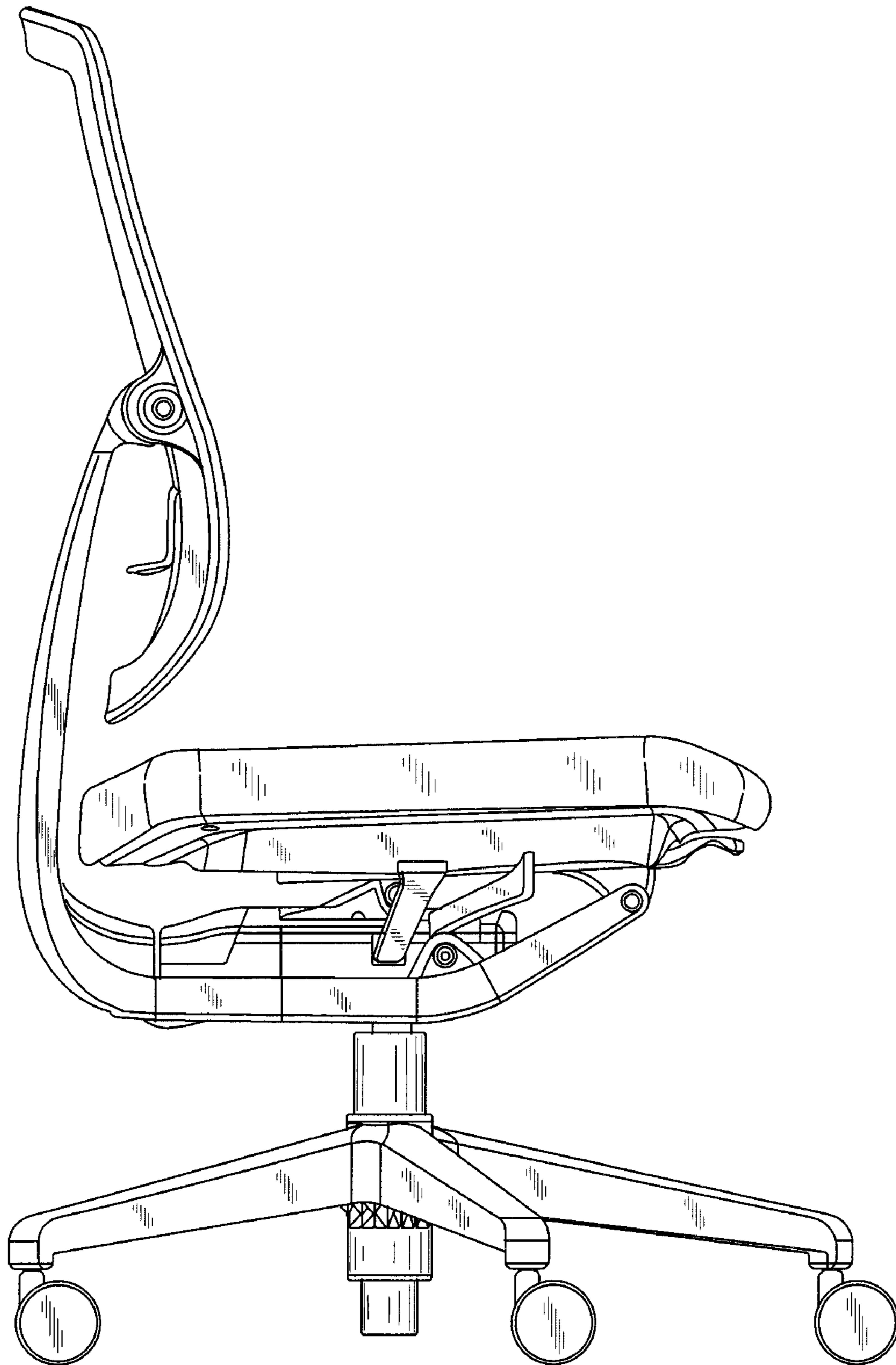


FIG. 5

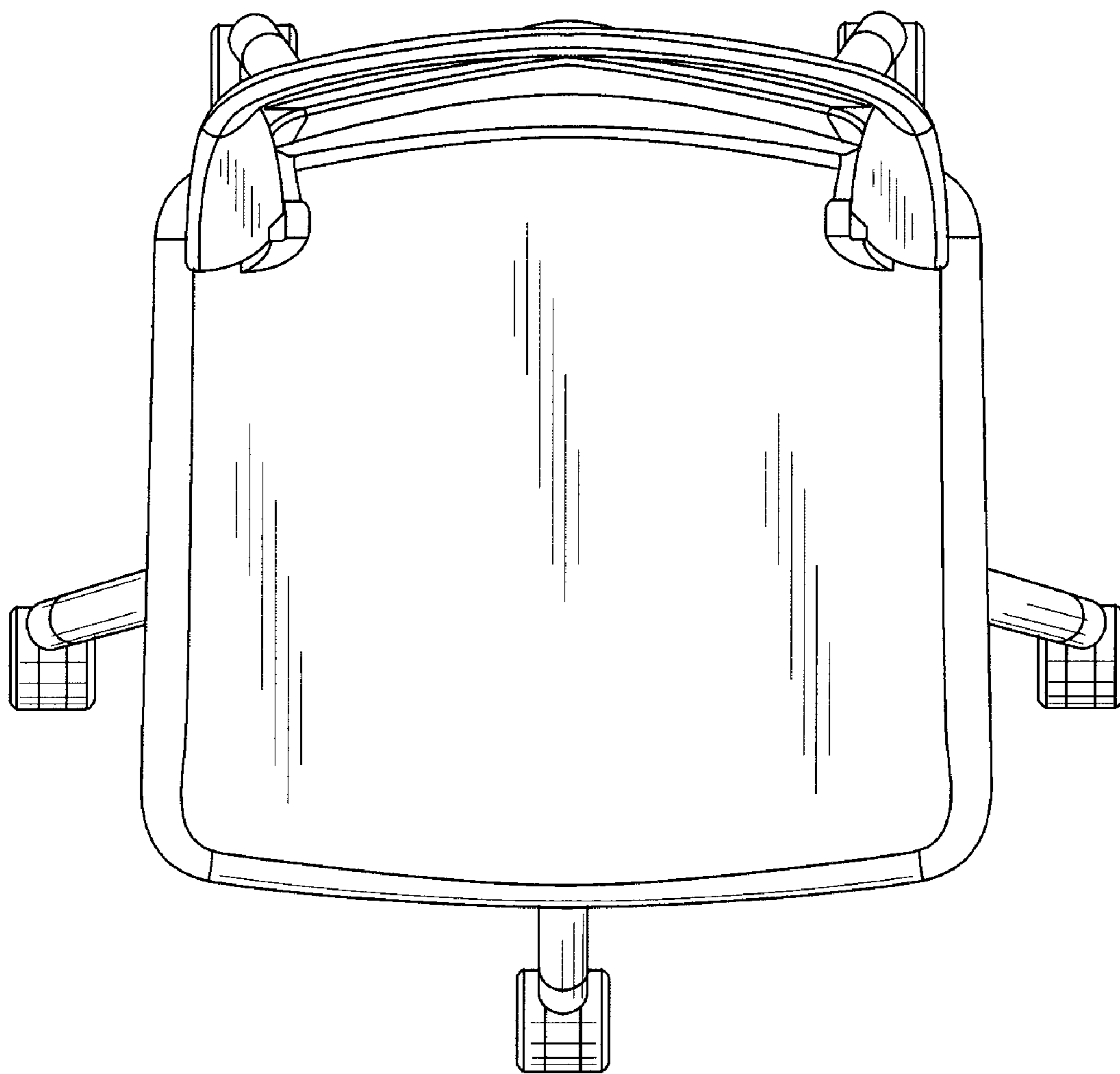


FIG. 6

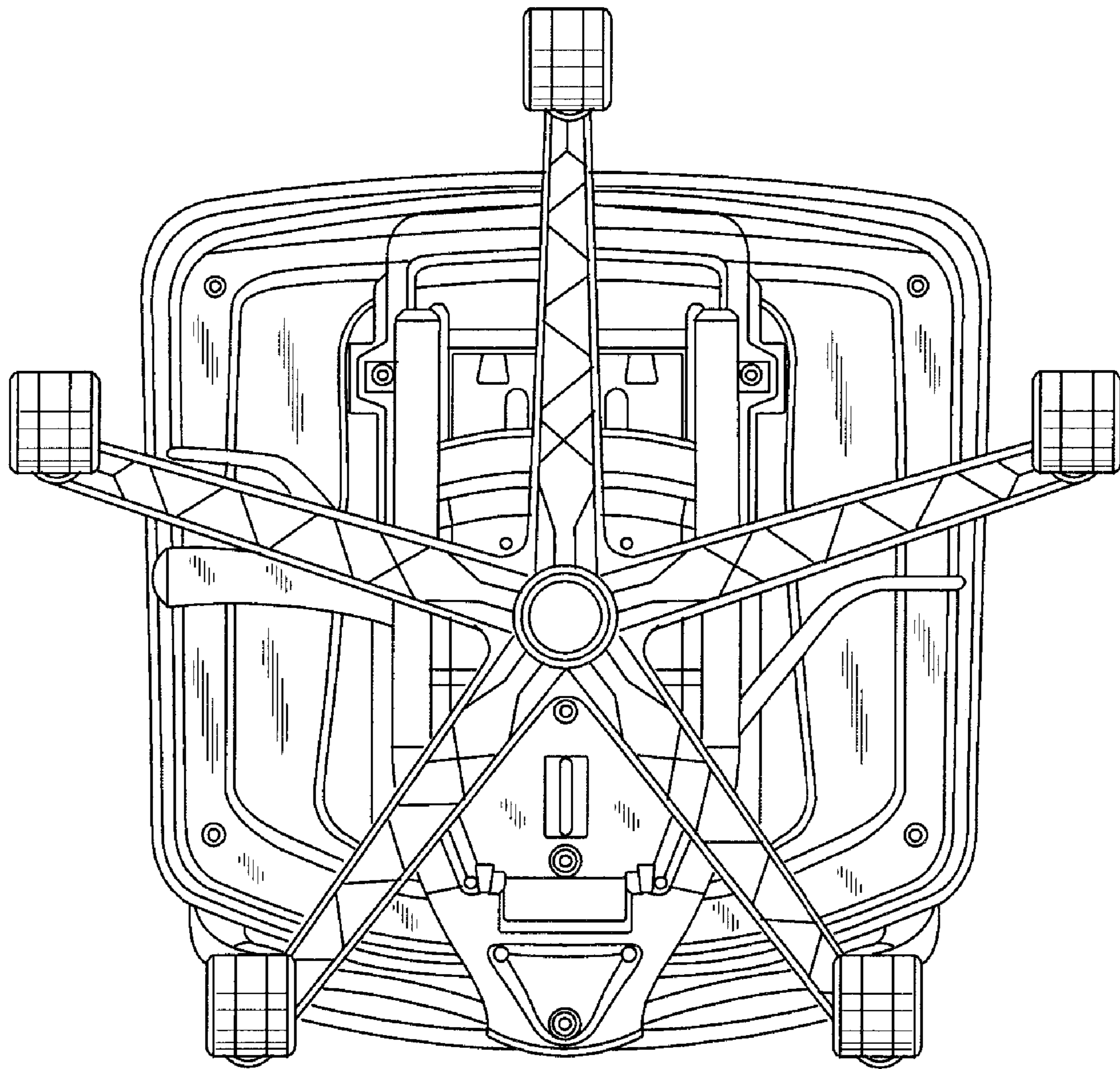


FIG. 7