



US00D558993S

(12) **United States Design Patent**
Saint-Jalmes et al.

(10) **Patent No.:** **US D558,993 S**
(45) **Date of Patent:** **** Jan. 8, 2008**

(54) **MODULAR FURNITURE SET FOR SITTING AND LYING**

6,412,870 B1 * 7/2002 Higgins et al. 297/342
D510,816 S * 10/2005 Lee D6/356

(75) Inventors: **Bruno Saint-Jalmes**, Toulouse (FR);
André Rezag, Toulouse (FR); **Jason Zaneboni**, Toulouse (FR)

* cited by examiner

Primary Examiner—Robert M. Spear

Assistant Examiner—Katrina A Kile

(73) Assignee: **Airbus**, Blagnac (FR)

(74) *Attorney, Agent, or Firm*—Oblon, Spivak, McClelland, Maier & Neustadt, P.C.

(**) Term: **14 Years**

(57) **CLAIM**

(21) Appl. No.: **29/222,654**

The ornamental design for a modular furniture set for sitting and lying, as shown and described.

(22) Filed: **Feb. 3, 2005**

(30) **Foreign Application Priority Data**

DESCRIPTION

Aug. 3, 2004 (EM) 000215215

FIG. 1 is a top, front and left perspective view a modular furniture set for sitting and lying, showing our design, with furniture in a flat configuration;

(51) **LOC (8) Cl.** **06-01**

(52) **U.S. Cl.** **D6/357; D6/356**

FIG. 2 is a top, front and left perspective view thereof, with the furniture in the flat configuration and with armrests in an extended configuration;

(58) **Field of Classification Search** D6/356,

D6/334–336, 360, 361, 367, 368, 377, 381,

D6/500–502; 297/170, 172, 174, 232, 244,

297/342, 452.14, 452.34; D12/195, 345

See application file for complete search history.

FIG. 3 is a top, front and left perspective view thereof, with the furniture in a folding configuration;

FIG. 4 is a top, front and left perspective view thereof, with the furniture in a folded configuration;

(56) **References Cited**

U.S. PATENT DOCUMENTS

D225,193 S * 11/1972 Barecki D6/356

D405,275 S * 2/1999 Dryburgh et al. D6/356

6,059,364 A * 5/2000 Dryburgh et al. 297/354.13

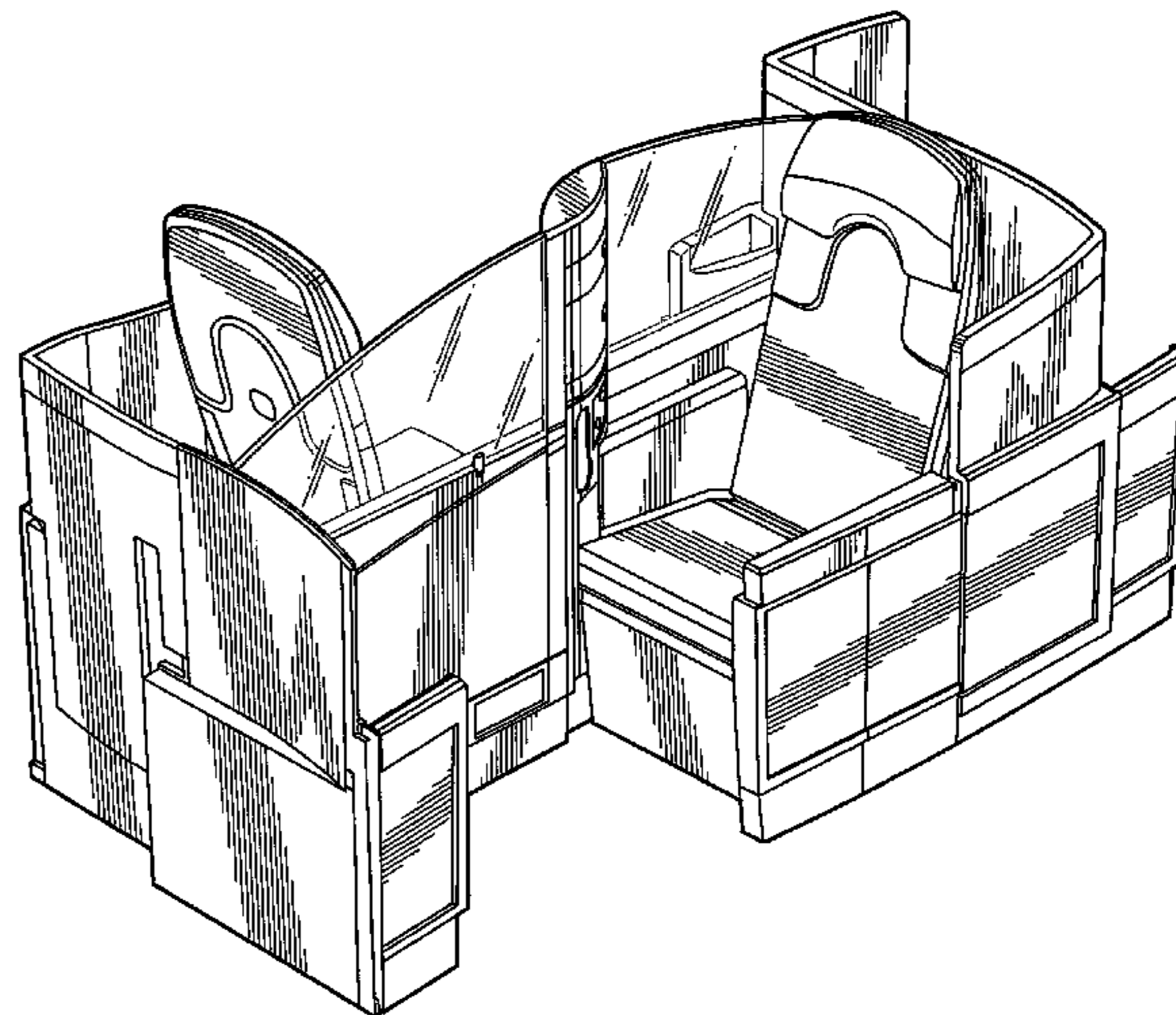
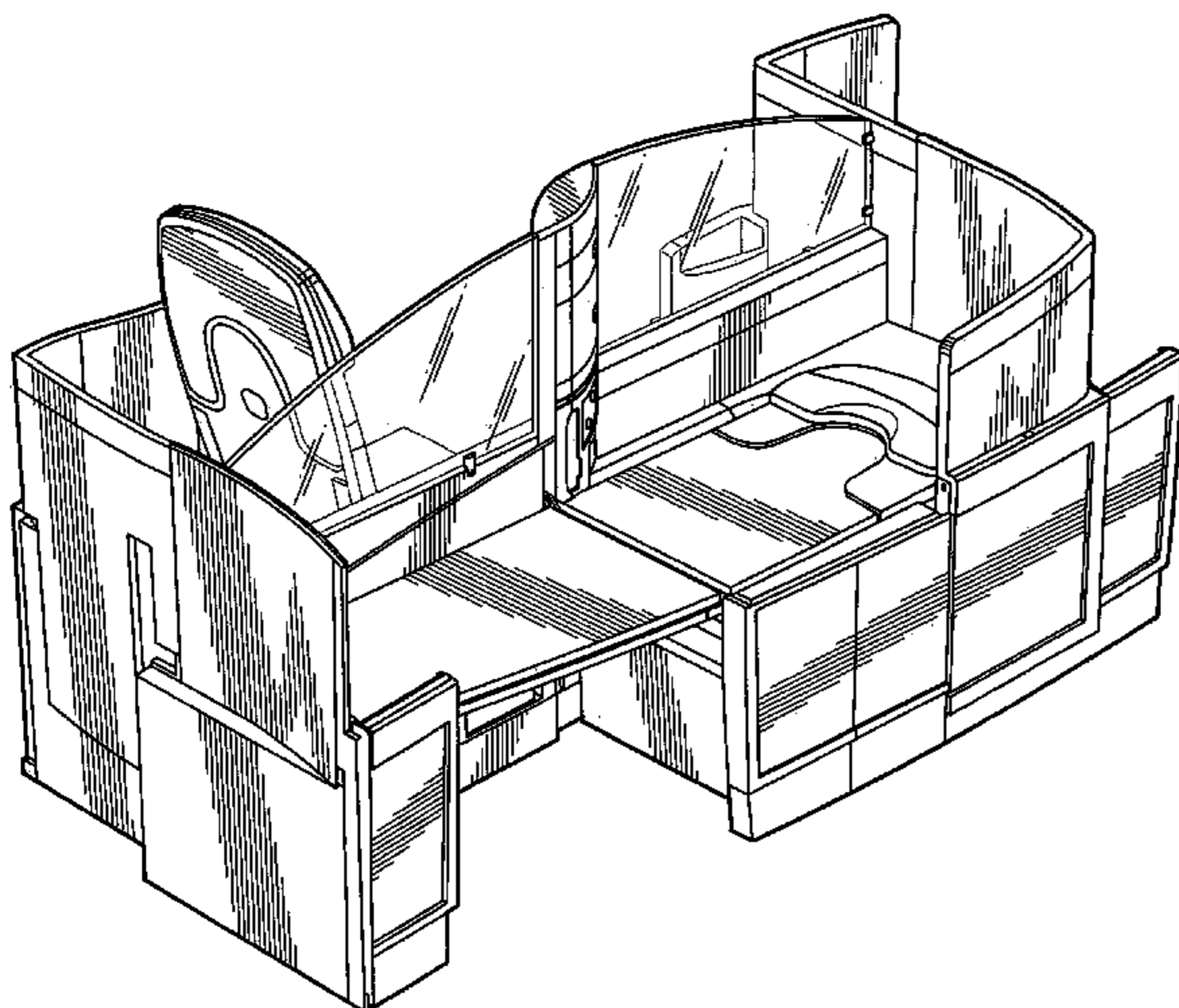
D439,063 S * 3/2001 Round et al. D6/356

D439,425 S * 3/2001 Park et al. D6/356

FIG. 5 is a top, front and left perspective view thereof, with the furniture in an extending configuration; and,

FIG. 6 is a top, front and left perspective view thereof, with the furniture in an upright configuration.

1 Claim, 6 Drawing Sheets



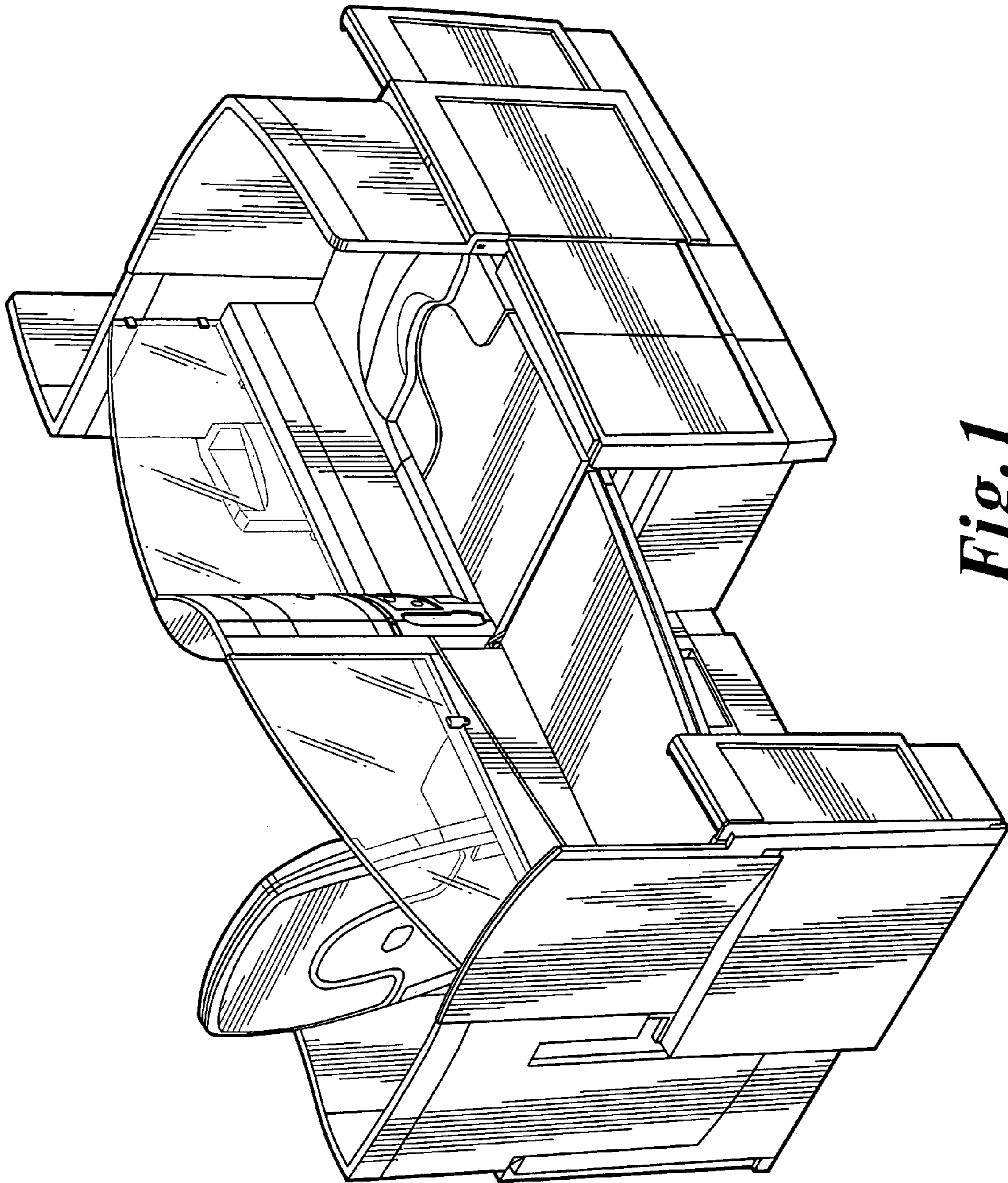


Fig. 1

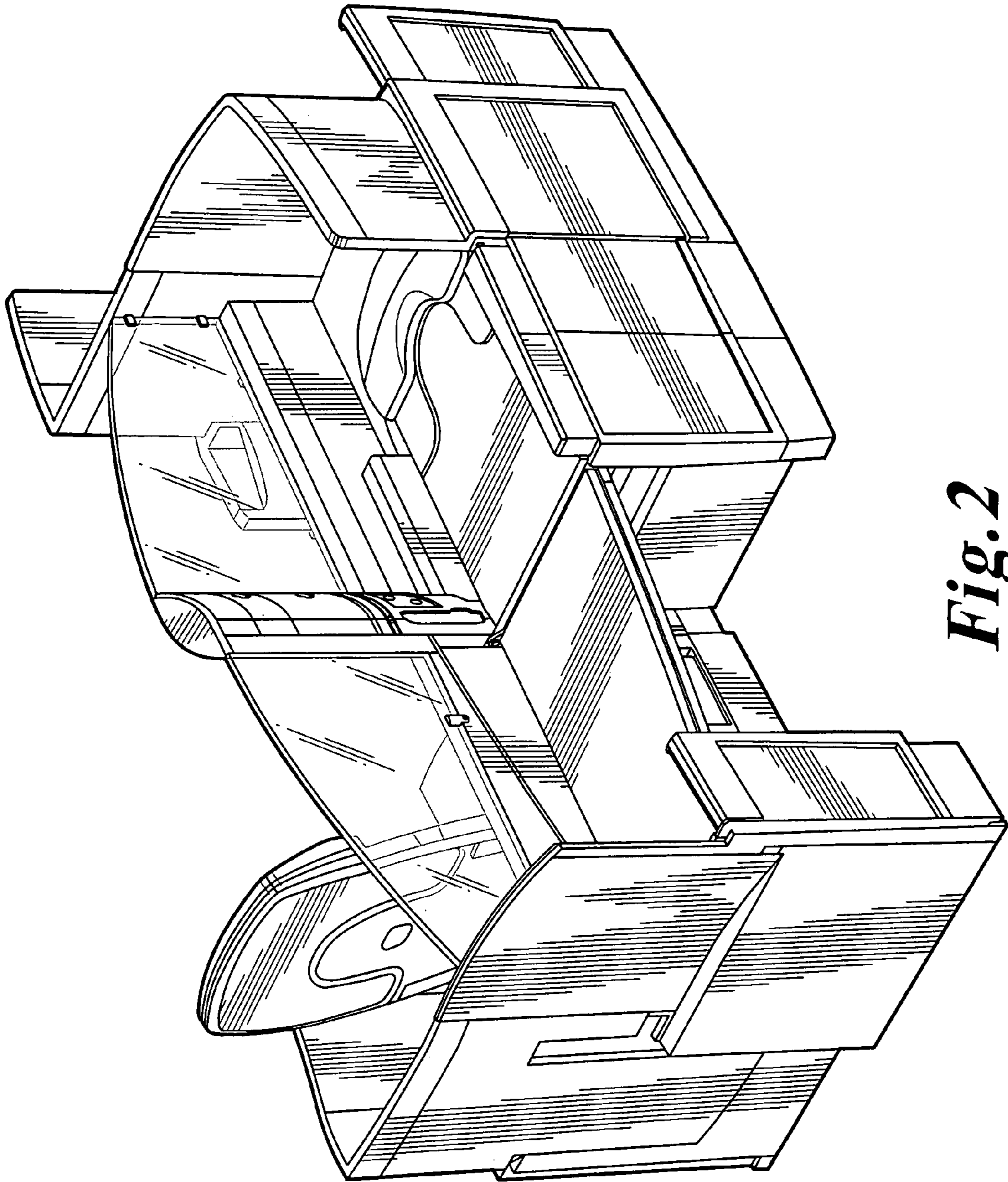


Fig. 2

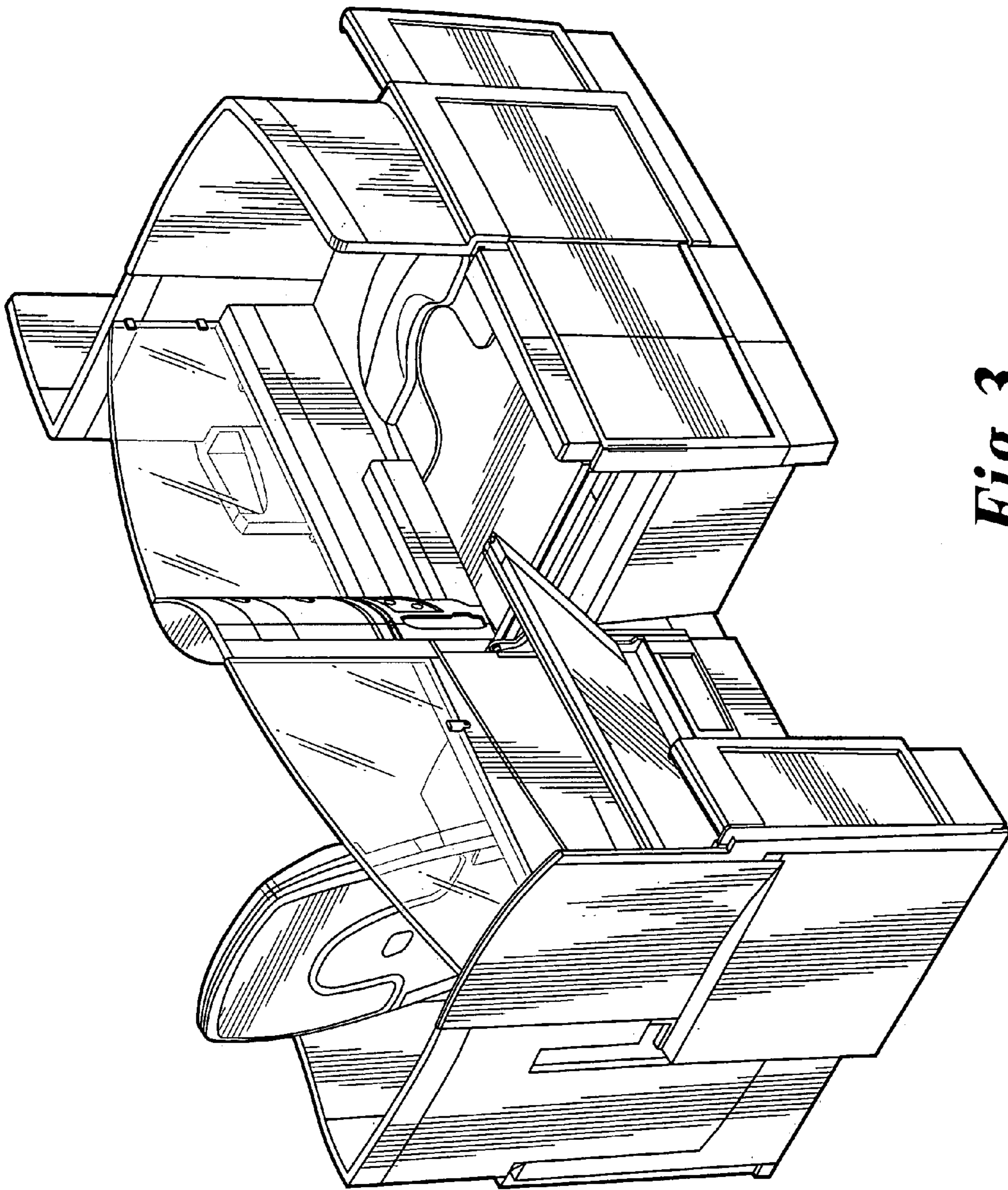


Fig. 3

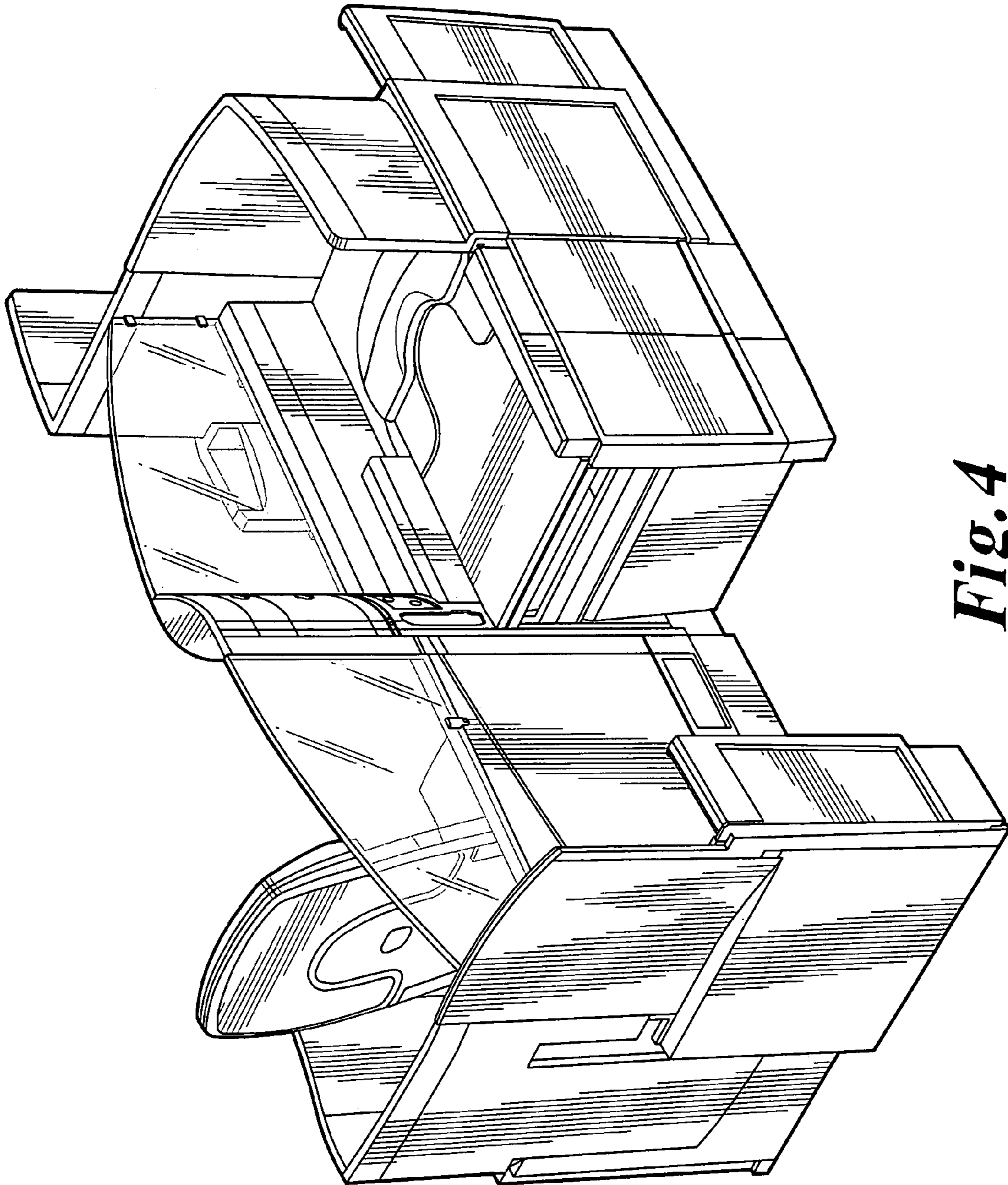


Fig. 4

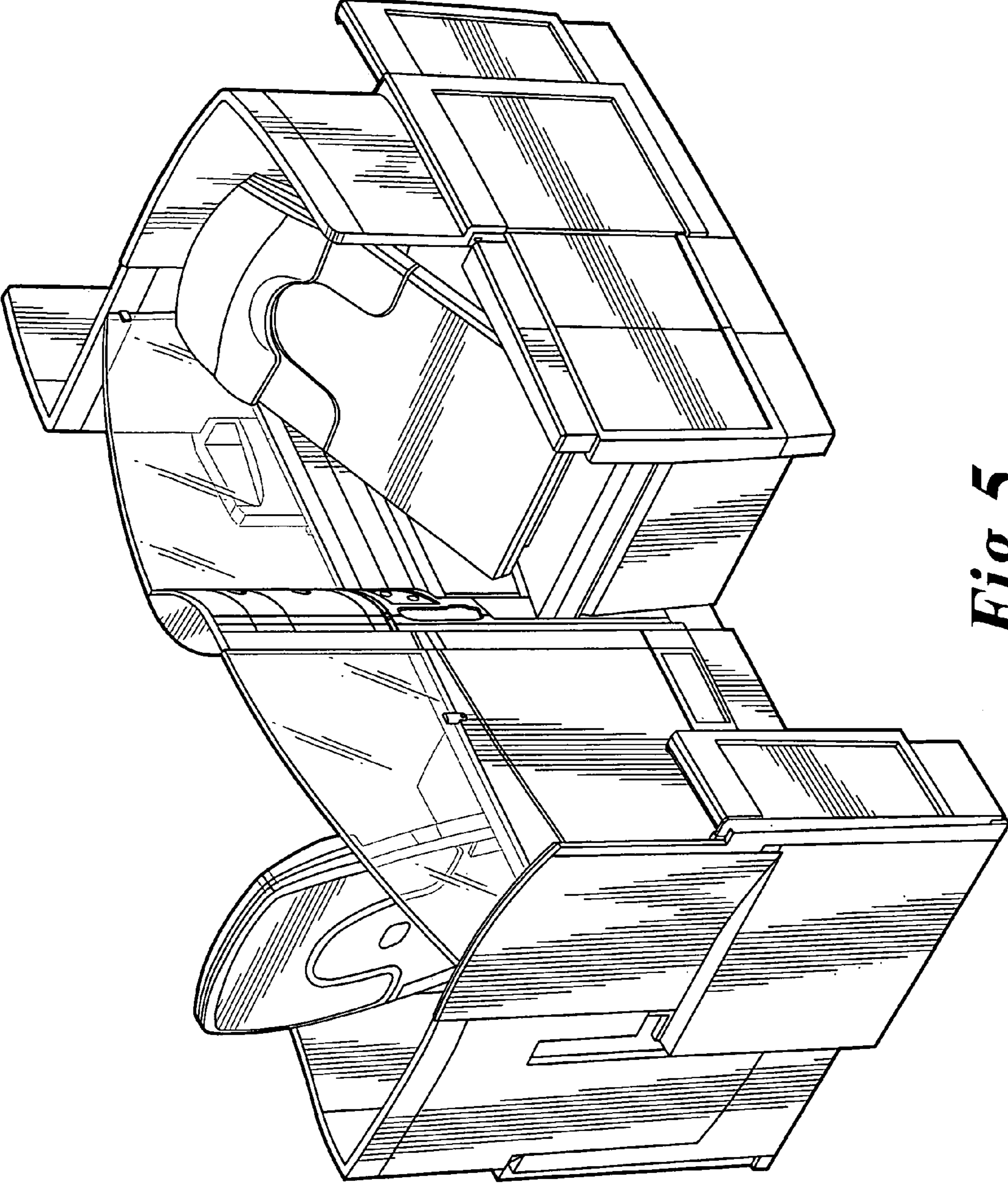


Fig. 5

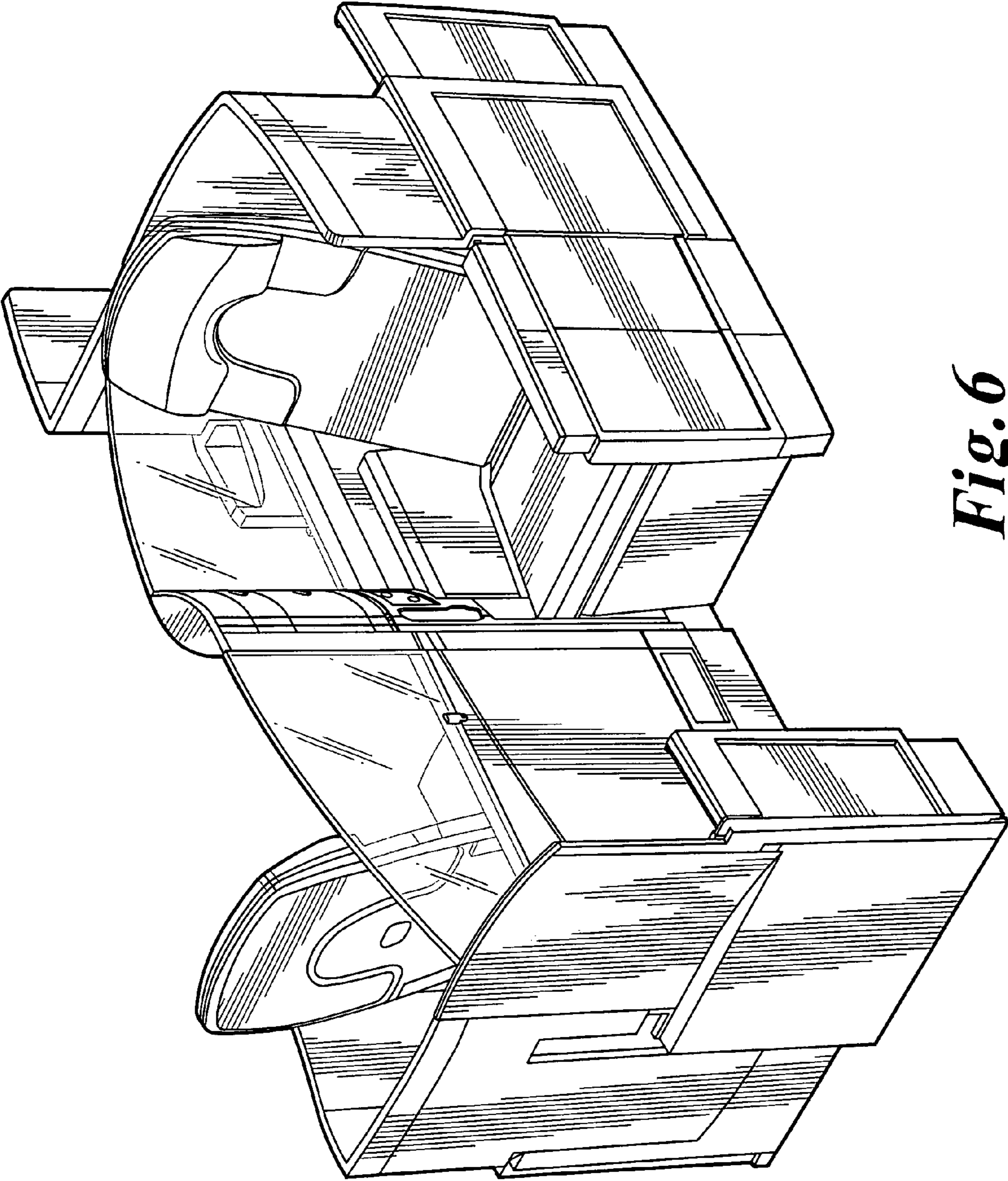


Fig. 6

UNITED STATES PATENT AND TRADEMARK OFFICE
CERTIFICATE OF CORRECTION

PATENT NO. : Des. 558,993 S
APPLICATION NO. : 29/222654
DATED : January 8, 2008
INVENTOR(S) : Bruno Saint-Jalmes et al.

Page 1 of 1

It is certified that error appears in the above-identified patent and that said Letters Patent is hereby corrected as shown below:

On the title page, Item 73, the city is incorrect. Item 73 should read:
--Blagnac--.

Signed and Sealed this

Twenty-third Day of June, 2009



JOHN DOLL
Acting Director of the United States Patent and Trademark Office