



US00D558988S

(12) **United States Design Patent**
Gibson et al.

(10) **Patent No.:** **US D558,988 S**
(45) **Date of Patent:** **** Jan. 8, 2008**

(54) **MIRROR ASSEMBLY**

(75) Inventors: **Robert Gibson**, Charlotte, NC (US);
William Riley, Richmond, VA (US);
Michael Defenbaugh, Marietta, GA (US)

(73) Assignee: **Goody Products, Inc.**, Freeport, IL (US)

(**) Term: **14 Years**

(21) Appl. No.: **29/249,765**

(22) Filed: **Oct. 20, 2006**

(51) **LOC (8) Cl.** **06-04**

(52) **U.S. Cl.** **D6/309**

(58) **Field of Classification Search** D6/300-314,
D6/469; D26/56; D28/78, 77, 64.3; 40/700,
40/711, 720, 714-716, 735, 739, 745, 765,
40/790, 798; 359/838, 871, 879; 248/466,
248/469, 472; D19/65, 42; D10/15, 30;
D17/99; 24/459

See application file for complete search history.

(56) **References Cited**

U.S. PATENT DOCUMENTS

3,781,093	A	12/1973	Grabijas	350/288
D270,244	S *	8/1983	McCormick	D10/30
D290,371	S *	6/1987	Slayer et al.	D17/99
4,856,888	A	8/1989	Wahl	350/639
D351,797	S *	10/1994	White	D10/15
D409,003	S *	5/1999	Scavini	D6/312
D423,723	S *	4/2000	Metcalf	D28/77
6,099,133	A	8/2000	Wright	359/880
D442,371	S *	5/2001	Eberts	D6/312
6,295,703	B1 *	10/2001	Adams et al.	24/459
D454,157	S *	3/2002	Shamitoff	D19/42
D454,701	S *	3/2002	Eric	D6/308
D470,665	S *	2/2003	Harris et al.	D6/312
6,840,639	B2	1/2005	Zadro	359/855
6,854,852	B1	2/2005	Zadro	359/840

* cited by examiner

Primary Examiner—Caron D. Veynar

Assistant Examiner—Sydney R. Buffalow

(74) *Attorney, Agent, or Firm*—Marshall, Gerstein & Borun LLP

(57) **CLAIM**

The ornamental design for a “mirror assembly,” as shown and described.

DESCRIPTION

FIG. 1 is a front left perspective view of a mirror assembly showing our new design, wherein the mirror is located on the front of the mirror assembly and is mounted in a mirror housing;

FIG. 2 is a front view thereof;

FIG. 3 is a rear view thereof;

FIG. 4 is a plan view thereof;

FIG. 5 is a bottom view thereof;

FIG. 6 is a right side elevational view thereof, with the left side being a mirror image of the right side;

FIG. 7 is a front left perspective view of a mirror assembly of FIG. 1 oriented in an extended position;

FIG. 8 is a front view thereof;

FIG. 9 is a rear view thereof;

FIG. 10 is a plan view thereof;

FIG. 11 is a bottom view thereof;

FIG. 12 is a right side elevational view thereof;

FIG. 13 is a left side elevational view thereof;

FIG. 14 is a front left perspective view of a mirror assembly of FIG. 1 oriented in an extended position with the mirror tilted upward thereof;

FIG. 15 is a front view thereof;

FIG. 16 is a rear view thereof;

FIG. 17 is a plan view thereof;

FIG. 18 is a bottom view thereof;

FIG. 19 is a left side elevational view thereof;

FIG. 20 is a right side elevational view thereof;

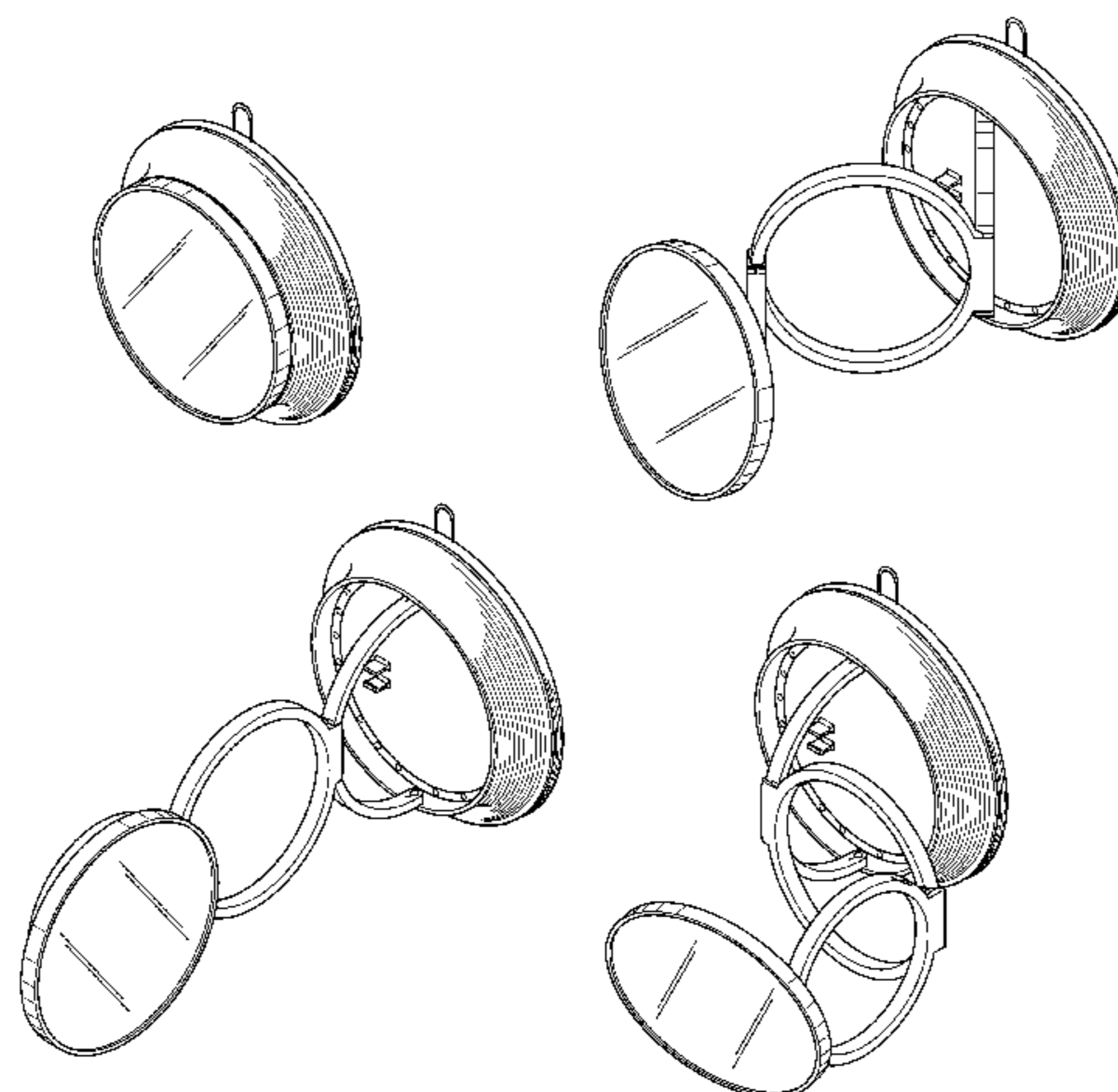


FIG. **21** is a front left perspective view of a mirror assembly of FIG. **1** oriented in an extended position with the mirror tilted downward;

FIG. **22** is a front view thereof;

FIG. **23** is a rear view thereof;

FIG. **24** is a plan view thereof;

FIG. **25** is a bottom view thereof;

FIG. **26** is a right side elevational view thereof;

FIG. **27** is a left side elevational view thereof;

FIG. **28** is a front view of the mirror and mirror housing of the mirror assembly of FIG. **1**, shown separately for clarity;

FIG. **29** is a rear view thereof;

FIG. **30** is a right side elevational view thereof;

FIG. **31** is a left side elevational view thereof;

FIG. **32** is a plan view thereof;

FIG. **33** is a bottom view thereof;

FIG. **34** is a rear view of the mirror, the mirror housing and a connecting bracket of the mirror assembly of FIG. **1**, shown separately for clarity;

FIG. **35** is a right side elevational view thereof;

FIG. **36** is a left side elevational view thereof;

FIG. **37** is a plan view thereof; and,

FIG. **38** is a bottom view thereof.

1 Claim, 23 Drawing Sheets

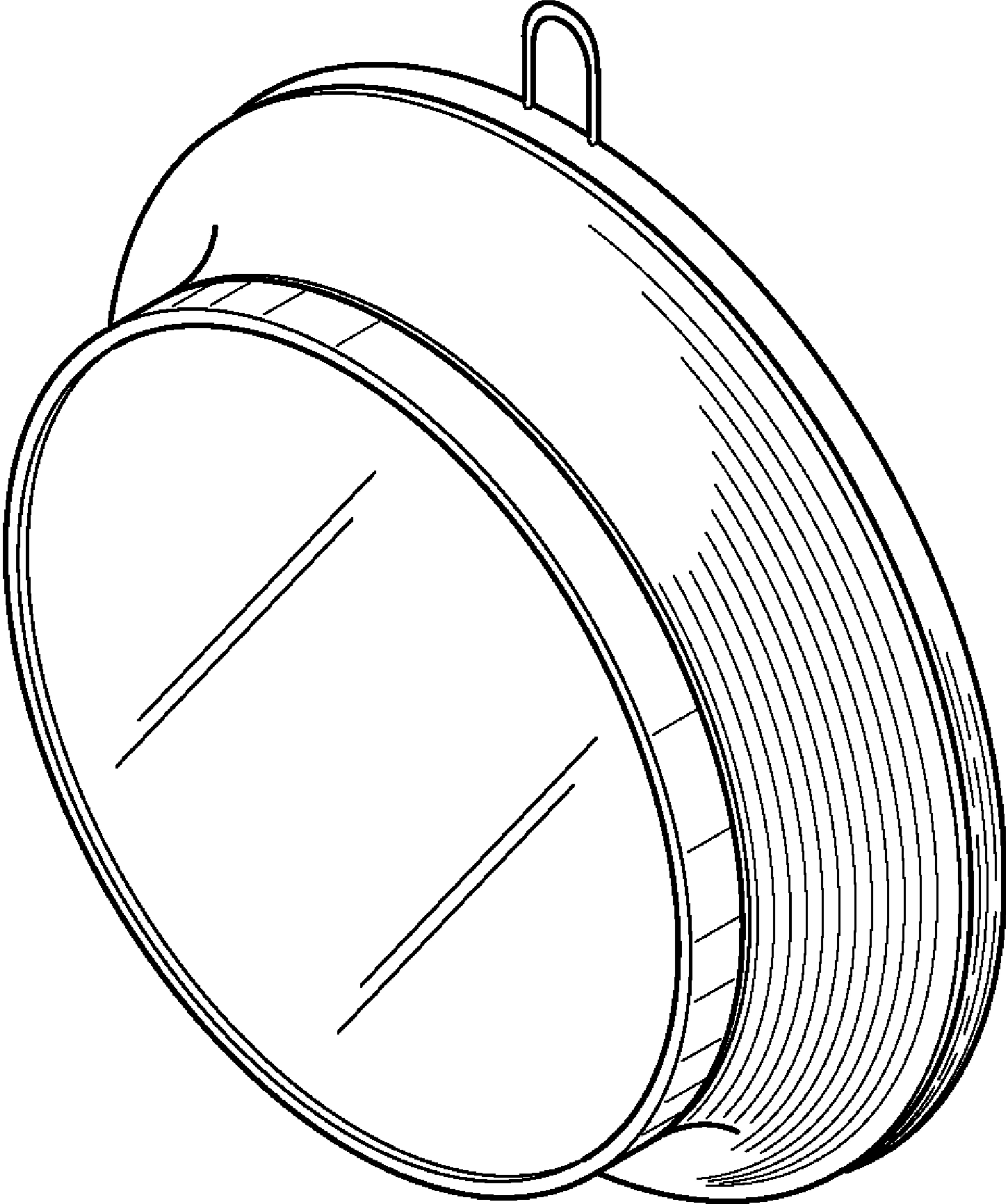


FIG. 1

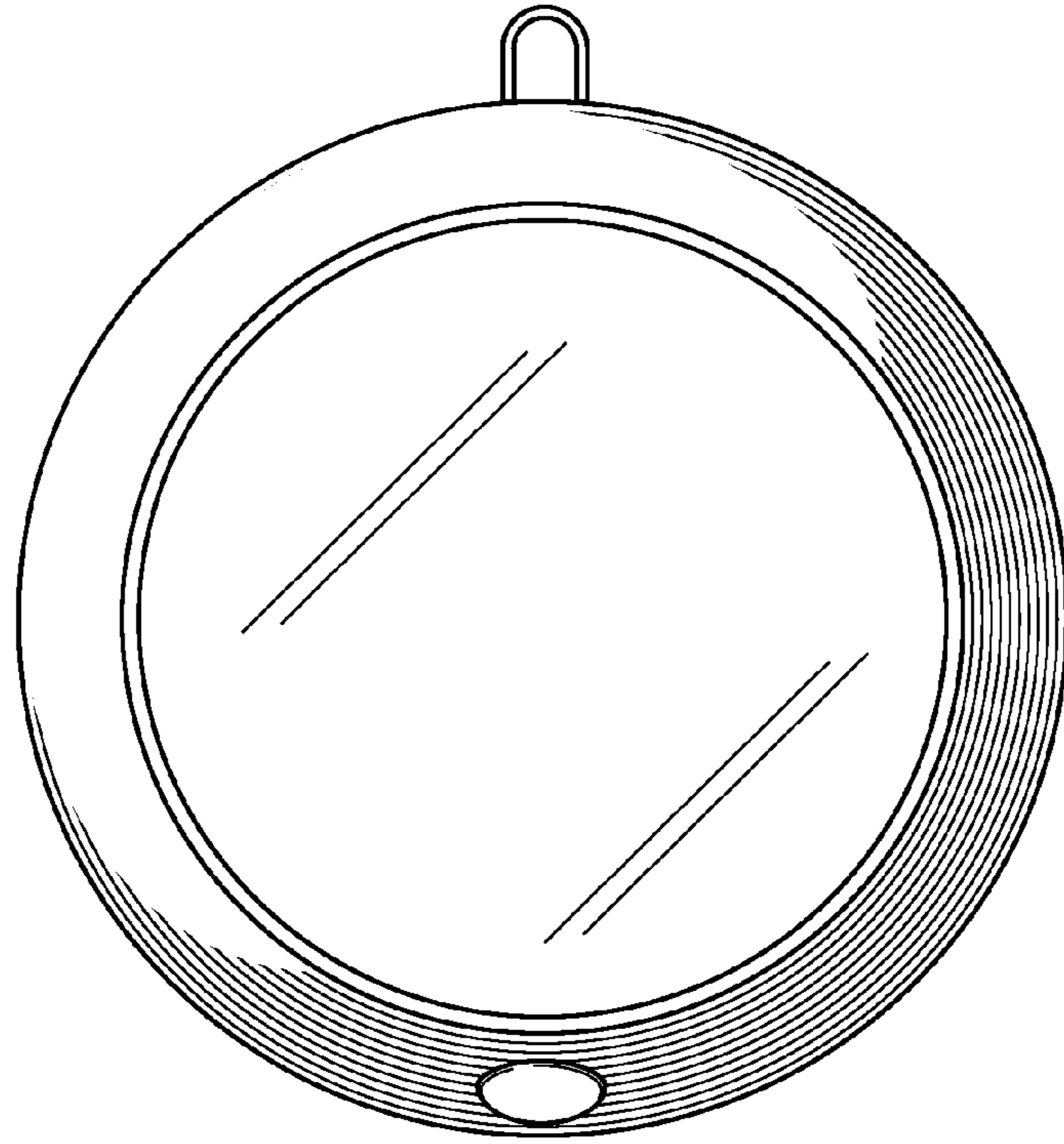


FIG. 2

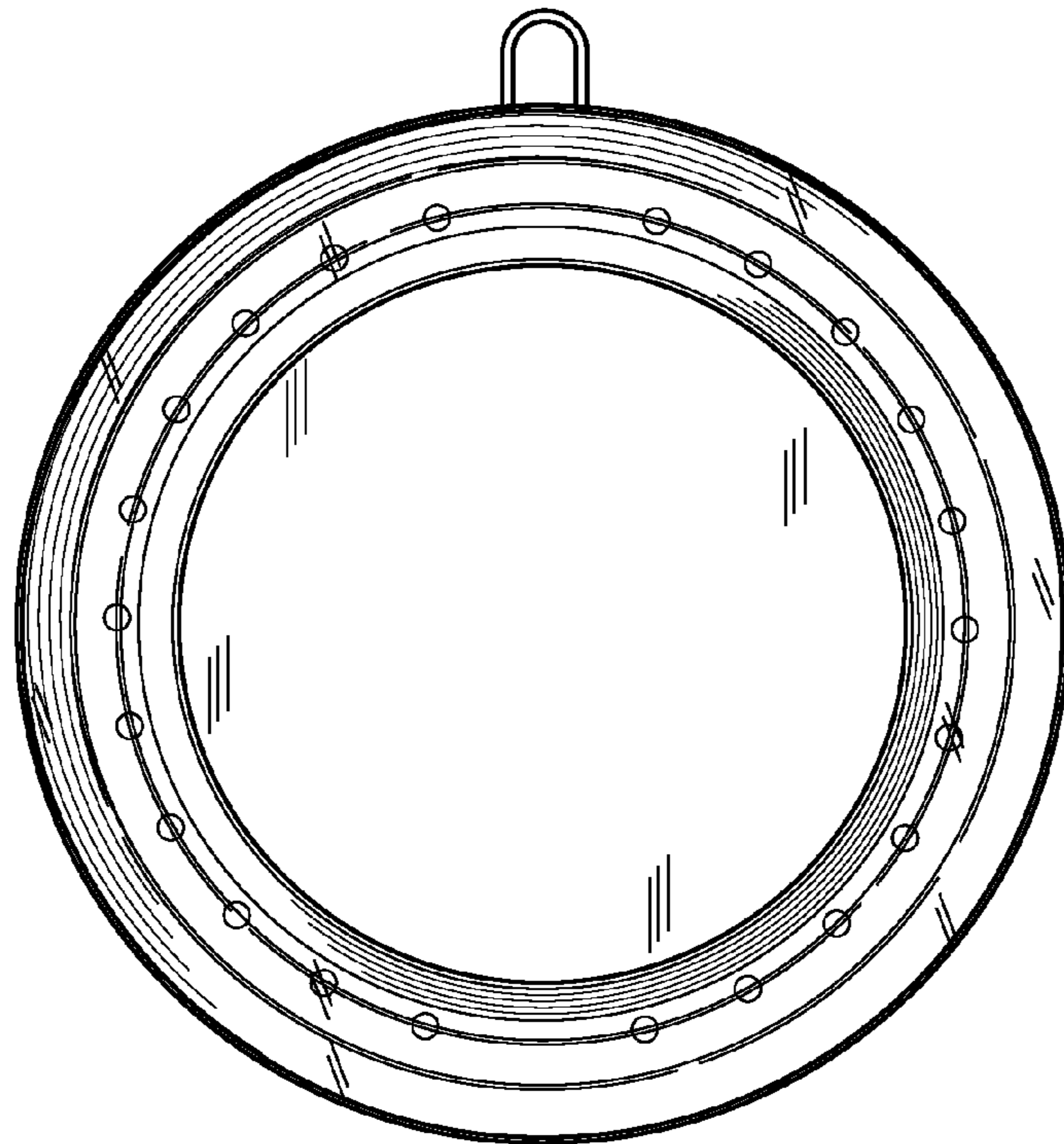


FIG. 3

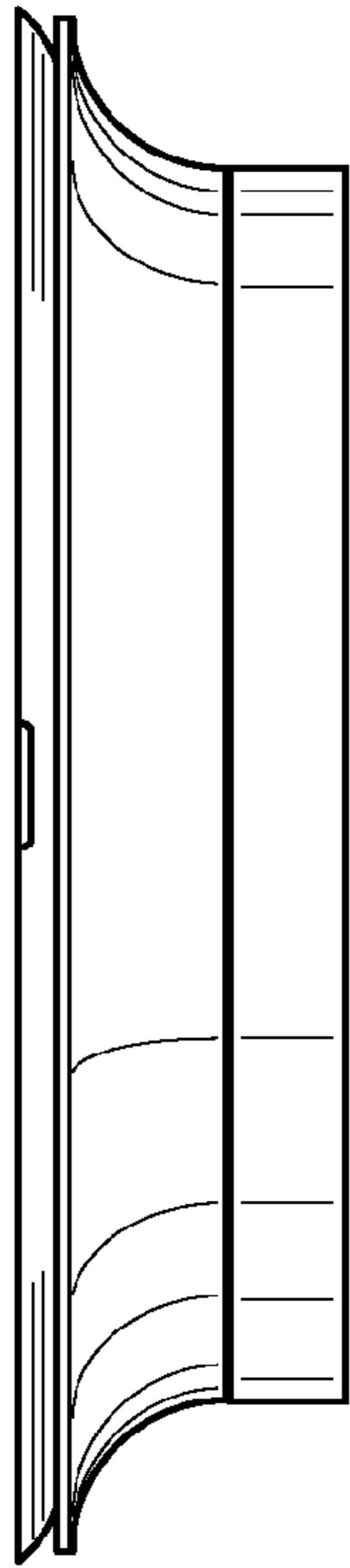


FIG. 4

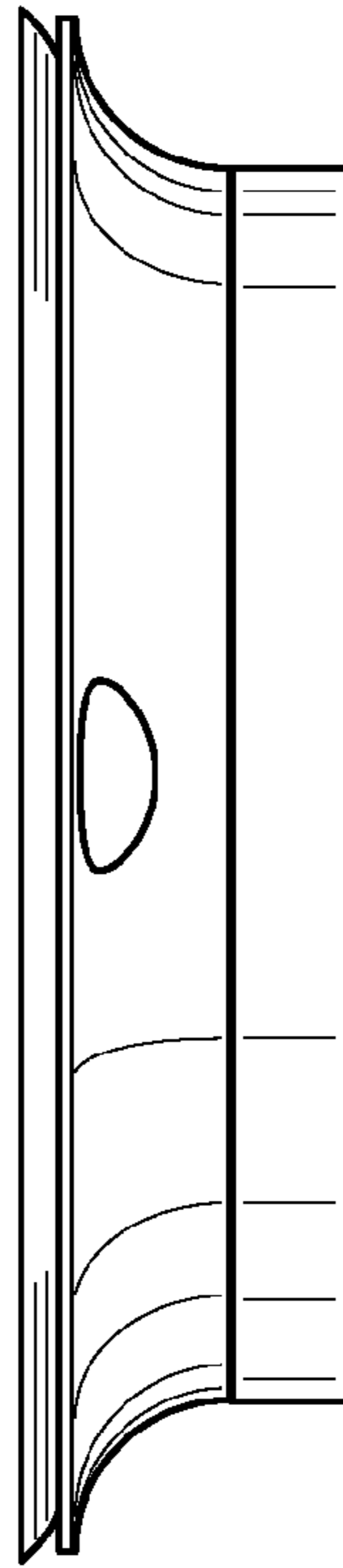


FIG. 5

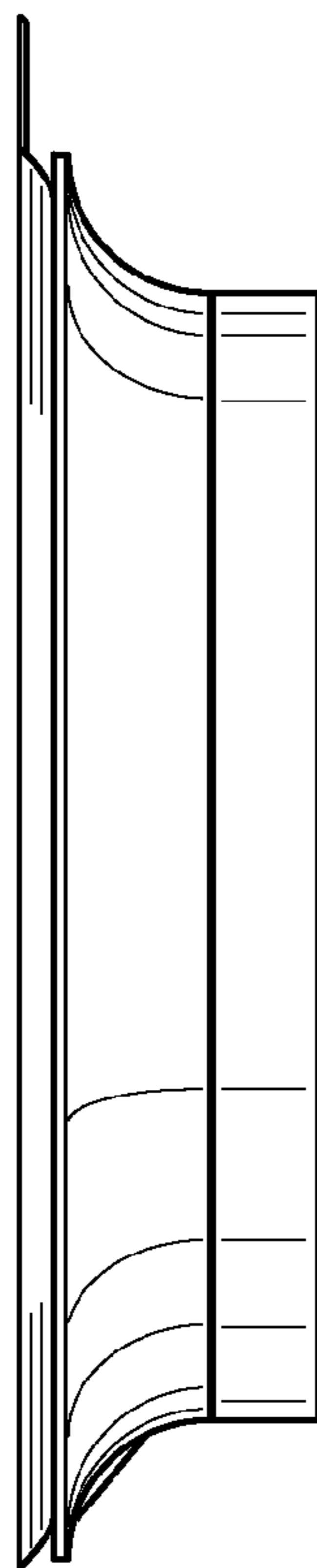


FIG. 6

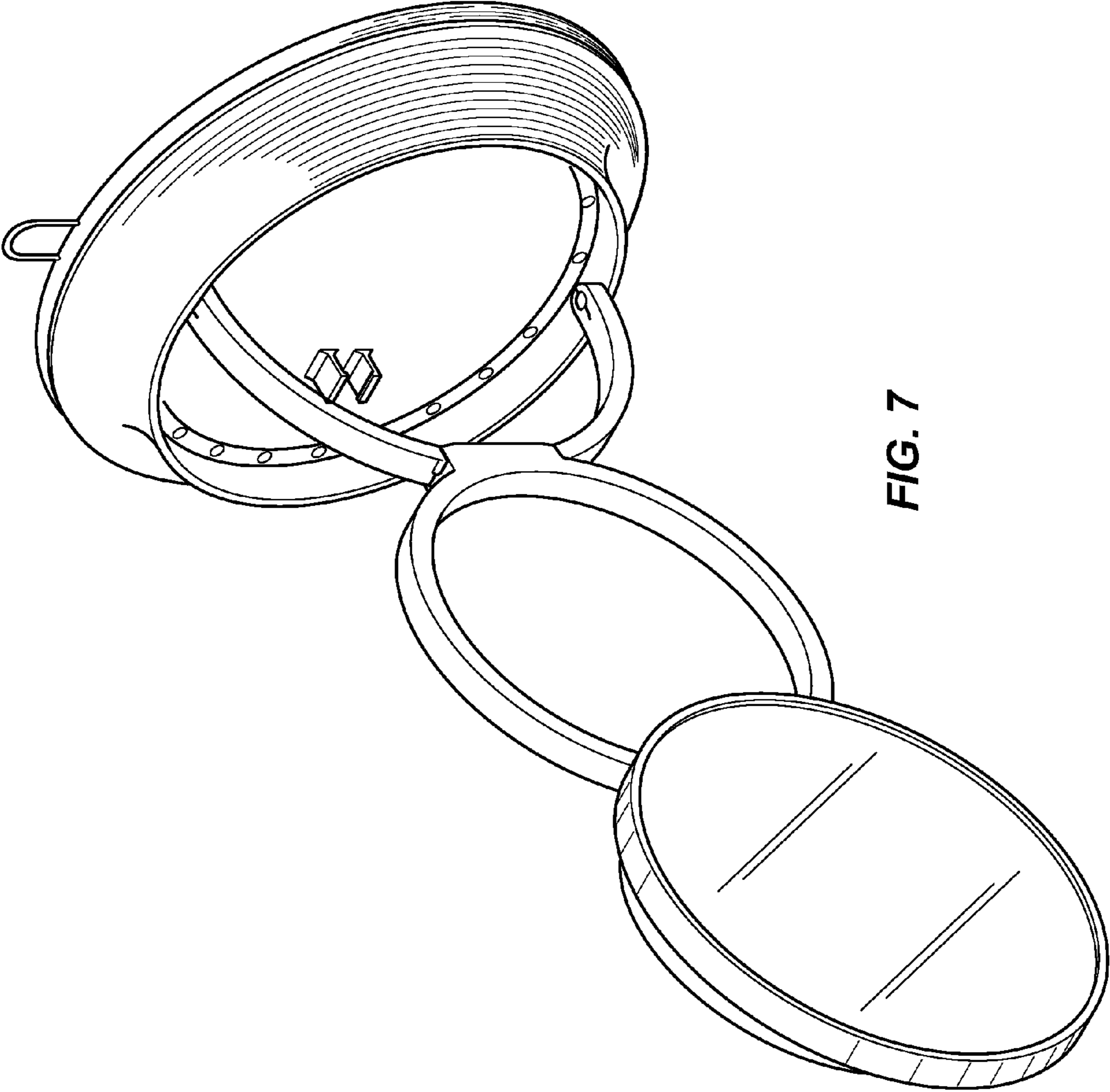


FIG. 7

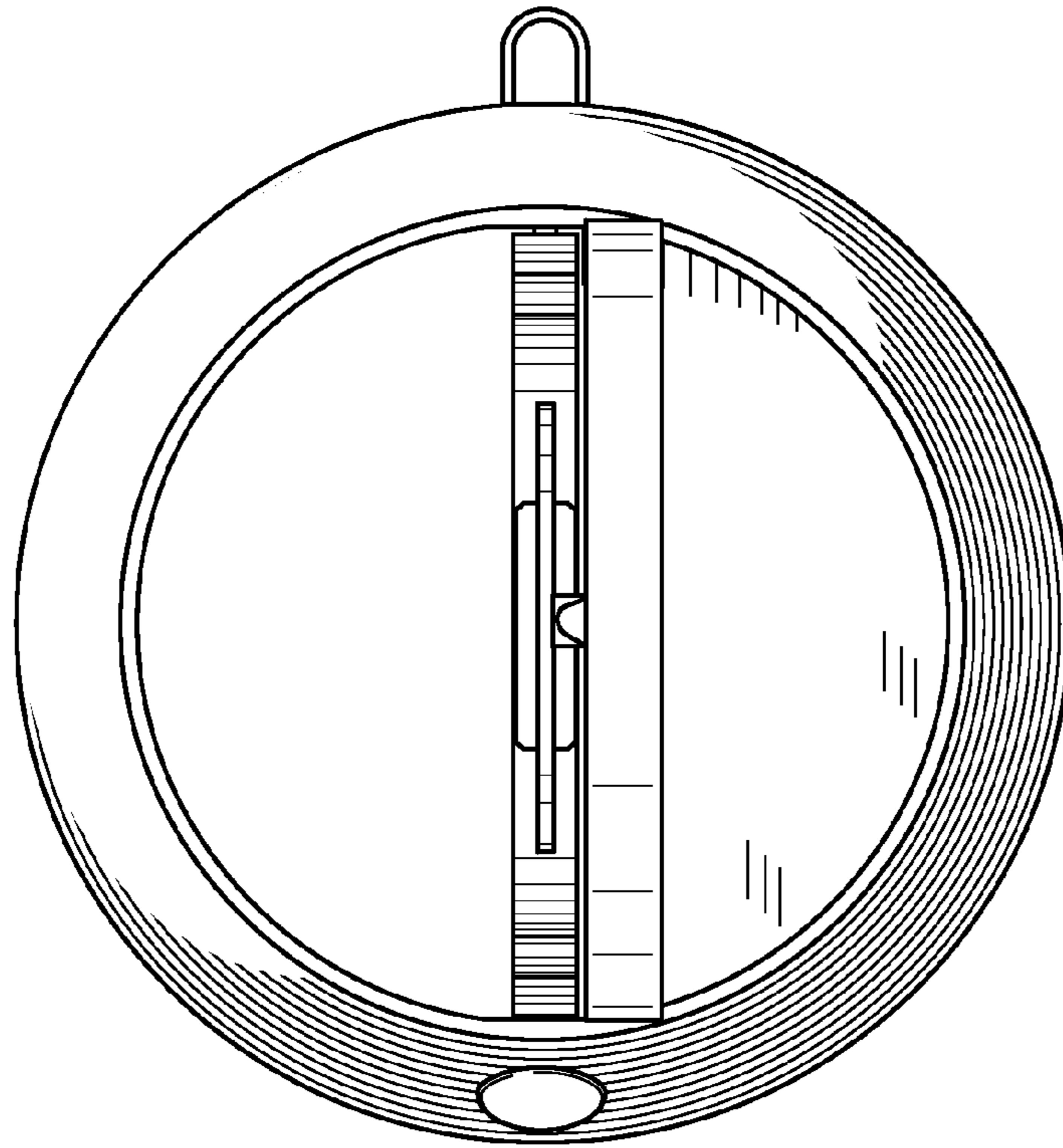


FIG. 8

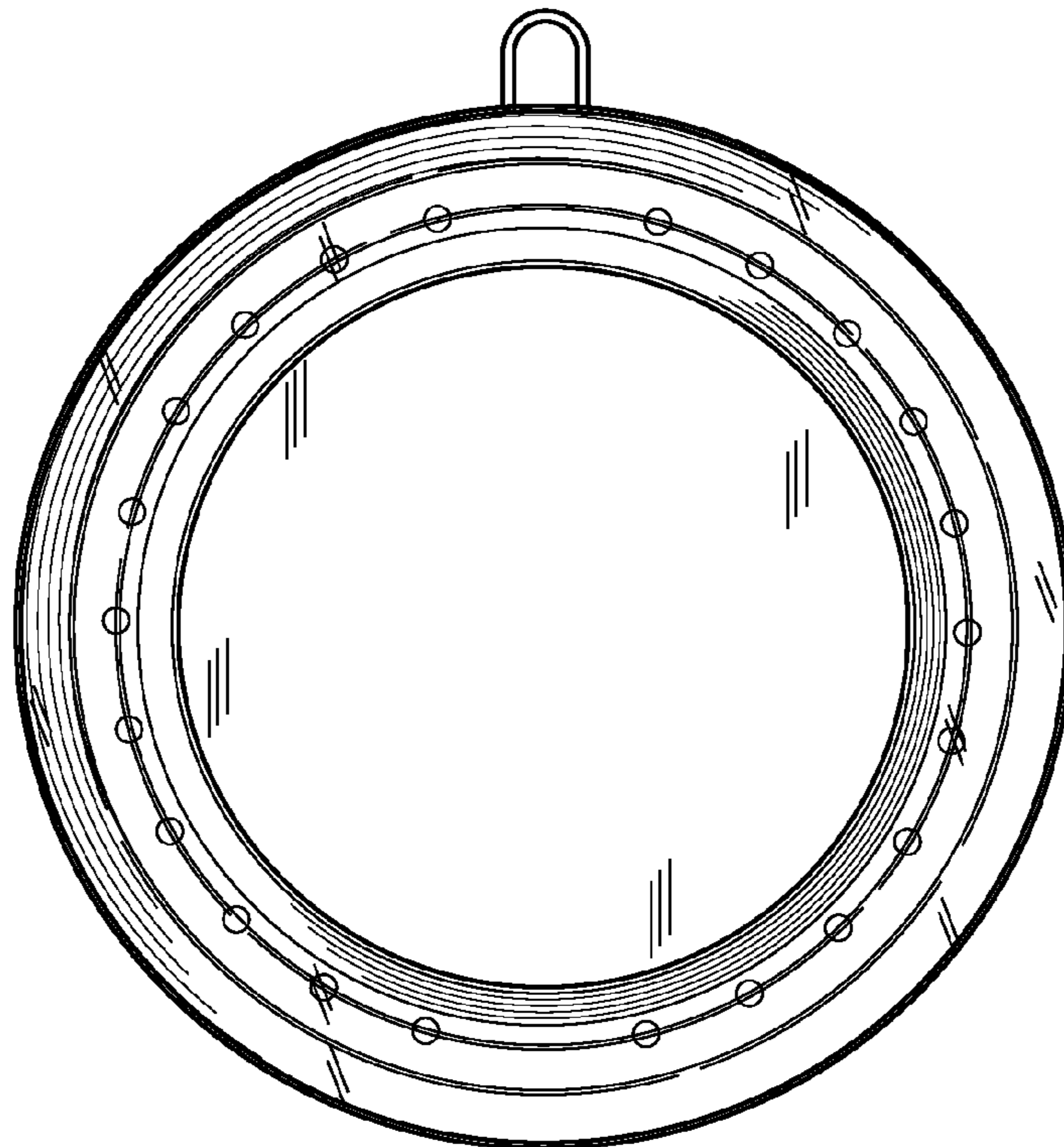


FIG. 9

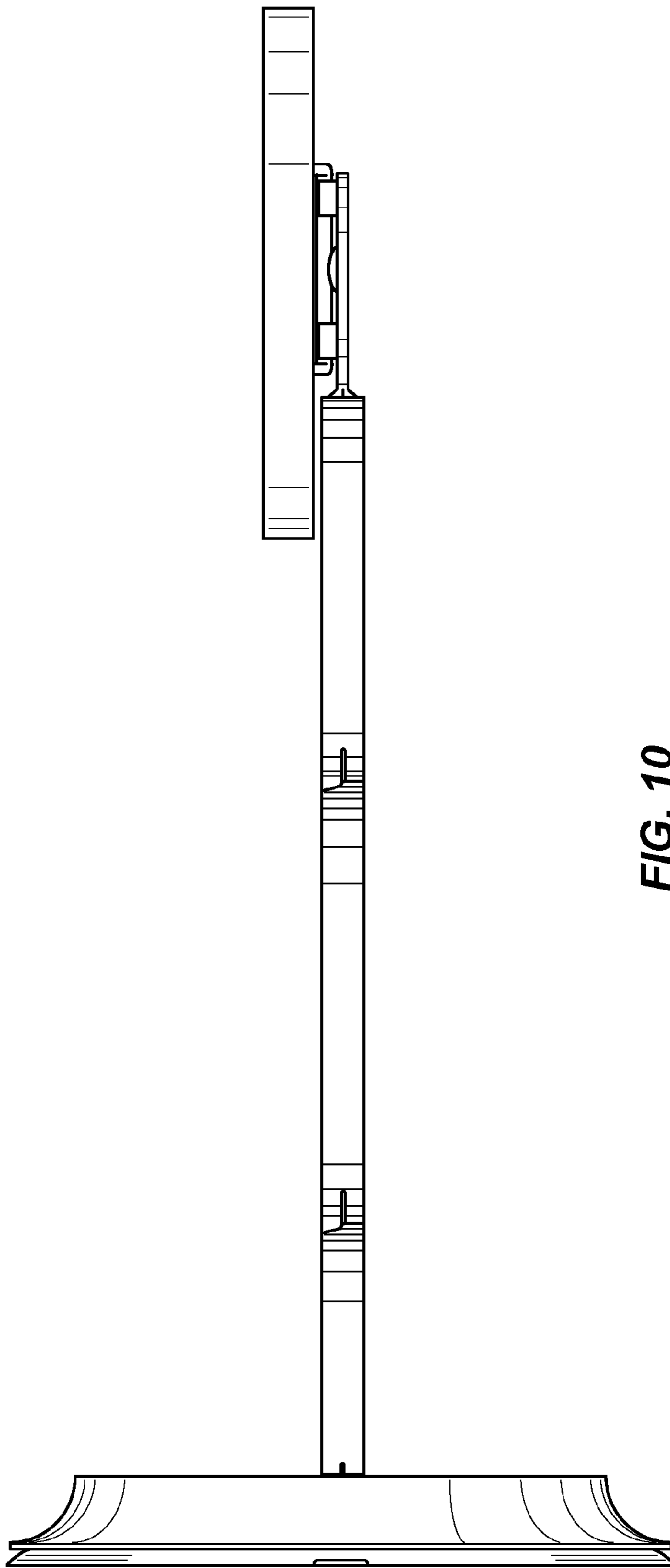


FIG. 10

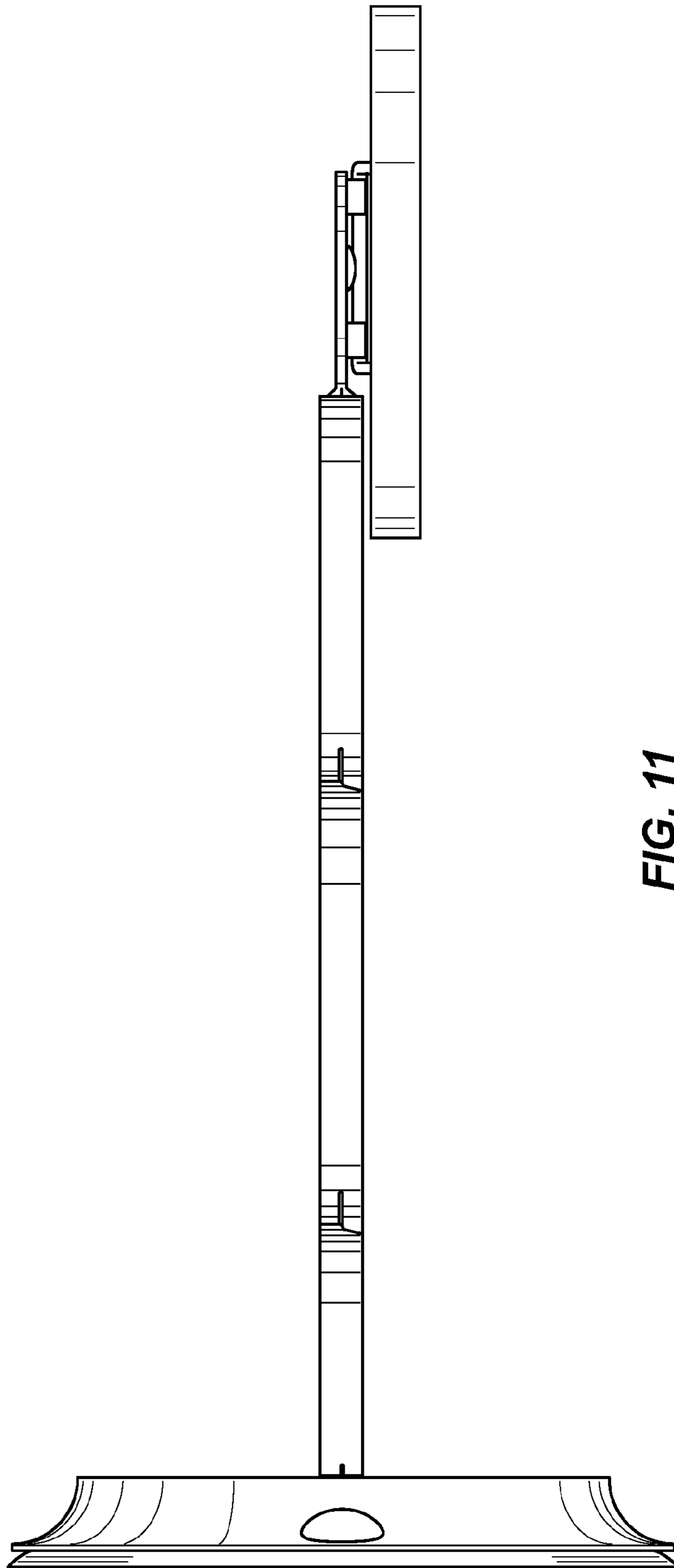


FIG. 11

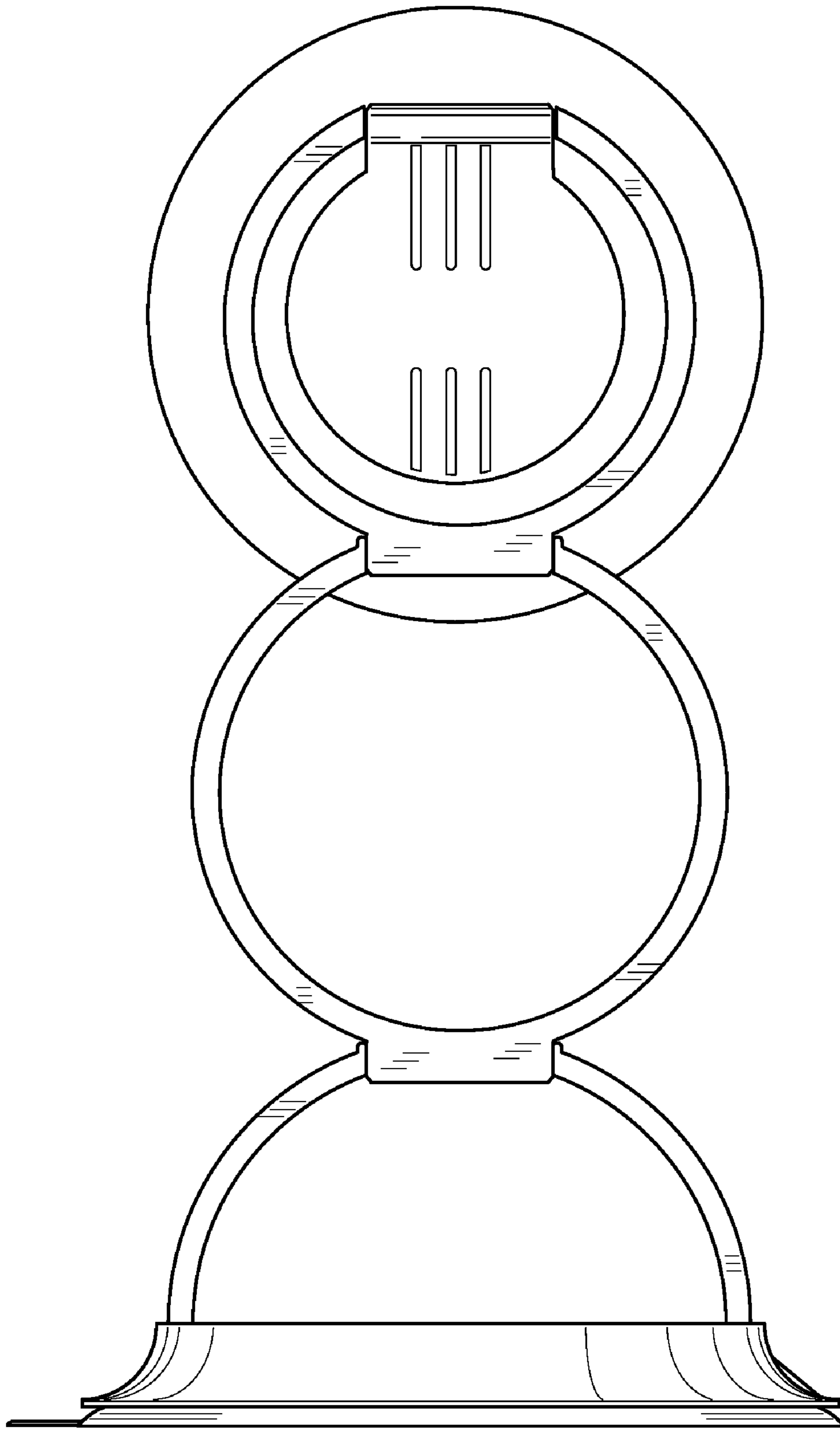


FIG. 12

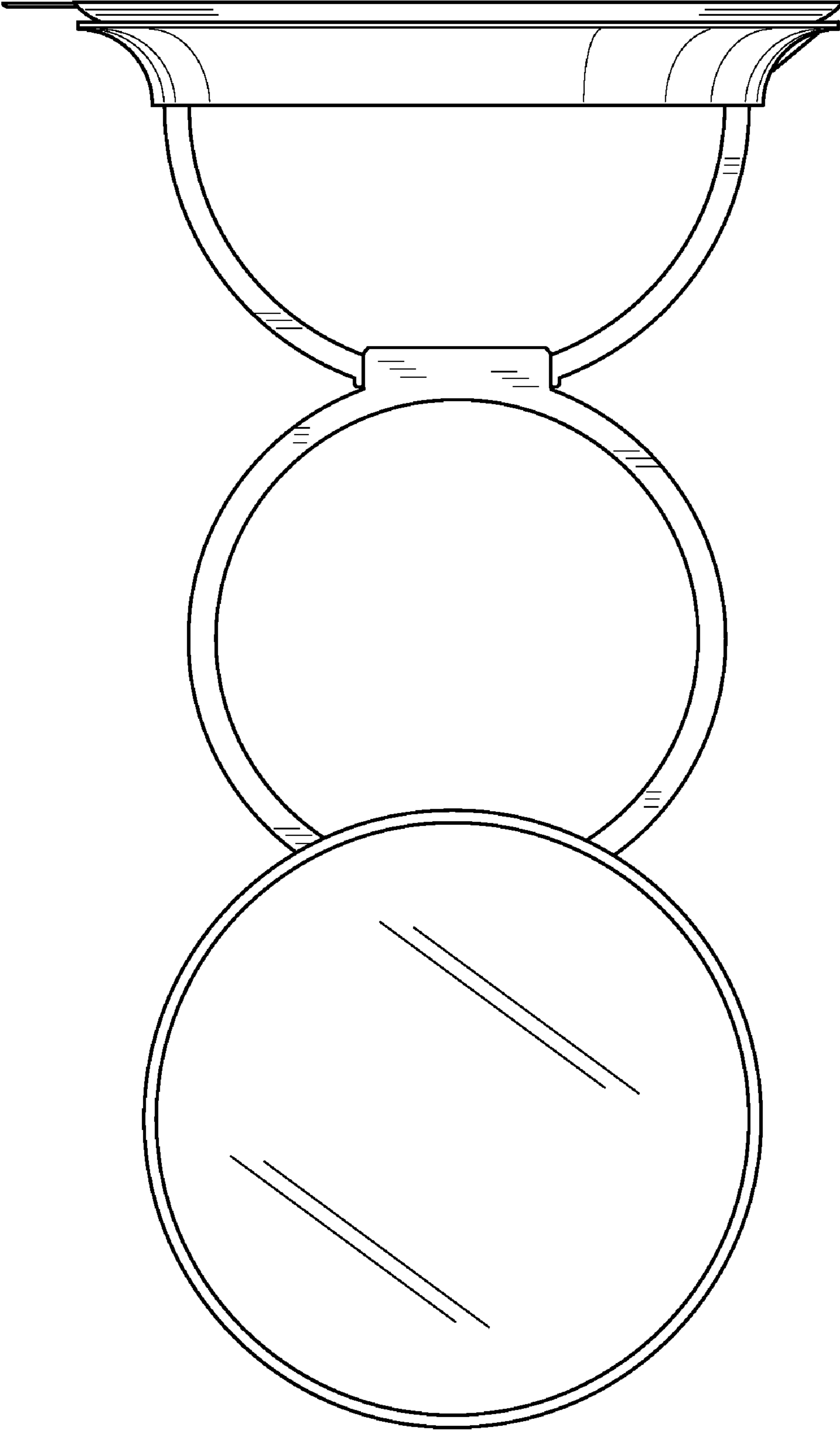


FIG. 13

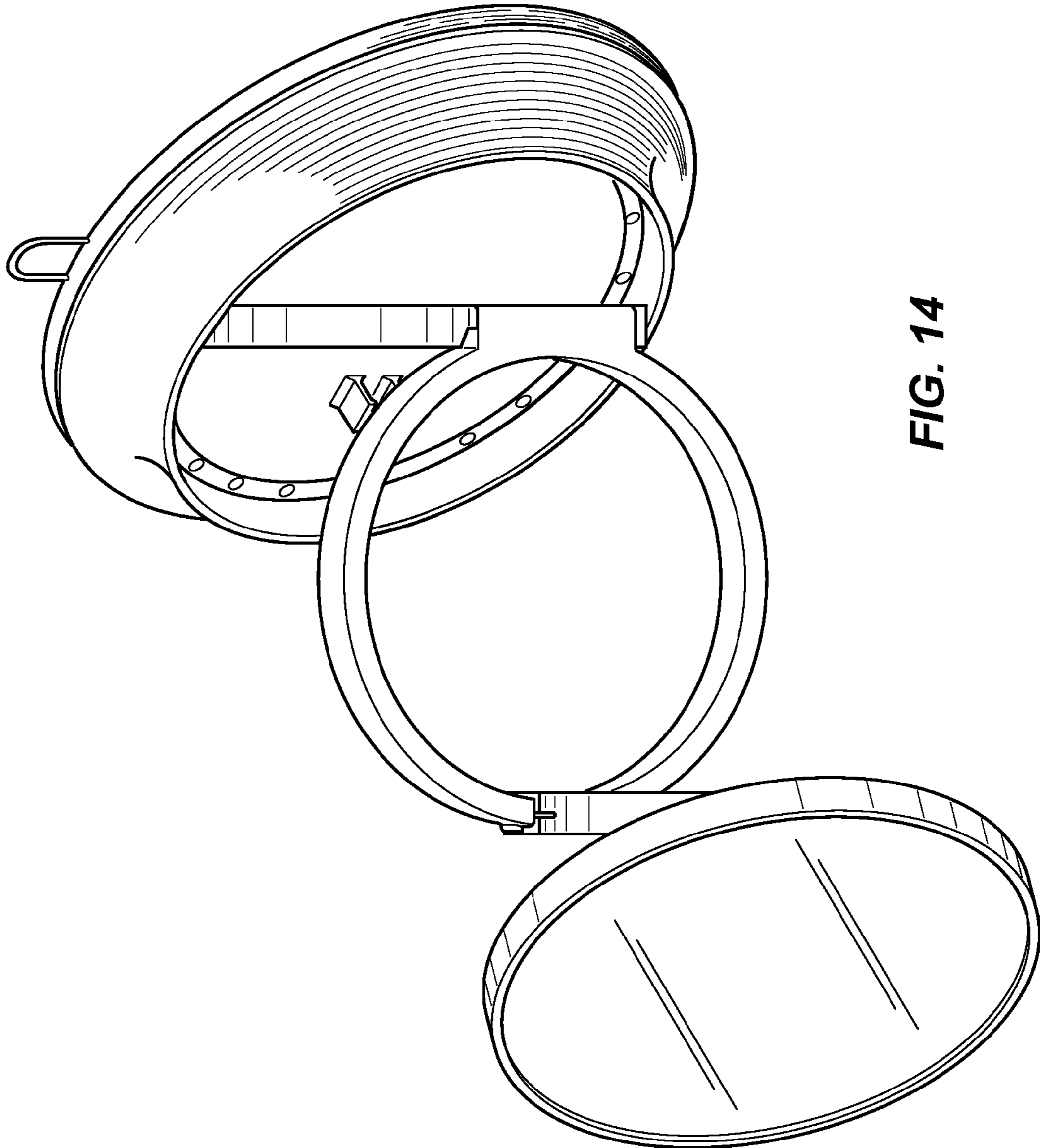


FIG. 14

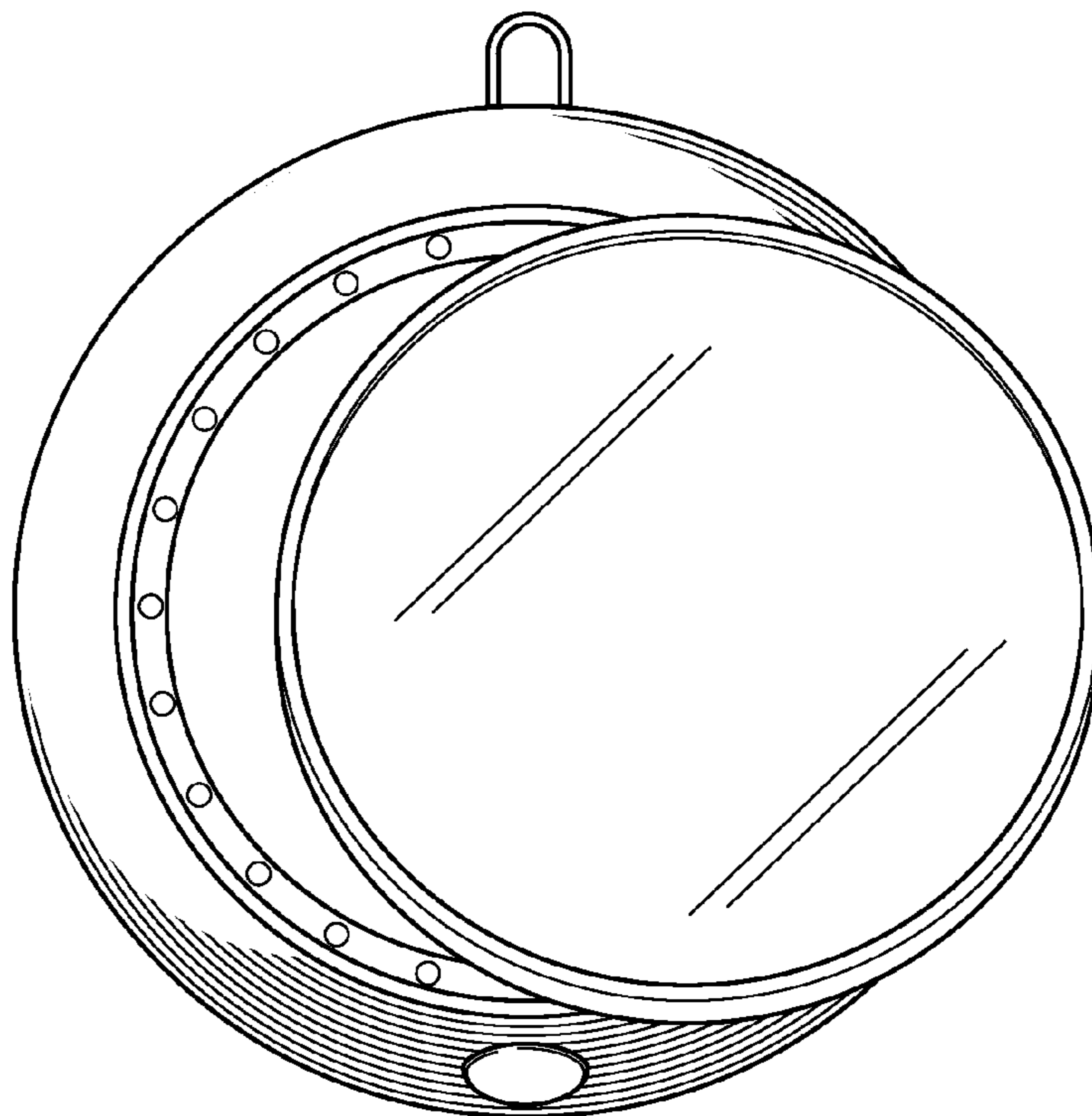


FIG. 15

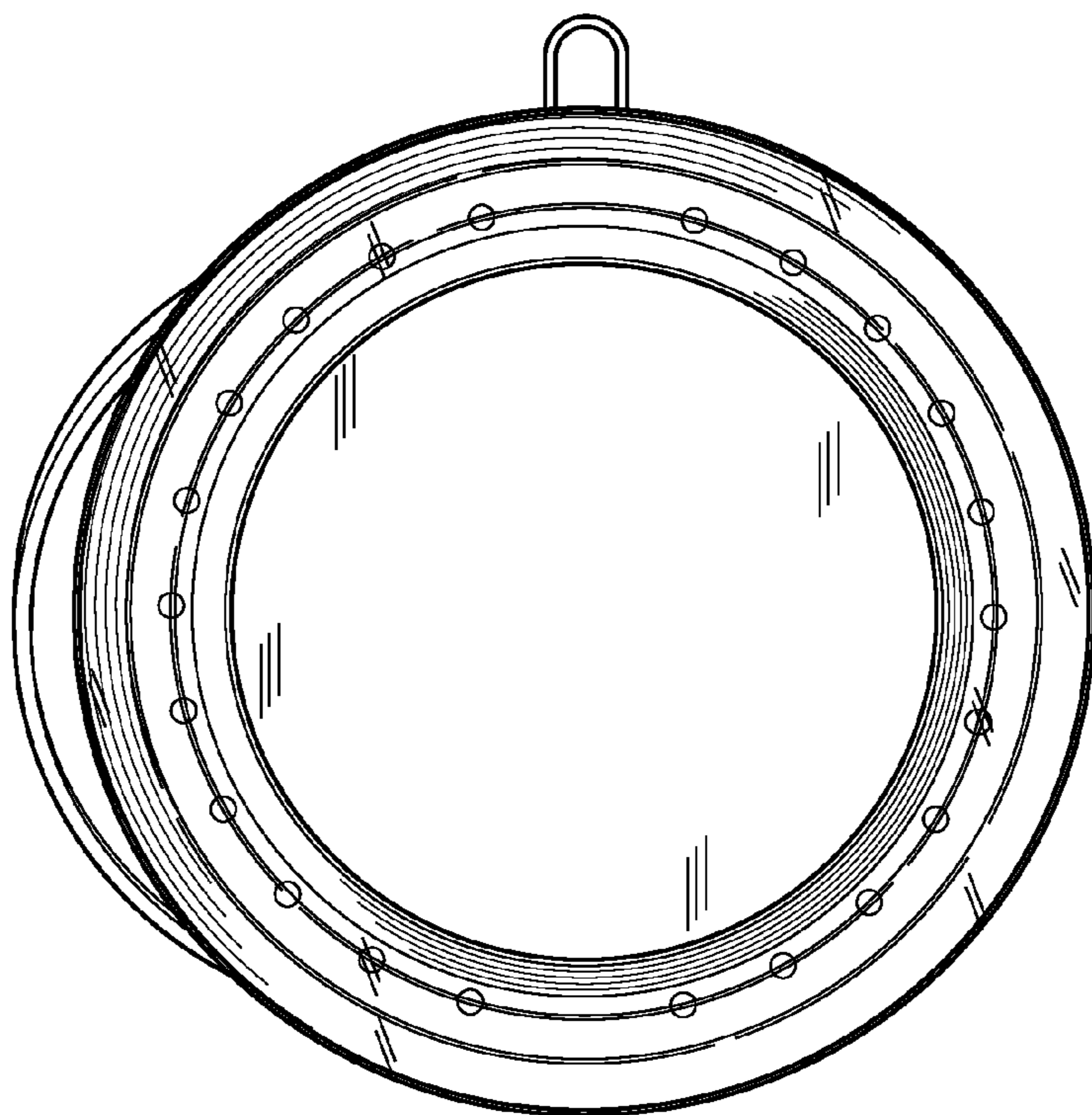


FIG. 16

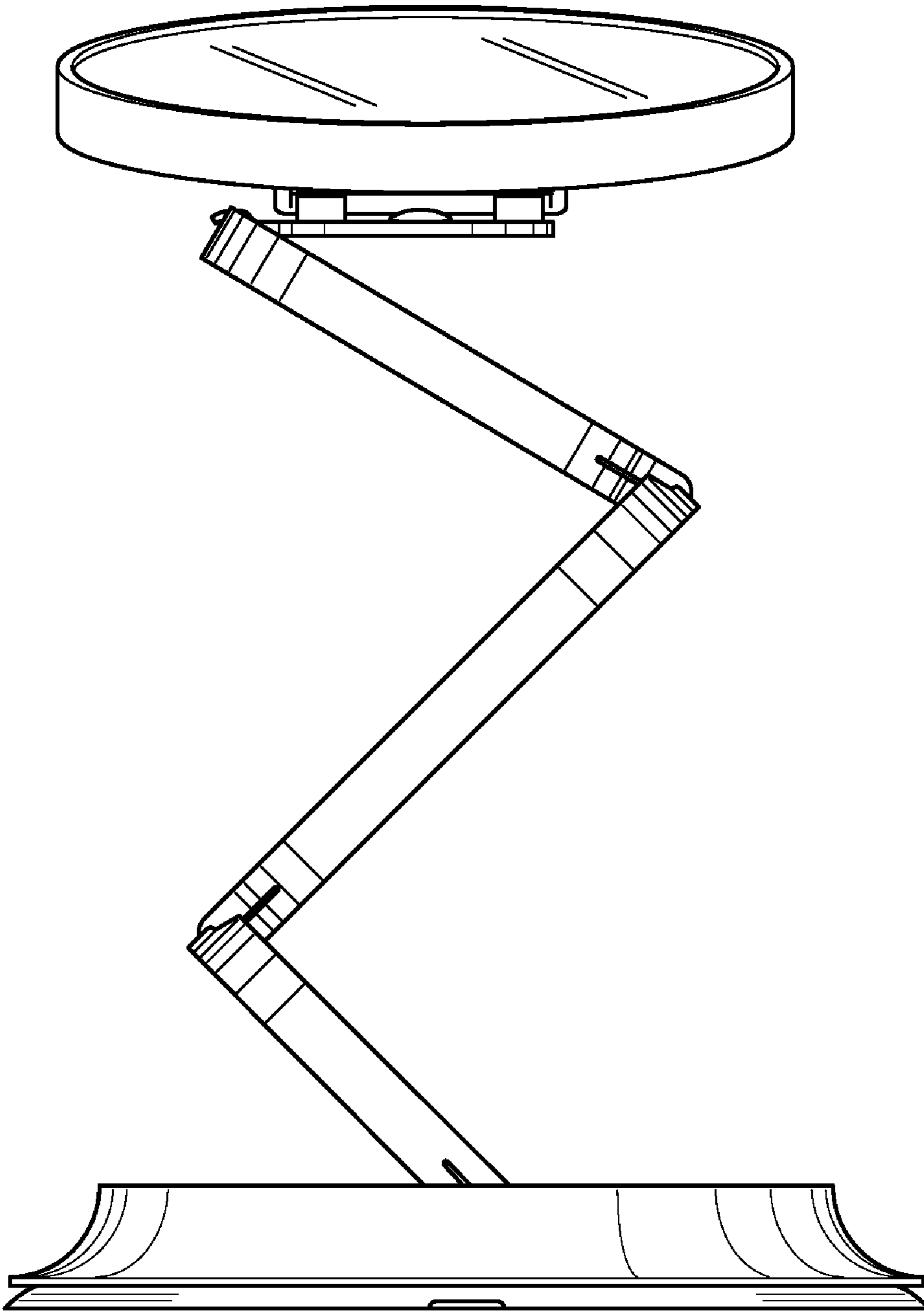


FIG. 17

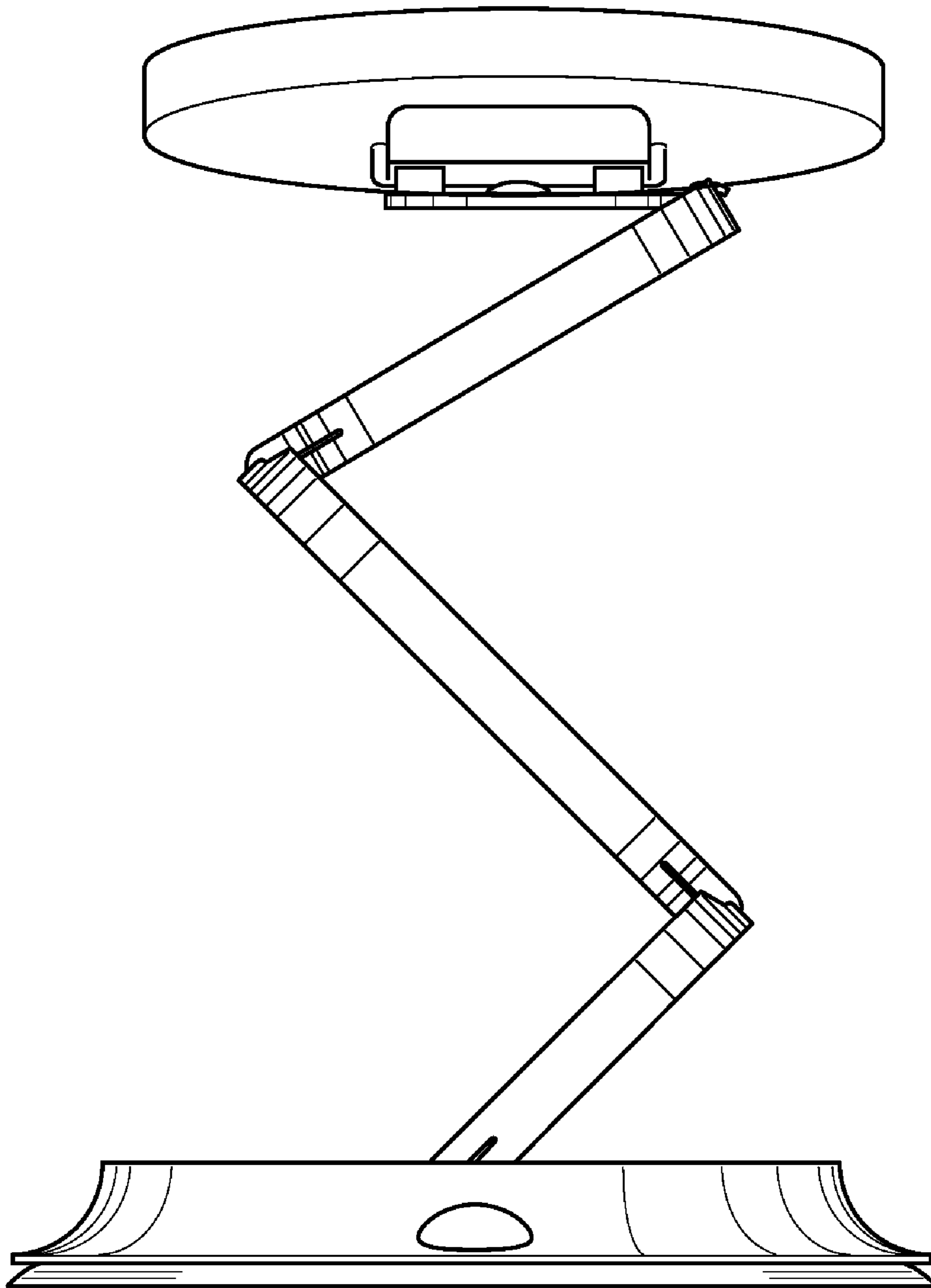


FIG. 18

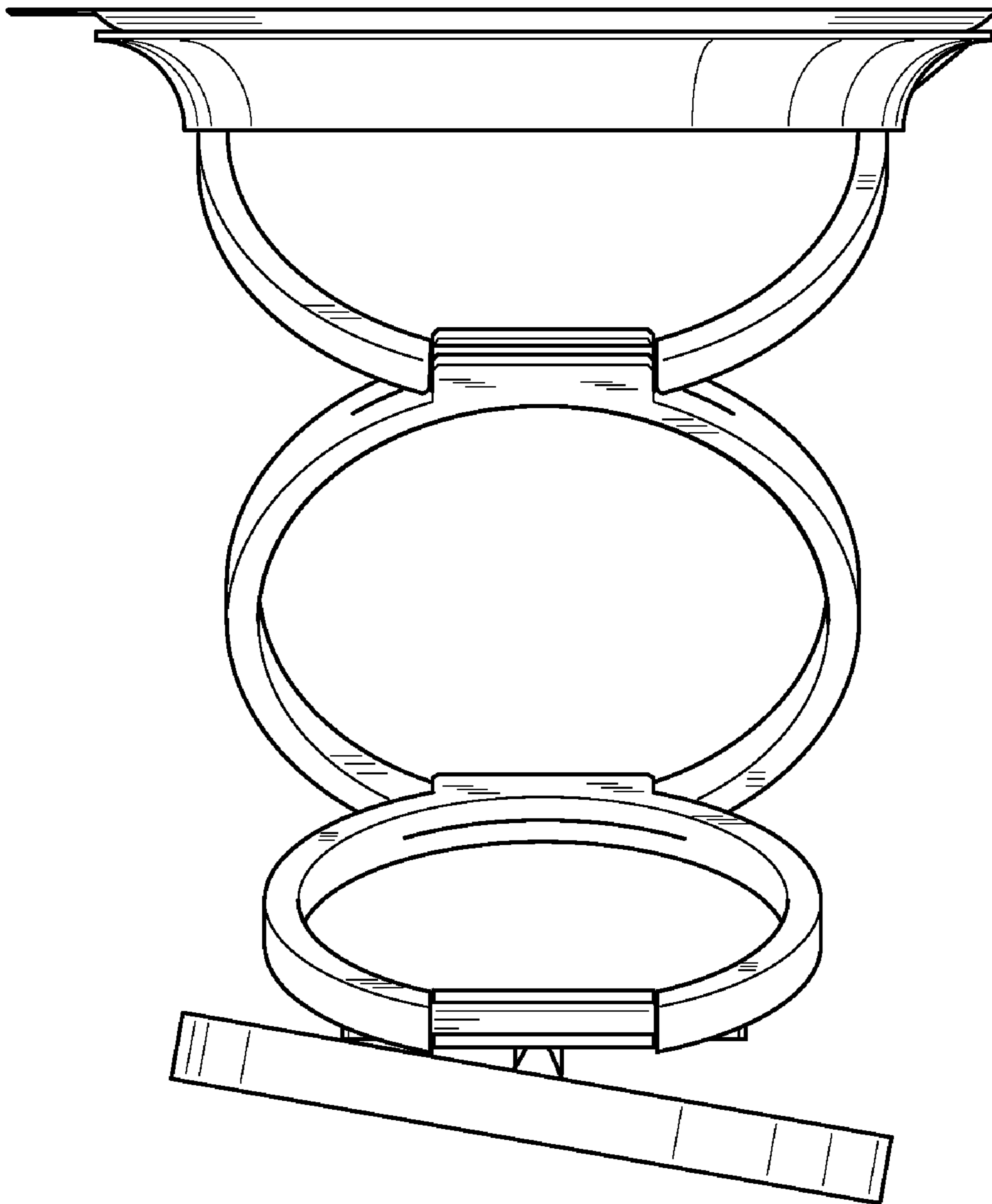


FIG. 19

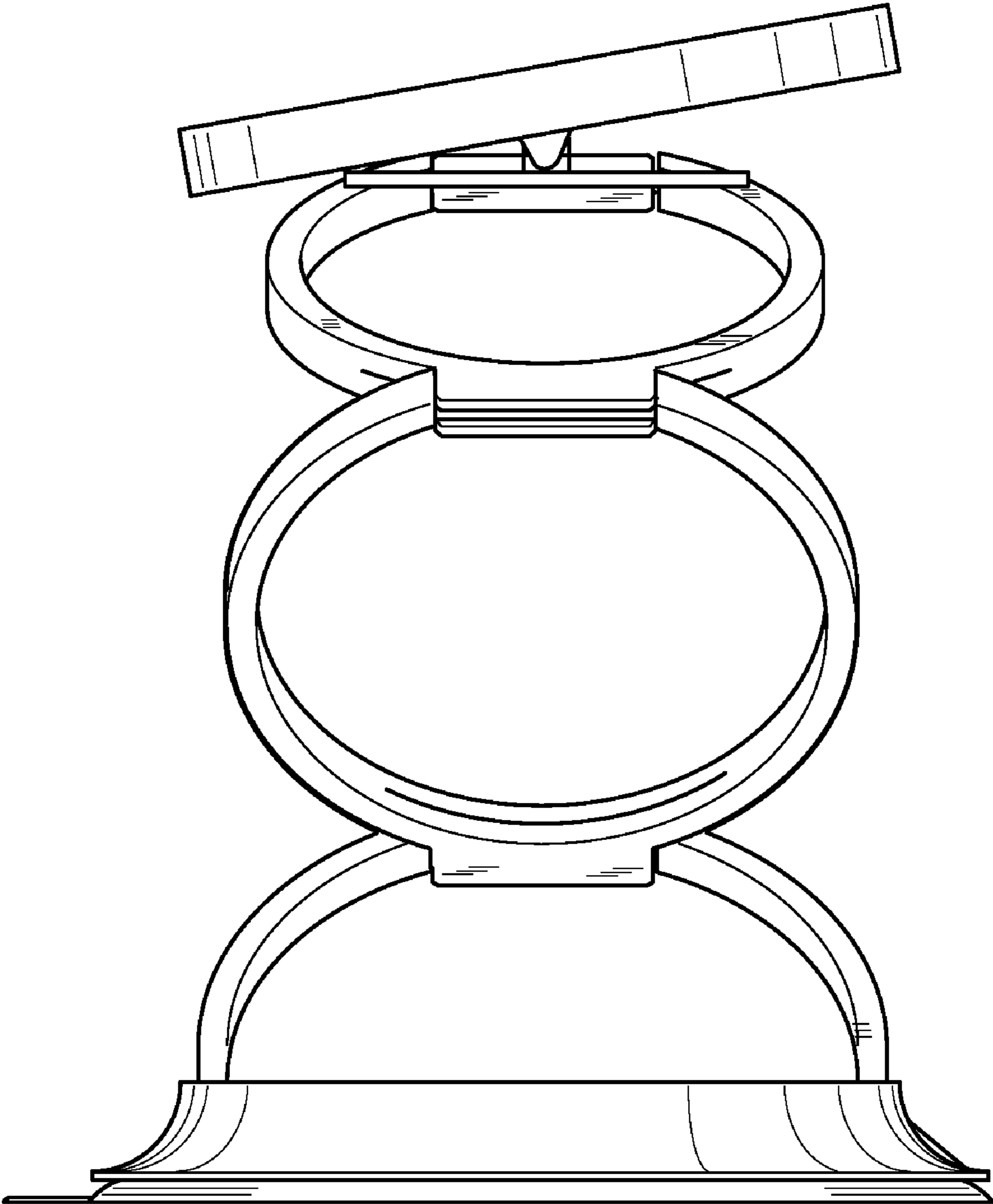


FIG. 20

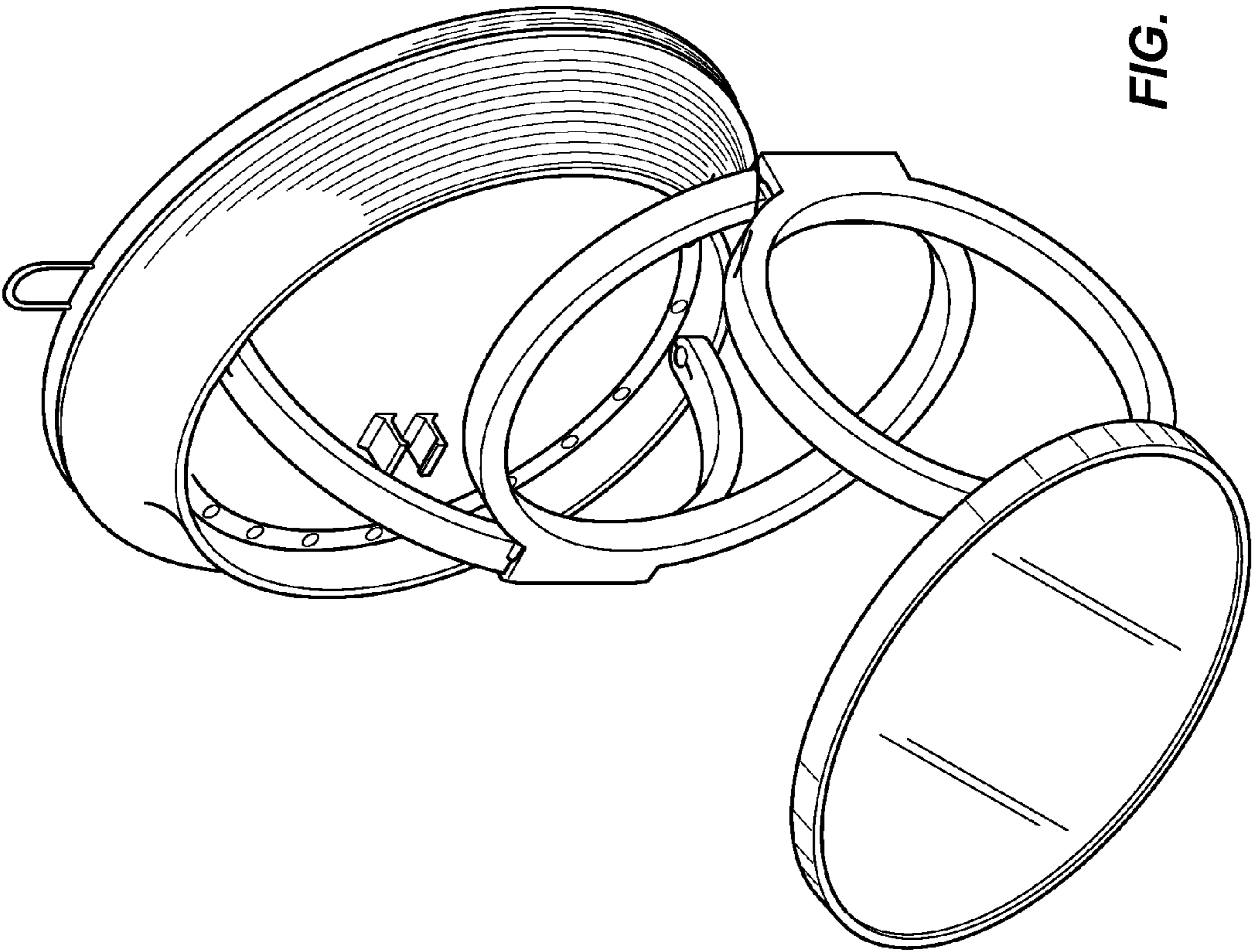


FIG. 21

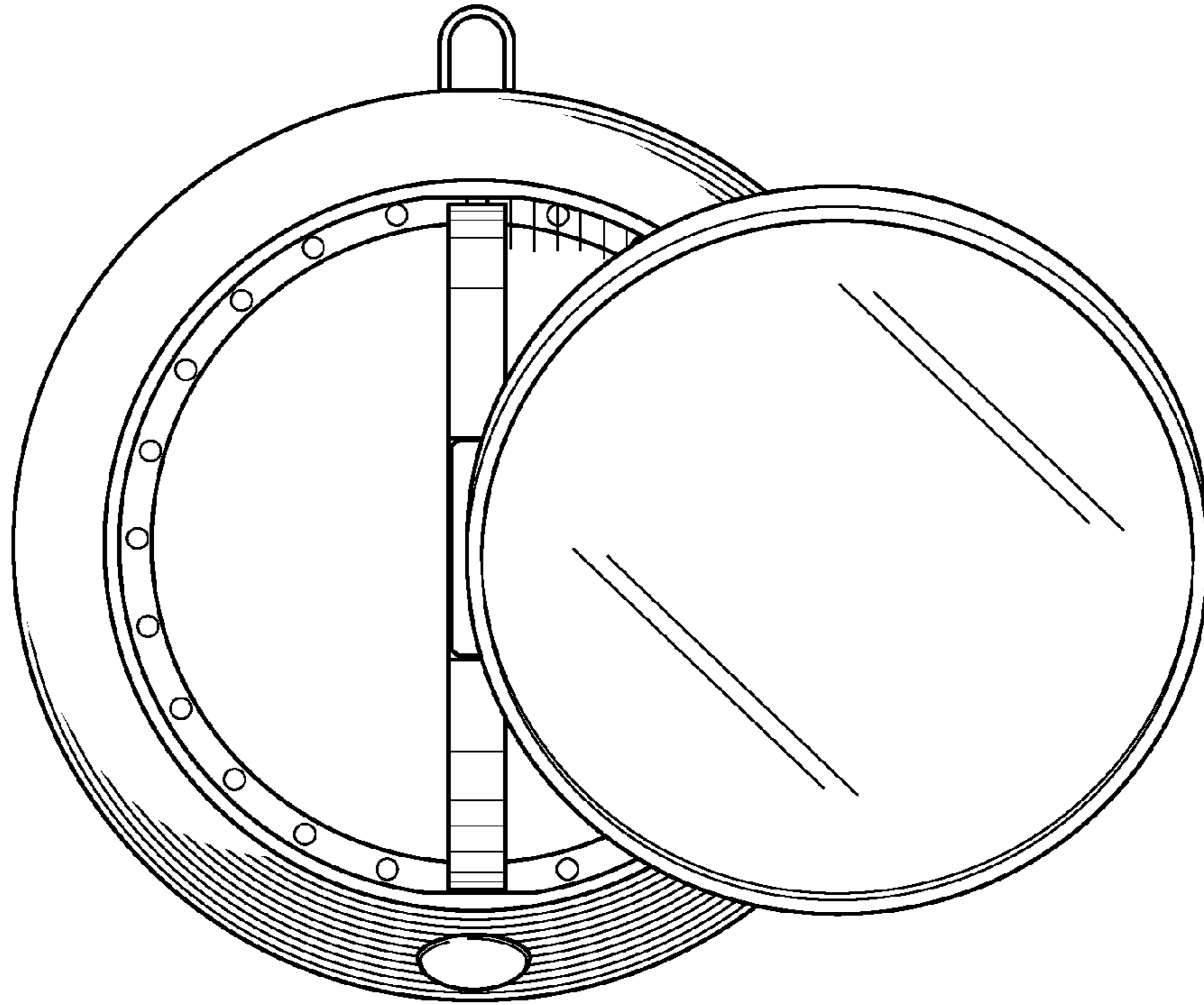


FIG. 22

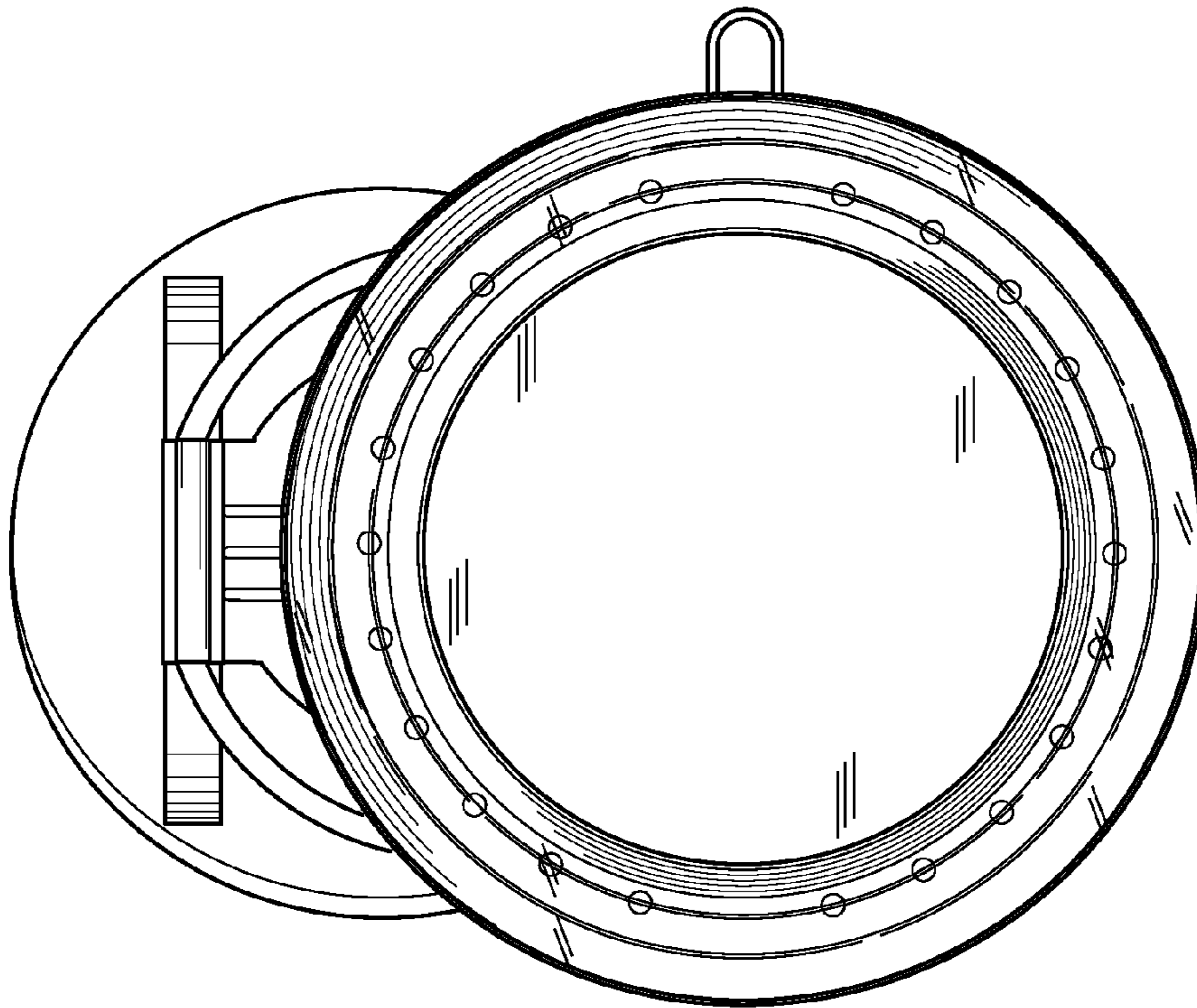


FIG. 23

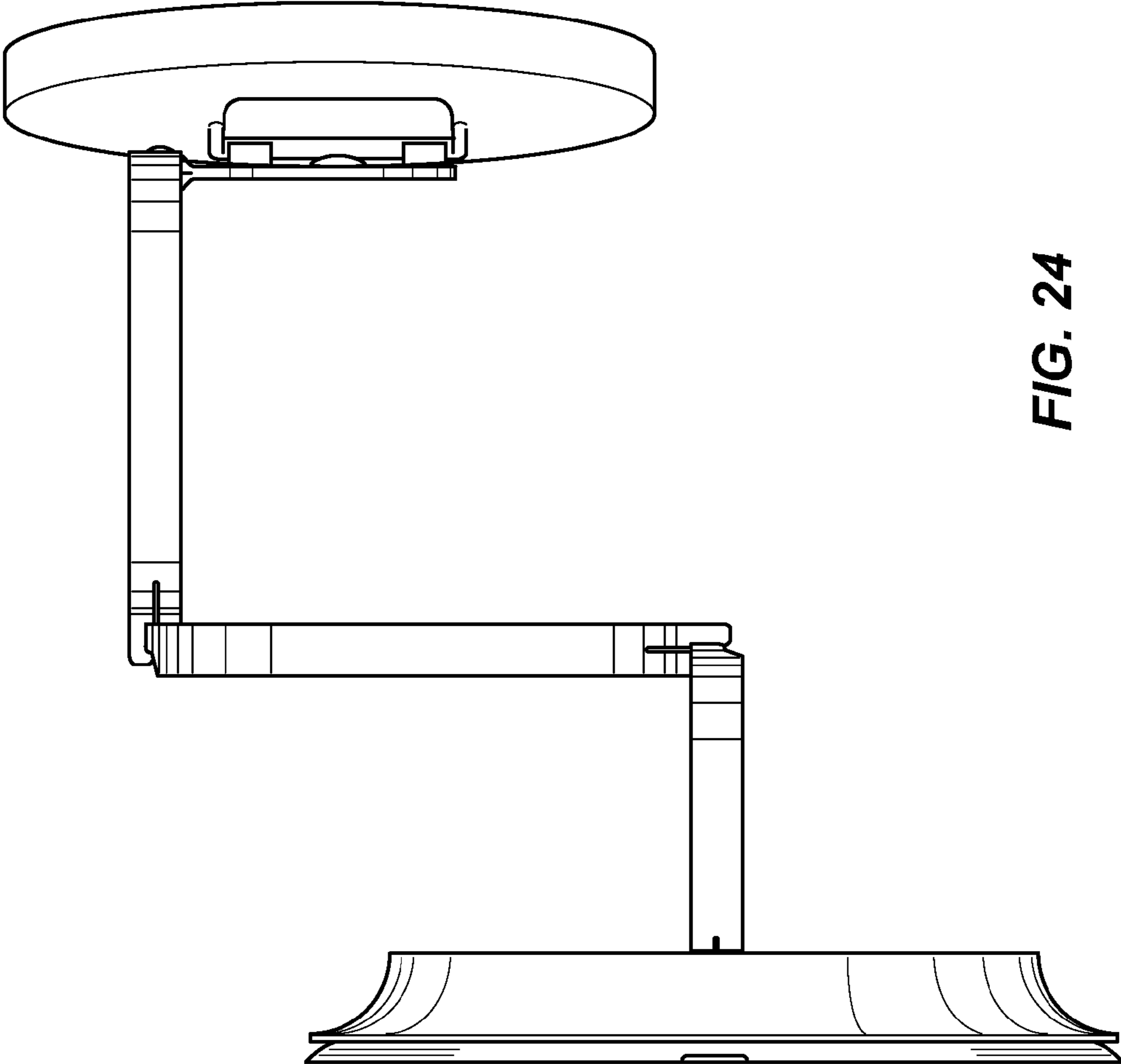


FIG. 24

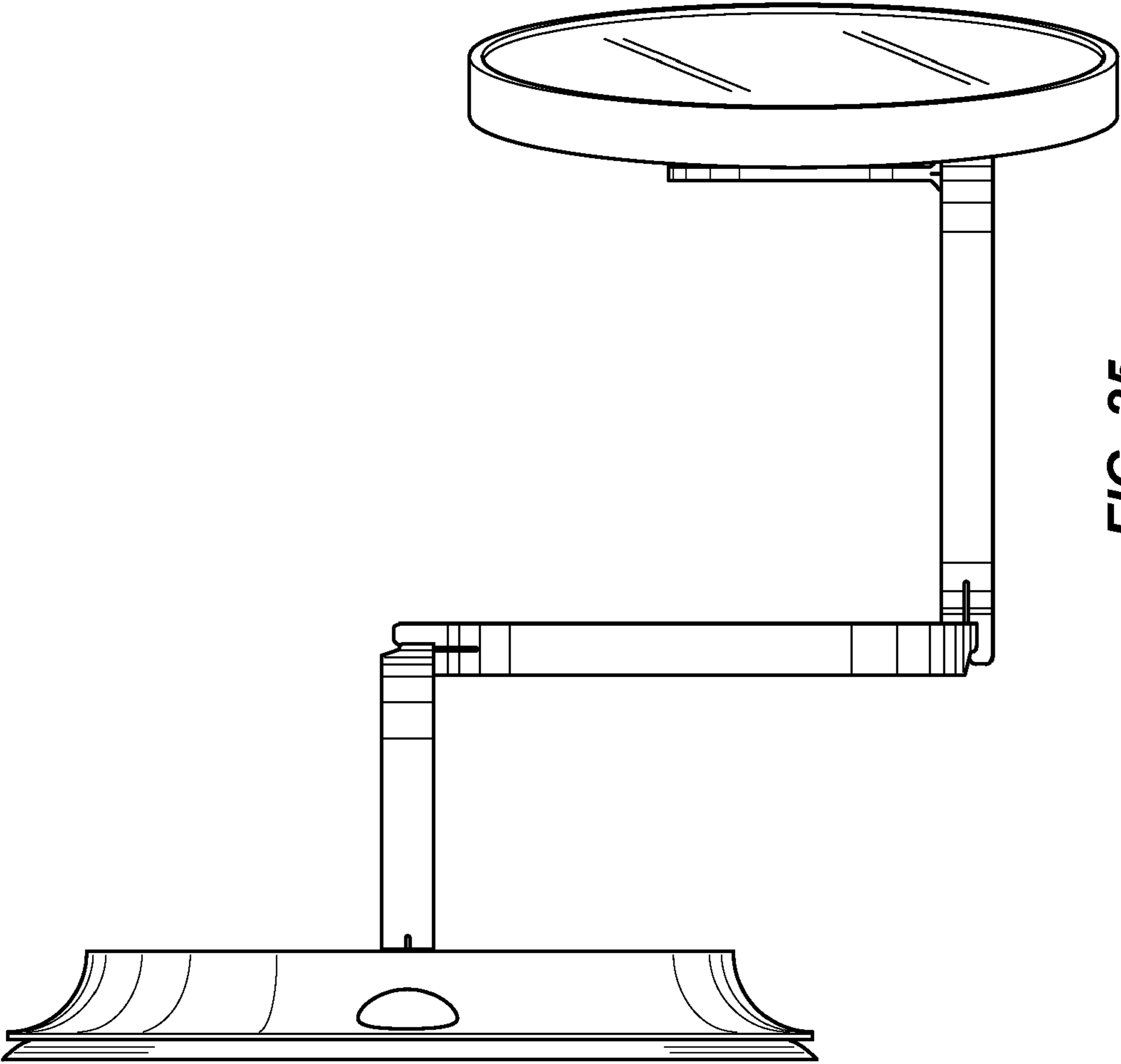


FIG. 25

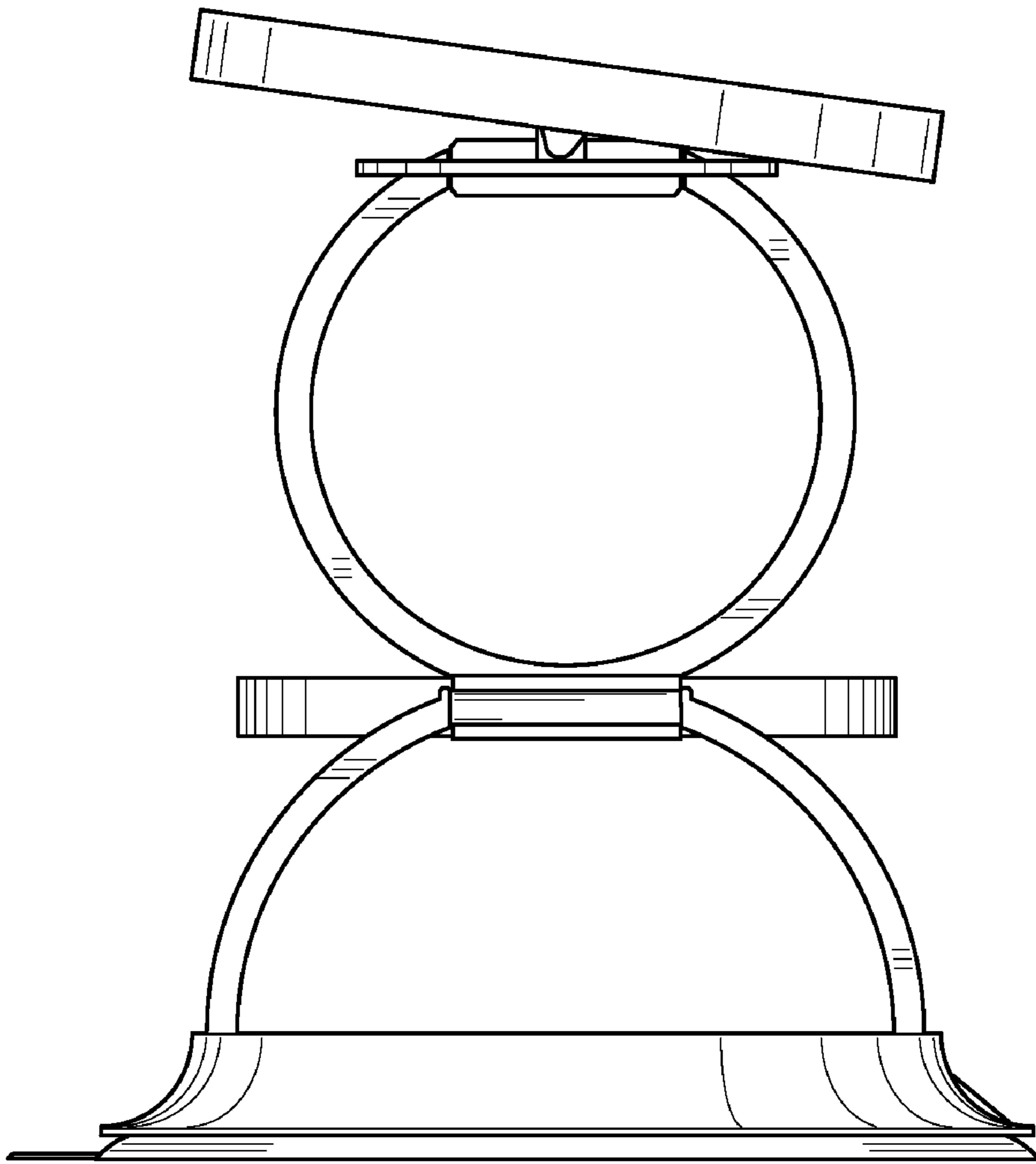


FIG. 26

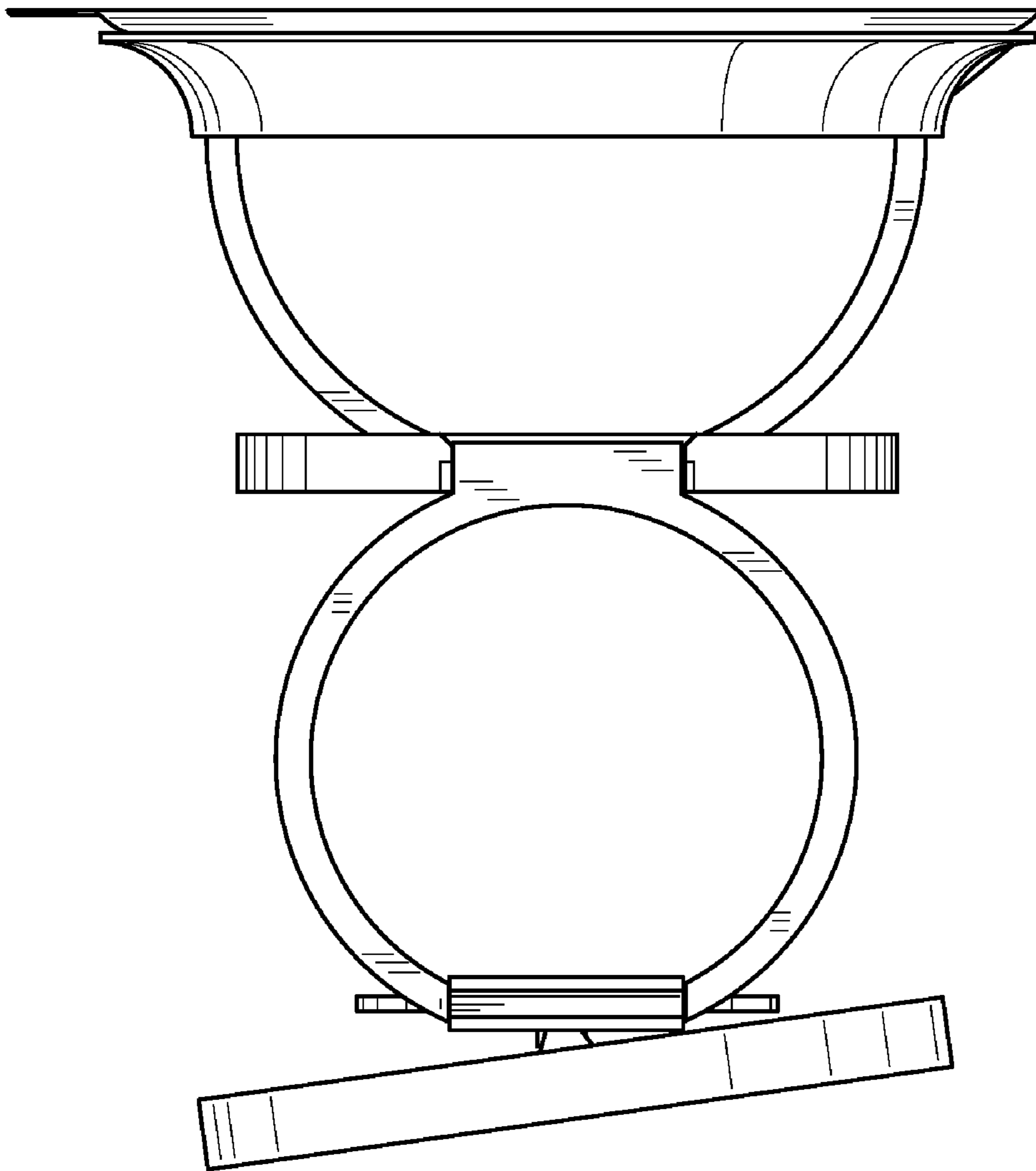


FIG. 27

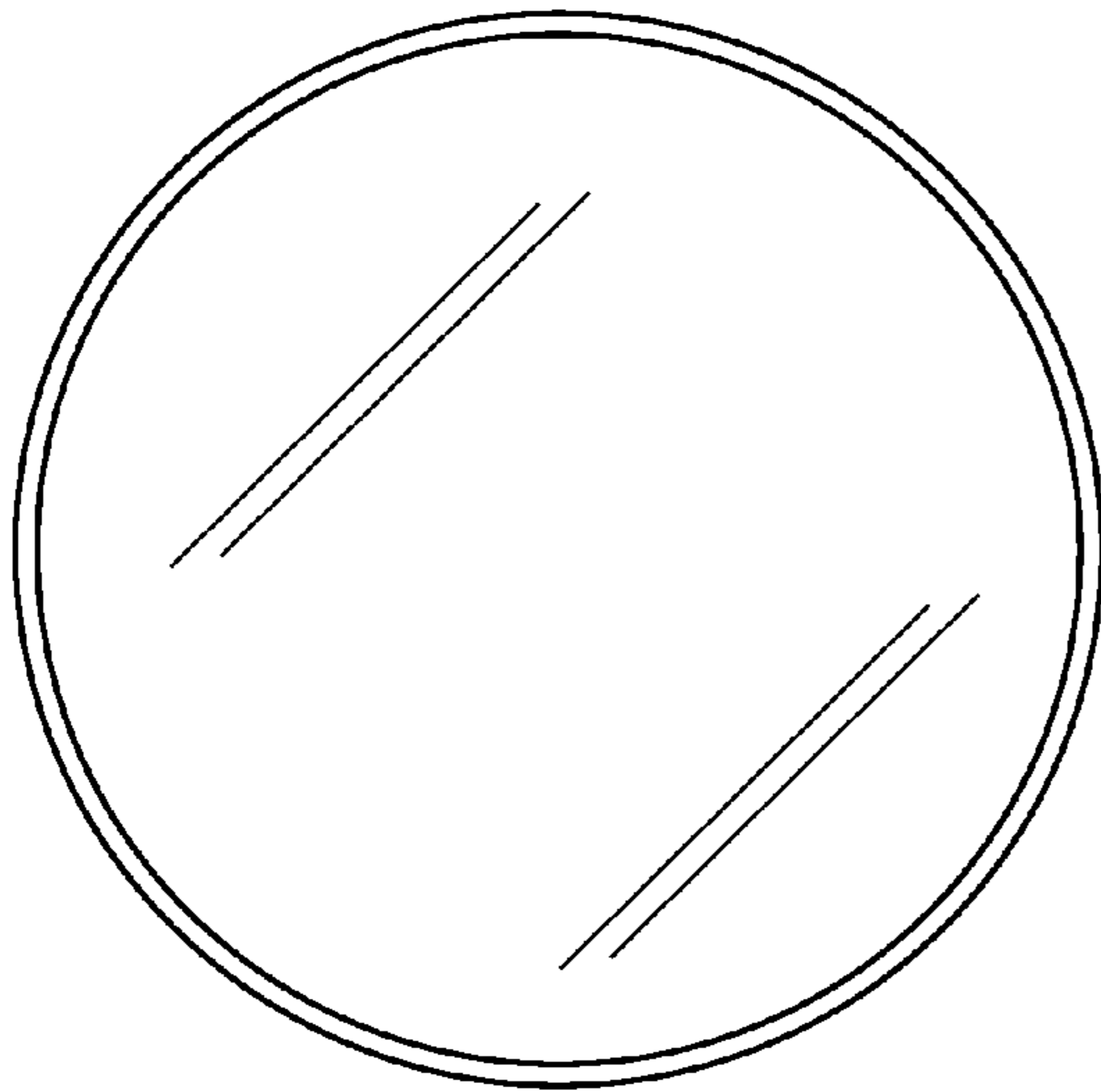


FIG. 28



FIG. 30

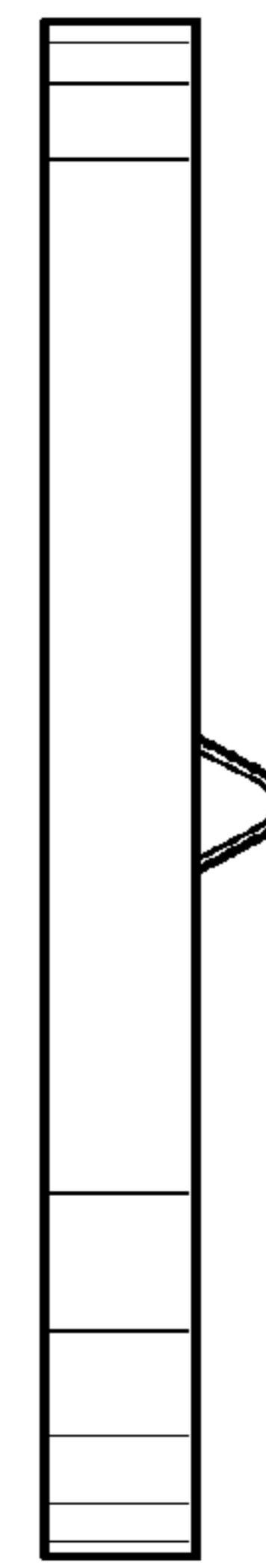


FIG. 31

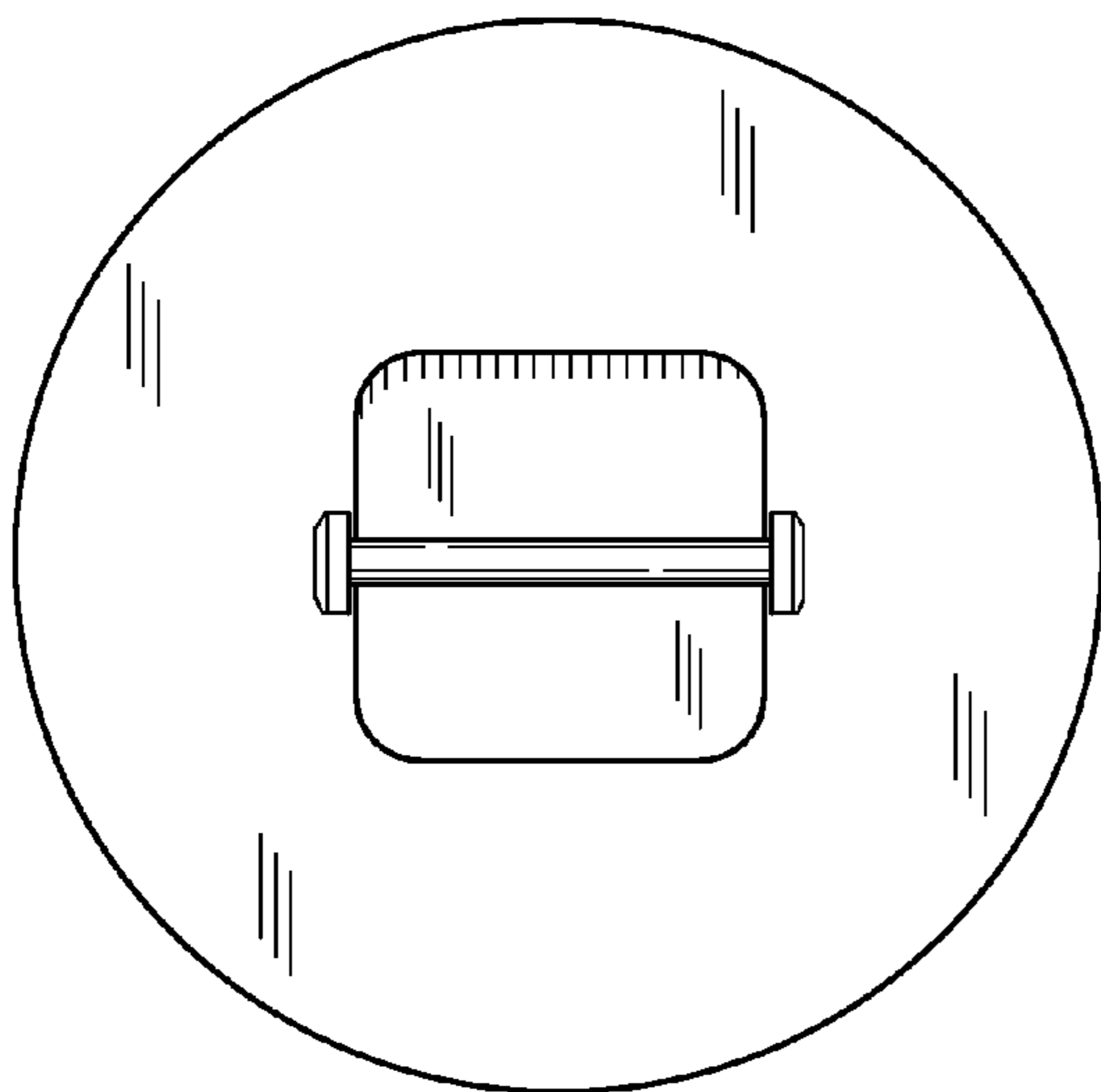


FIG. 29

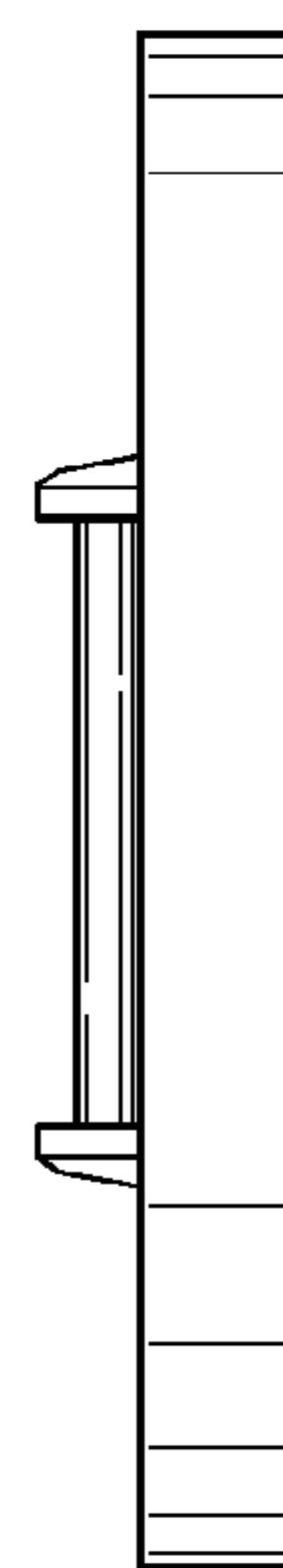


FIG. 32

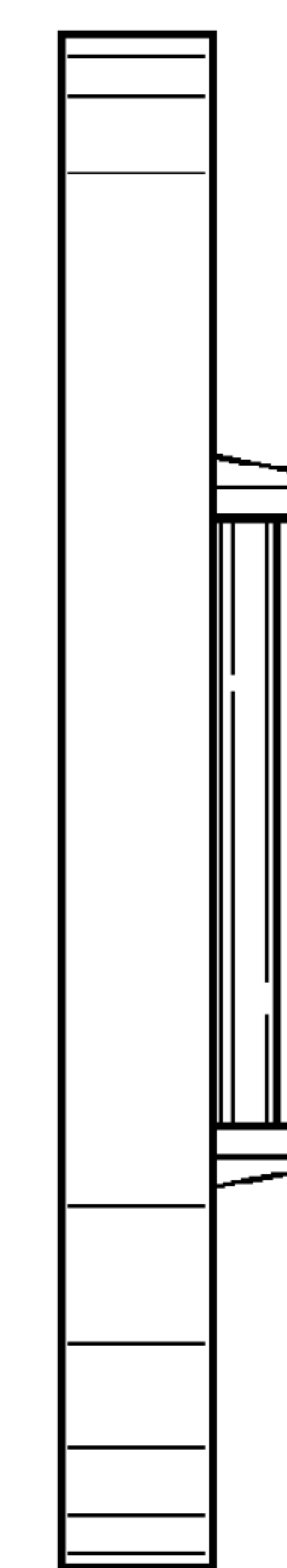


FIG. 33

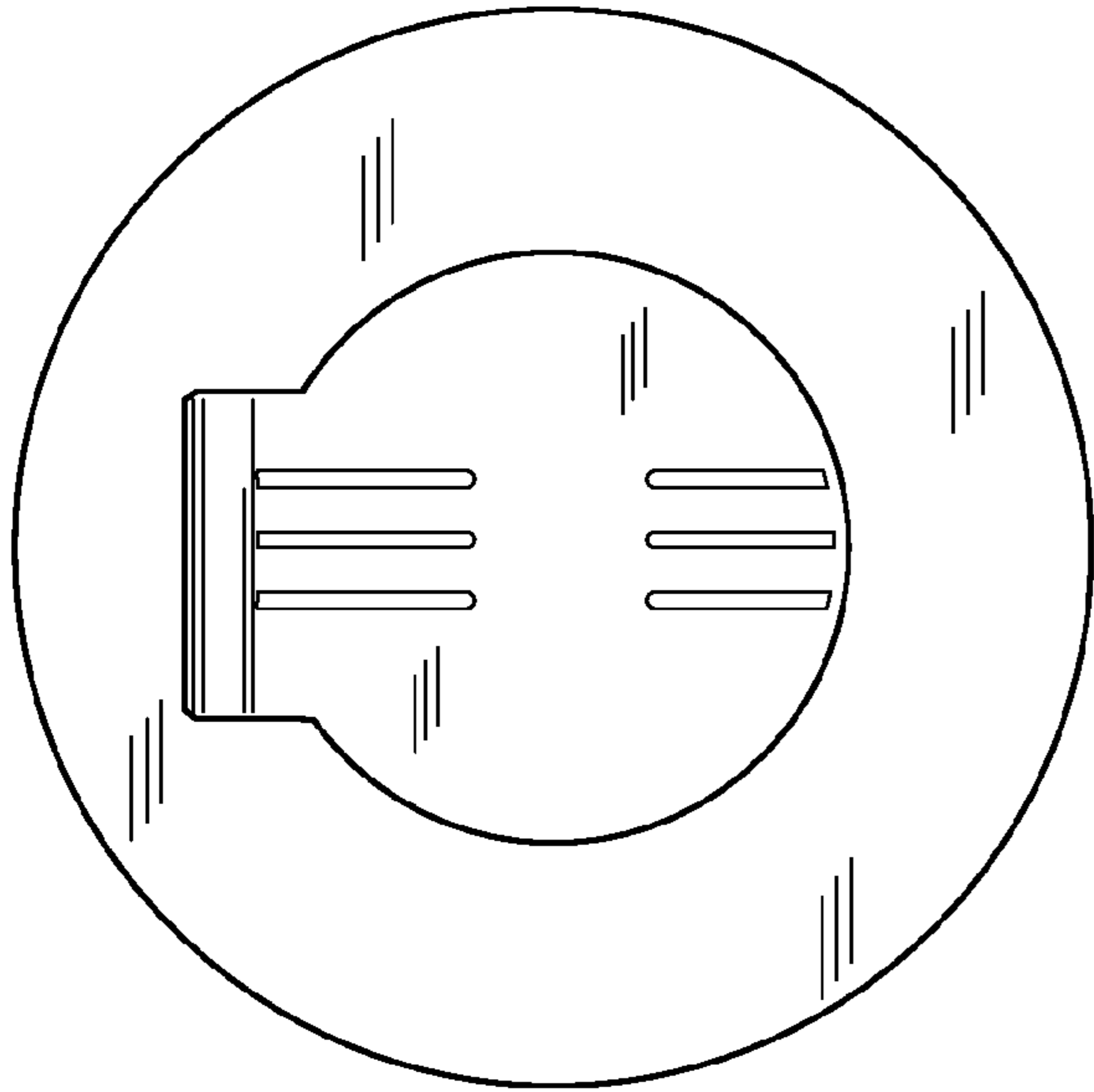


FIG. 34

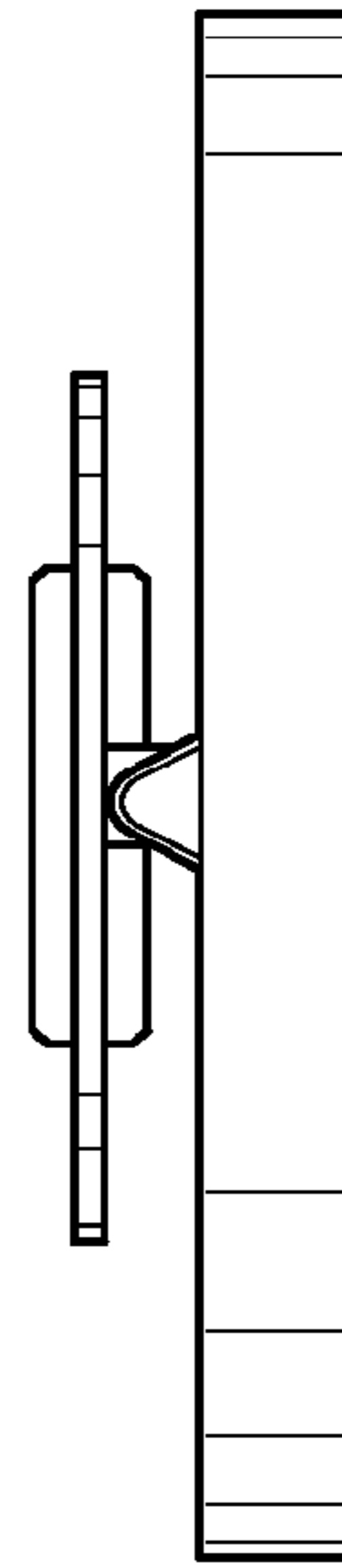


FIG. 35

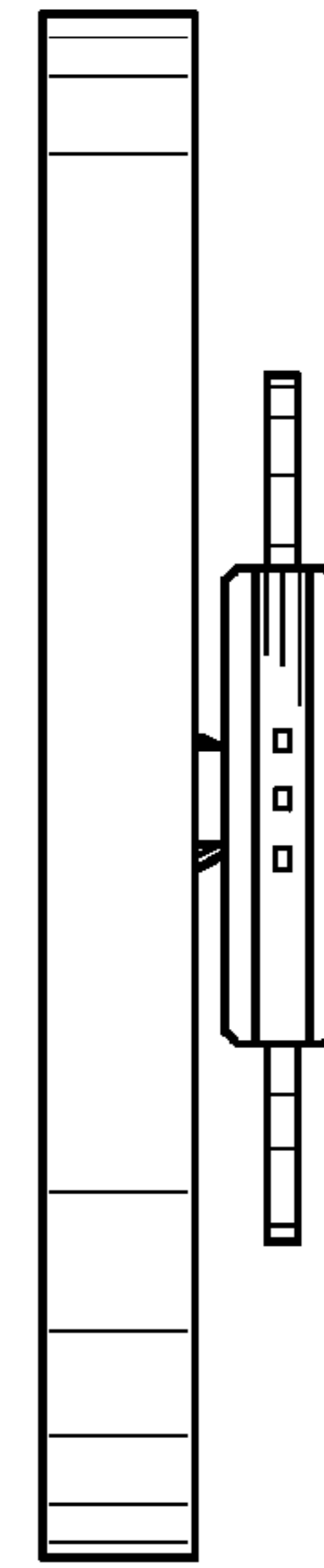


FIG. 36

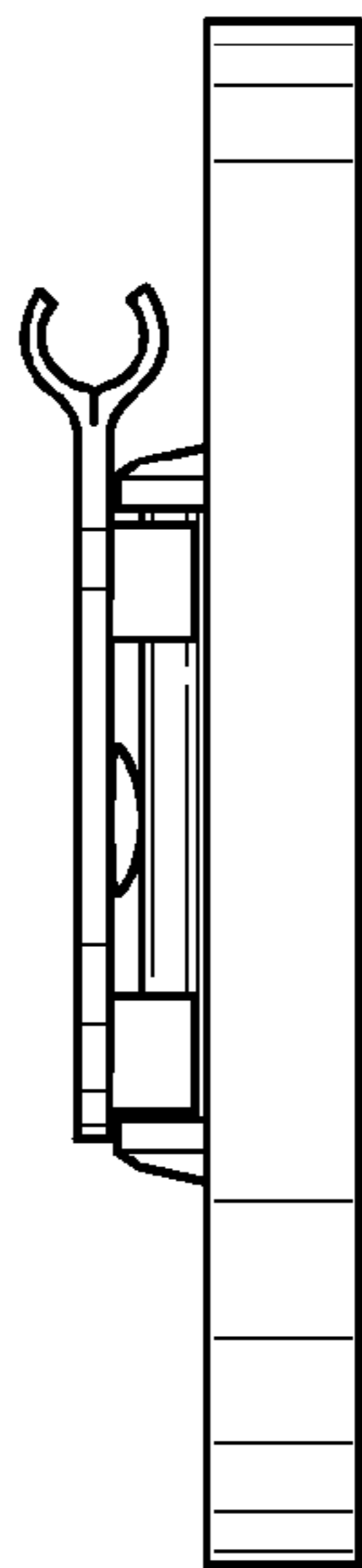


FIG. 37

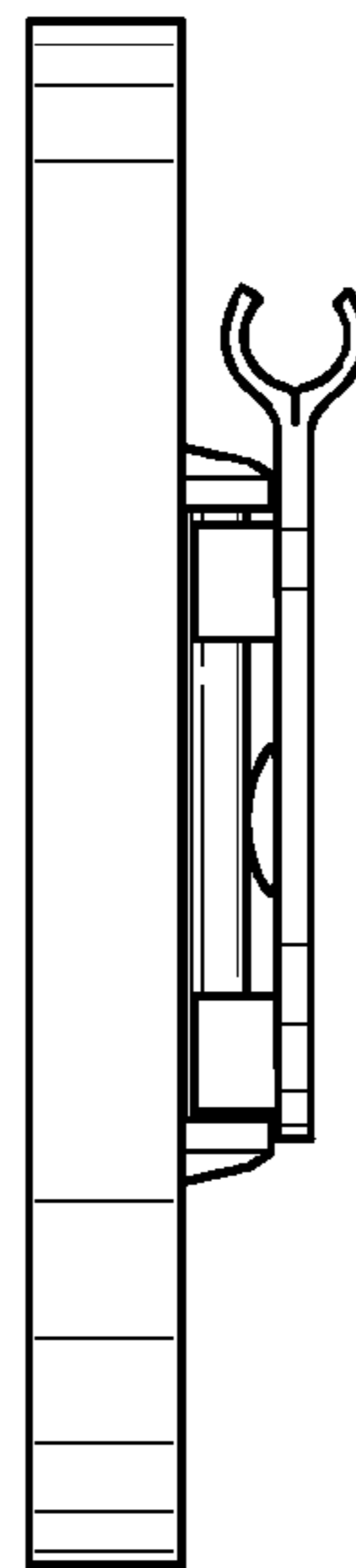


FIG. 38