



US00D558987S

(12) **United States Design Patent**  
**Gildersleeve**

(10) **Patent No.:** **US D558,987 S**

(45) **Date of Patent:** **\*\* Jan. 8, 2008**

(54) **MIRROR ASSEMBLY**

(75) Inventor: **Mark Gildersleeve**, Charlotte, NC (US)

(73) Assignee: **Goody Products, Inc.**, Freeport, IL (US)

(\*\*) Term: **14 Years**

(21) Appl. No.: **29/249,768**

(22) Filed: **Oct. 20, 2006**

(51) **LOC (8) Cl.** ..... **06-07**

(52) **U.S. Cl.** ..... **D6/306; D6/309; D6/310**

(58) **Field of Classification Search** ..... D6/300–314;  
40/700, 341, 358; D20/26, 30, 10, 34; D28/64.1,  
D28/64.3, 64.6

See application file for complete search history.

(56) **References Cited**

**U.S. PATENT DOCUMENTS**

D117,409 S *	10/1939	Warren	.....	D28/64.6
3,179,361 A *	4/1965	O'Brien	.....	248/472
D440,775 S *	4/2001	Hatanaka	.....	D6/306
D477,920 S *	8/2003	McCarty et al.	.....	D6/310
D483,025 S *	12/2003	Heath	.....	D14/167
D488,626 S *	4/2004	Kruger	.....	D6/309
D508,333 S *	8/2005	Cathey	.....	D6/309
D530,523 S *	10/2006	Pitot et al.	.....	D6/308

\* cited by examiner

*Primary Examiner*—Caron D. Veynar  
*Assistant Examiner*—Sydney R. Buffalow

(74) *Attorney, Agent, or Firm*—Marshall, Gerstein & Borun LLP

(57) **CLAIM**

The ornamental design for a “mirror assembly,” as shown and described.

**DESCRIPTION**

FIG. 1 is a front right perspective view of a mirror assembly showing my new design;

FIG. 2 is a front view thereof;

FIG. 3 is a top plan view thereof;

FIG. 4 is a left side elevational view thereof, with the right side being a mirror image of the left side;

FIG. 5 is a rear view thereof;

FIG. 6 is a front right perspective view with the mirror and mirror housing tilted rearward;

FIG. 7 is a front view of the mirror and the mirror housing shown separately for clarity;

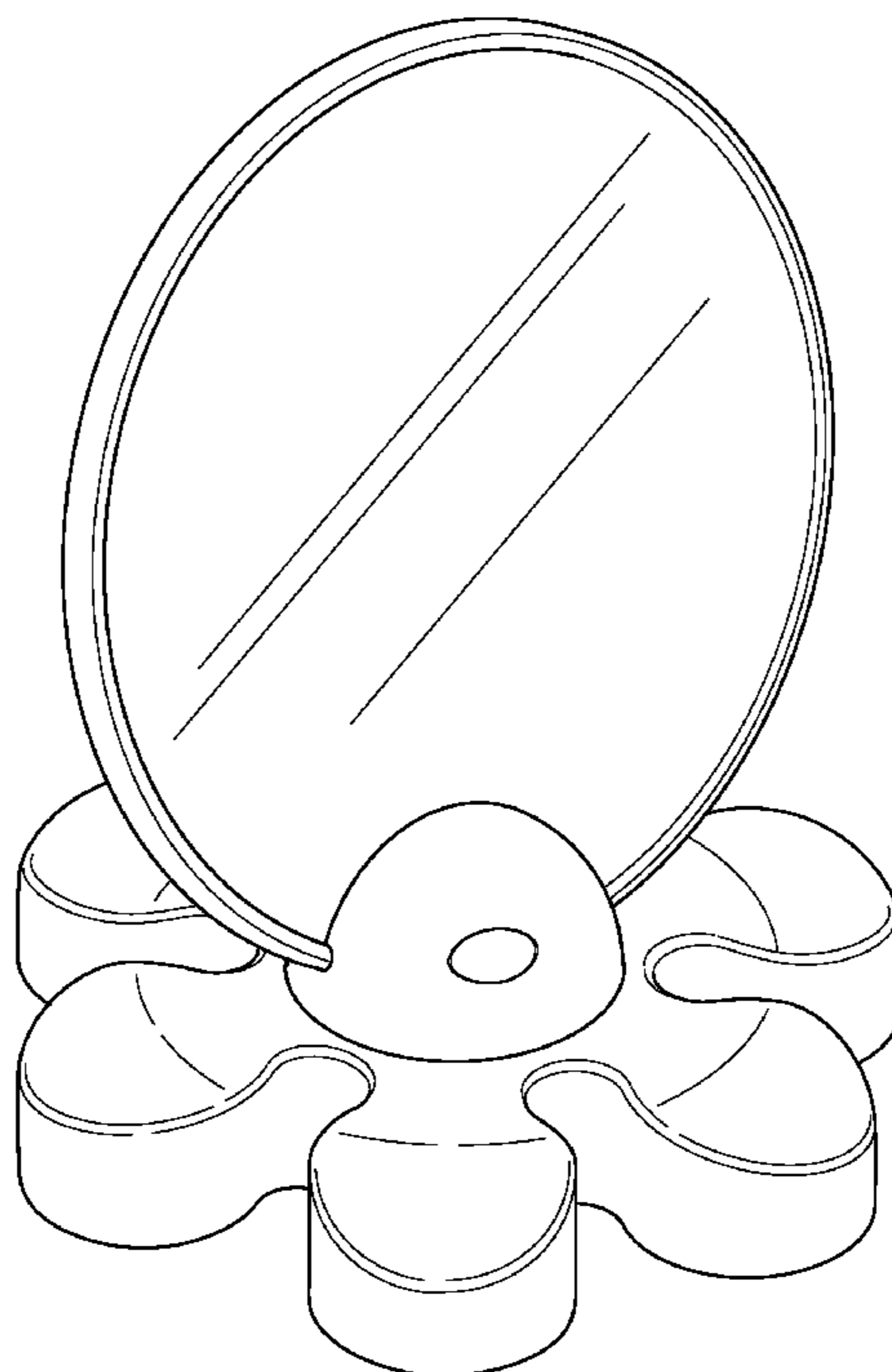
FIG. 8 is a rear view thereof;

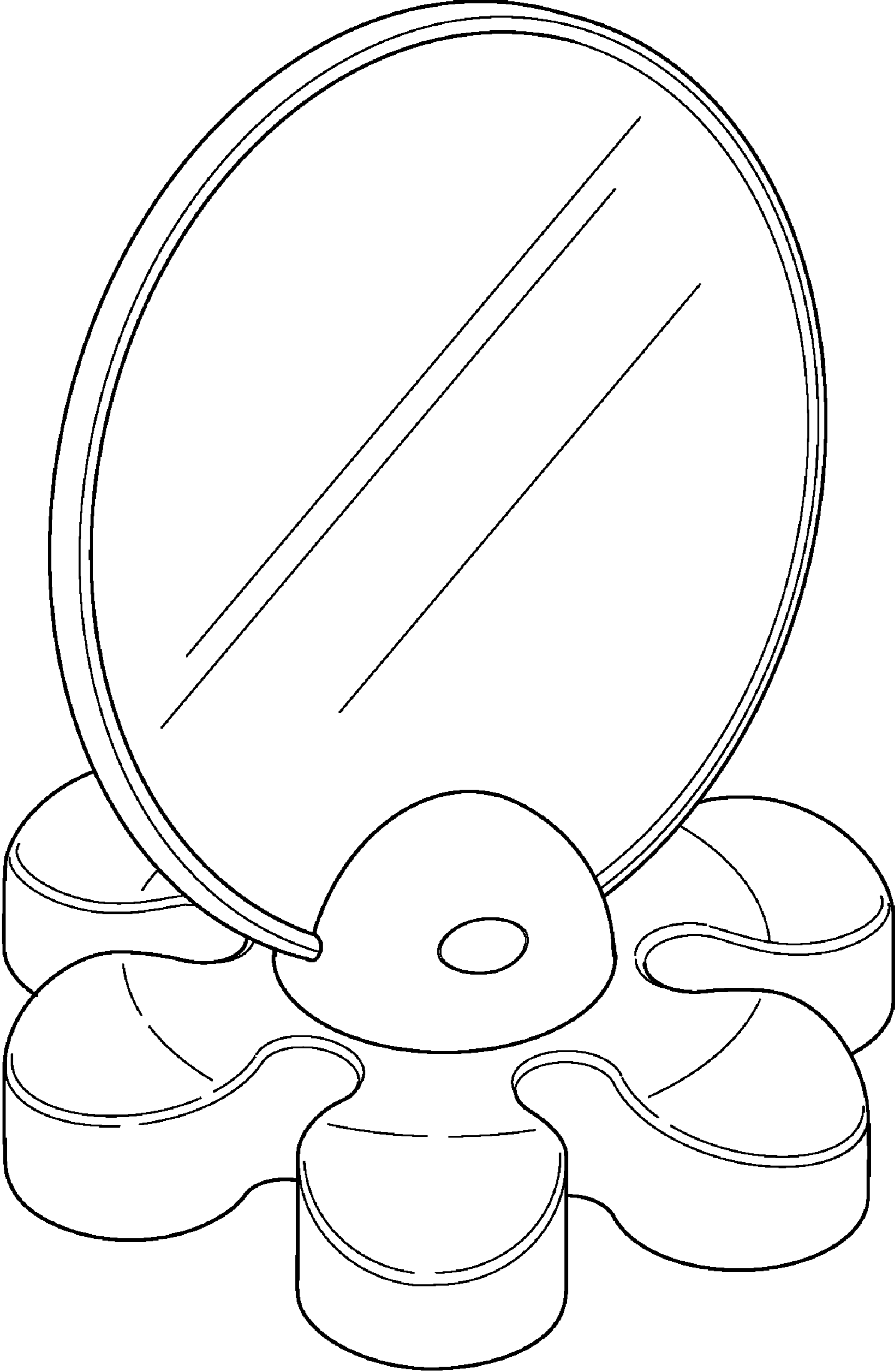
FIG. 9 is a left side elevational view thereof, with the right side being a mirror image of the left side; and,

FIG. 10 is a perspective view of the base of the mirror assembly of FIG. 1 shown separately for clarity.

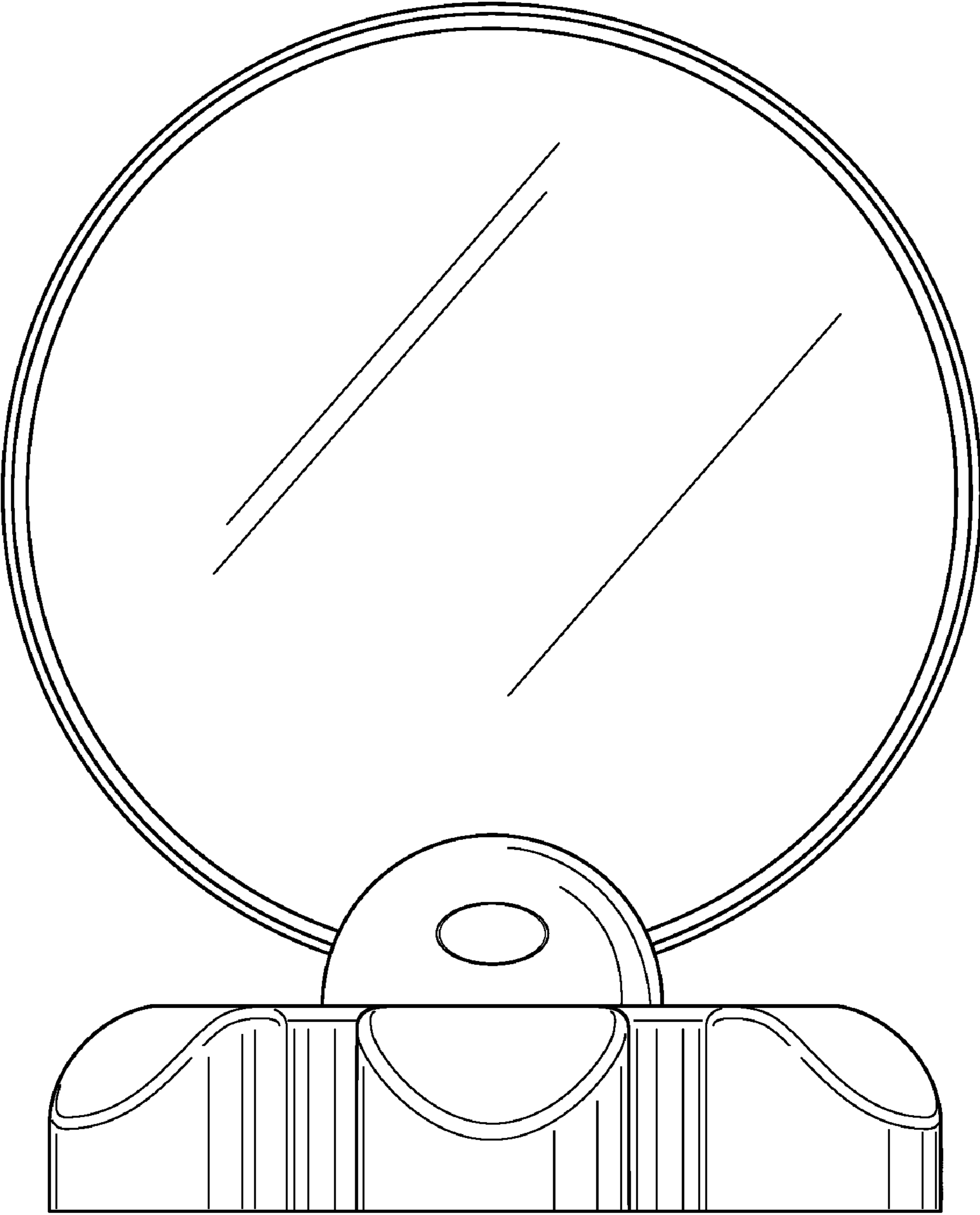
The bottom of the mirror assembly which is not shown in the drawings forms no part of the claimed design.

**1 Claim, 10 Drawing Sheets**

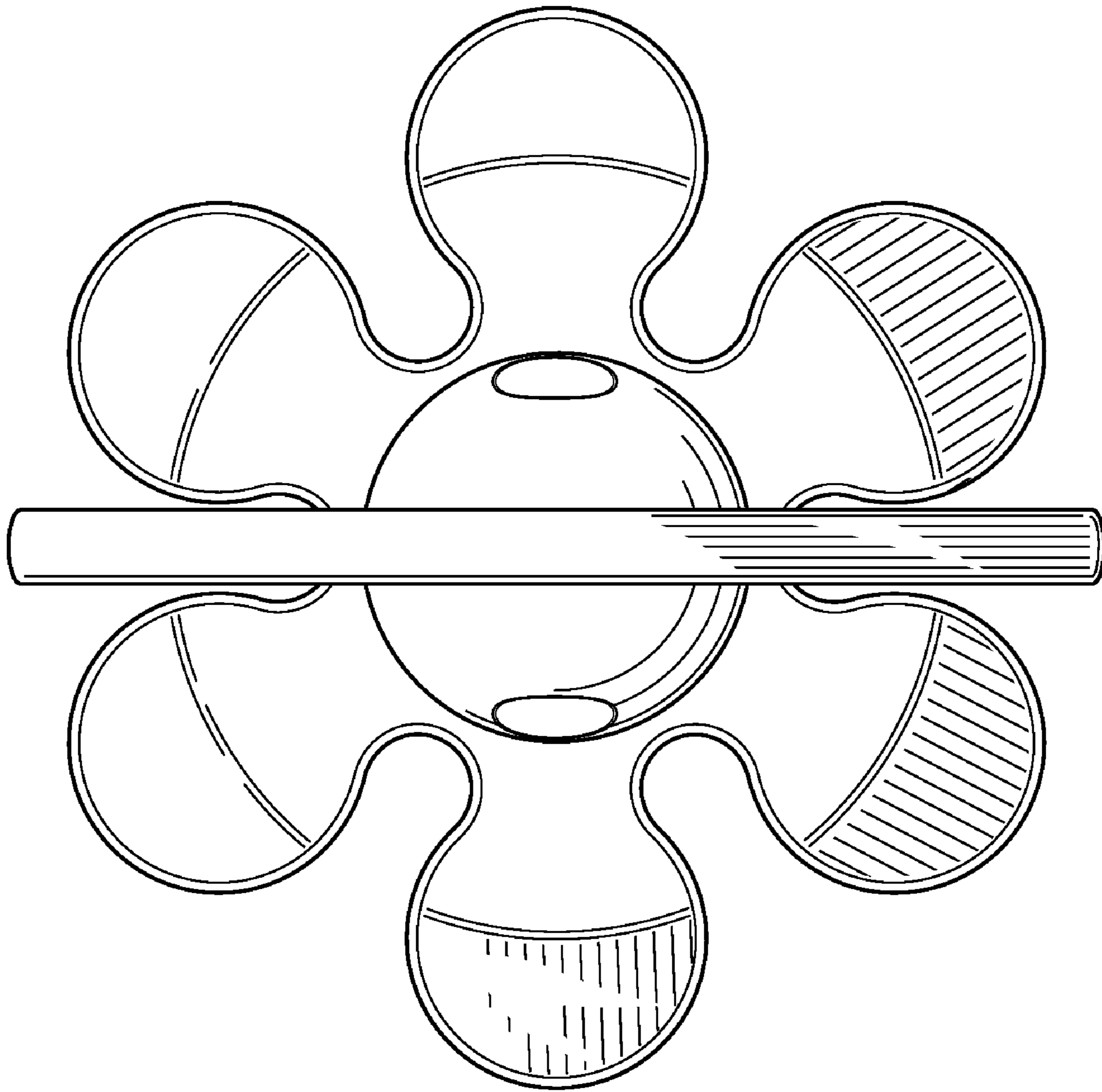




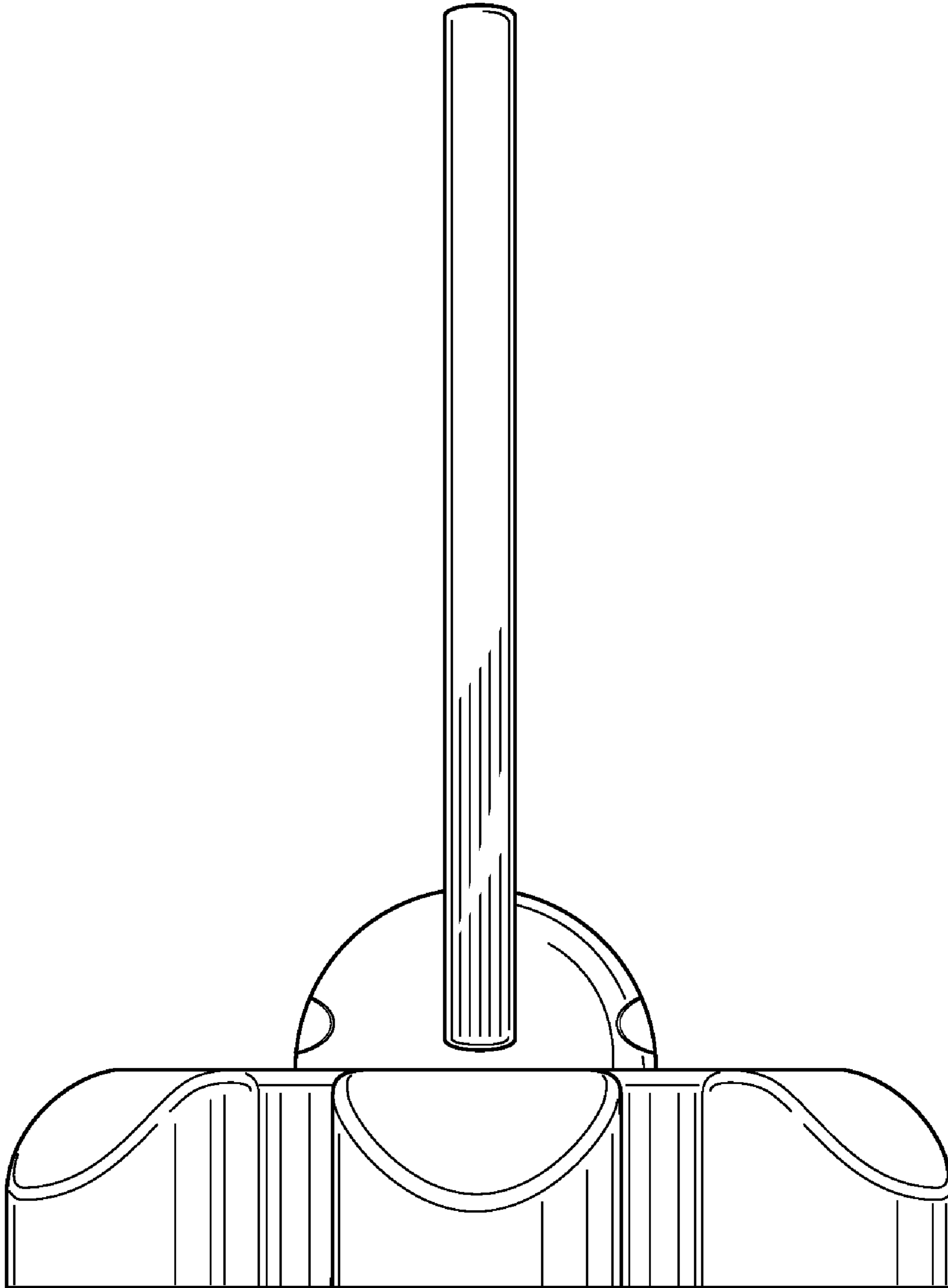
**FIG. 1**



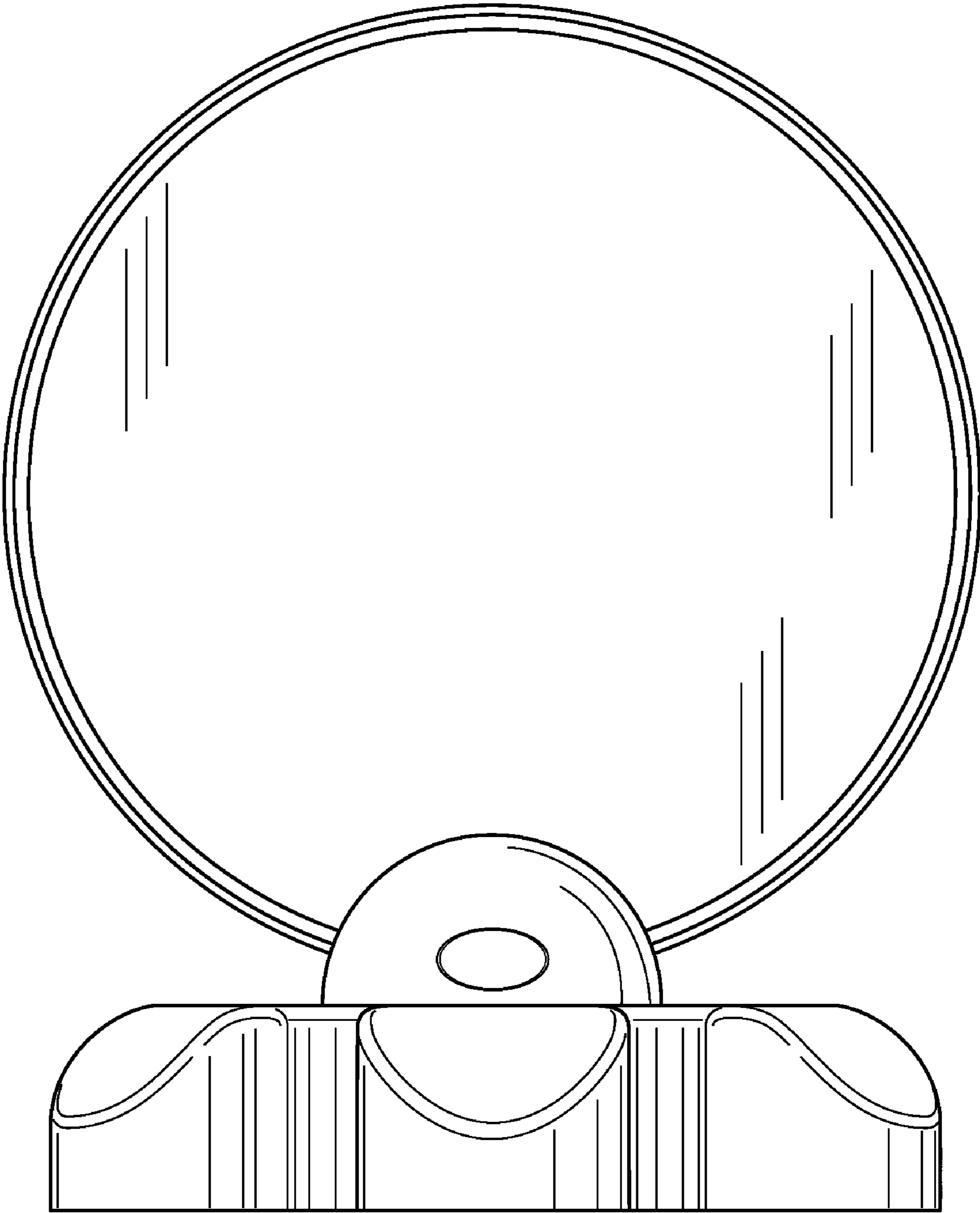
**FIG. 2**



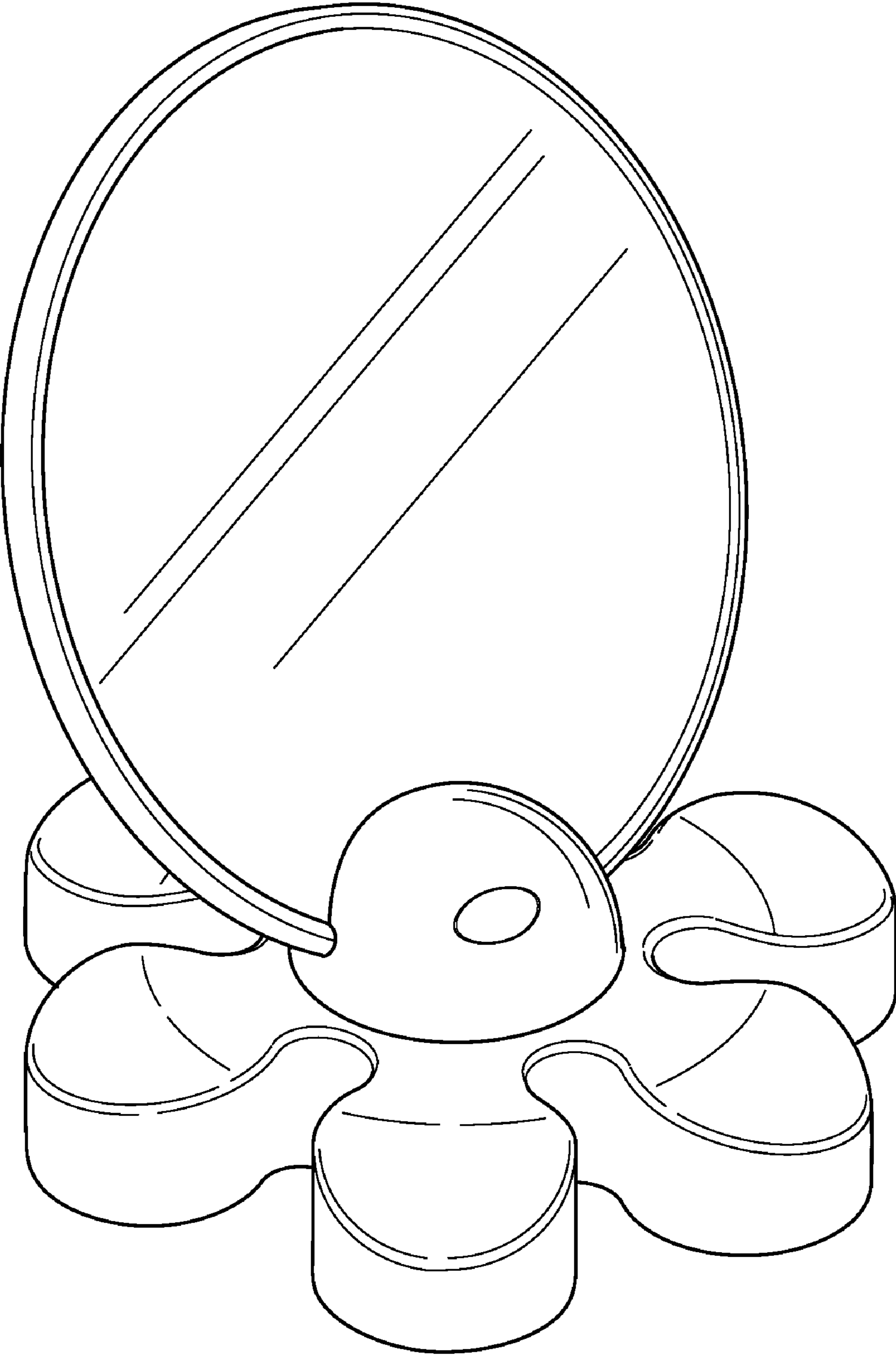
**FIG. 3**



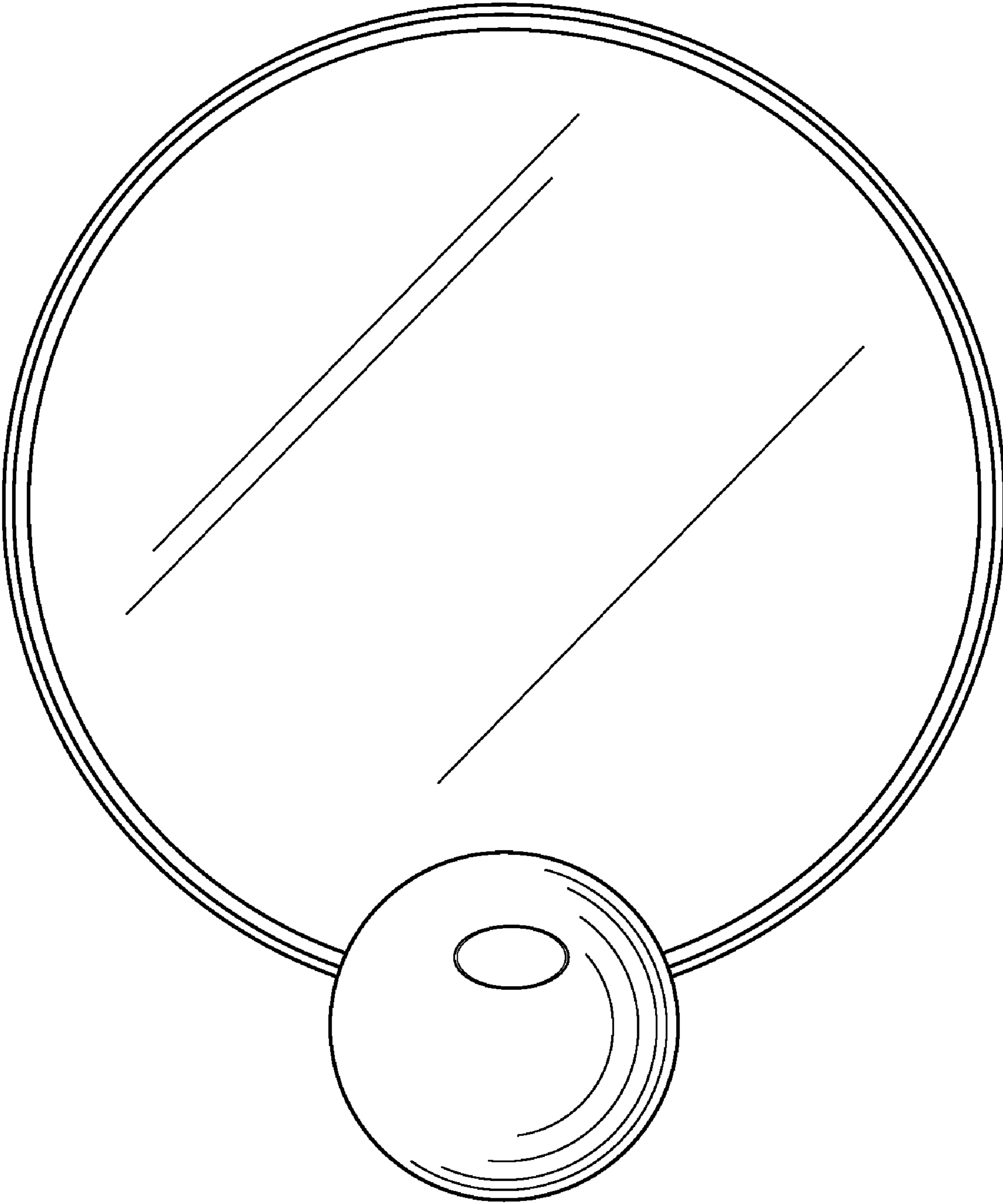
**FIG. 4**



**FIG. 5**

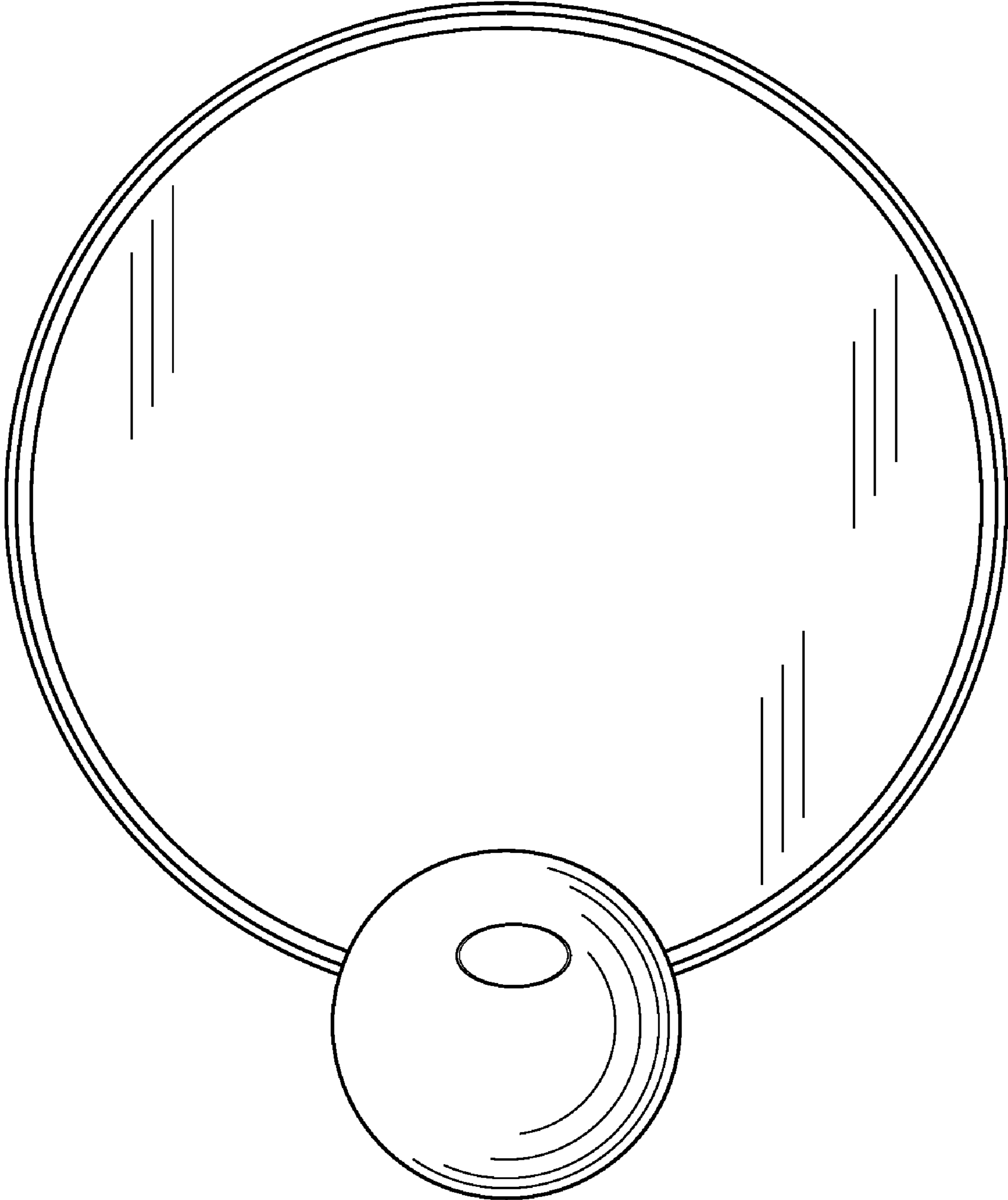


**FIG. 6**

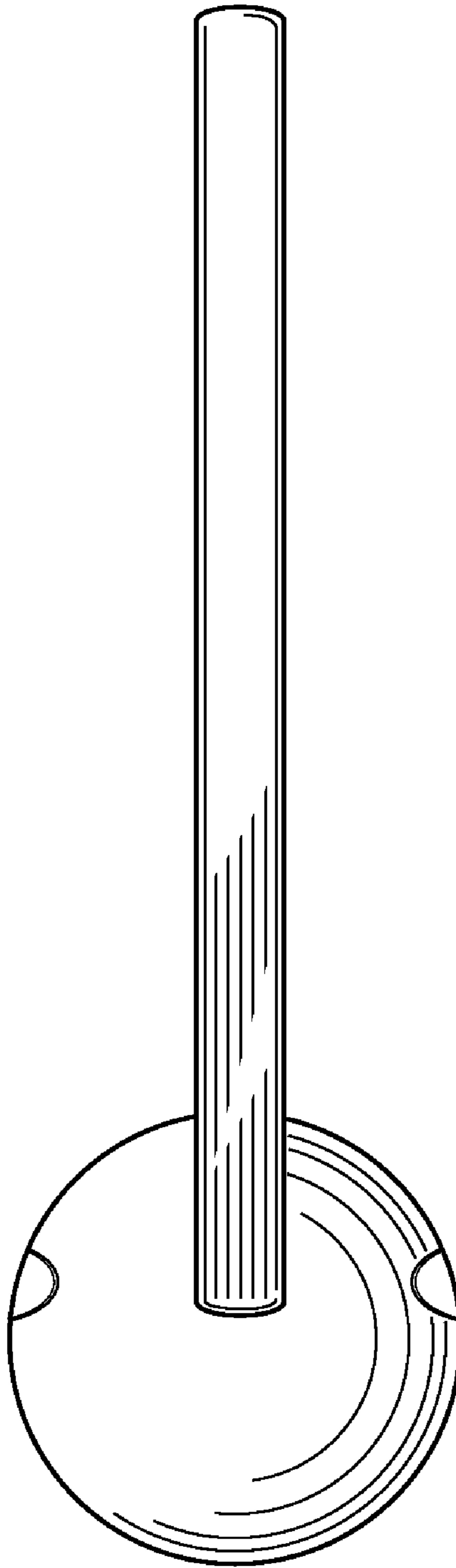


**FIG. 7**

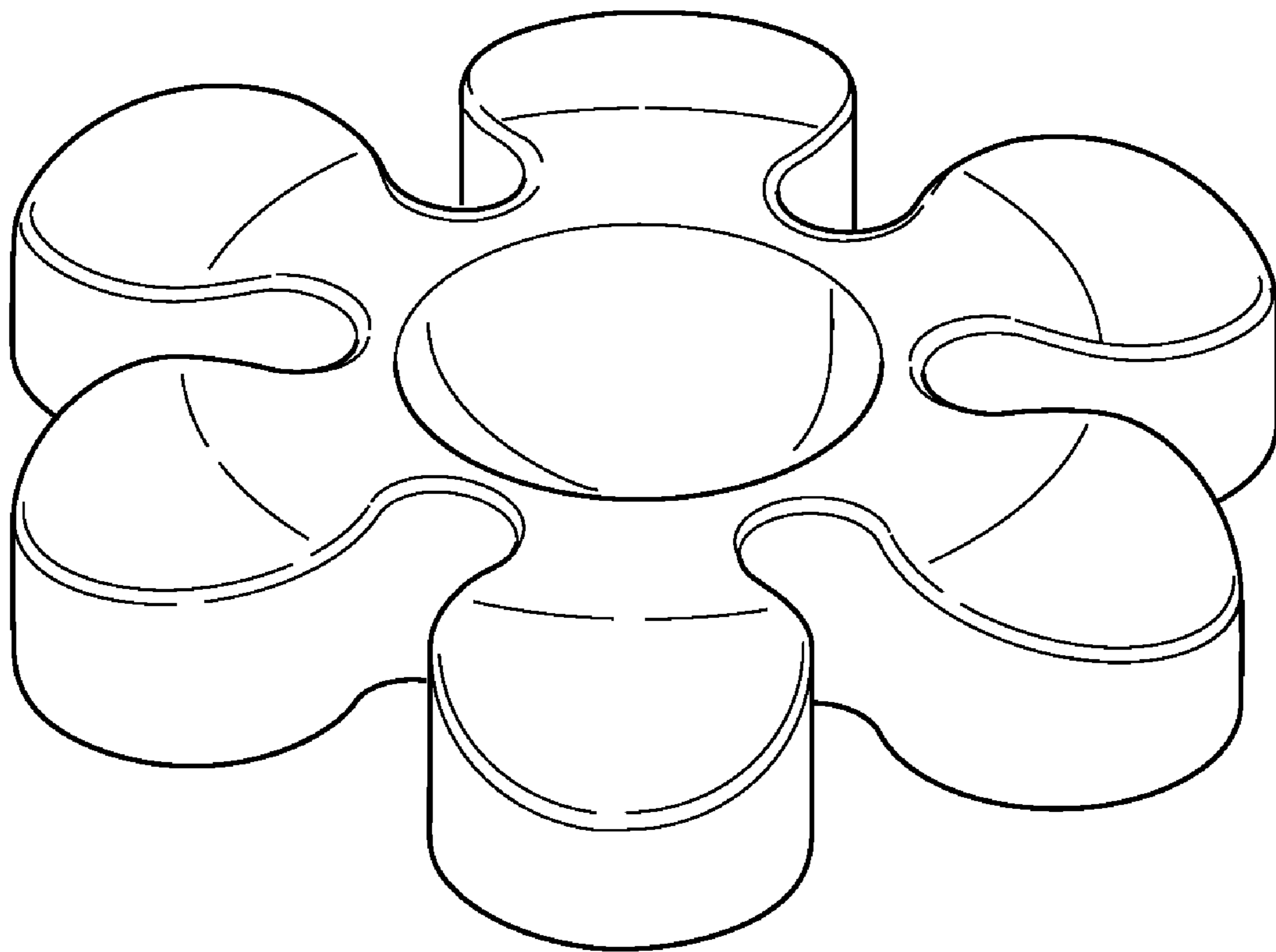




**FIG. 8**



**FIG. 9**



**FIG. 10**