



US00D558986S

(12) **United States Design Patent** (10) **Patent No.:** **US D558,986 S**
Gildersleeve et al. (45) **Date of Patent:** **** Jan. 8, 2008**

(54) **MIRROR ASSEMBLY**

D440,775 S * 4/2001 Hatanaka D6/306
D508,333 S * 8/2005 Cathey D6/309

(75) Inventors: **Mark Gildersleeve**, Charlotte, NC
(US); **Robert Gibson**, Charlotte, NC
(US); **William Riley**, Richmond, VA
(US)

* cited by examiner

Primary Examiner—Caron D. Veynar
Assistant Examiner—Sydney R. Buffalow
(74) *Attorney, Agent, or Firm*—Marshall, Gerstein & Borun
LLP

(73) Assignee: **Goody Products, Inc.**, Freeport, IL
(US)

(**) Term: **14 Years**

(57) **CLAIM**

(21) Appl. No.: **29/249,763**

The ornamental design for a “mirror assembly,” as shown
and described.

(22) Filed: **Oct. 20, 2006**

DESCRIPTION

(51) **LOC (8) Cl.** **06-07**

(52) **U.S. Cl.** **D6/306; D6/449; D6/309**

(58) **Field of Classification Search** D6/300–314,
D6/449; 40/152, 152.1, 700, 341, 358; D20/10,
D20/26, 30, 34; D28/64.1, 64.3, 64.6
See application file for complete search history.

FIG. 1 is a front right perspective view of a mirror assembly
showing our new design;

FIG. 2 is a front view thereof;

FIG. 3 is a top plan view thereof;

FIG. 4 is a rear view thereof;

FIG. 5 is a left side elevational view thereof; and,

FIG. 6 is a right side elevational view thereof.

The bottom of the mirror assembly which is not shown in the
drawings and the written matter on the front of the mirror
assembly form no part of the claimed design.

(56) **References Cited**

U.S. PATENT DOCUMENTS

D205,822 S * 9/1966 Lederman D6/306
5,255,457 A * 10/1993 Lipson 40/744
D368,233 S * 3/1996 Spickelmier D11/117
5,617,663 A 4/1997 Miki et al. 40/738
D425,313 S * 5/2000 Zadro D6/309

1 Claim, 5 Drawing Sheets

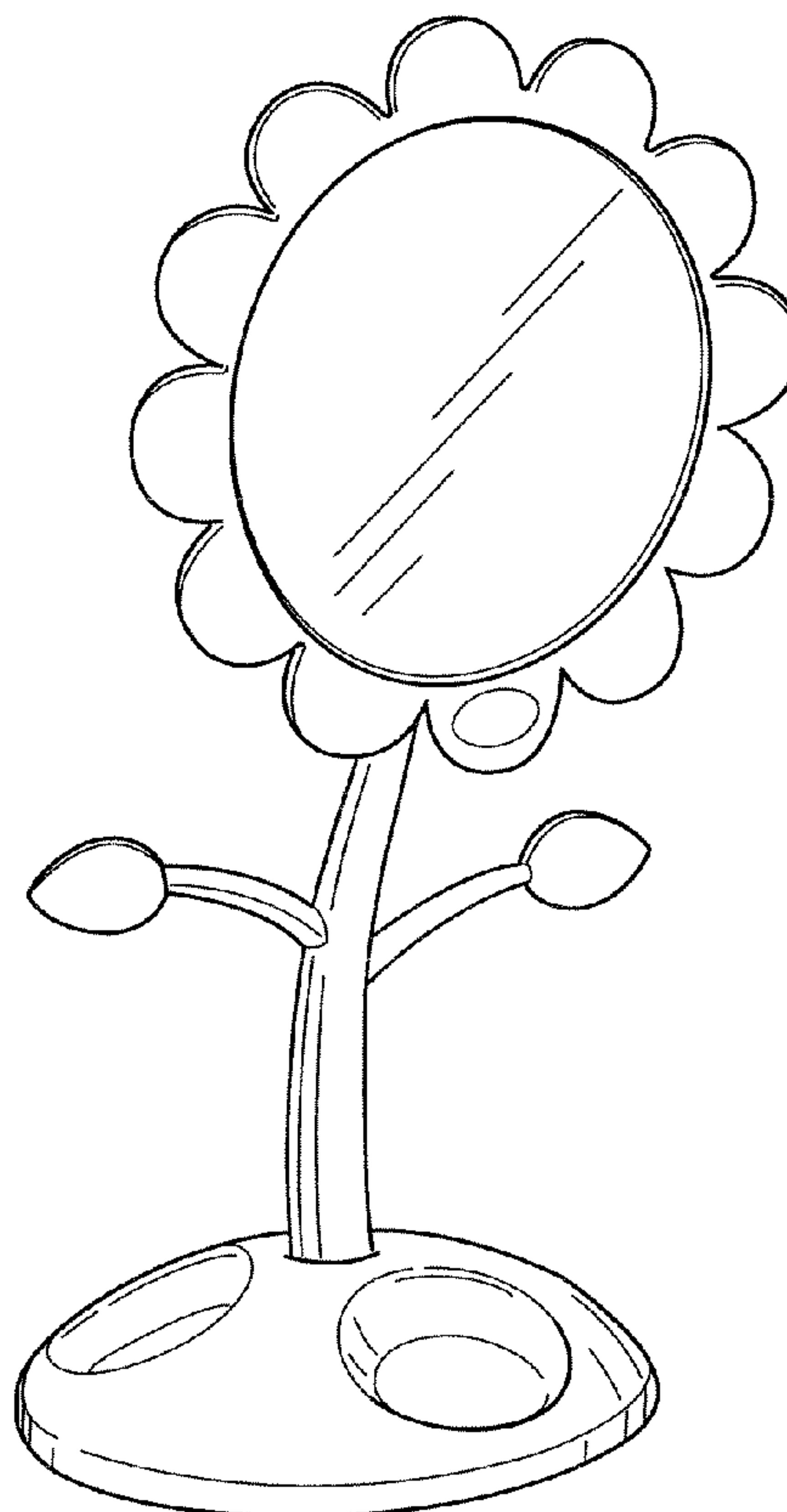


FIG. 1

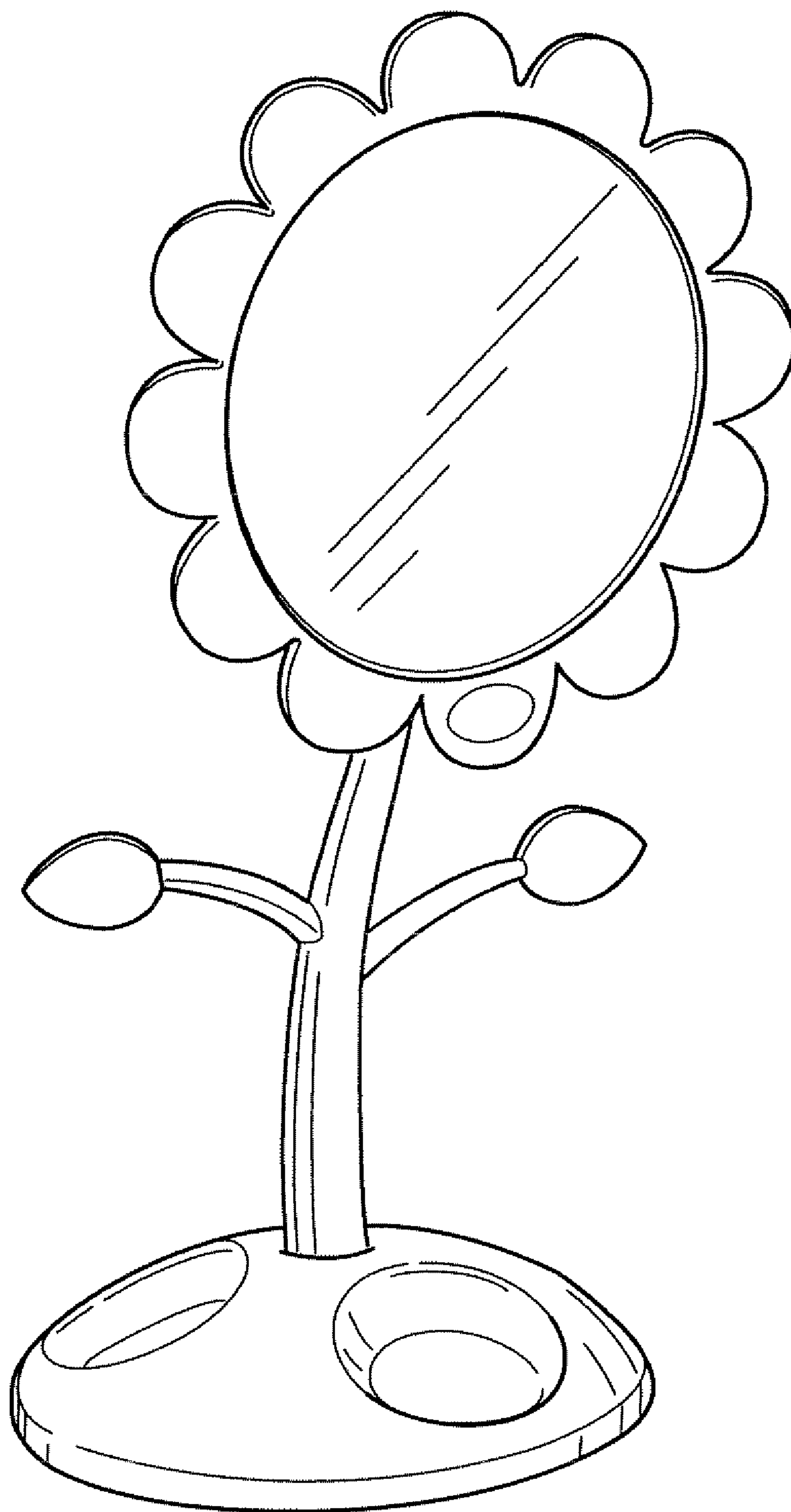


FIG. 2

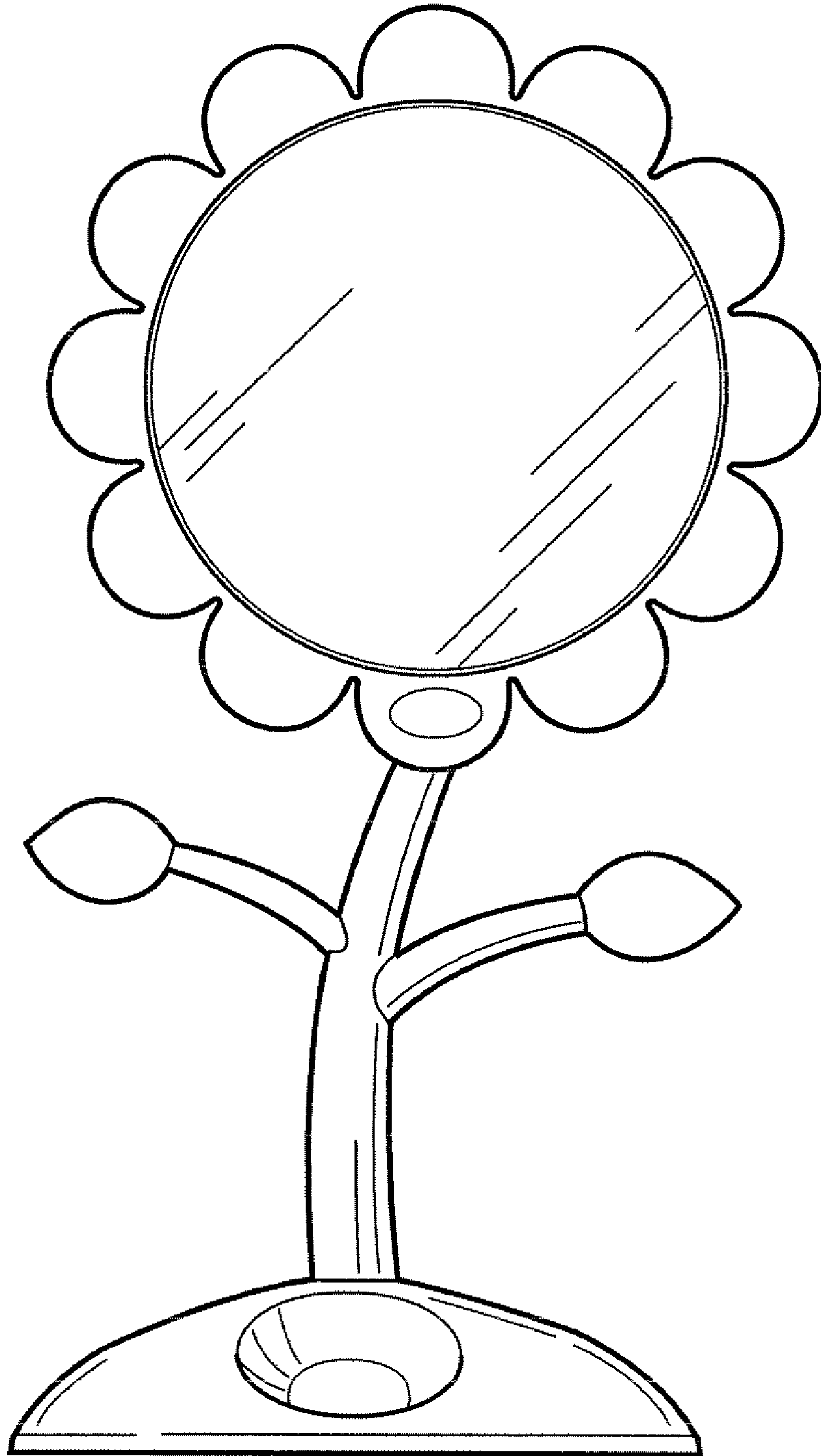


FIG. 3

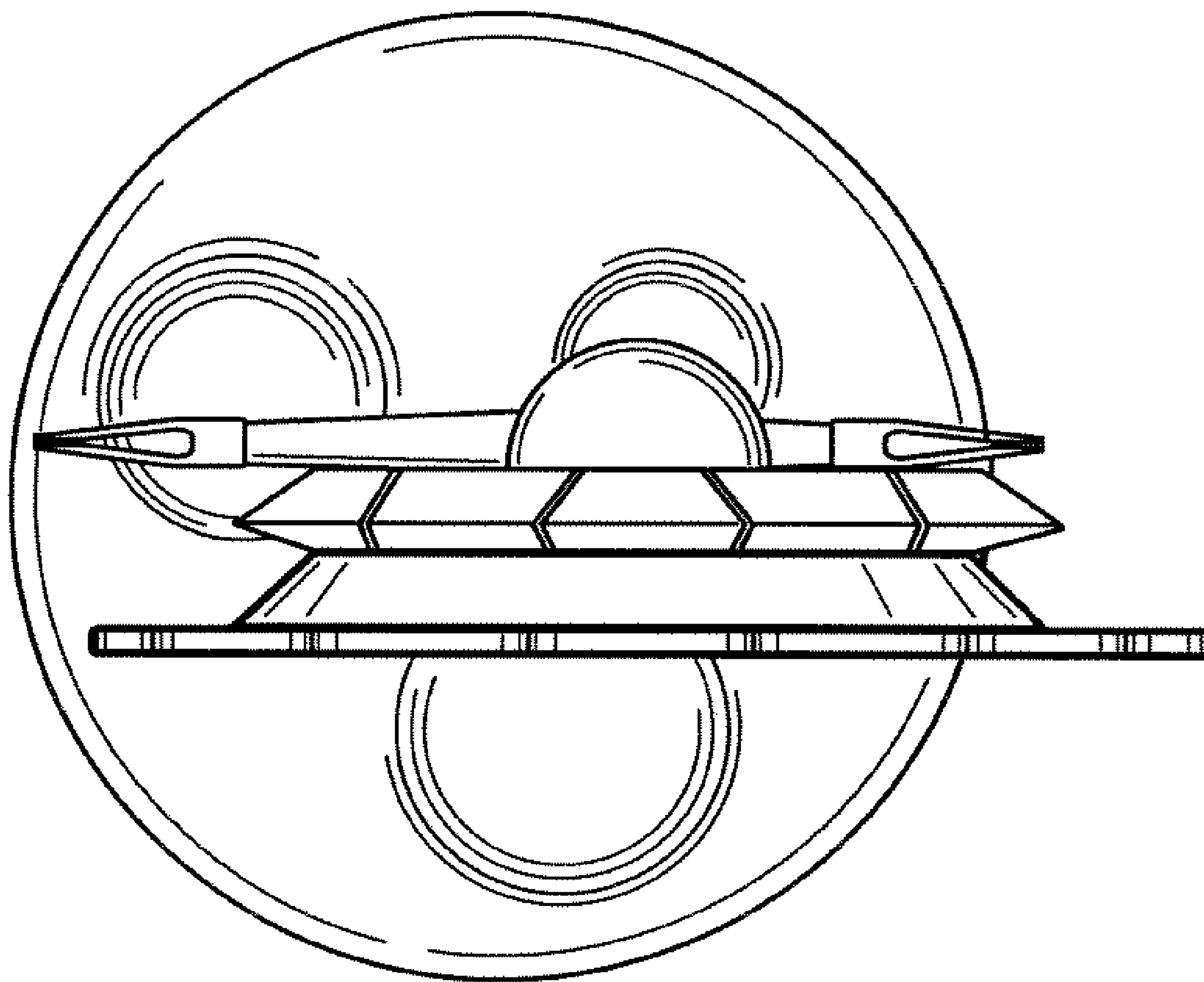


FIG. 4

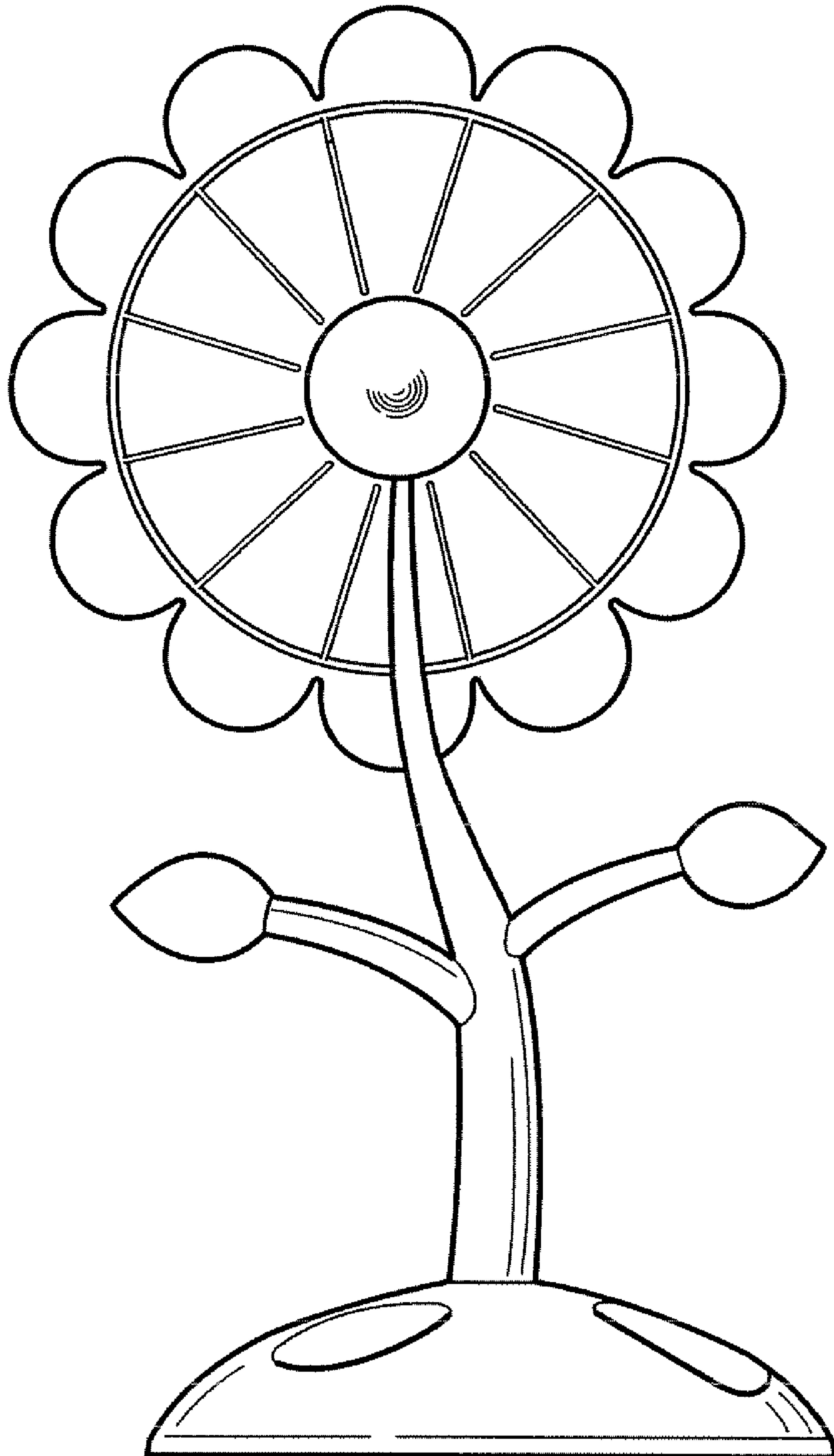


FIG. 5

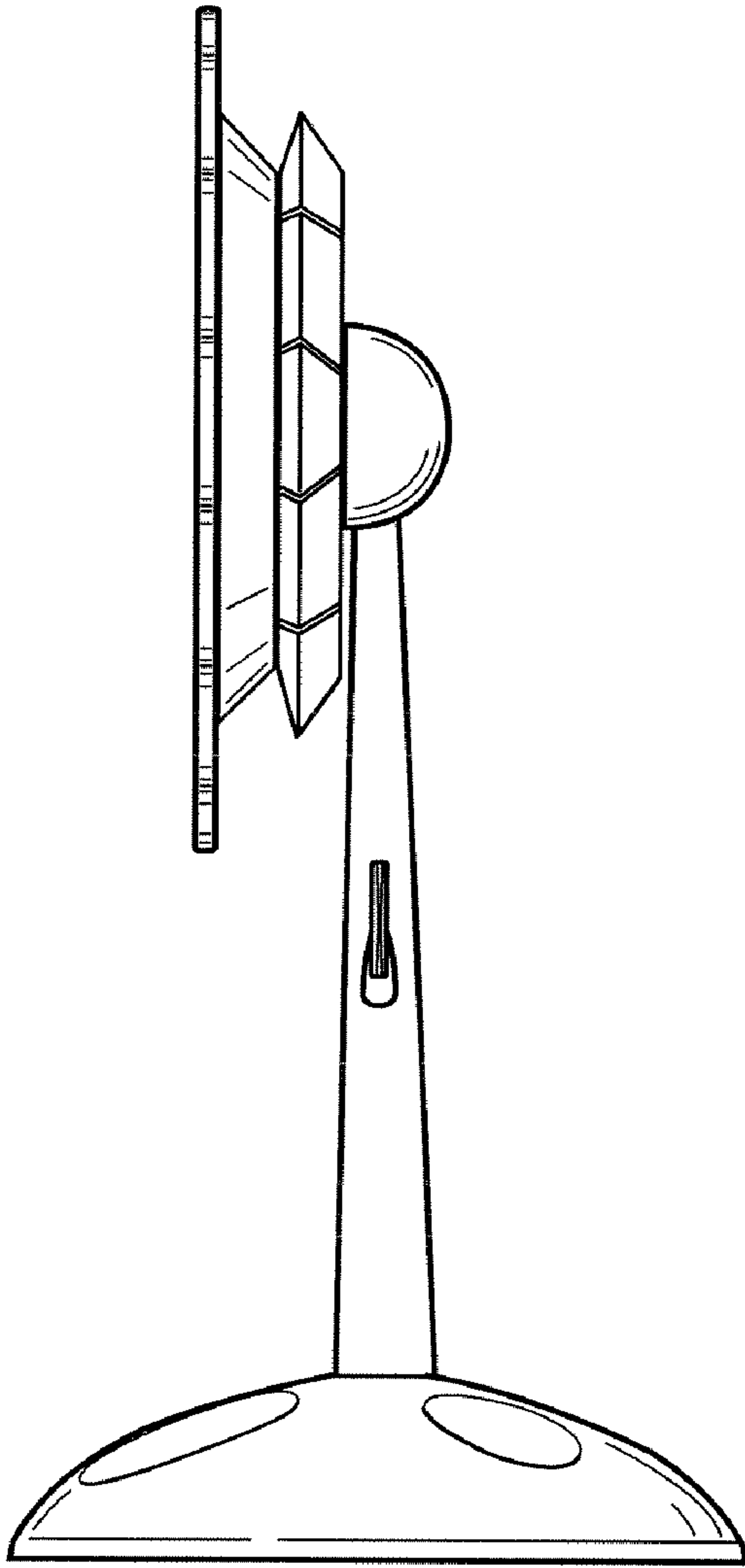


FIG. 6

