



US00D558985S

(12) **United States Design Patent**
Defenbaugh et al.

(10) **Patent No.:** **US D558,985 S**
(45) **Date of Patent:** **** Jan. 8, 2008**

(54) **MIRROR ASSEMBLY**

(75) Inventors: **Michael Defenbaugh**, Marietta, GA (US); **Robert Gibson**, Charlotte, NC (US); **Aaron Hawkins**, Charlotte, NC (US); **William Myles Riley**, Richmond, VA (US); **Sean Derek Anderson**, Powhatan, VA (US)

(73) Assignee: **Goody Products, Inc.**, Freeport, IL (US)

(**) Term: **14 Years**

(21) Appl. No.: **29/277,305**

(22) Filed: **Feb. 21, 2007**

(51) **LOC (8) Cl.** **06-04**

(52) **U.S. Cl.** **D6/300; D6/553**

(58) **Field of Classification Search** D6/300,
D6/301, 303, 308, 310, 312, 553; D3/218,
D3/203.2, 230; D14/224, 238, 251, 250,
D14/434, 432, 142, 253, 217, 496, 336, 341,
D14/345, 240, 252; D27/187; D19/90, 85;
D16/135; 359/870; 40/597, 700, 717, 725,
40/745, 709, 721

See application file for complete search history.

(56) **References Cited**

U.S. PATENT DOCUMENTS

D163,865 S * 7/1951 Griffith D27/187
4,529,278 A * 7/1985 Nugent 359/870
D280,574 S * 9/1985 Kladitis D6/300
D320,991 S * 10/1991 Nagai et al. D14/251
D321,885 S * 11/1991 Shel Drake D14/253

(Continued)

Primary Examiner—Caron D. Veynar
Assistant Examiner—Sydney R. Buffalow
(74) *Attorney, Agent, or Firm*—Marshall, Gerstein & Borun
LLP

(57) **CLAIM**

The ornamental design for “mirror assembly,” as shown and described.

DESCRIPTION

FIG. 1 is a perspective view from the front and left of a mirror assembly having our new design, wherein the mirror is located on the front of the cup of the mirror assembly;

FIG. 2 is a perspective view from the rear and left side thereof;

FIG. 3 is a front view thereof;

FIG. 4 is a rear view thereof;

FIG. 5 is a left side elevational view with the right side being a mirror image thereof;

FIG. 6 is a top view thereof;

FIG. 7 is a bottom view thereof;

FIG. 8 is a perspective view of the mirror housing of FIG. 1 shown separately for ease of illustration;

FIG. 9 is a perspective view from the rear and left side thereof;

FIG. 10 is a front view thereof;

FIG. 11 is a rear view thereof;

FIG. 12 is a left side elevational view with the right side being a mirror image thereof;

FIG. 13 is a top view thereof;

FIG. 14 is a bottom view thereof;

FIG. 15 is a perspective view of the mounting bracket of FIG. 1 shown separately for ease of illustration;

FIG. 16 is a perspective view from the rear and left side thereof;

FIG. 17 is a front view thereof;

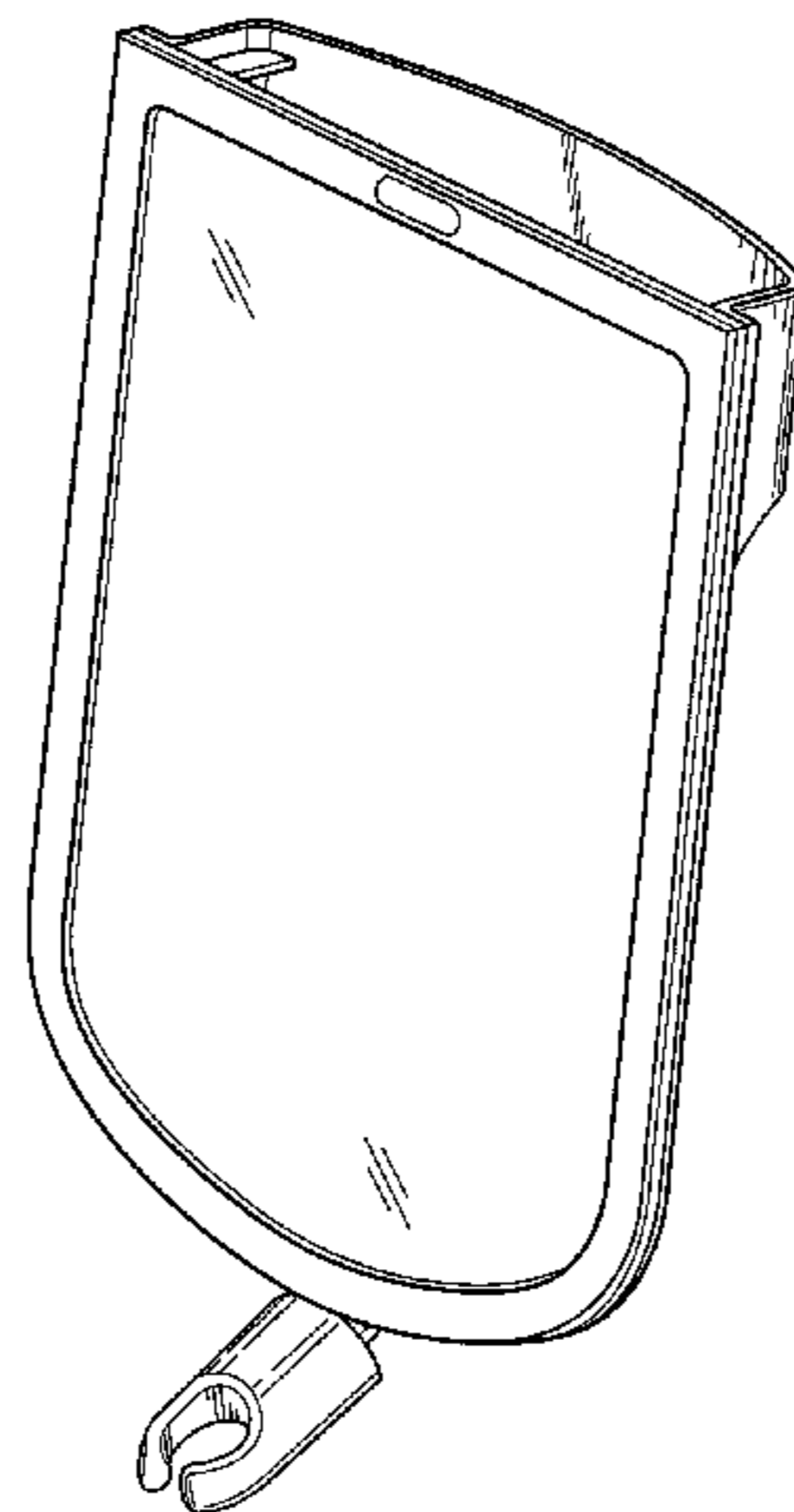
FIG. 18 is a rear view thereof;

FIG. 19 is a left side elevational view with the right side being a mirror image thereof;

FIG. 20 is a top view thereof; and,

FIG. 21 is a bottom view thereof.

1 Claim, 21 Drawing Sheets



US D558,985 S

Page 2

U.S. PATENT DOCUMENTS

D328,909 S *	8/1992	Sakurai	D16/135	D454,340 S *	3/2002	Grimm	D14/240
D336,375 S *	6/1993	Cohn et al.	D6/310	D465,933 S *	11/2002	Henderson et al.	D6/309
D342,523 S *	12/1993	Morgan et al.	D14/250	D469,761 S *	2/2003	Nussberger	D14/341
D371,137 S *	6/1996	Kriegh	D14/253	D485,306 S *	1/2004	Sheldon et al.	D19/85
D378,020 S *	2/1997	Hatt	D3/218	D499,091 S *	11/2004	Taylor et al.	D14/252
D404,197 S *	1/1999	Dobbins	D3/230	D501,307 S *	2/2005	Sterns	D3/203.2
D410,495 S *	6/1999	Wear	D19/90	D515,310 S *	2/2006	Liu et al.	D3/218
D419,808 S *	2/2000	Hampshire	D6/553	D521,990 S *	5/2006	Richter	D14/253

* cited by examiner

FIG. 1

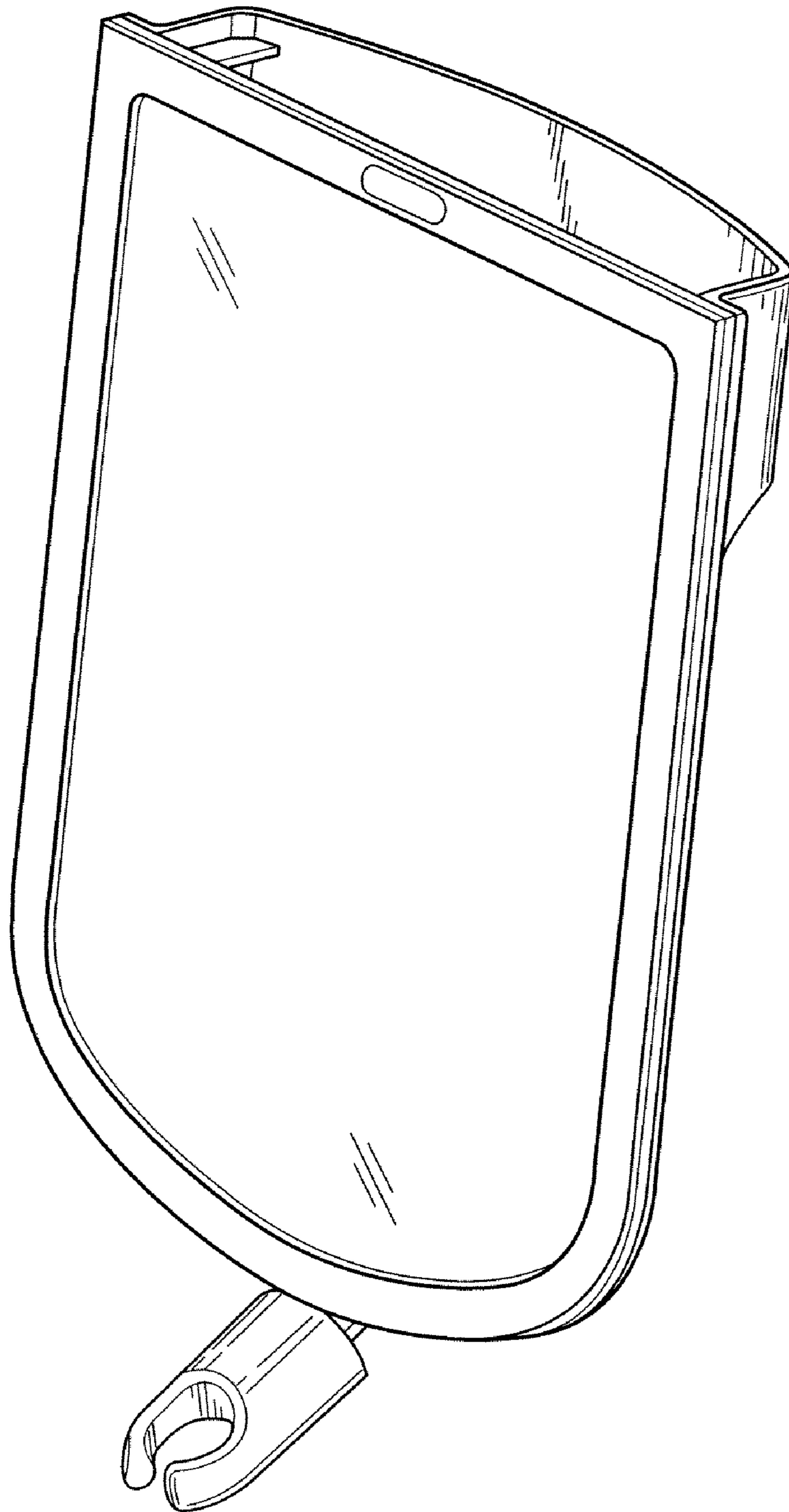


FIG. 2

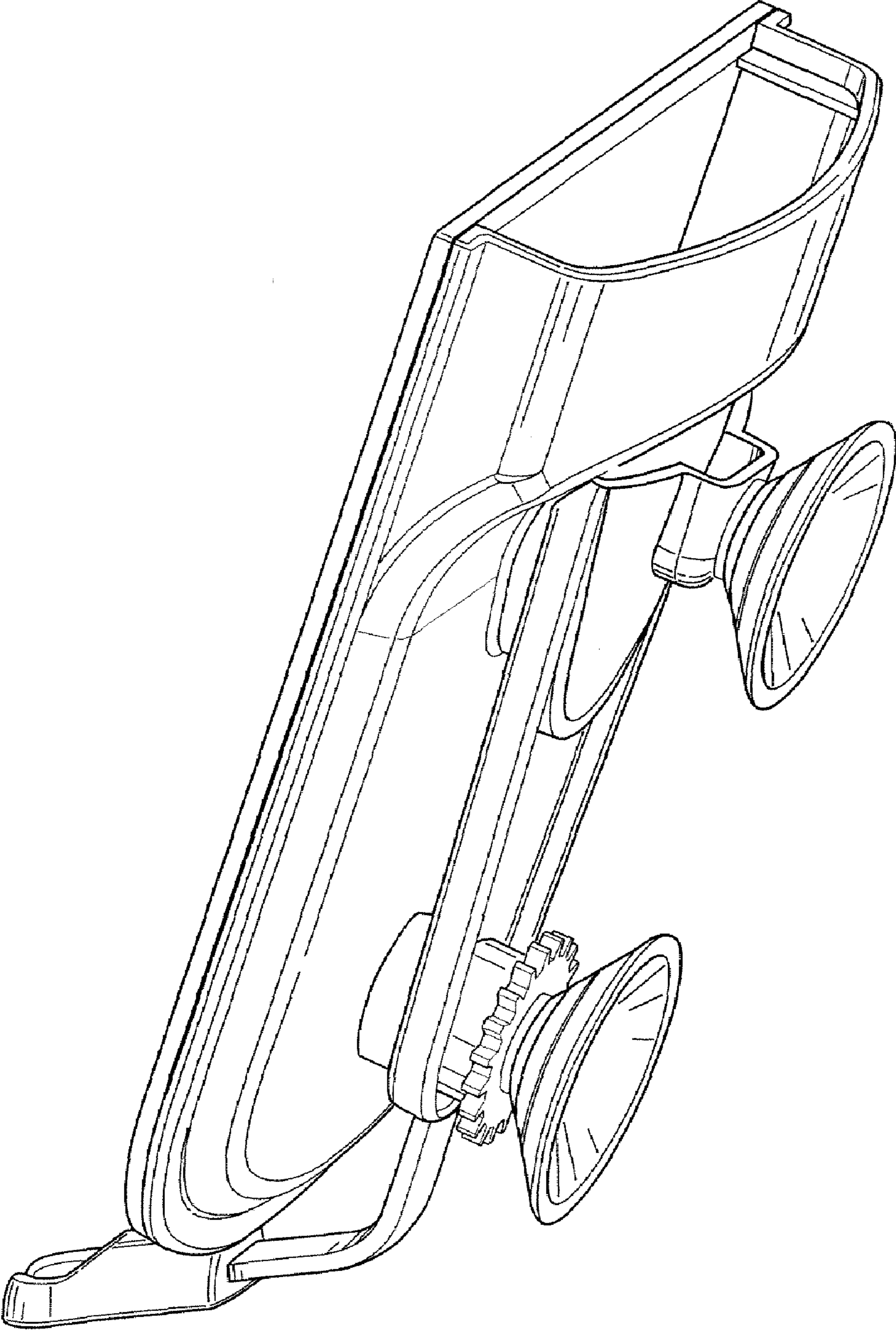


FIG. 3

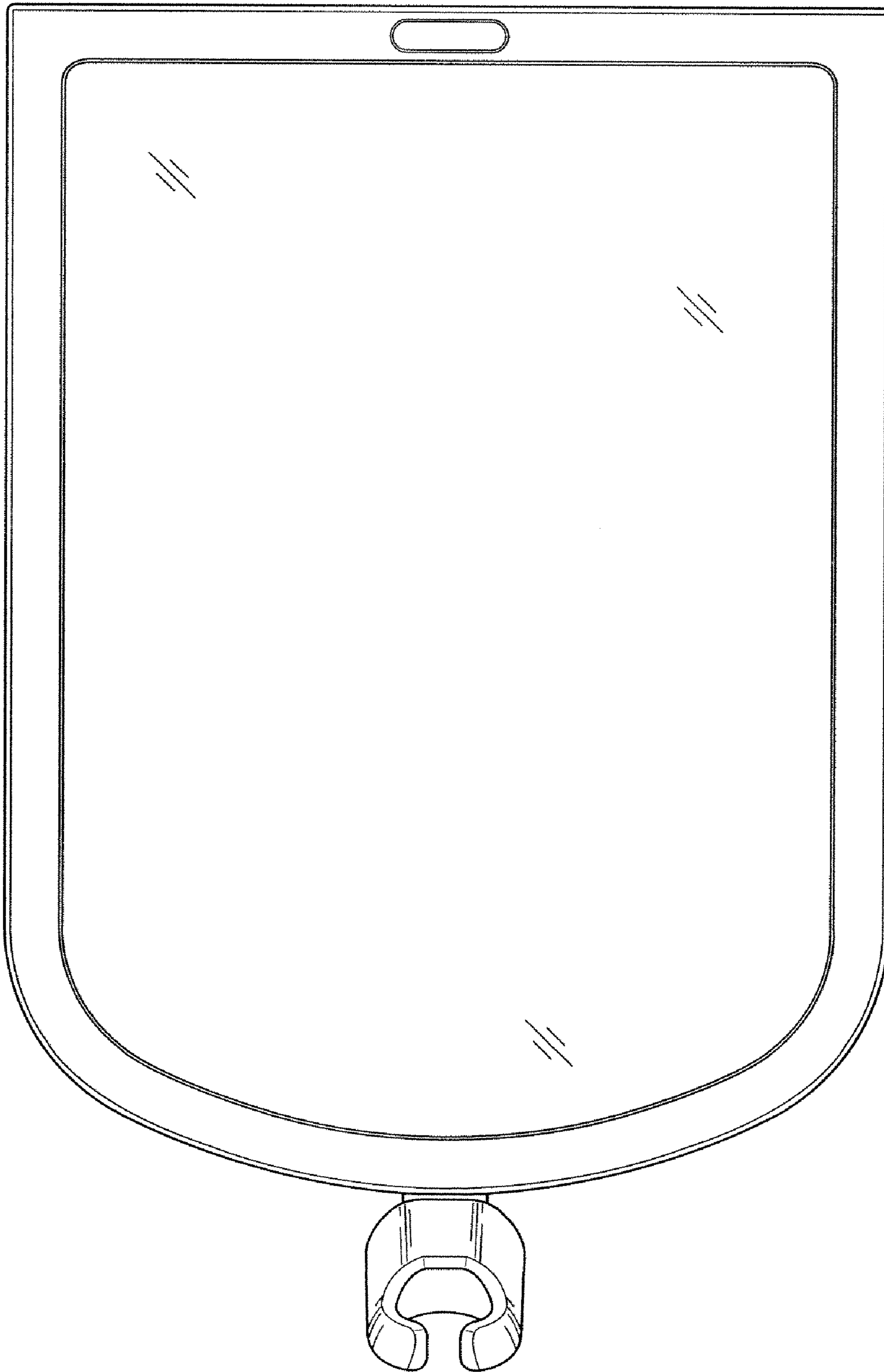


FIG. 4

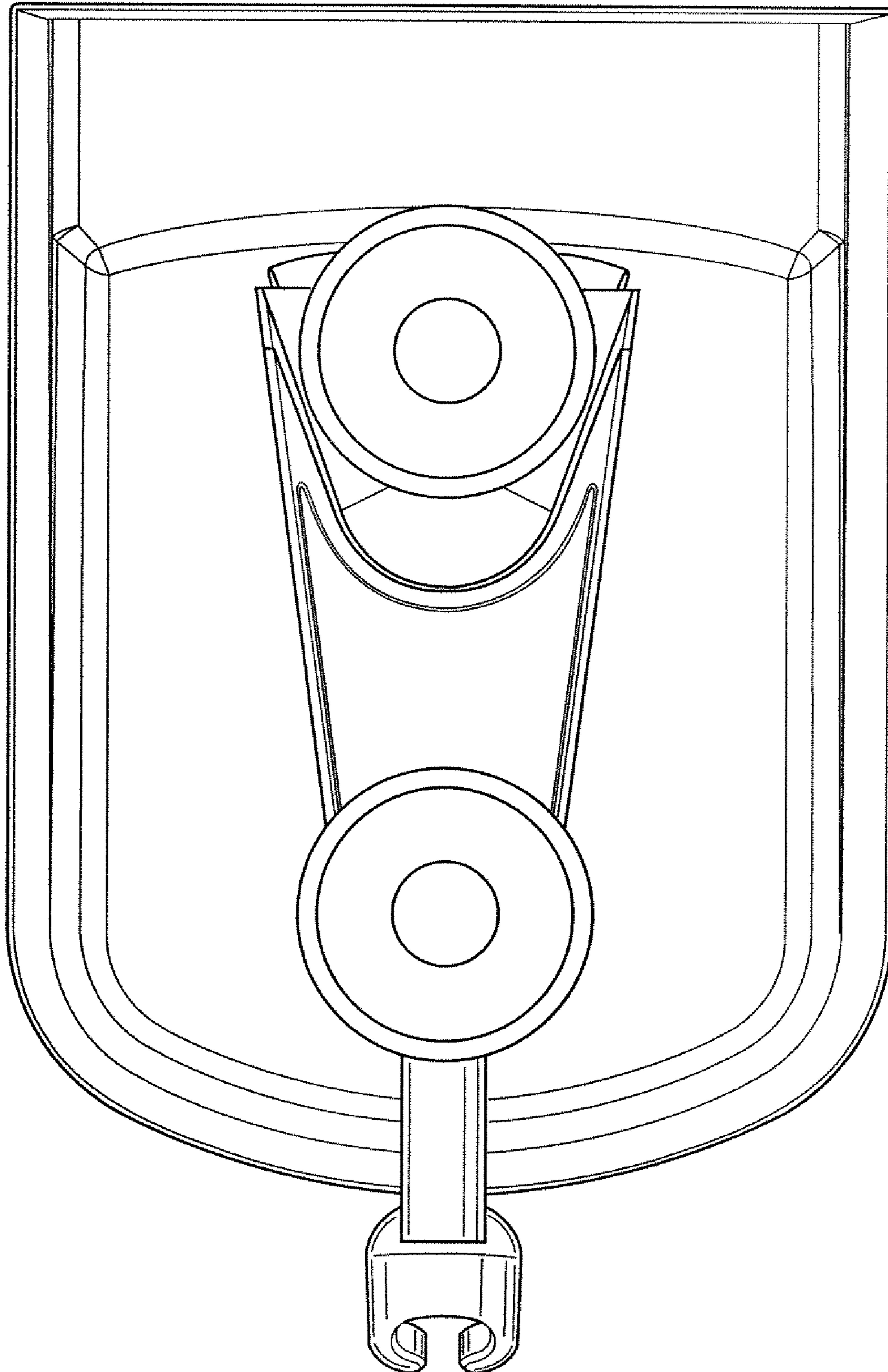


FIG. 5

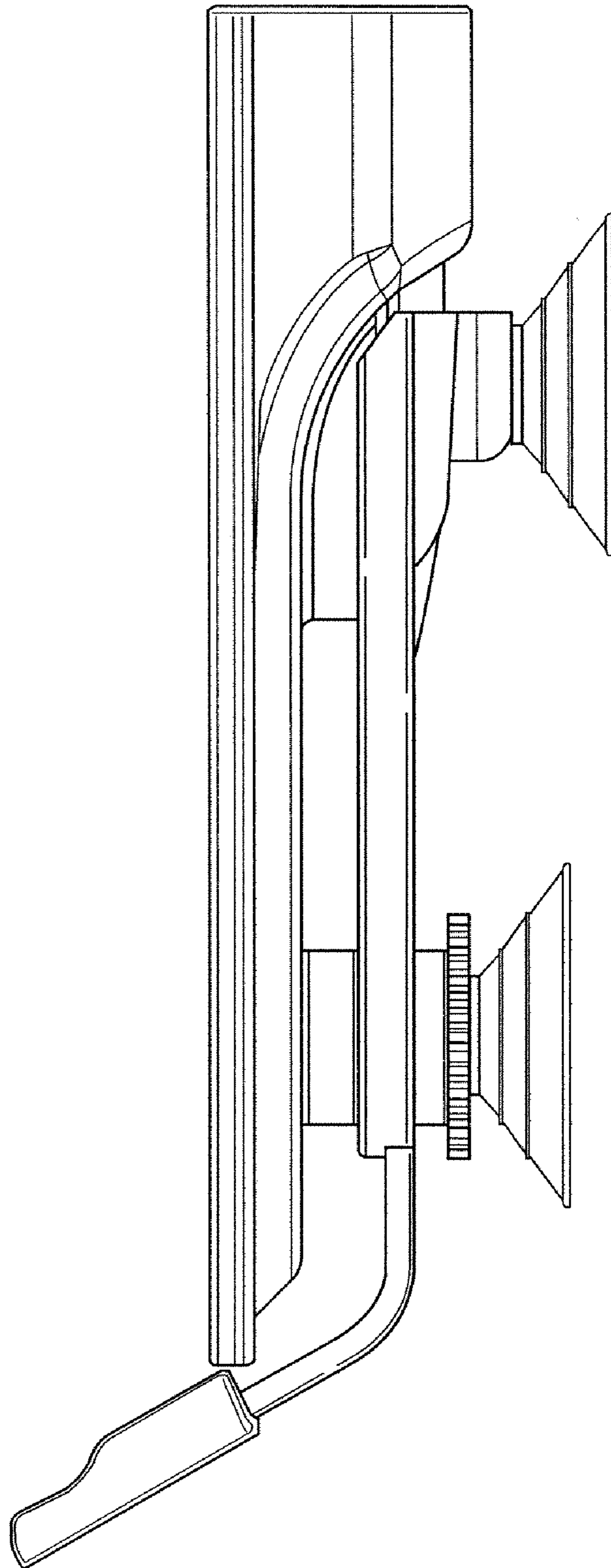


FIG. 6

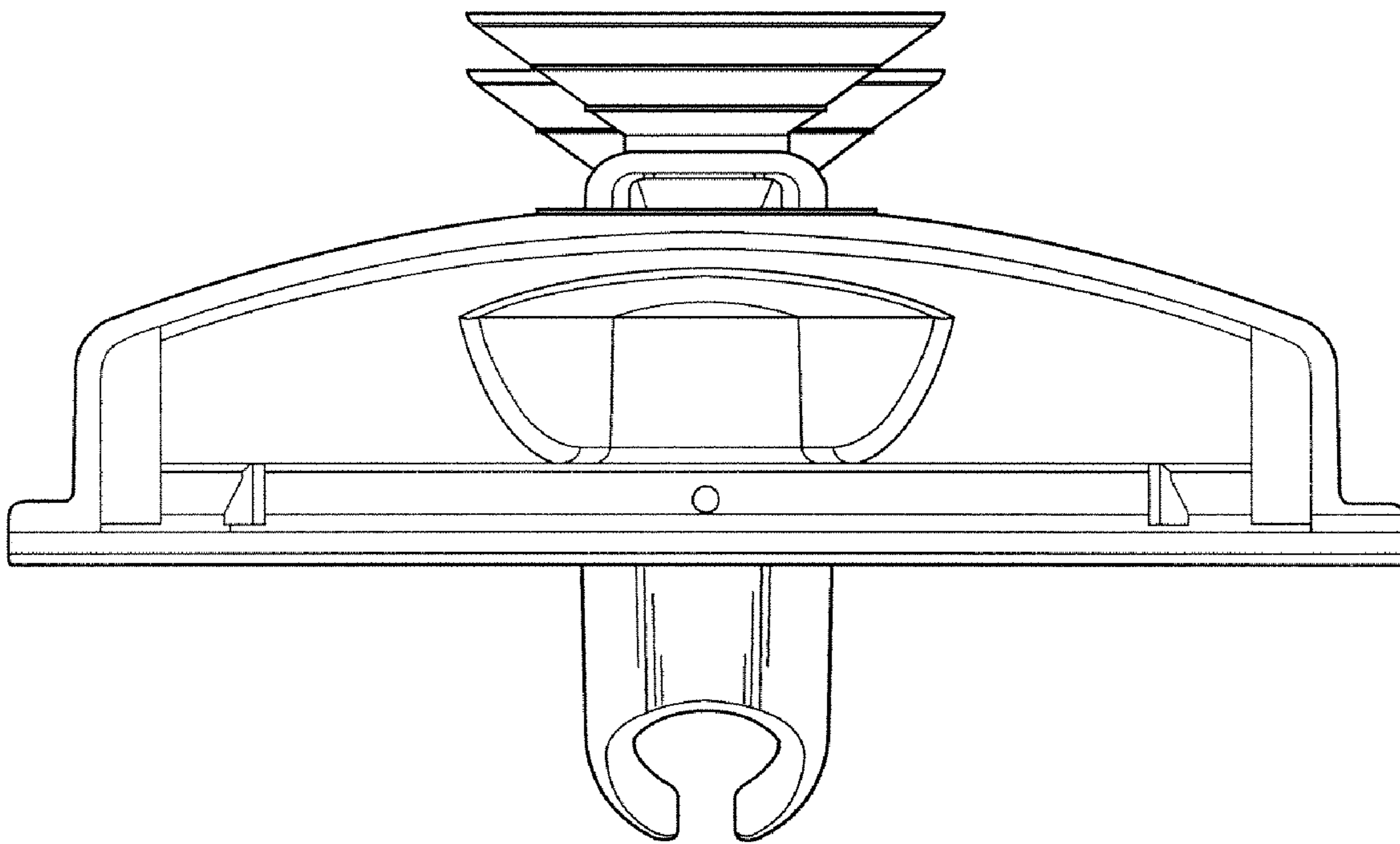


FIG. 7

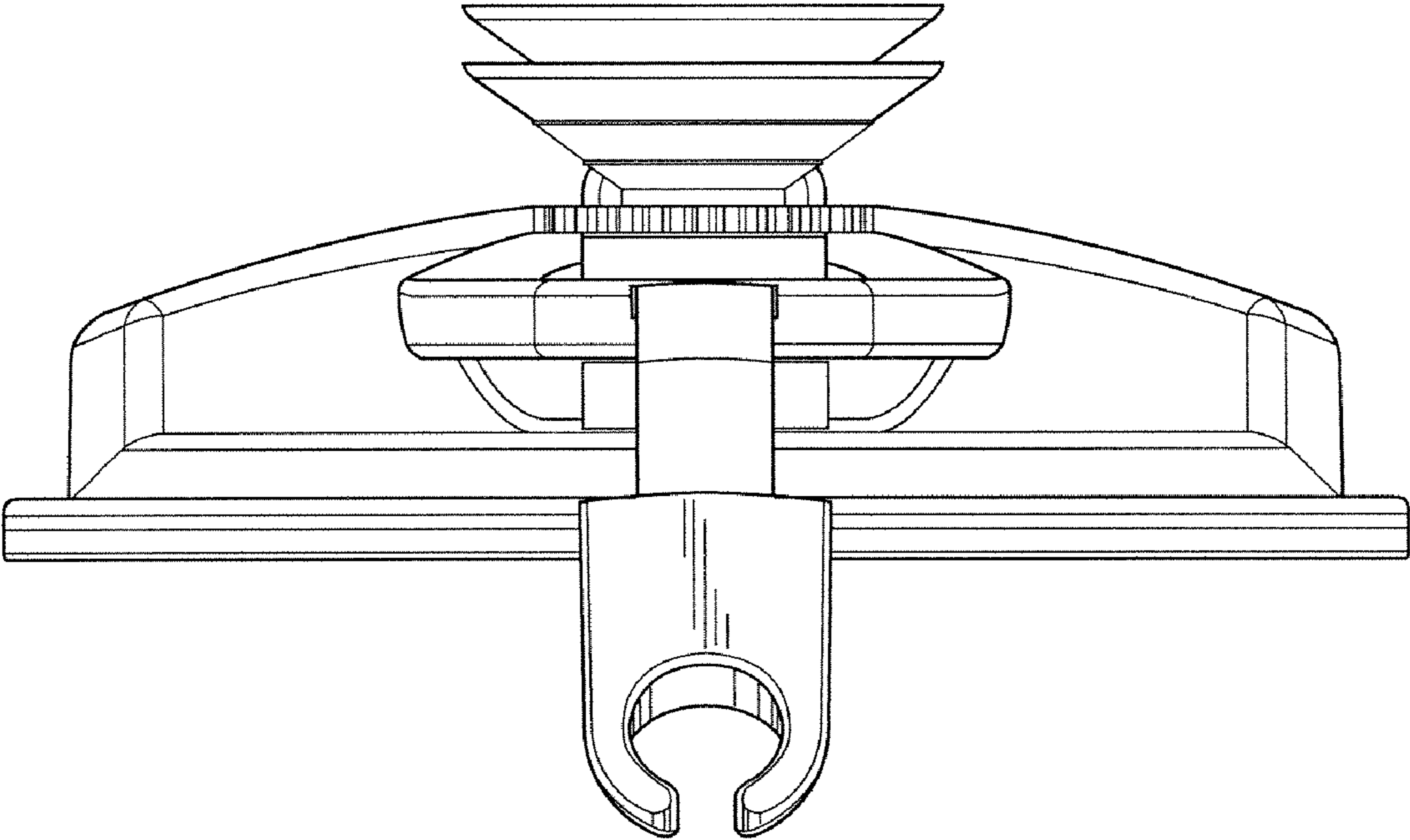


FIG. 8

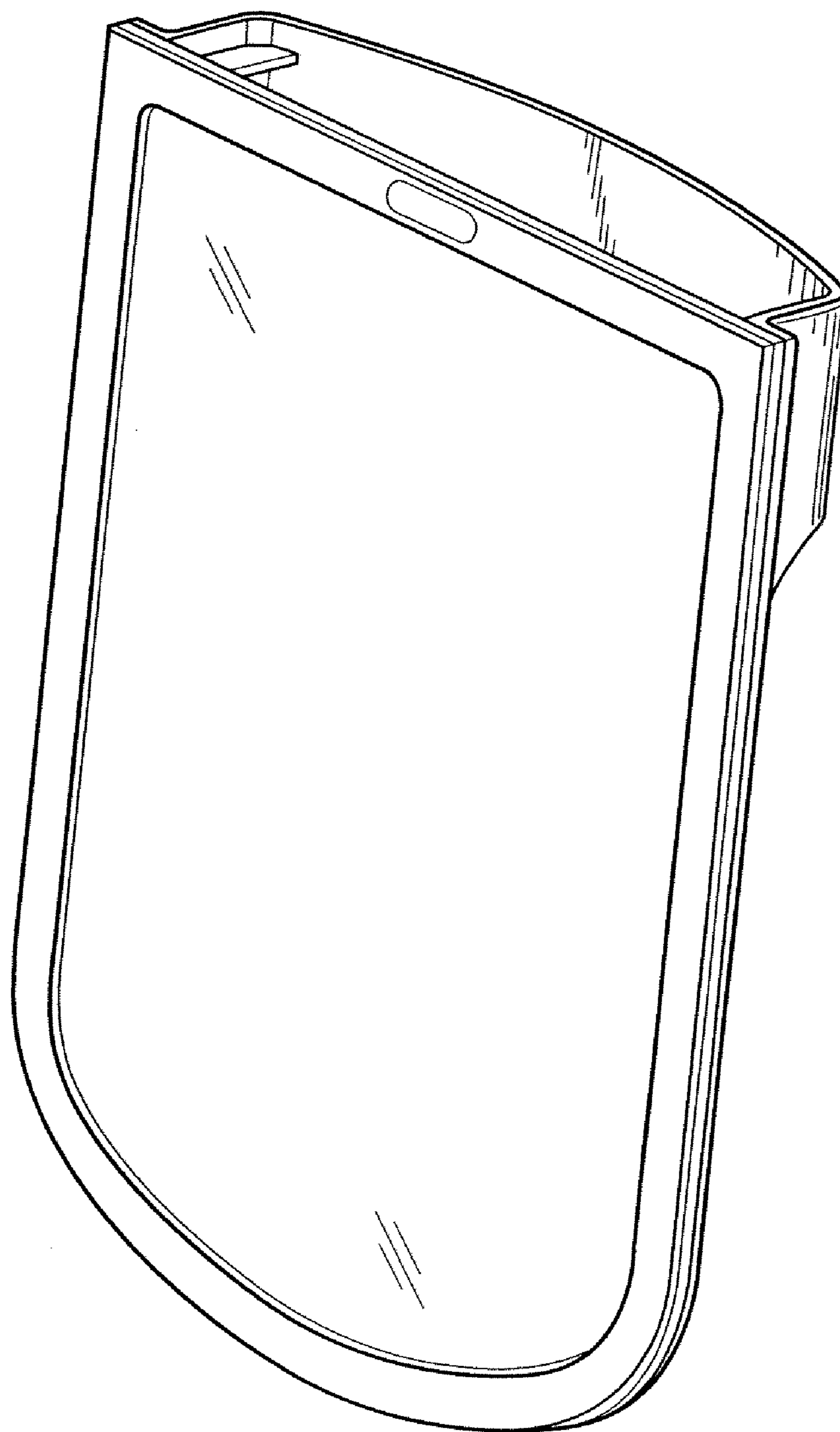


FIG. 9

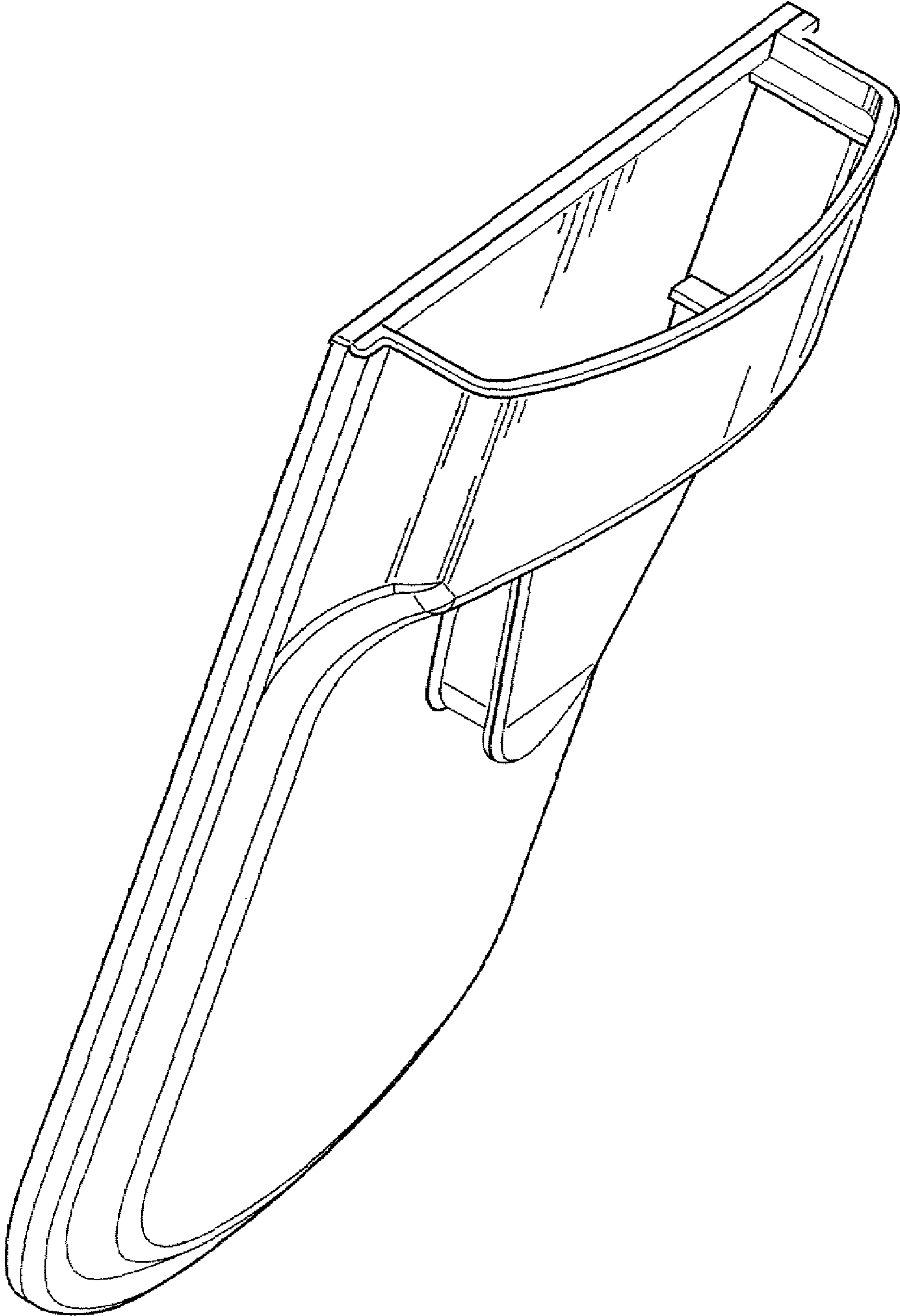


FIG. 10

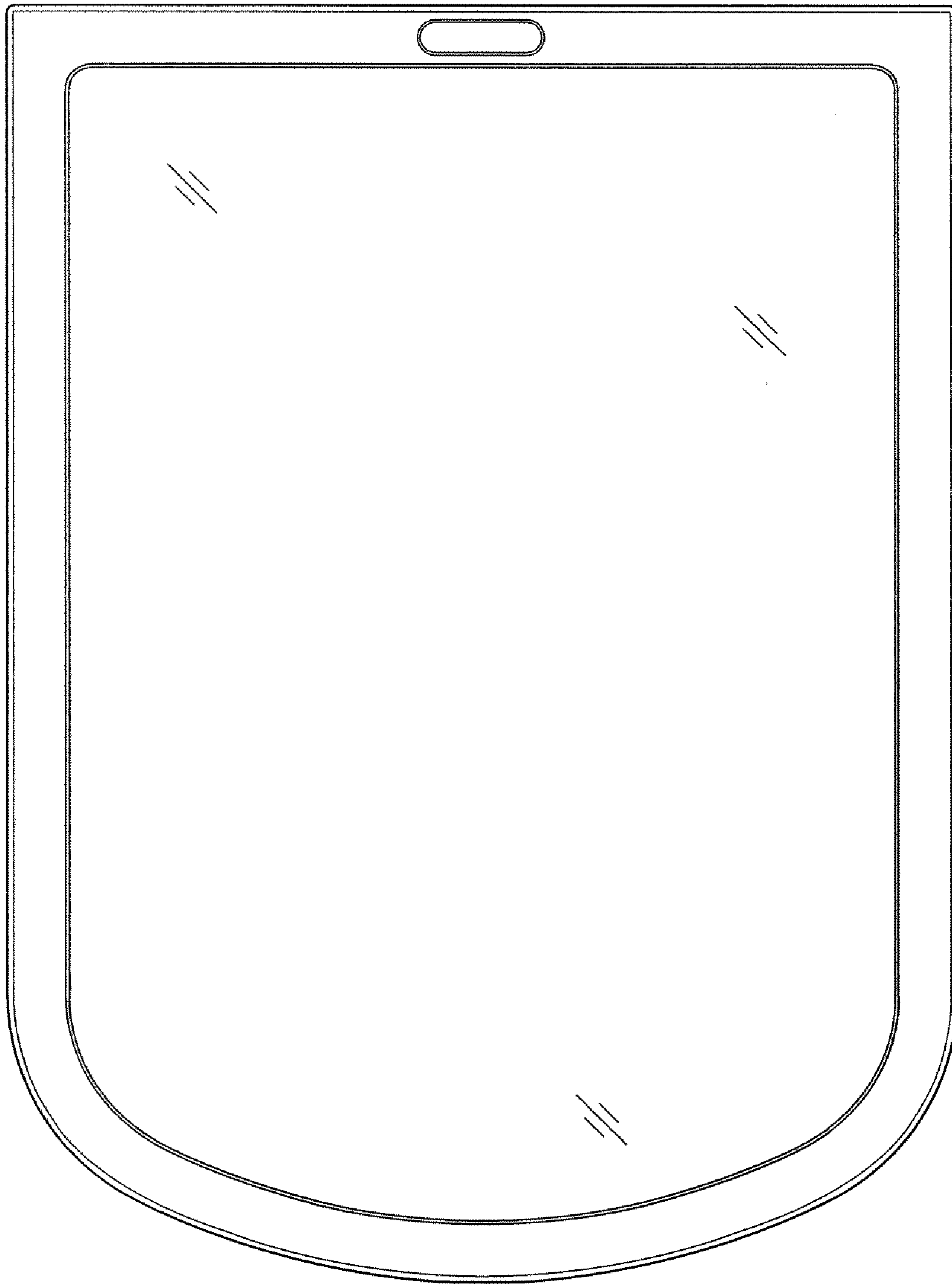


FIG. 11

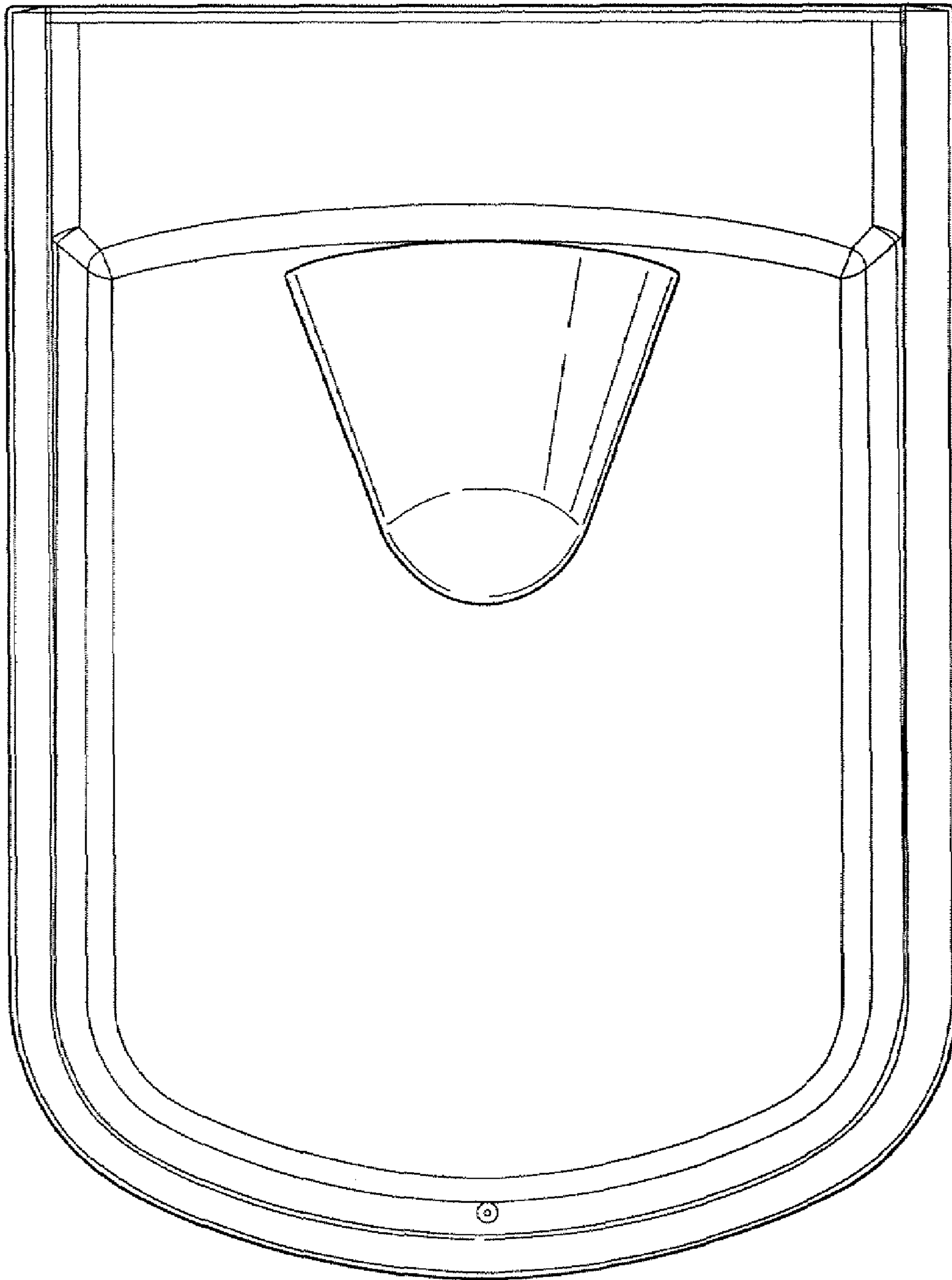


FIG. 12

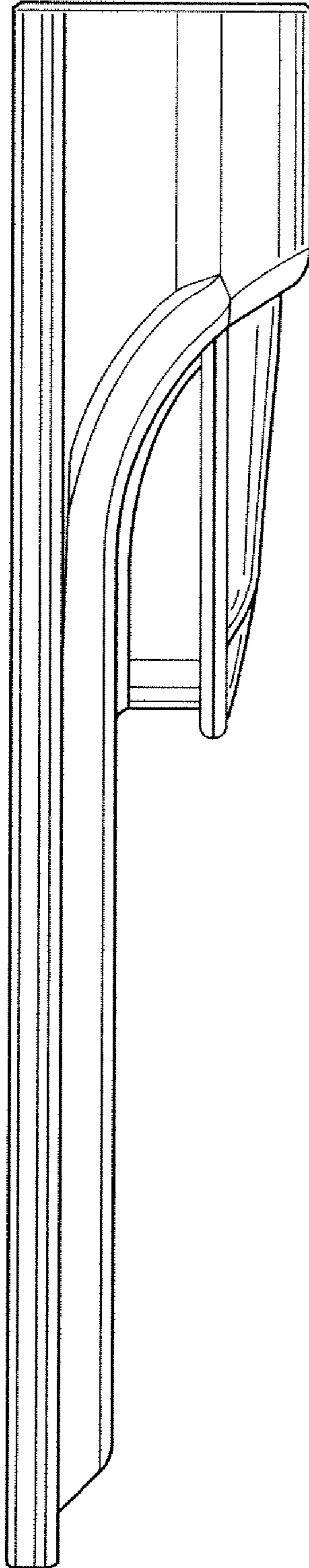


FIG. 13

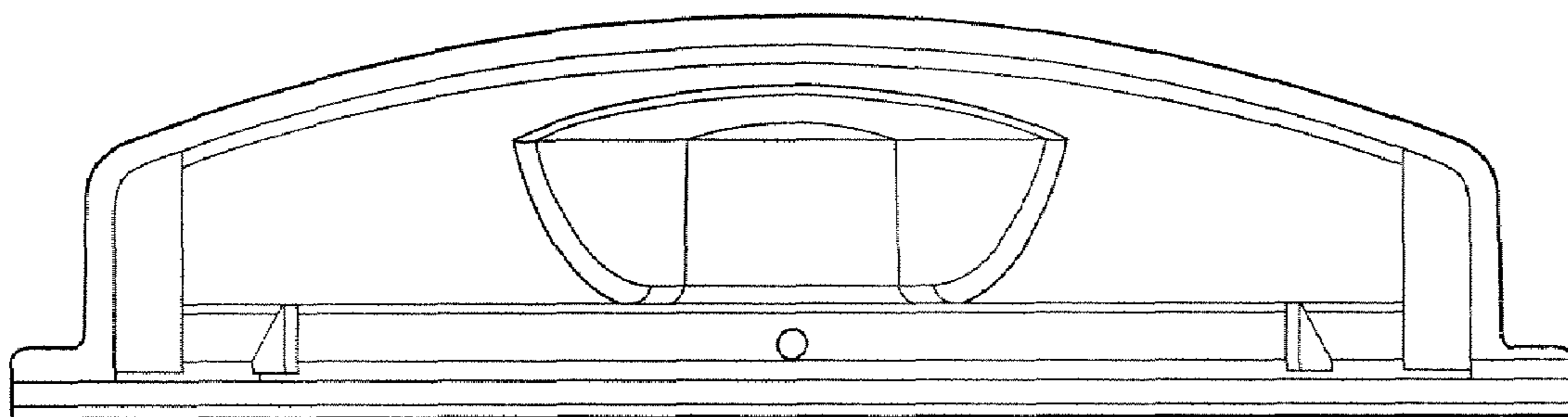


FIG. 14

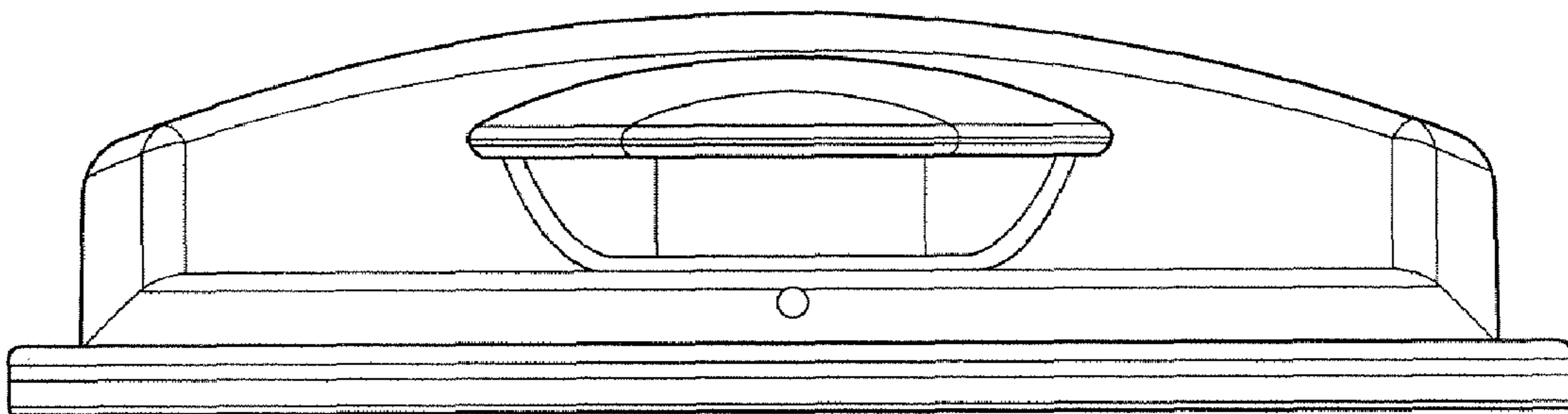


FIG. 15

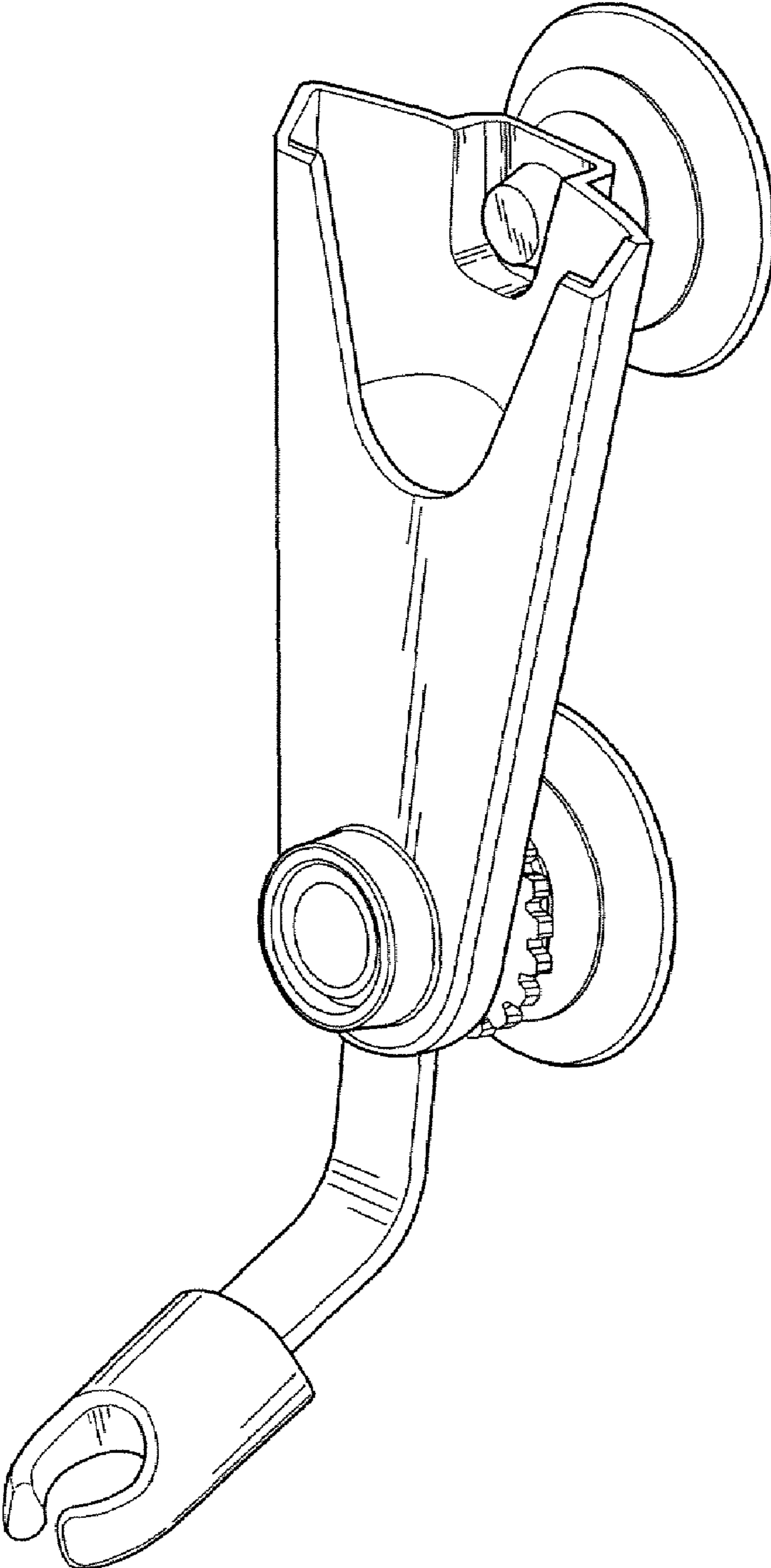


FIG. 16

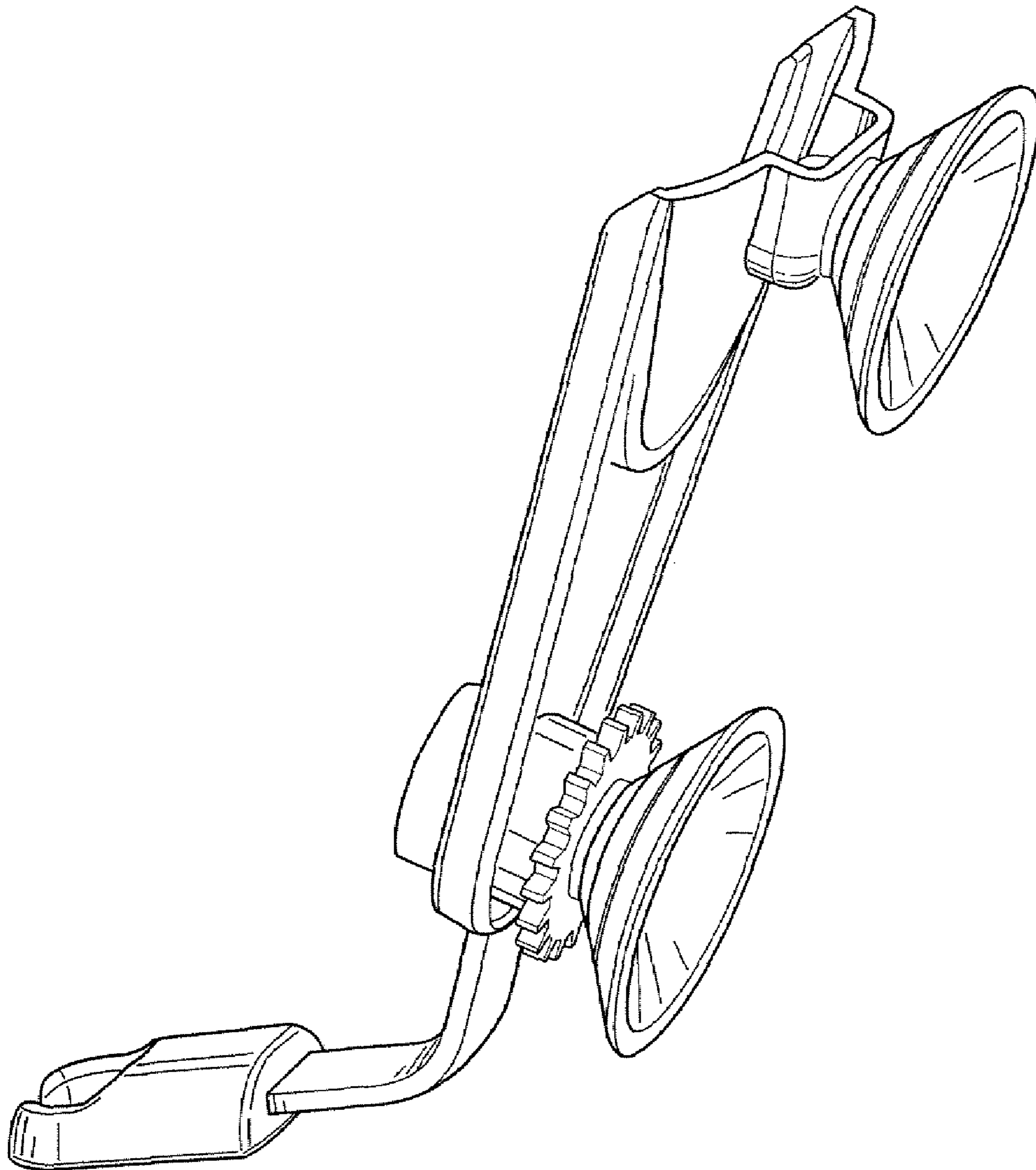


FIG. 17

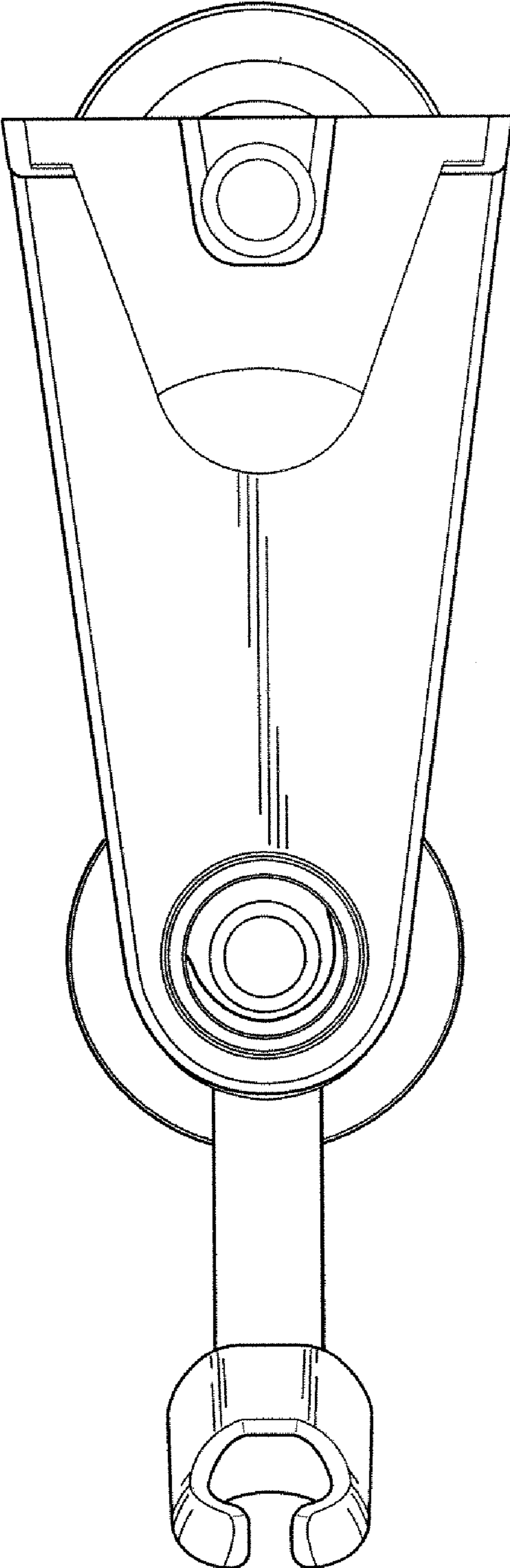


FIG. 18

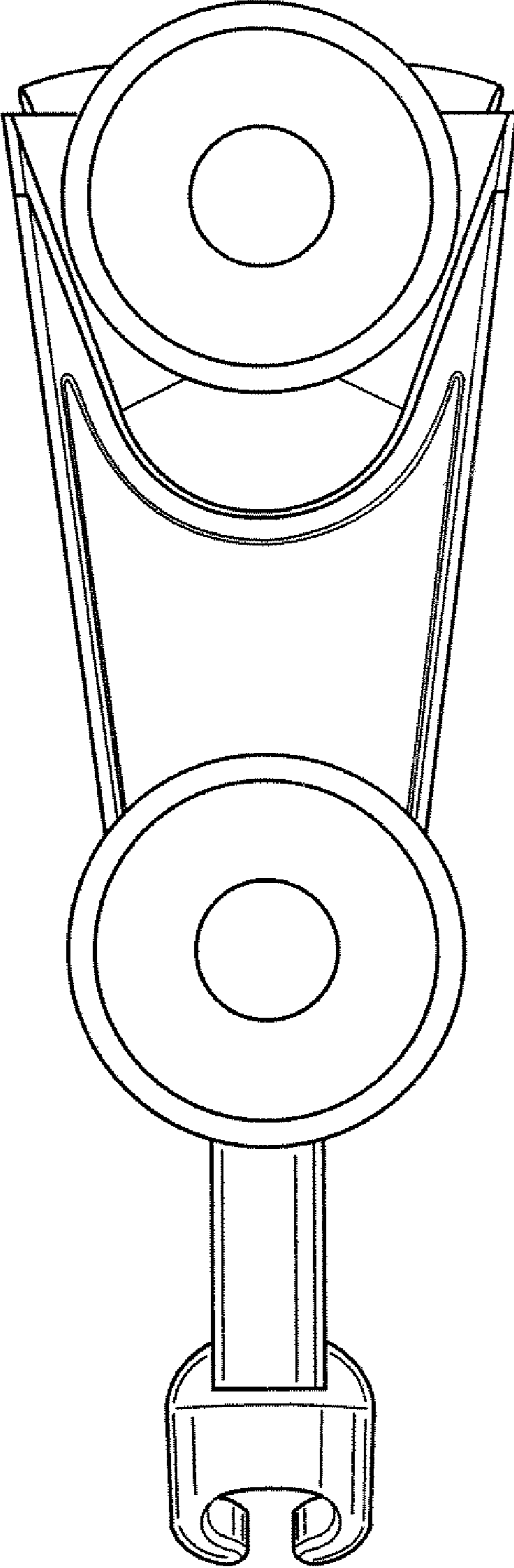


FIG. 19

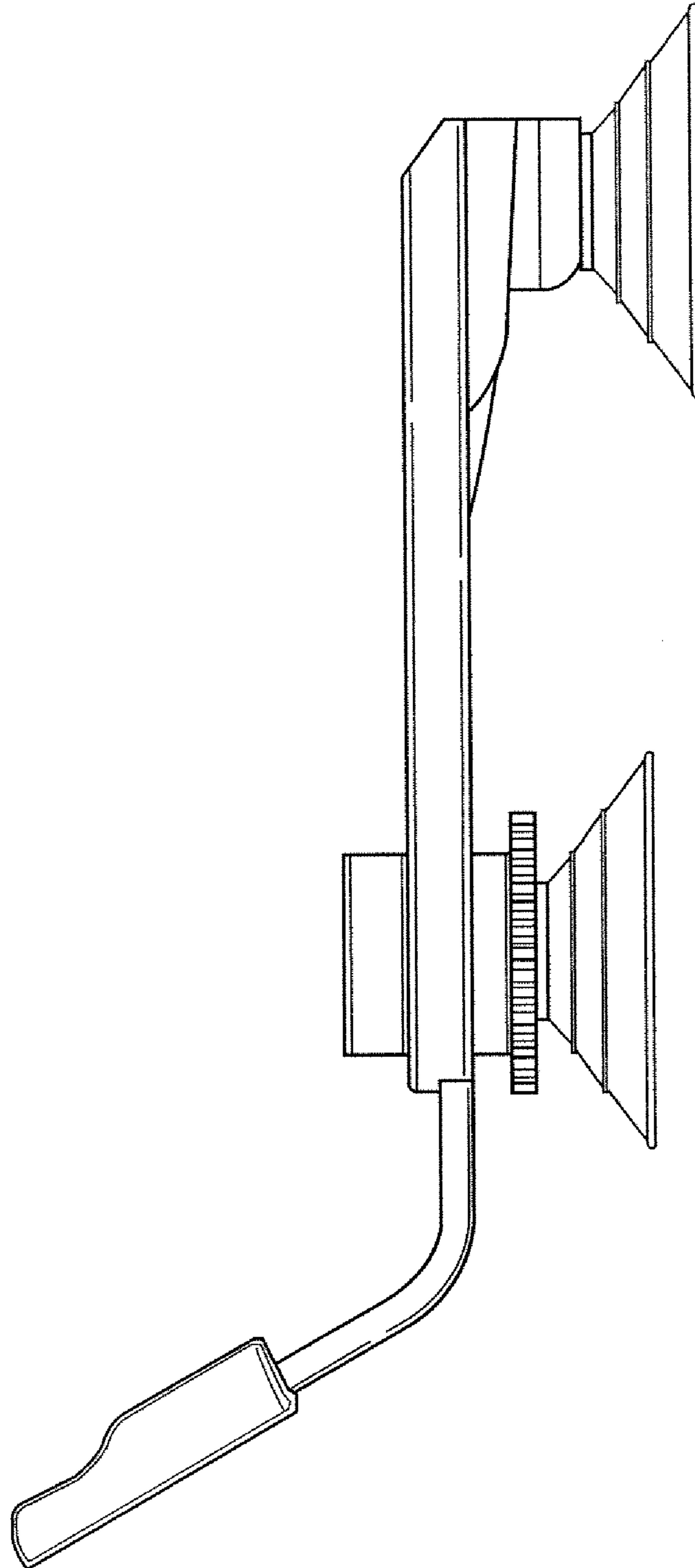


FIG. 20

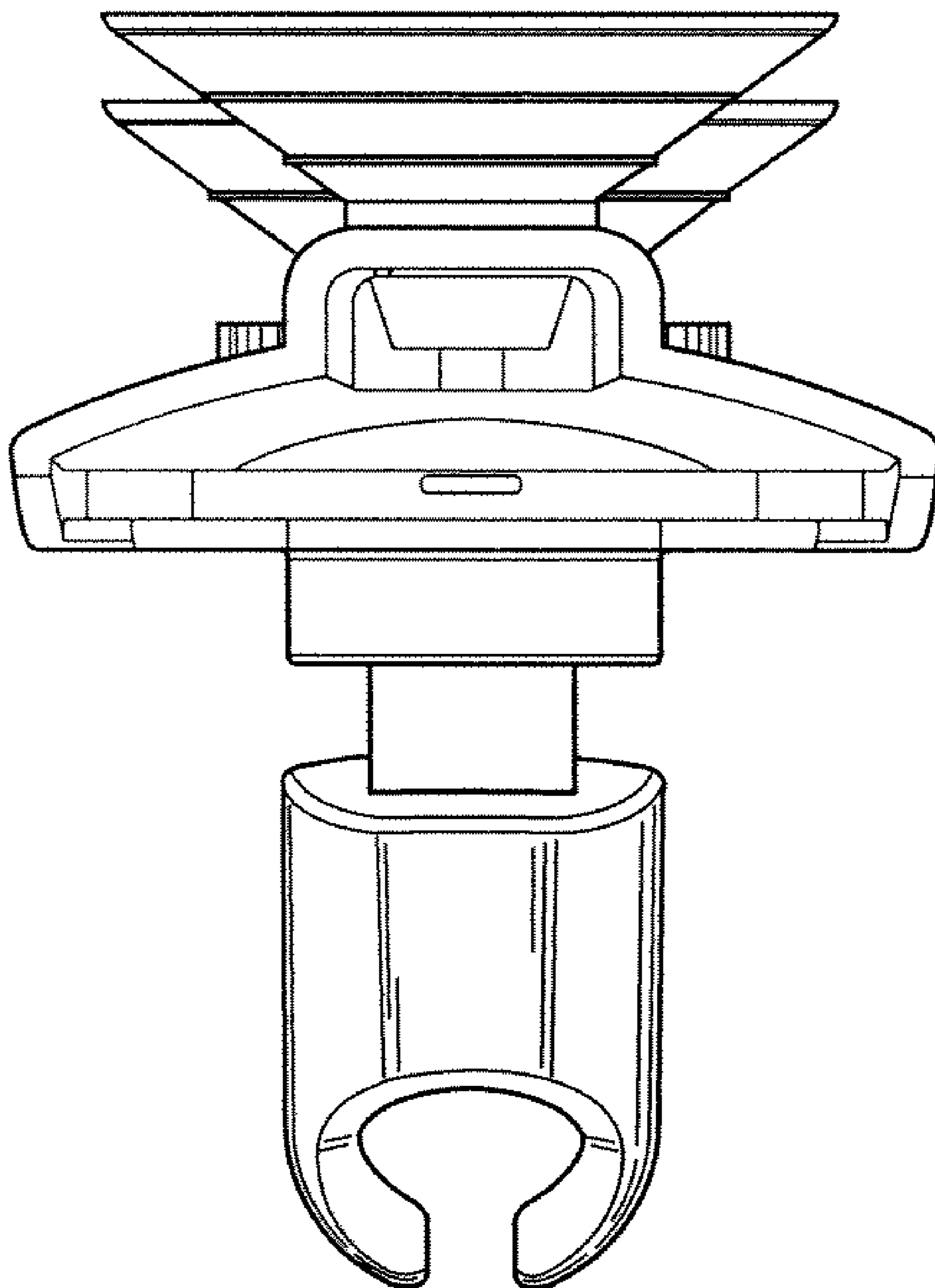


FIG. 21

