



US00D558981S

(12) **United States Design Patent** (10) **Patent No.:** **US D558,981 S**  
**Dovellos** (45) **Date of Patent:** **\*\* \*Jan. 8, 2008**

(54) **PAINT BRUSH HEAD**  
(75) Inventor: **Gus Dovellos**, Dyer, IN (US)  
(73) Assignee: **Royal Brush Manufacturing, Inc.**,  
Merrillville, IN (US)  
(\* ) Notice: This patent is subject to a terminal dis-  
claimer.  
(\*\*) Term: **14 Years**

3,924,287 A 12/1975 Brown  
4,088,413 A 5/1978 Rossignol de la Ronde et al.  
4,144,611 A 3/1979 Brown  
D260,406 S 8/1981 Itoh  
4,471,507 A 9/1984 Schwartz  
D279,729 S 7/1985 Polish  
4,590,637 A 5/1986 Marino  
D297,889 S 10/1988 Ries et al.

(Continued)

(21) Appl. No.: **29/220,864**  
(22) Filed: **Jan. 6, 2005**

FOREIGN PATENT DOCUMENTS

BE 563991 6/1960

(Continued)

(51) **LOC (8) Cl.** ..... **04-04**  
(52) **U.S. Cl.** ..... **D4/135**  
(58) **Field of Classification Search** ..... D4/132,  
D4/135; 28/7, 20, 31; 15/166, 168, 159.1,  
15/160, 190, 191.1, 192-193, 194-196, DIG. 5;  
132/202, 207, 212, 313, 317, 320  
See application file for complete search history.

OTHER PUBLICATIONS

WIPO DM/066163 Industrial Design Application, (BOURJOIS)  
Sep. 16, 2004, [online], [Retrieved on Mar. 7, 2007] Retrieved from  
the Hague Express Design Database of the WIPO Intellectual  
Property Digital Library using Internet <URL: http://www.wipo.int/  
ipdl>.\*

*Primary Examiner*—Robin Webster  
*Assistant Examiner*—Lavone D. Tabor  
(74) *Attorney, Agent, or Firm*—Brinks Hofer Gilson &  
Lione

(56) **References Cited**  
U.S. PATENT DOCUMENTS

68,022 A 8/1867 Wood  
74,224 A 2/1868 Hergesheimer  
376,540 A 1/1888 Mcquide  
D20,006 S 7/1890 Lessard  
857,239 A 6/1907 Hawkins  
907,850 A 12/1908 Mountford  
1,954,260 A \* 4/1934 Panitzsch ..... 15/166  
2,138,012 A 11/1938 Perr  
2,147,310 A 2/1939 Morrison  
2,155,004 A \* 4/1939 Blossom ..... 401/284  
D134,797 S 1/1943 Lubkin  
2,674,759 A 4/1954 Solberg  
2,861,371 A 11/1958 Leshik  
3,031,708 A 5/1962 Smyth  
3,186,765 A 6/1965 Gentoso  
D204,449 S 4/1966 Zavodsky  
3,349,781 A \* 10/1967 Poole et al. .... 132/208  
3,609,051 A 9/1971 Braun  
3,751,751 A 8/1973 Karl

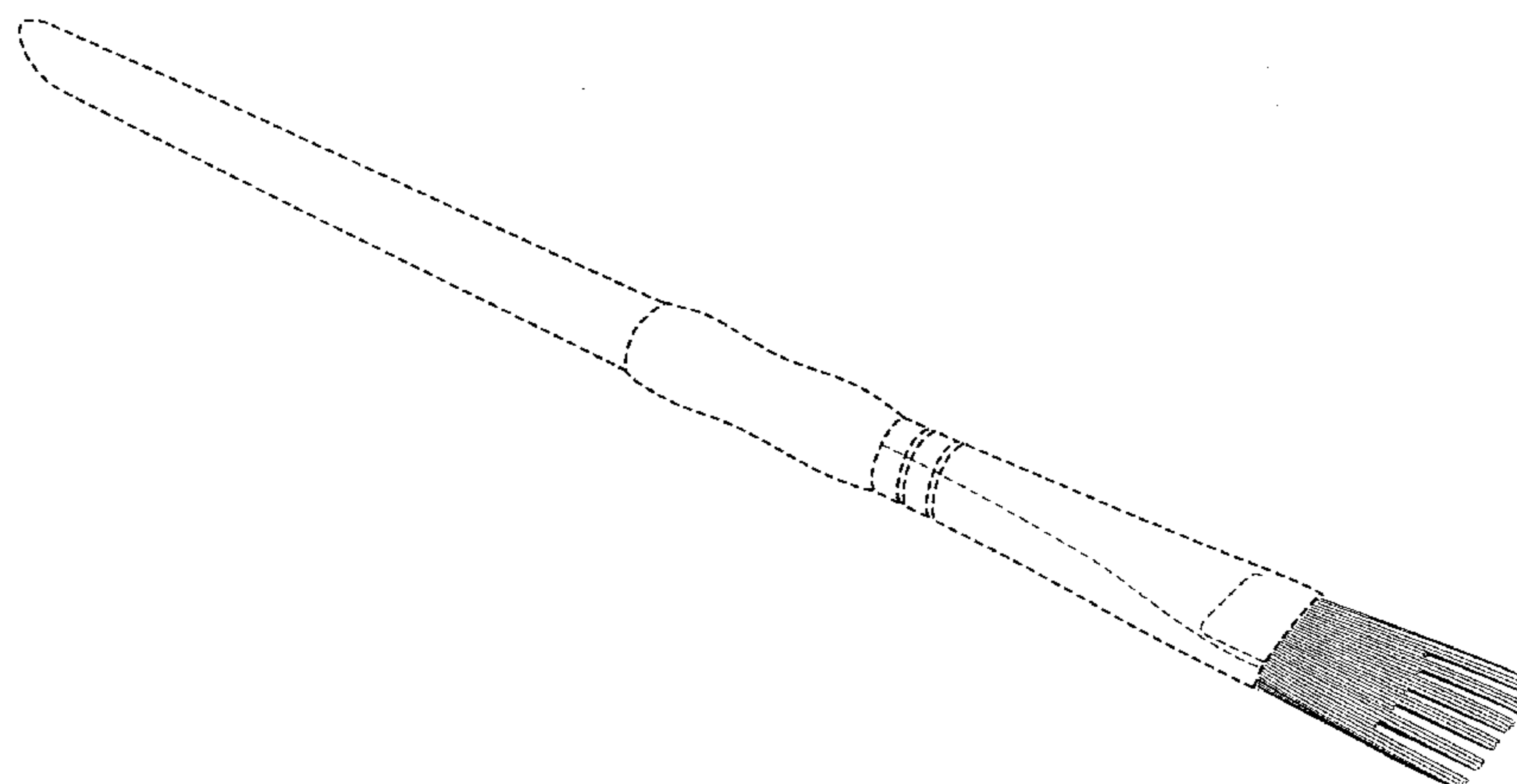
(57) **CLAIM**

I claim the ornamental design for a paint brush head, as  
shown and described.

**DESCRIPTION**

FIG. 1 is a side perspective view of a paint brush head in  
accordance with the present invention;  
FIG. 2 is a bottom side view thereof; and,  
FIG. 3 is a left side view thereof.  
The ornamental design which is claimed is shown in solid  
lines in the drawings. Any broken lines in the drawings are  
for illustrative purposes only and form no part of the claimed  
design.

**1 Claim, 2 Drawing Sheets**



# US D558,981 S

Page 2

## U.S. PATENT DOCUMENTS

D311,455 S 10/1990 Snipes  
5,001,803 A 3/1991 Discsko, Jr.  
5,150,495 A 9/1992 Discsko, Jr. et al.  
5,220,702 A 6/1993 Howell et al.  
5,323,505 A 6/1994 Montabaur et al.  
D351,065 S 10/1994 Lee  
D357,585 S 4/1995 Mollack  
D361,435 S 8/1995 Joseph  
D362,550 S 9/1995 Narubin  
5,507,063 A \* 4/1996 Hirsch ..... 15/160  
D376,049 S 12/1996 Harris et al.  
D378,323 S 3/1997 Lee  
D380,615 S 7/1997 Roberts  
D384,817 S 10/1997 Narubin et al.  
D392,103 S 3/1998 Zaccheria  
5,800,751 A 9/1998 Barker  
5,836,036 A 11/1998 Ivory  
5,913,348 A 6/1999 Horton  
5,920,943 A 7/1999 Barker  
D414,343 S 9/1999 Isaacson  
D416,688 S 11/1999 Baltierra  
5,991,956 A 11/1999 Chapman  
6,012,194 A 1/2000 Eshbach et al.  
D427,777 S 7/2000 Kim  
6,138,313 A 10/2000 Barton et al.  
6,145,151 A 11/2000 Herron et al.

D435,349 S 12/2000 Kim  
D436,449 S 1/2001 Baltierra  
6,176,631 B1 \* 1/2001 Gueret ..... 401/129  
D439,415 S 3/2001 Mink et al.  
6,202,241 B1 3/2001 Hassell et al.  
D441,537 S 5/2001 Tapley et al.  
6,314,605 B1 11/2001 Solanki et al.  
6,367,113 B1 4/2002 Usui  
D458,761 S 6/2002 Mason et al.  
6,421,867 B1 7/2002 Weihrauch  
6,438,786 B2 8/2002 Harada  
D463,136 S 9/2002 Mink  
D471,018 S 3/2003 Mink  
D480,217 S 10/2003 Mink  
6,726,789 B1 4/2004 Weihrauch

## FOREIGN PATENT DOCUMENTS

DE 35 23 175 C2 1/1987  
DE 196 46 723 C2 5/1998  
FR 1494582 7/1967  
FR 2642283 8/1990  
FR 2 784 014 A1 4/2000  
GB 351858 7/1931  
GB 2159699 A \* 12/1985  
JP 8-19424 1/1996

\* cited by examiner

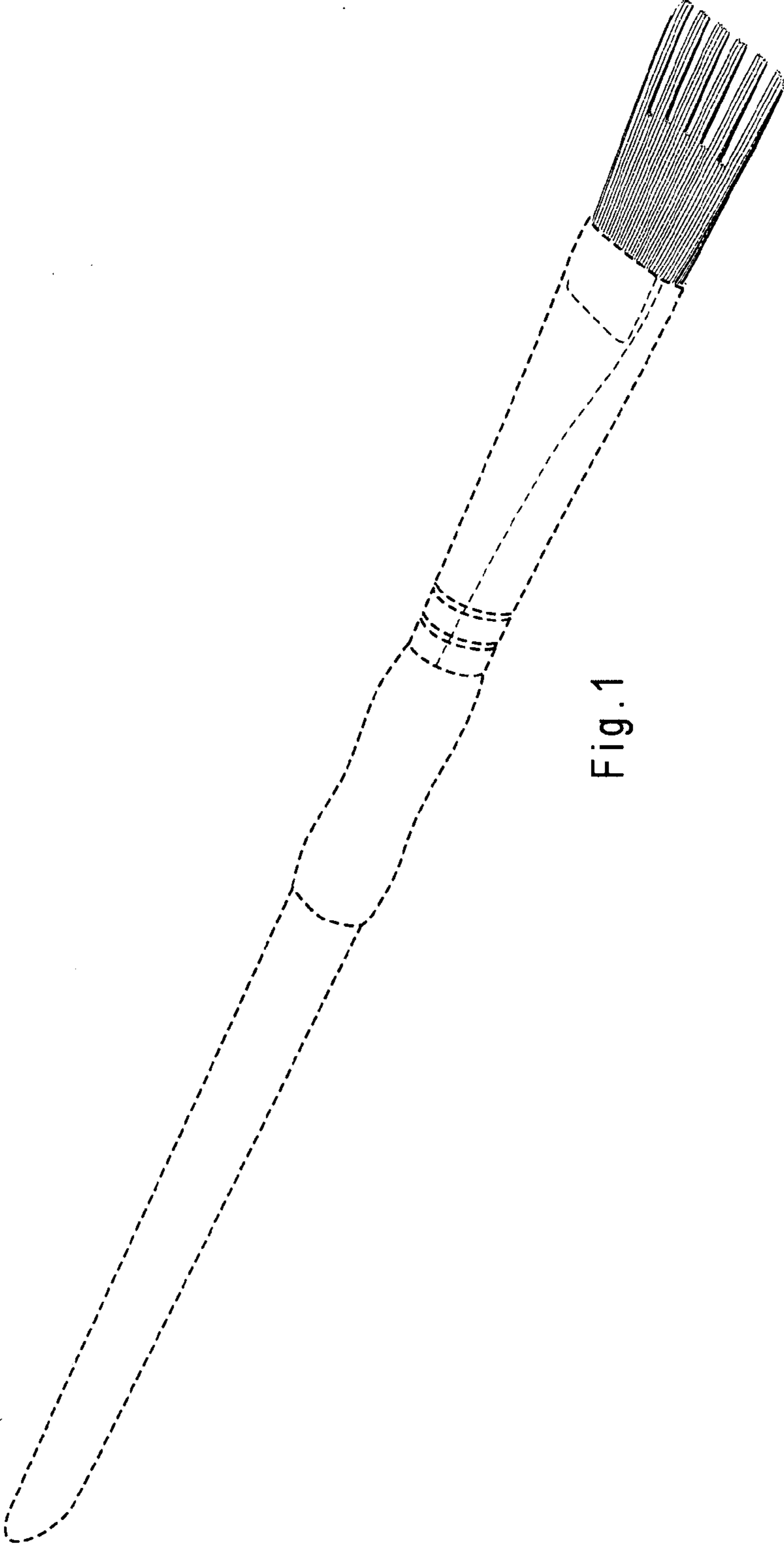


Fig. 1

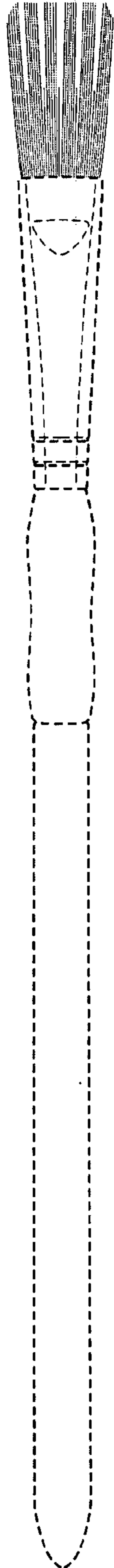


Fig. 2



Fig. 3