



US00D558974S

(12) **United States Design Patent**  
**Denzer et al.**

(10) **Patent No.: US D558,974 S**  
(45) **Date of Patent: \*\* Jan. 8, 2008**

(54) **BODY COMPUTER MOUNT**

**DESCRIPTION**

(76) Inventors: **Joanne Denzer**, P.O. Box 14741,  
Portland, OR (US) 97293-0741;  
**Thomas Gambaro**, P.O. Box 14741,  
Portland, OR (US) 97293-0741

(\*\*) Term: **14 Years**

(21) Appl. No.: **29/270,897**

(22) Filed: **Jan. 5, 2007**

**Related U.S. Application Data**

(60) Provisional application No. 60/757,074, filed on Jan. 5, 2006.

(51) **LOC (8) Cl.** ..... **03-01**

(52) **U.S. Cl.** ..... **D3/215**

(58) **Field of Classification Search** ..... D3/215,  
D3/218, 228; 224/270, 250, 257-259, 262,  
224/637-638, 628-629, 586, 576; 361/680-683;  
D29/101.1, 101.2, 101.3

See application file for complete search history.

(56) **References Cited**

**U.S. PATENT DOCUMENTS**

5,938,096	A *	8/1999	Sauer et al.	.....	224/625
6,381,127	B1 *	4/2002	Maddali et al.	.....	361/683
D490,606	S *	6/2004	Beatto	.....	D3/215
D501,078	S *	1/2005	Cabana	.....	D3/215
D509,627	S *	9/2005	Willows et al.	.....	D29/101.2
7,051,910	B2 *	5/2006	Sprague et al.	.....	224/638

\* cited by examiner

*Primary Examiner*—Catherine R. Oliver

(74) *Attorney, Agent, or Firm*—Ater Wynne LLP

(57) **CLAIM**

The ornamental design for a body computer mount, as shown and described.

FIG. 1 depicts the invented body computer mount design in an angled right-front isometric view with a computer mounting frame extending outwardly in a deployed orientation for operation of a computer mounted thereon. The corresponding angled left-front isometric view (not shown) is a mirror image of the angled right-front isometric view.

FIG. 2 corresponds generally with FIG. 1, but with the computer mounting frame extending upwardly and secured in a stowed position for transport.

FIG. 3 depicts the body computer mount according to FIG. 1 in a rear isometric view with the computer mounting frame extending outwardly in a deployed orientation for operation of a computer mounted thereon.

FIG. 4 corresponds generally with FIG. 3, but with the computer mounting frame extending upwardly and secured in a stowed orientation for transport.

FIG. 5 depicts the body computer mount in a front isometric view with the computer mounting frame extending outwardly in a deployed orientation for operation of a computer mounted thereon.

FIG. 6 corresponds generally with FIG. 5, but with the computer mounting frame extending upwardly and secured in a stowed orientation for transport.

FIG. 7 depicts the body computer mount in a right isometric view with the computer mounting frame extending outwardly in a deployed orientation for operation of a computer mounted thereon. The corresponding left isometric view (not shown) is a mirror image of the right isometric view.

FIG. 8 corresponds generally with FIG. 7, but with the computer mounting frame extending upwardly and secured in a stowed orientation for transport.

FIG. 9 depicts the body computer mount in a top plan view with the computer mounting frame shown extending outwardly in a deployed orientation for operation of a computer mounted thereon.

FIG. 10 corresponds generally with FIG. 9, but with the computer mounting frame extending upwardly and secured in a stowed orientation for transport.

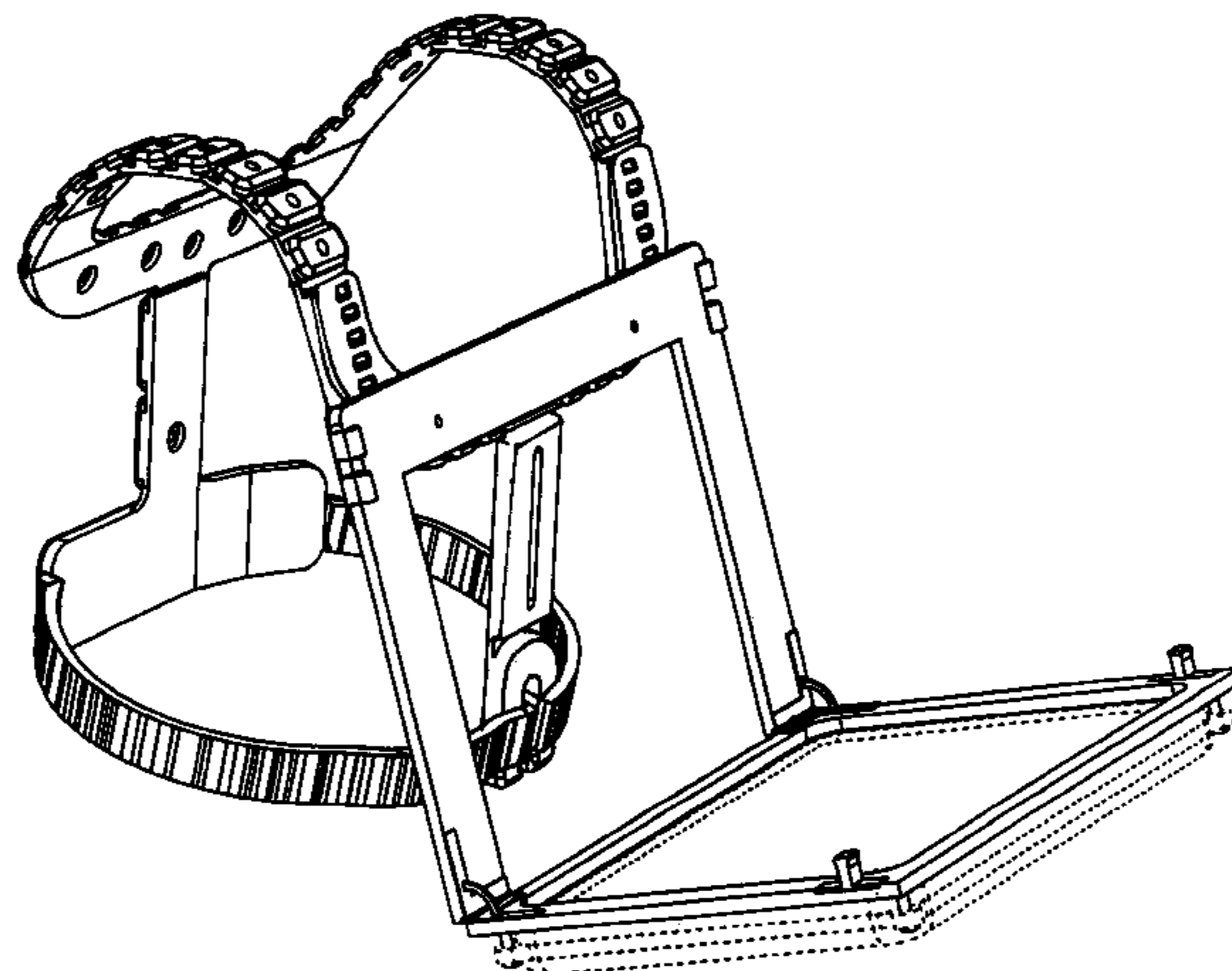


FIG. 11 depicts the body computer mount in a bottom view with the computer mounting frame shown extending outwardly in a deployed orientation for operation of a computer mounted thereon.

FIG. 12 corresponds generally with FIG. 11, but with the computer mounting frame extending upwardly and secured in a stowed orientation for transport.

FIG. 13 corresponds generally with FIG. 1, but illustrates deployed use of the invented body computer mount on a user, the user being unclaimed environment depicted by broken lines as the quintessential Venus De Milo; and,

FIG. 14 corresponds generally with FIG. 2, but illustrates stowed use of the invented body computer mount on a user,

the user being unclaimed environment depicted by broken lines as the quintessential Venus De Milo.

A novel body computer mount as depicted herein for securely but flexibly mounting on the shoulders and around the waist of a user (shown in broken lines as Venus De Milo), transporting and using a portable computer (also shown in broken lines) such as a laptop or tablet personal computer (PC) or the like. The broken line showing of environment in the drawings is included for the purpose of illustrating only and forms no part of the claimed design.

**1 Claim, 14 Drawing Sheets**

FIG.1

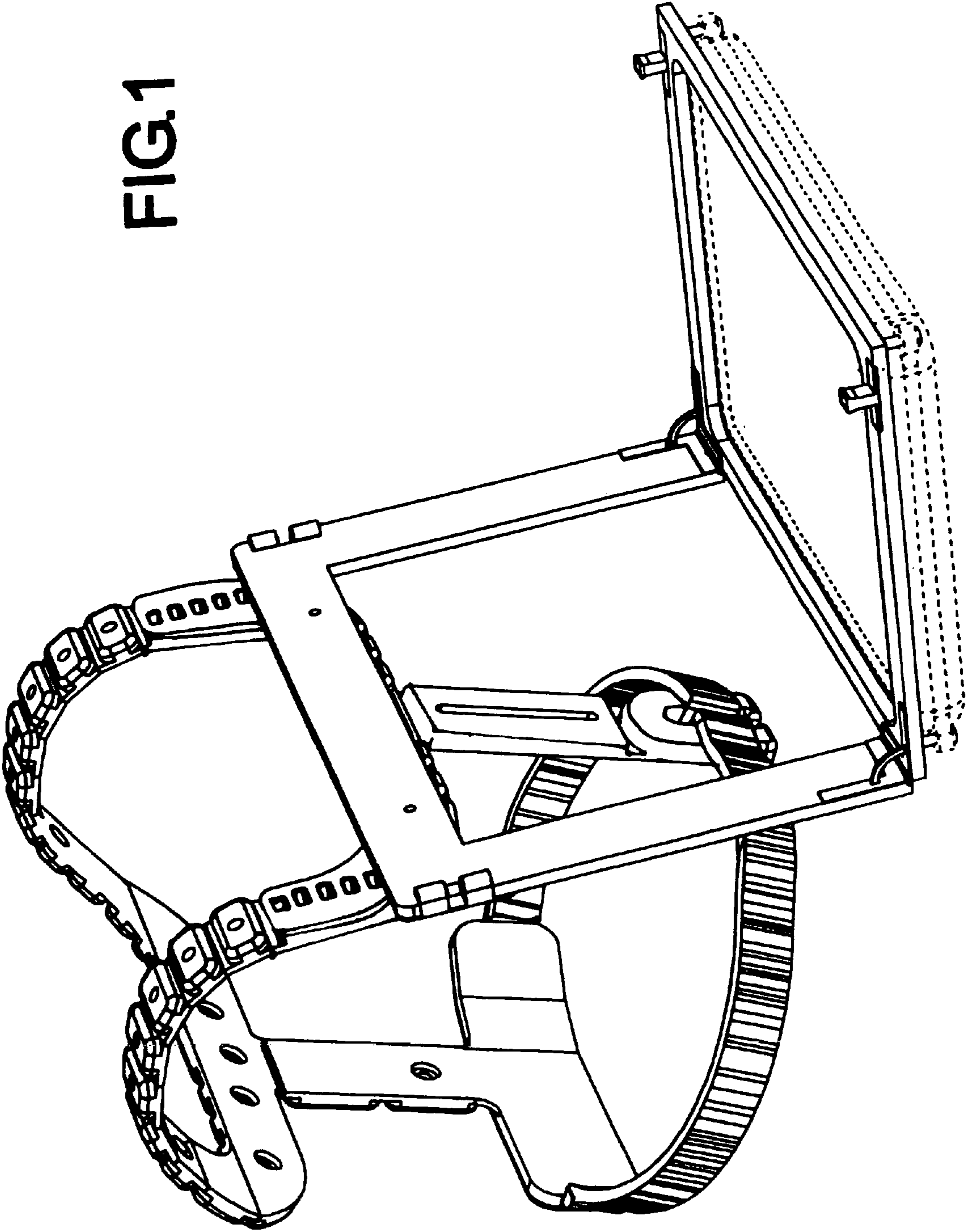


FIG.2

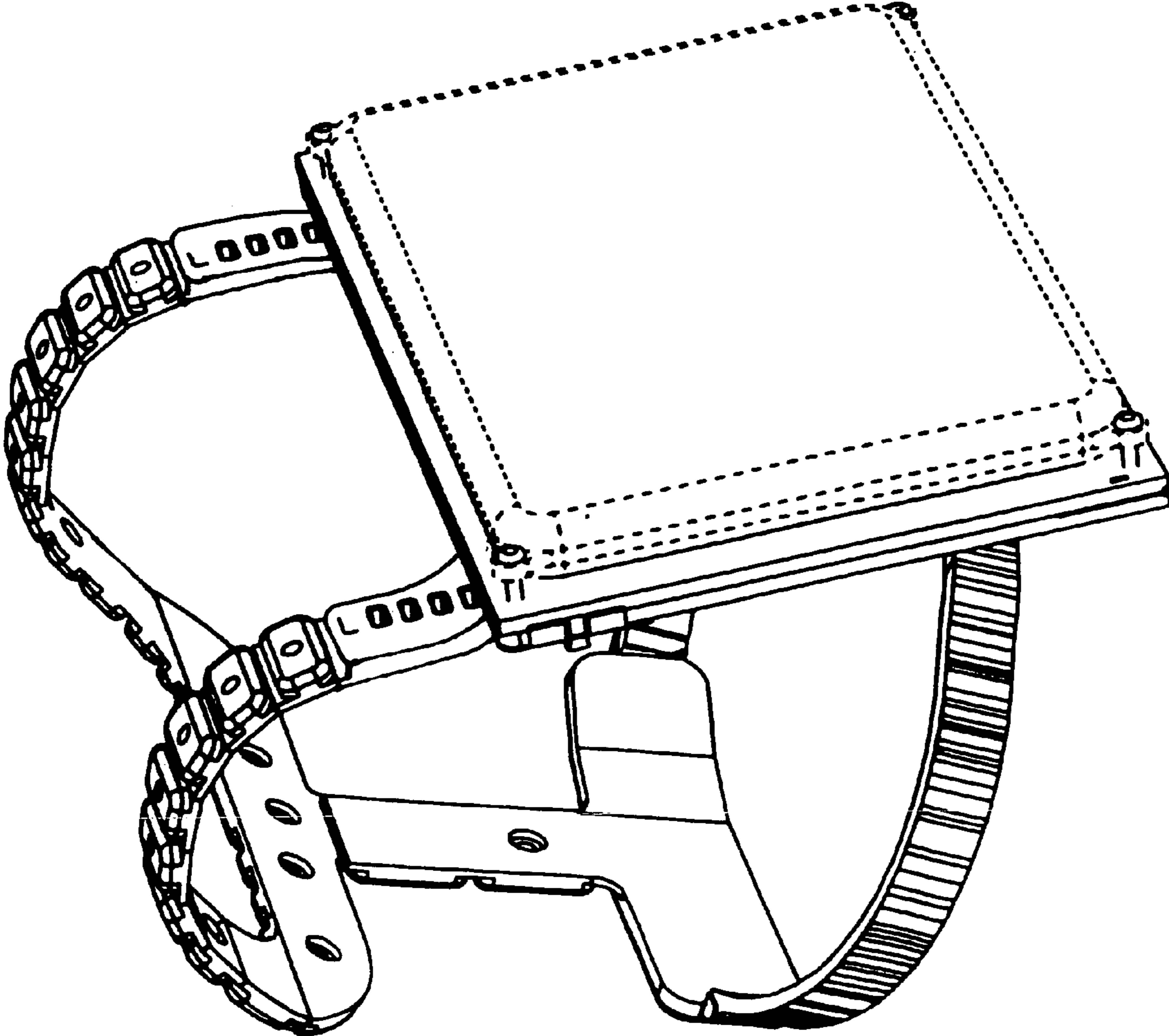


FIG. 3

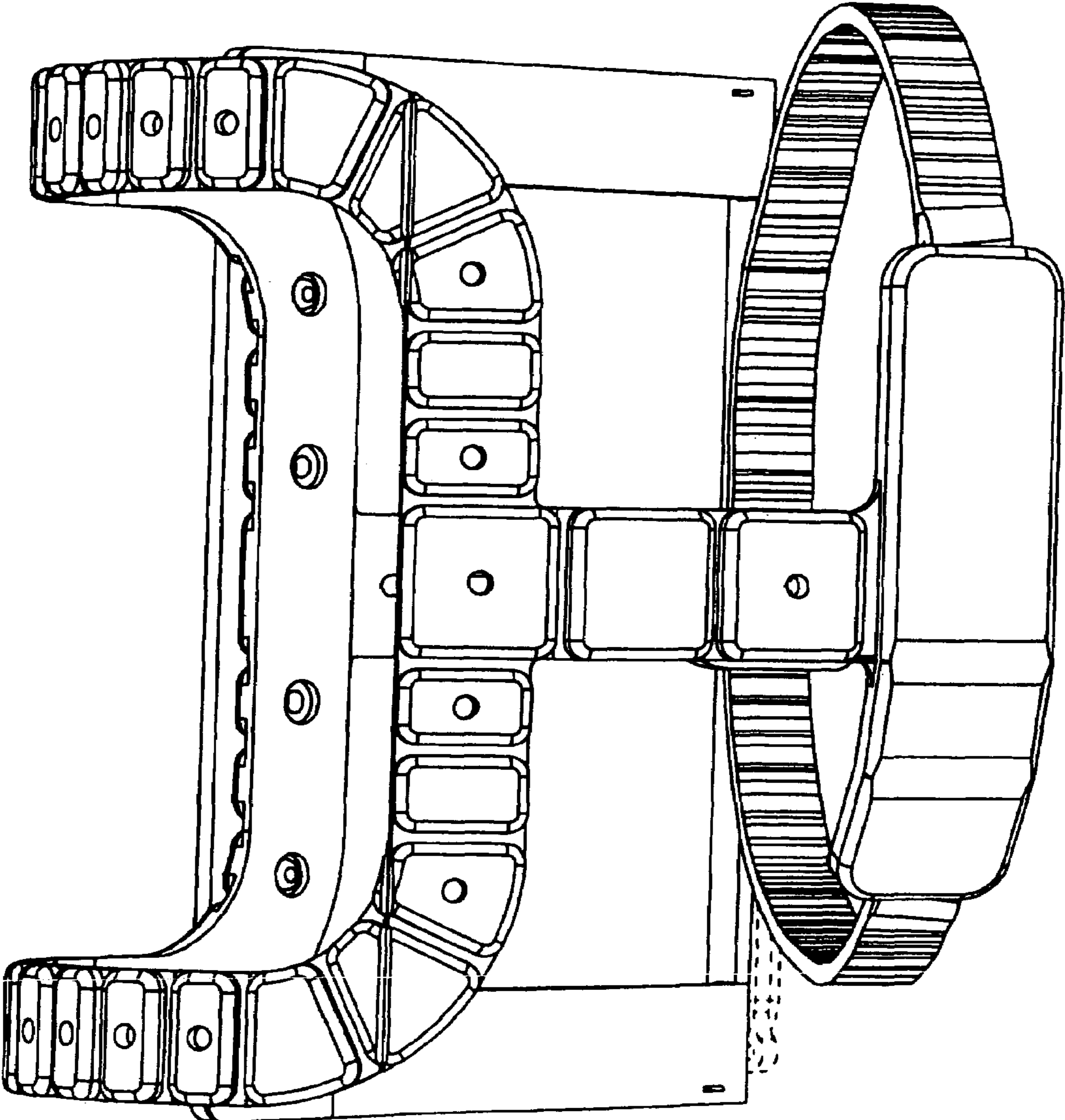
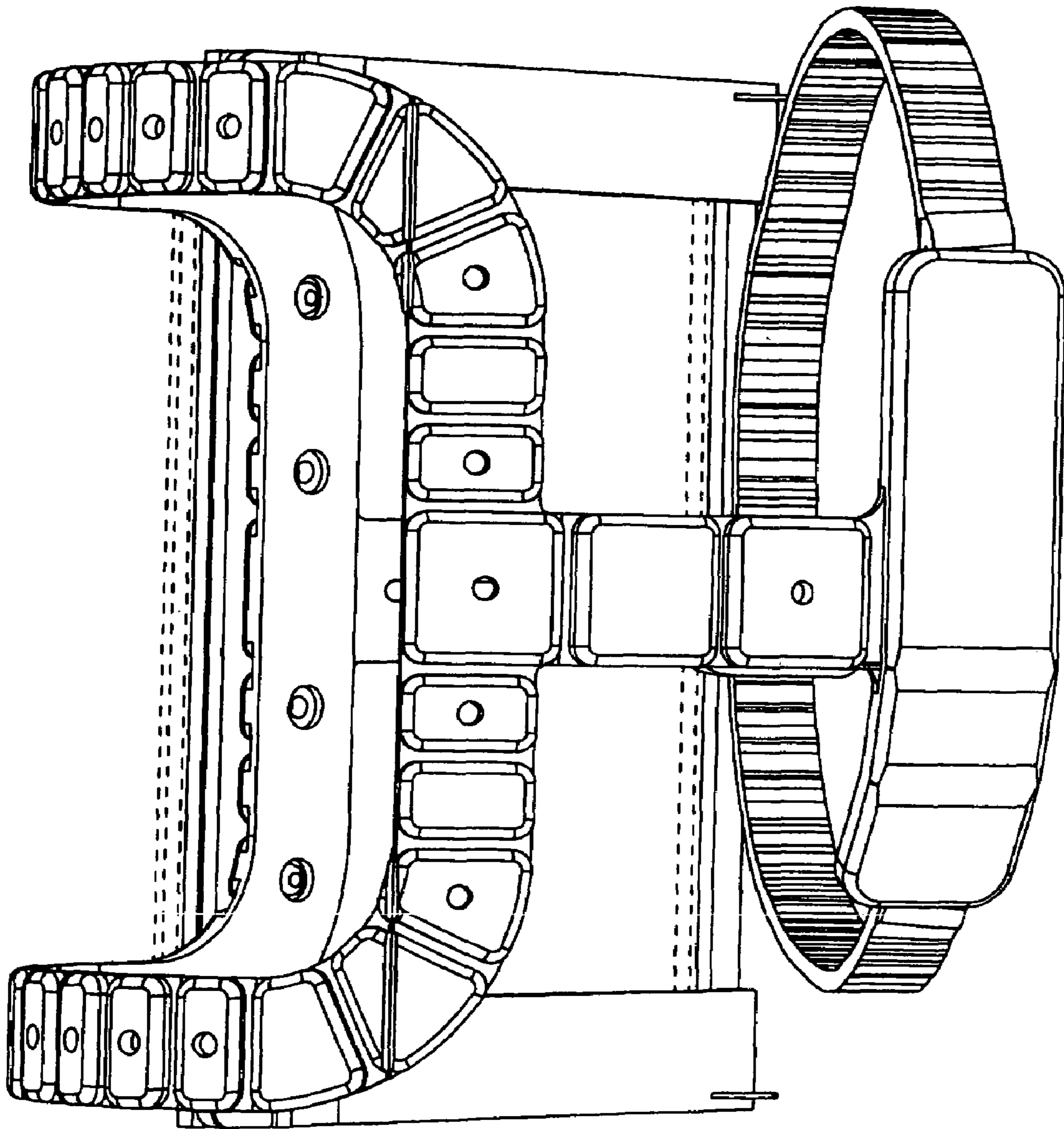
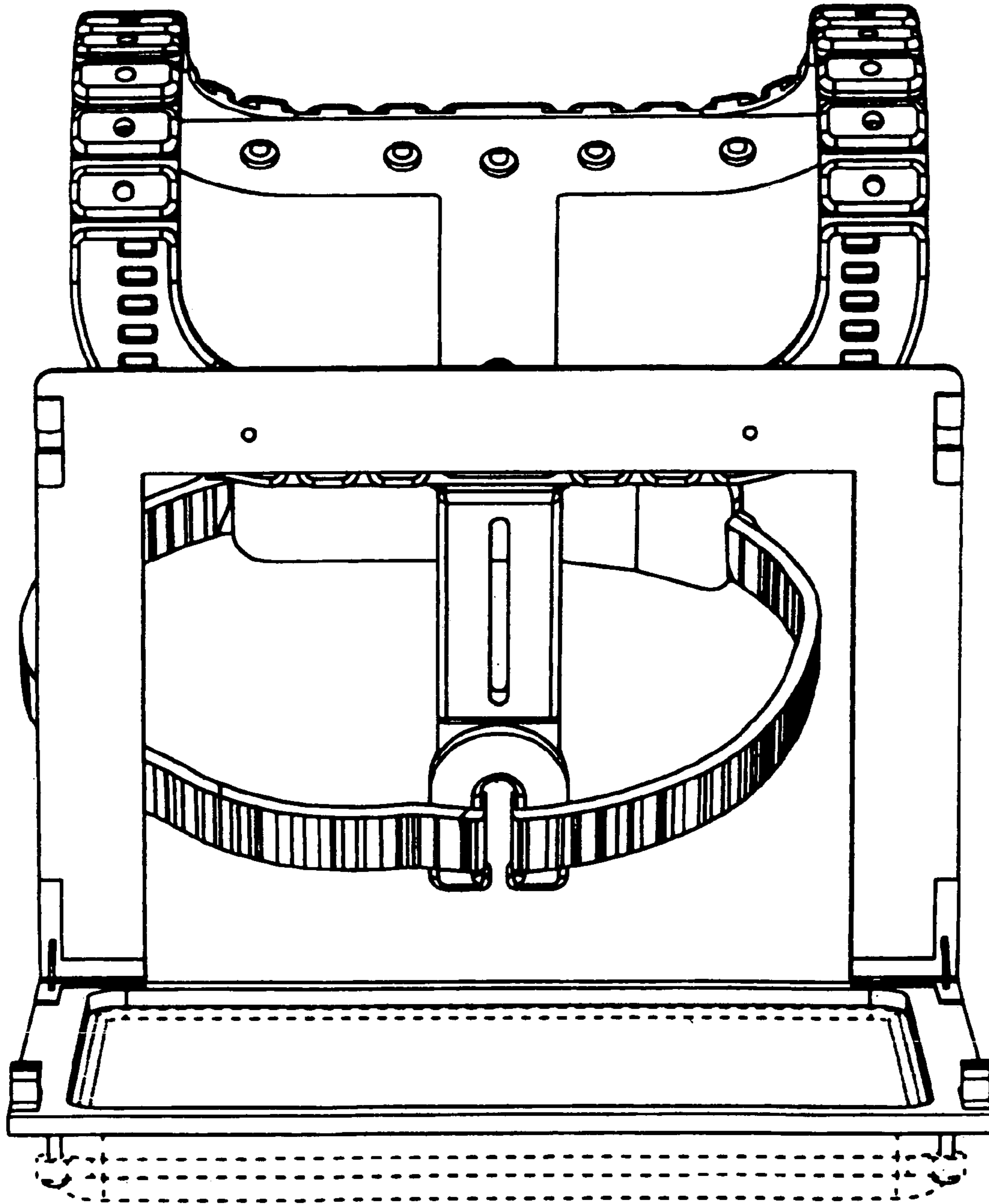
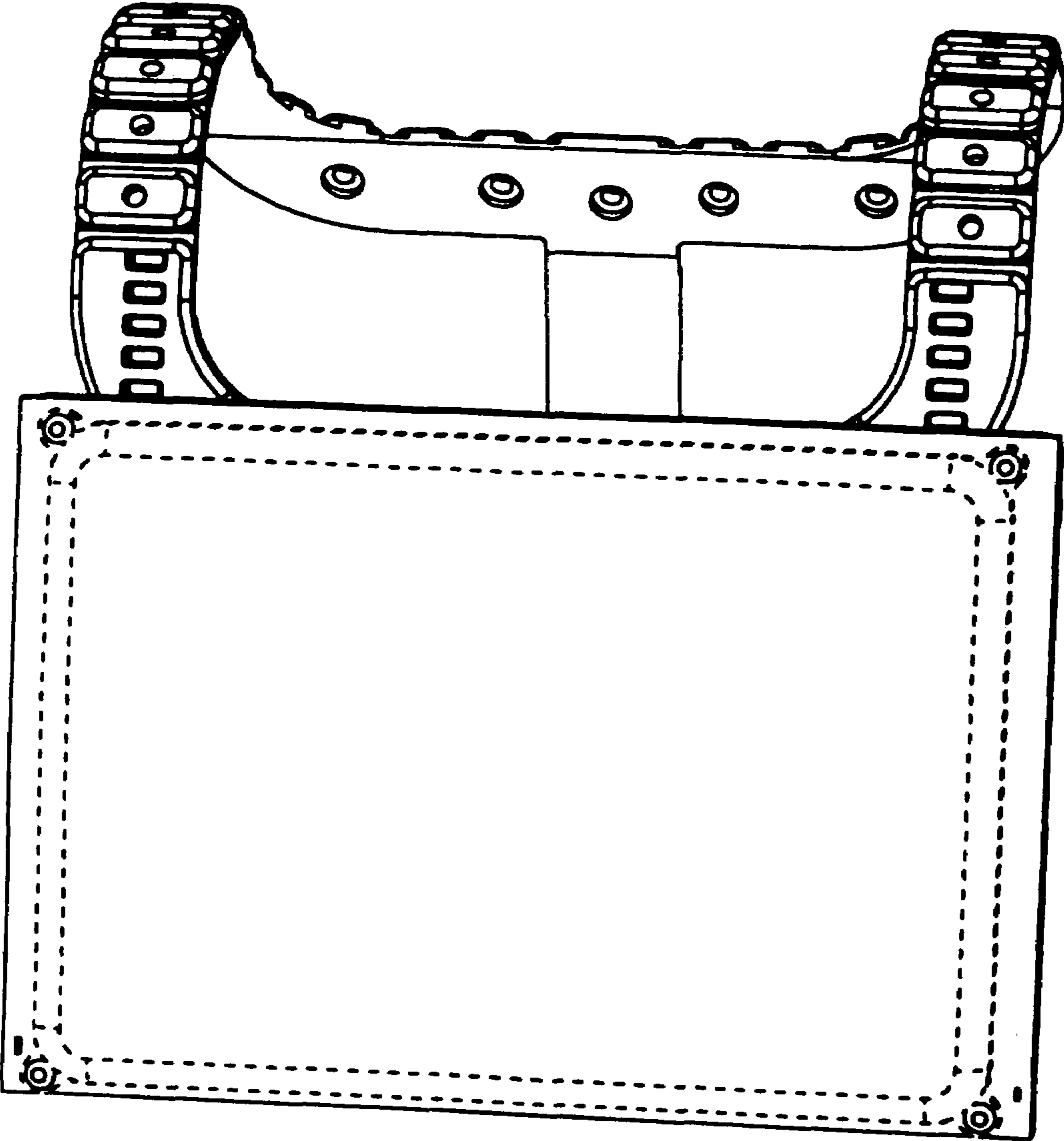


FIG. 4





**FIG.5**



**FIG.6**



FIG. 7

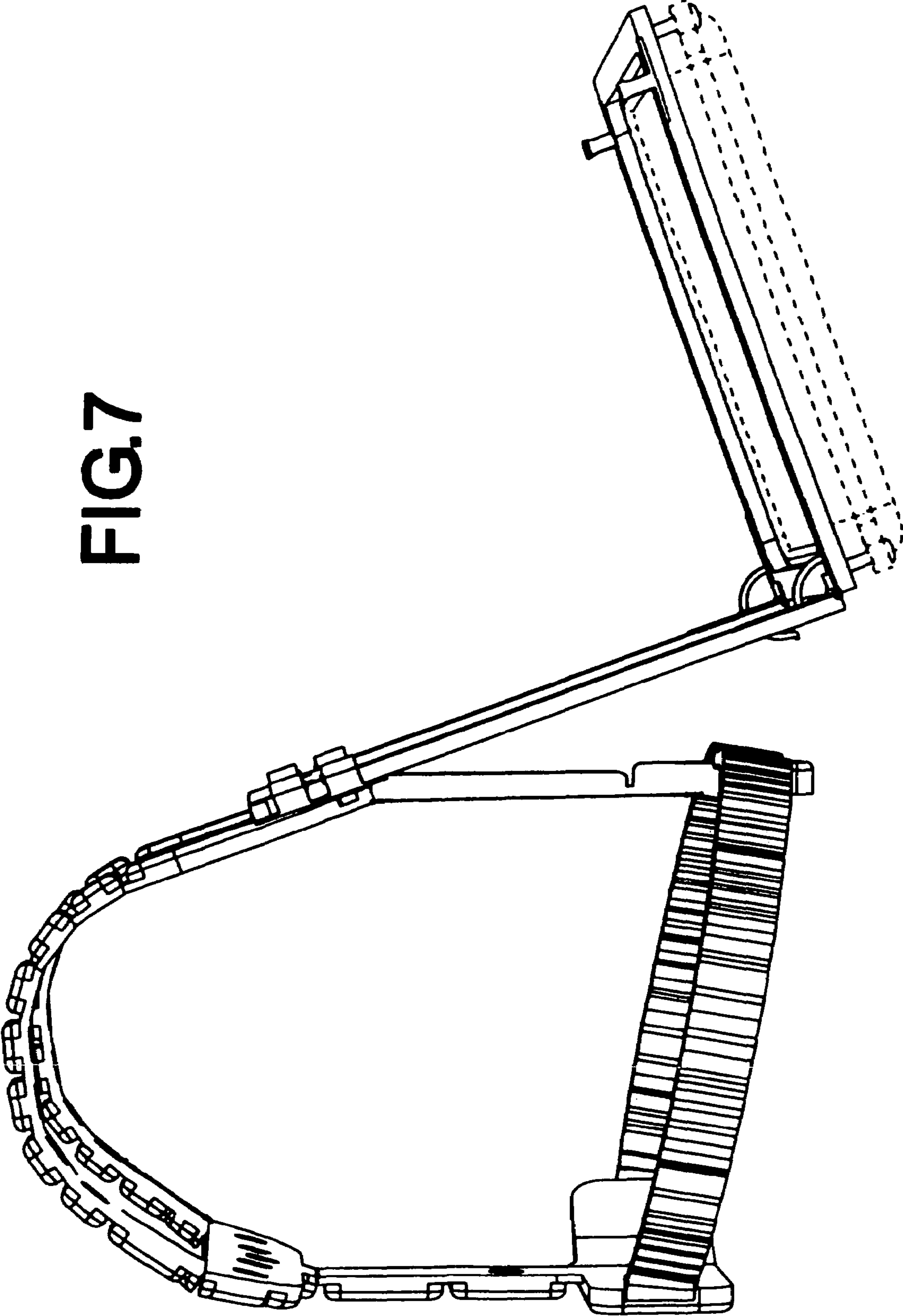
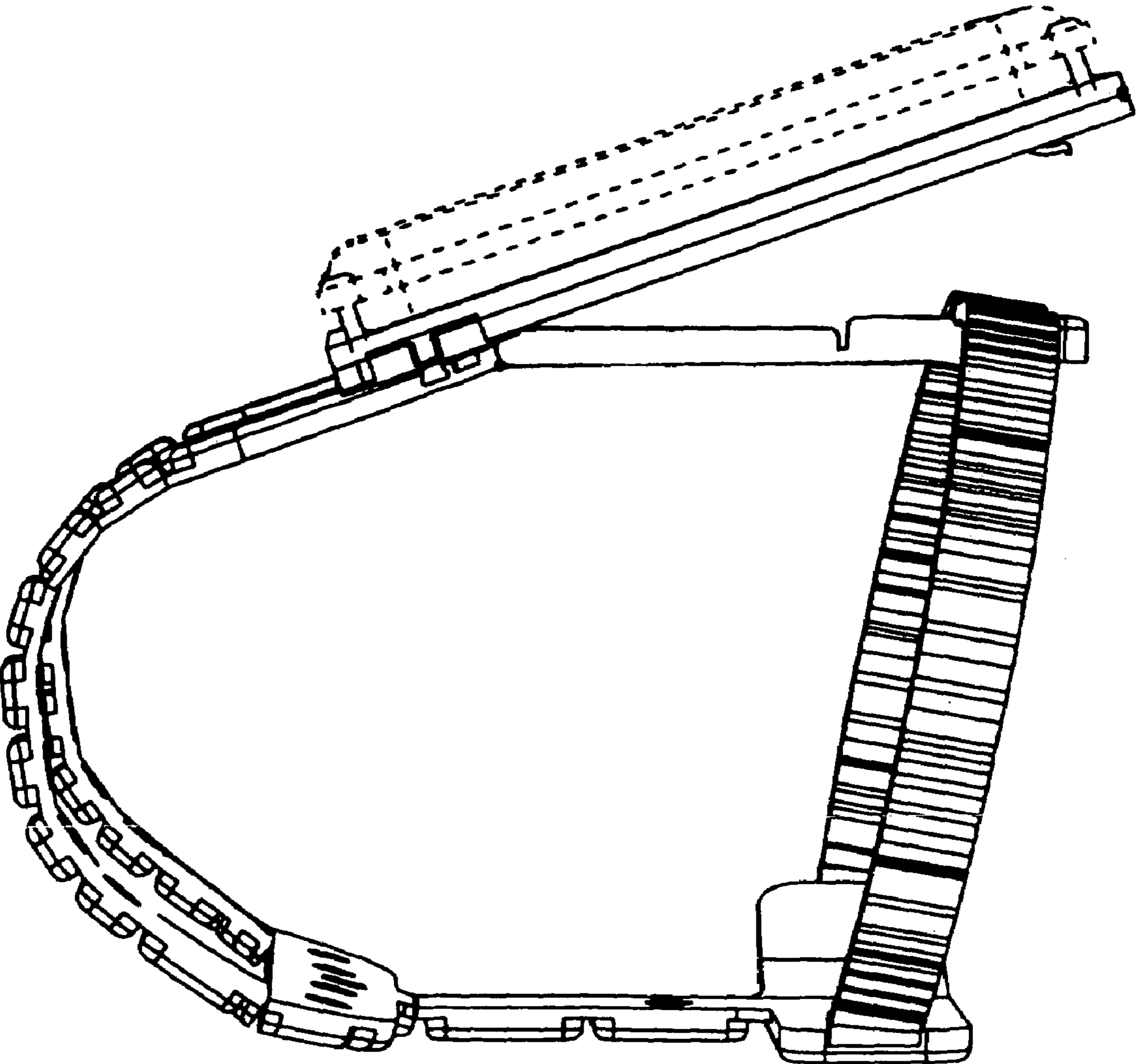


FIG. 8



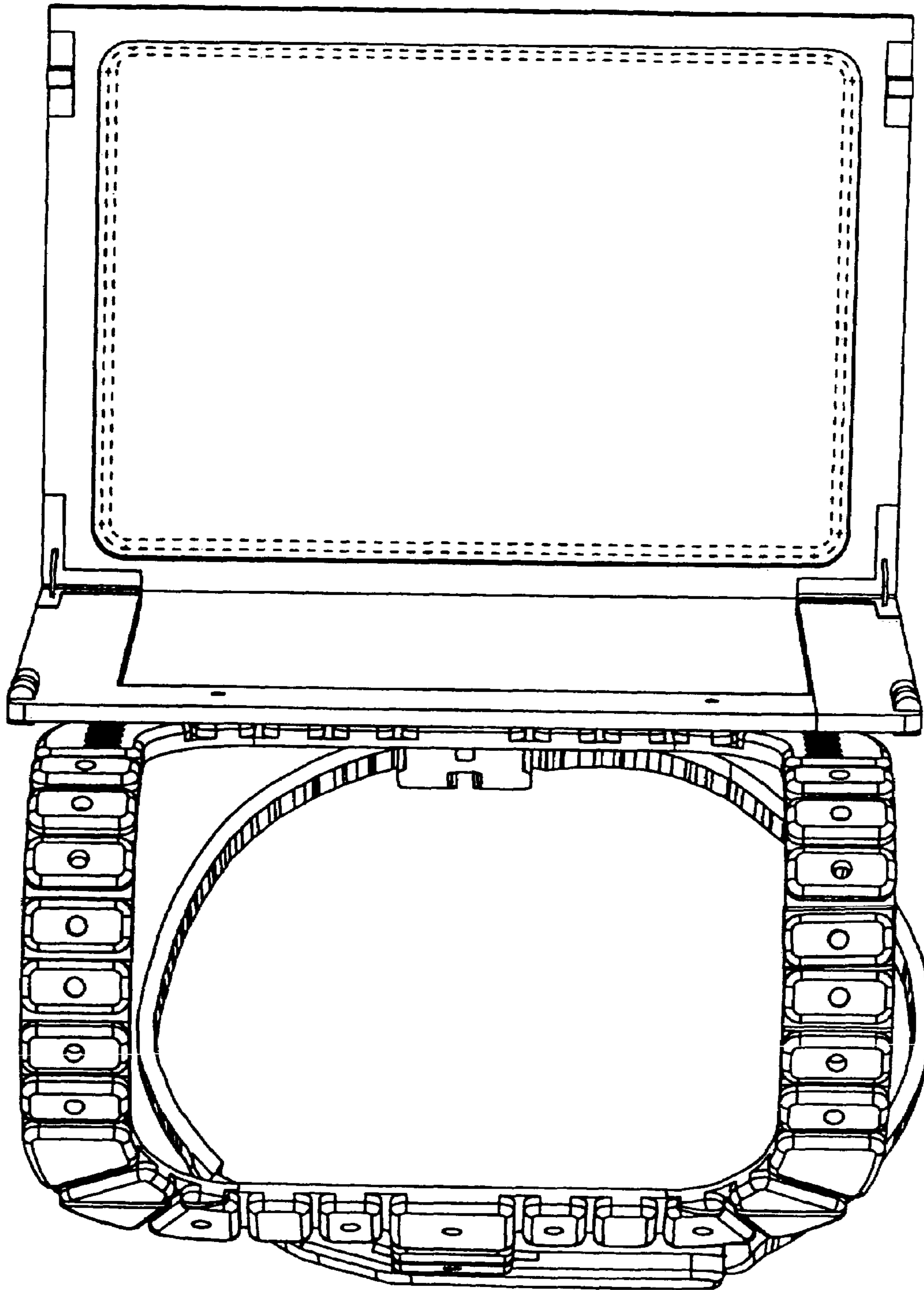
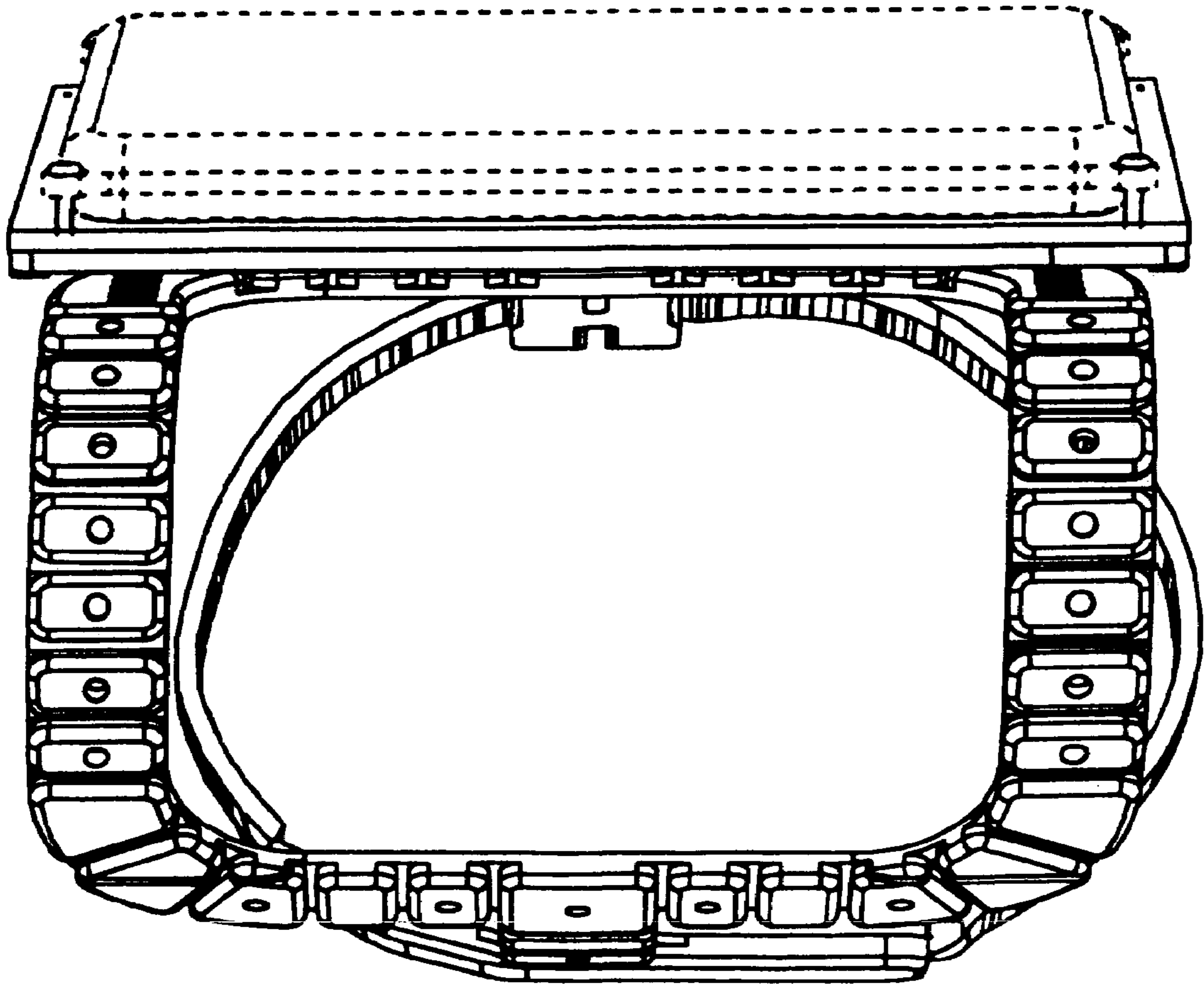


FIG.9



**FIG.10**

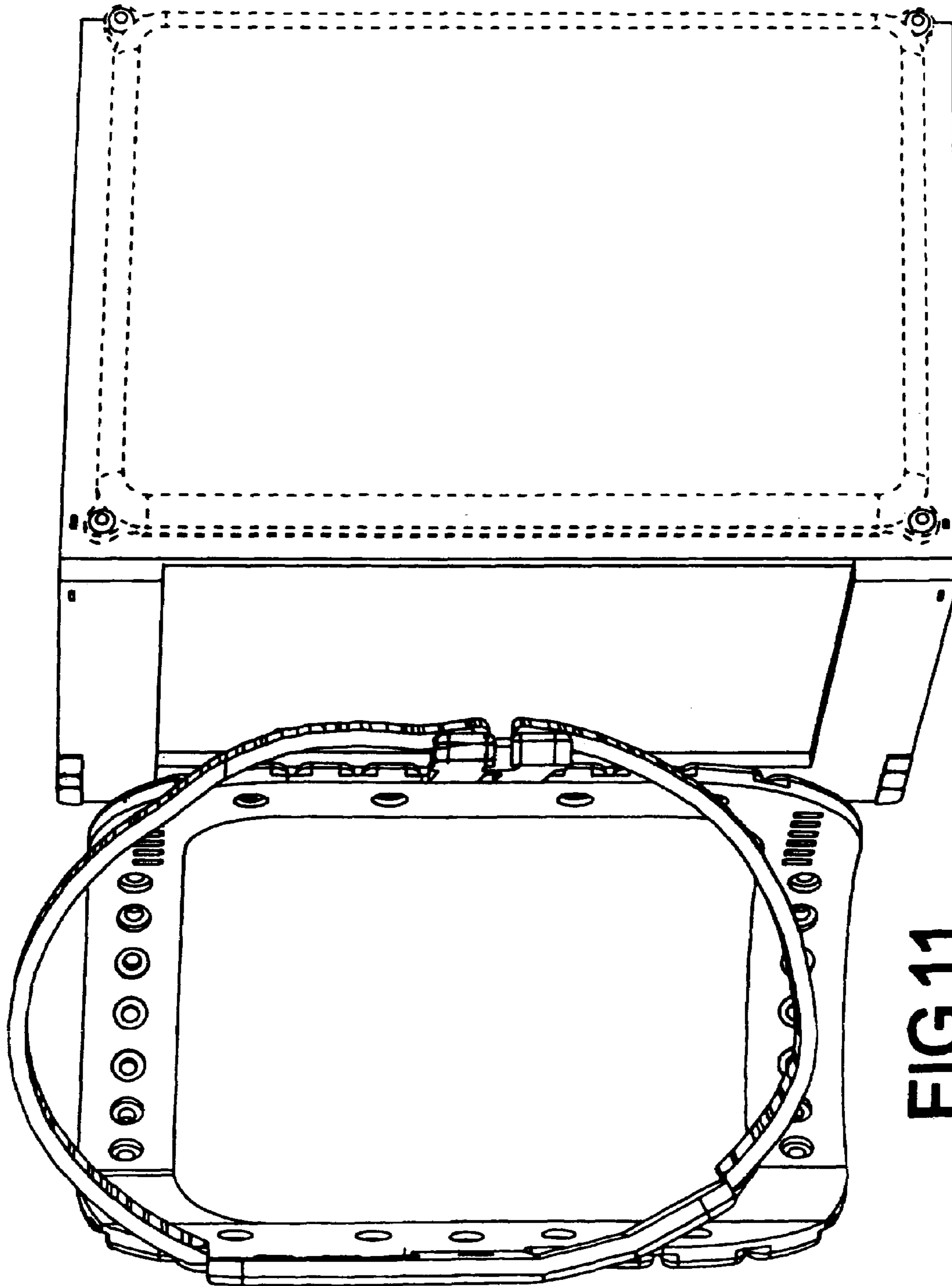


FIG.11

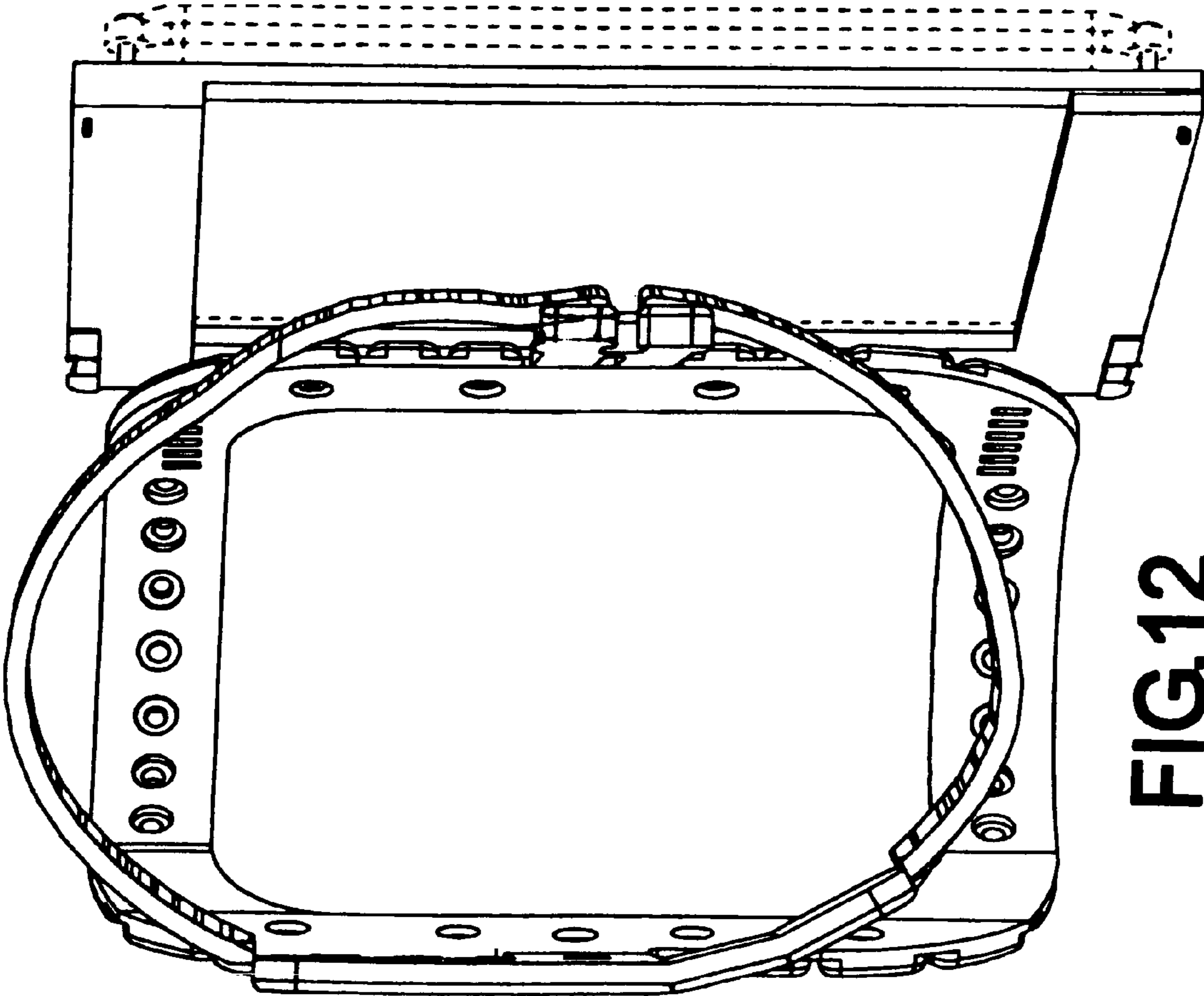


FIG.12

FIG.13

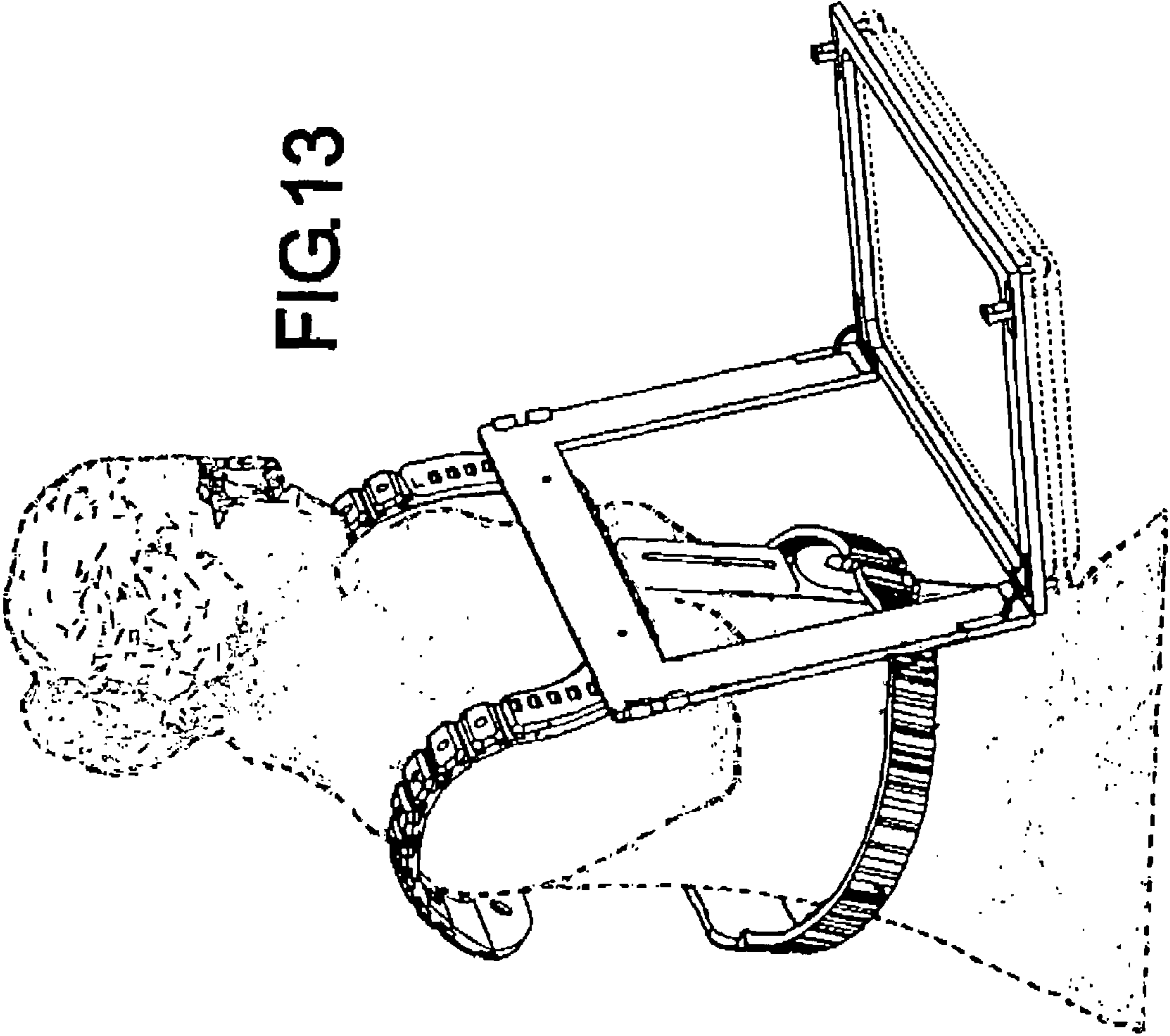


FIG.14

