



US00D558973S

(12) **United States Design Patent**  
**Hussaini et al.**

(10) **Patent No.:** **US D558,973 S**  
(45) **Date of Patent:** **\*\* Jan. 8, 2008**

(54) **AUDIO ACCESSORY AND STORAGE CASE FOR PORTABLE DIGITAL ELECTRONIC DEVICE**

2007/0184781 A1\* 8/2007 Huskinson ..... 455/42  
\* cited by examiner

(75) Inventors: **Saied Hussaini**, Miami, FL (US); **Marc Iacovelli**, Miami, FL (US)

*Primary Examiner*—Catherine R. Oliver  
(74) *Attorney, Agent, or Firm*—Berenato, White & Stavish

(73) Assignee: **I-Tec Electronics, Inc.**, Miami Gardens, FL (US)

(57) **CLAIM**

(\*\*) Term: **14 Years**

The ornamental design for an audio accessory and storage case for portable digital electronic device, as shown and described.

(21) Appl. No.: **29/274,422**

**DESCRIPTION**

(22) Filed: **Apr. 23, 2007**

FIG. 1 is a perspective view of the audio accessory and storage case (shown open) according to the present invention;

(51) **LOC (8) Cl.** ..... **03-01**

(52) **U.S. Cl.** ..... **D3/201; D3/218**

(58) **Field of Classification Search** ..... D3/201, D3/218, 215, 226, 269, 272–273; 206/305, 206/320; 455/90, 92, 42; 379/455; 224/901, 224/904, 682–683; D14/496, 156, 138  
See application file for complete search history.

FIG. 2 is a front elevation view of the inside of the case;

FIG. 3 is a rear elevation view of the outside of the case (shown open);

FIG. 4 is a right side elevation view of the outside of the case;

FIG. 5 is a front elevation view of the inside of the case, opposite the view shown in FIG. 2;

FIG. 6 is a top plan view (shown open);

FIG. 7 is a bottom plan view (shown open); and,

FIG. 8 is a top plan view (shown closed).

(56) **References Cited**

**U.S. PATENT DOCUMENTS**

D517,311 S \* 3/2006 Kim ..... D3/218  
D539,530 S \* 4/2007 Sanderson et al. .... D3/218

**1 Claim, 5 Drawing Sheets**

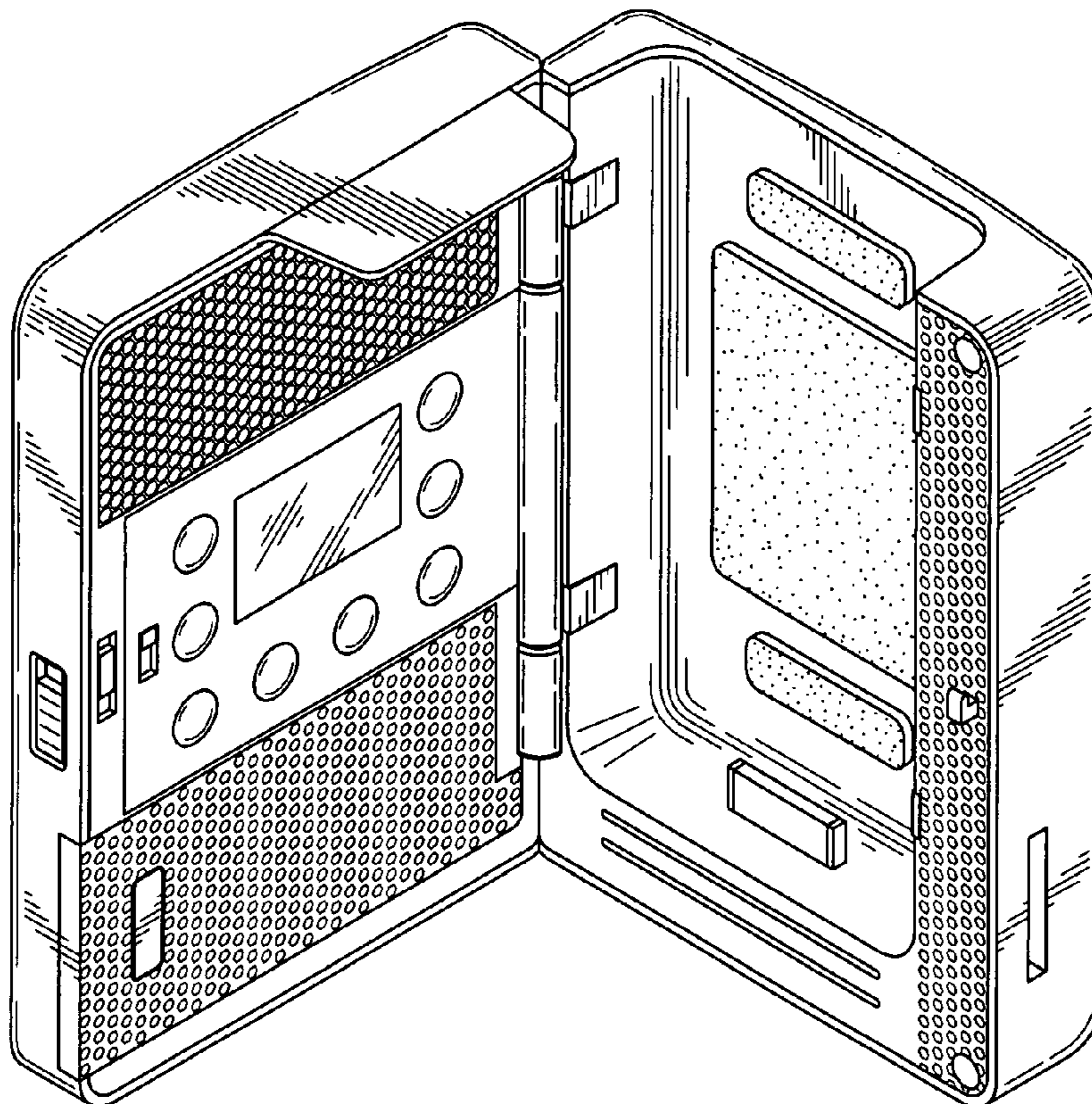


Fig. 1

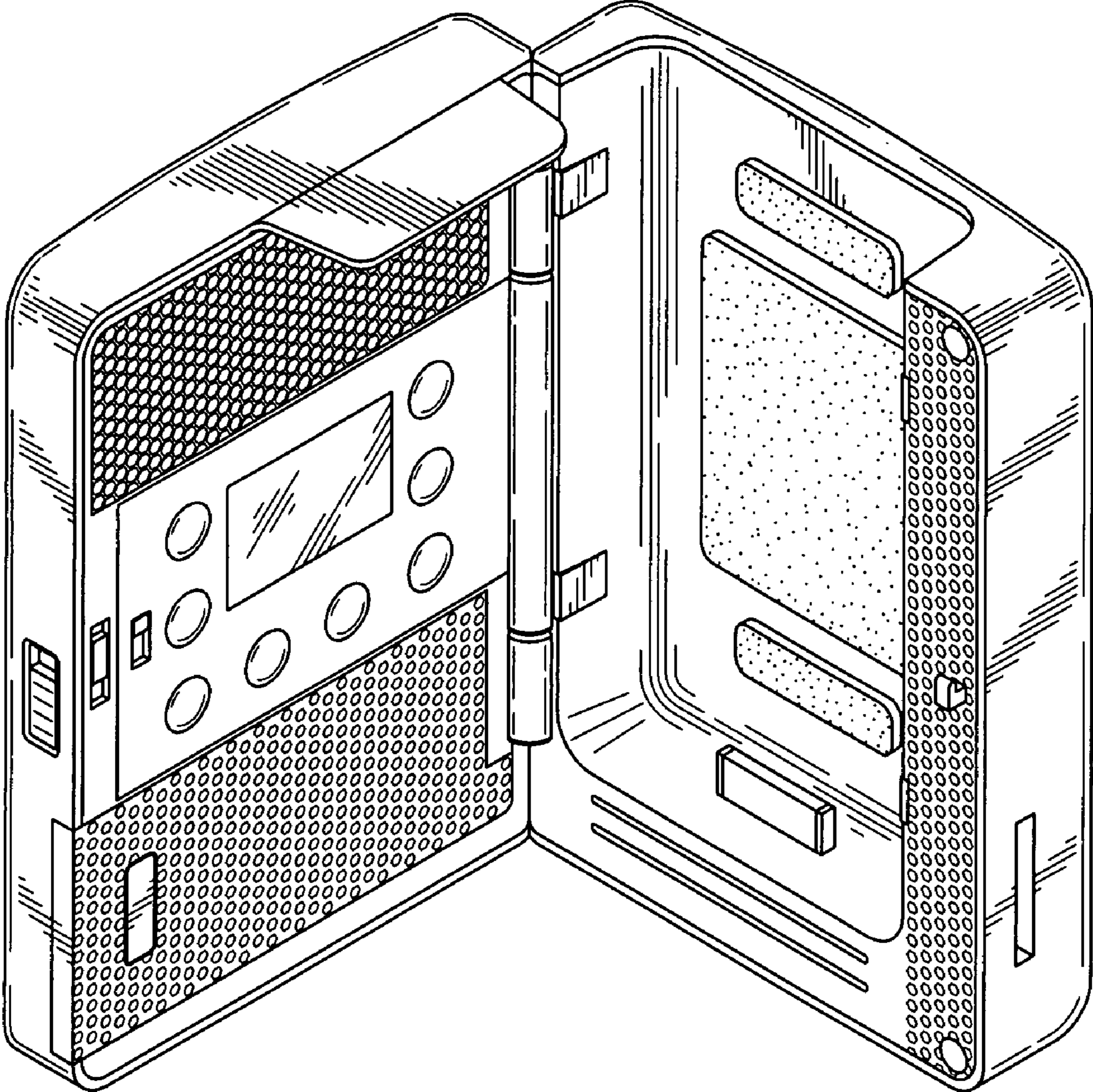




Fig. 2

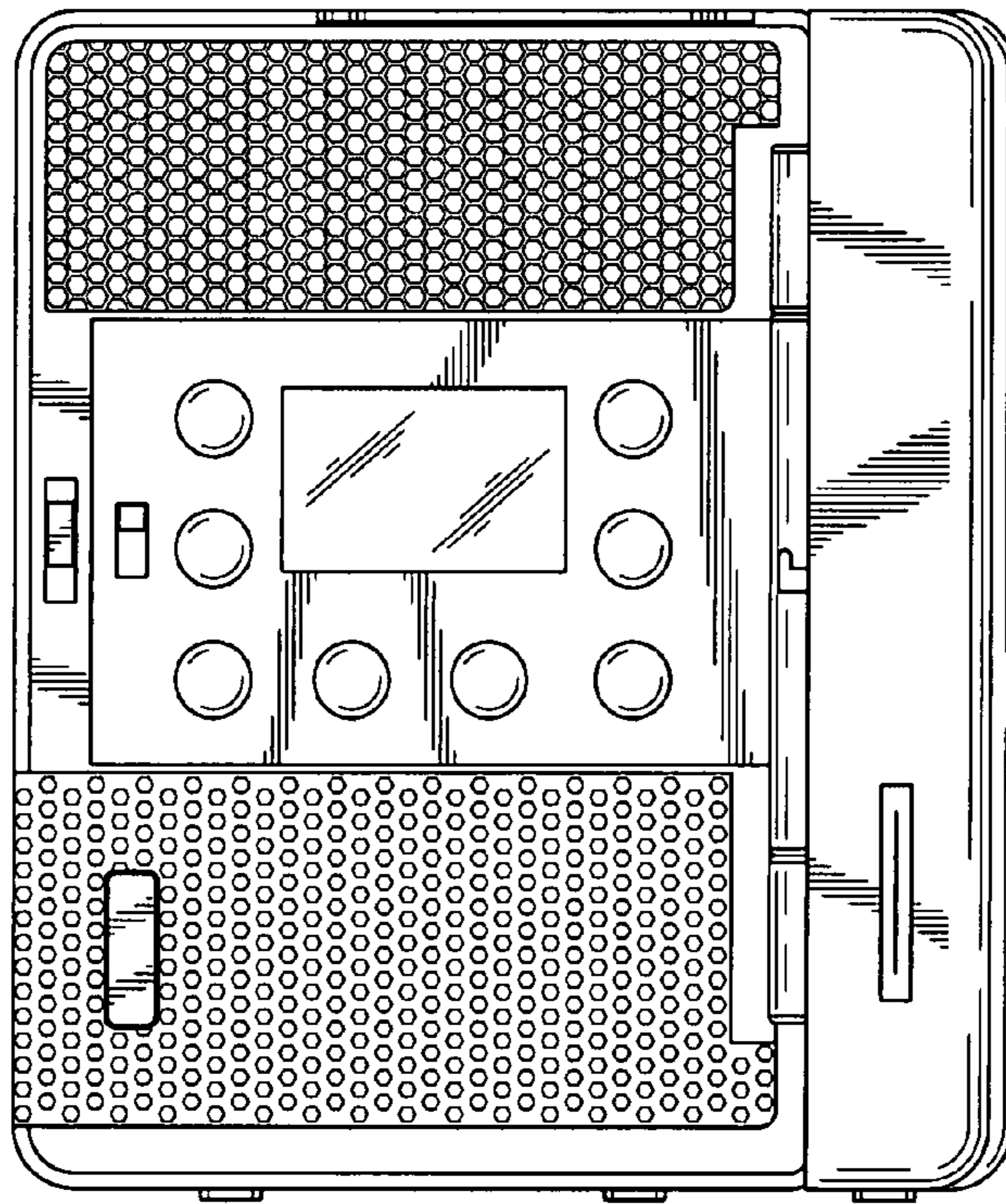


Fig. 3

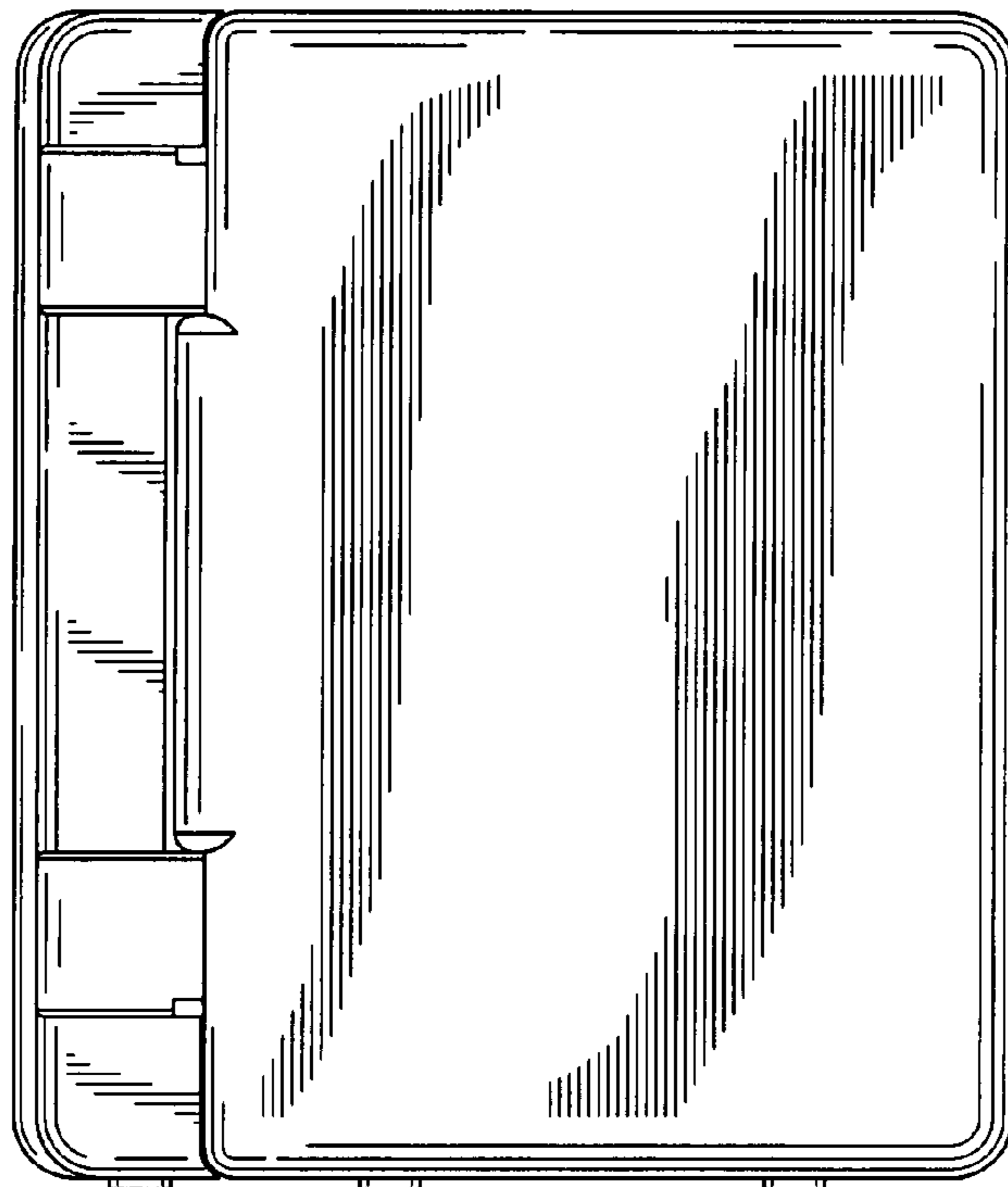


Fig. 4

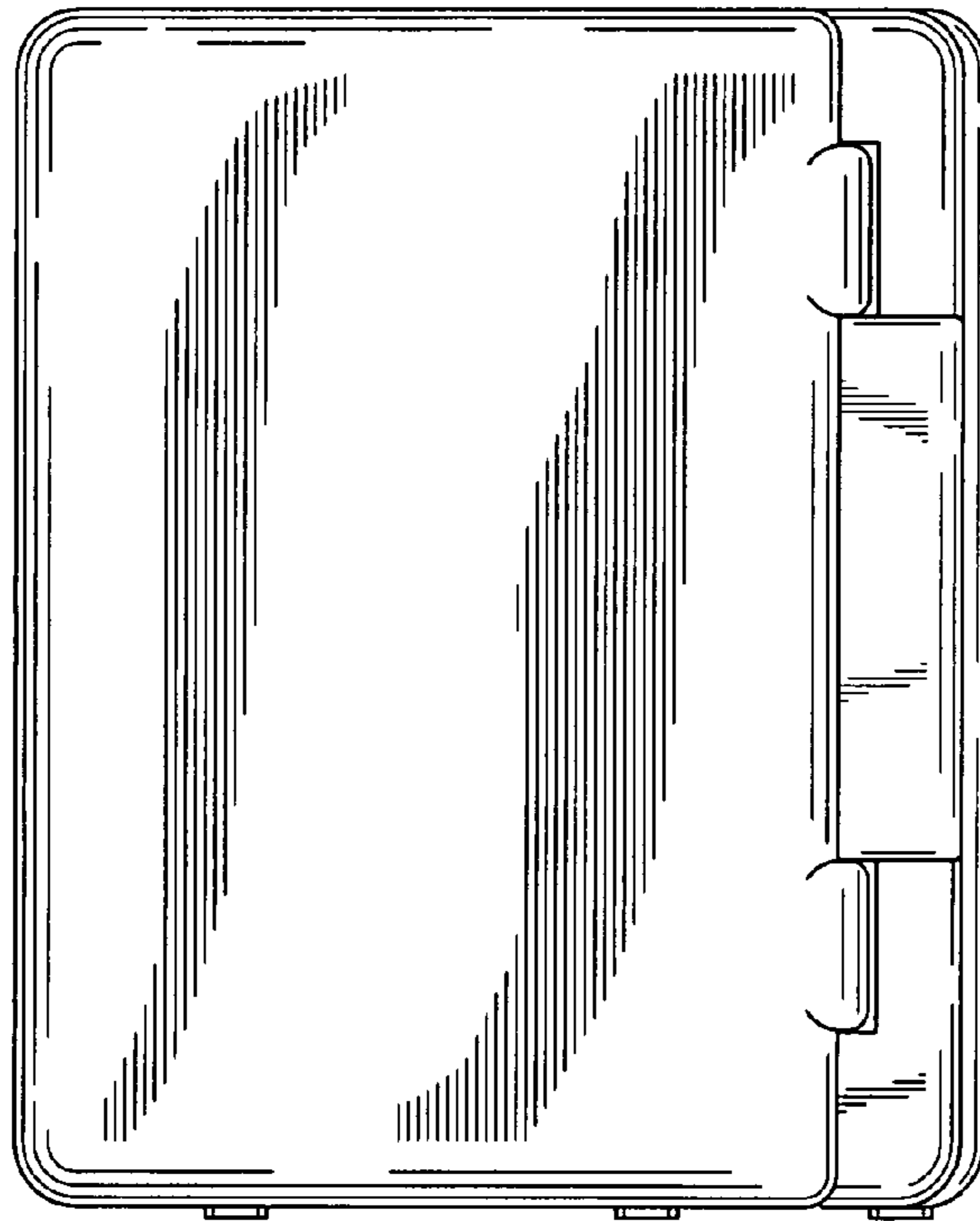


Fig. 5

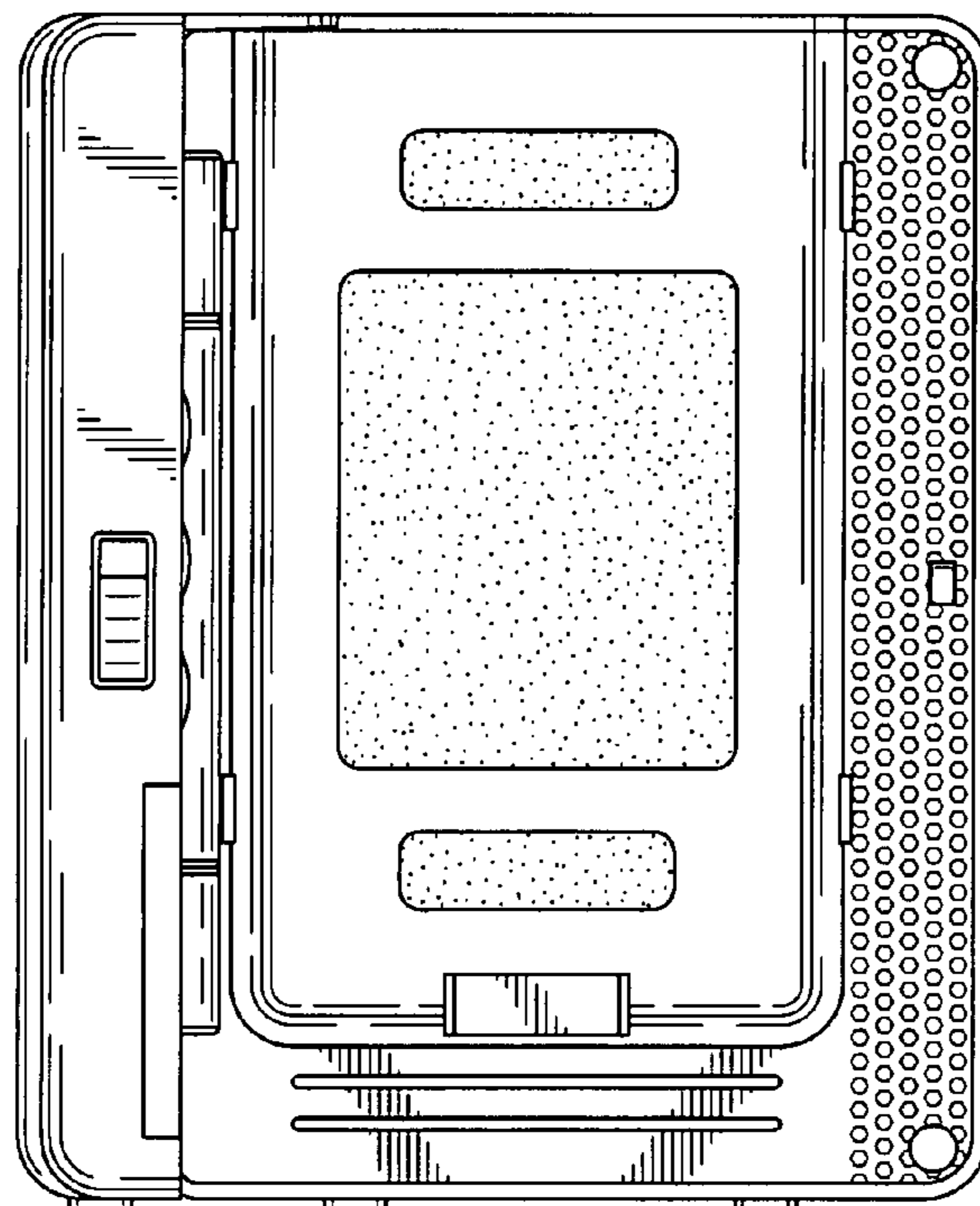


Fig. 6

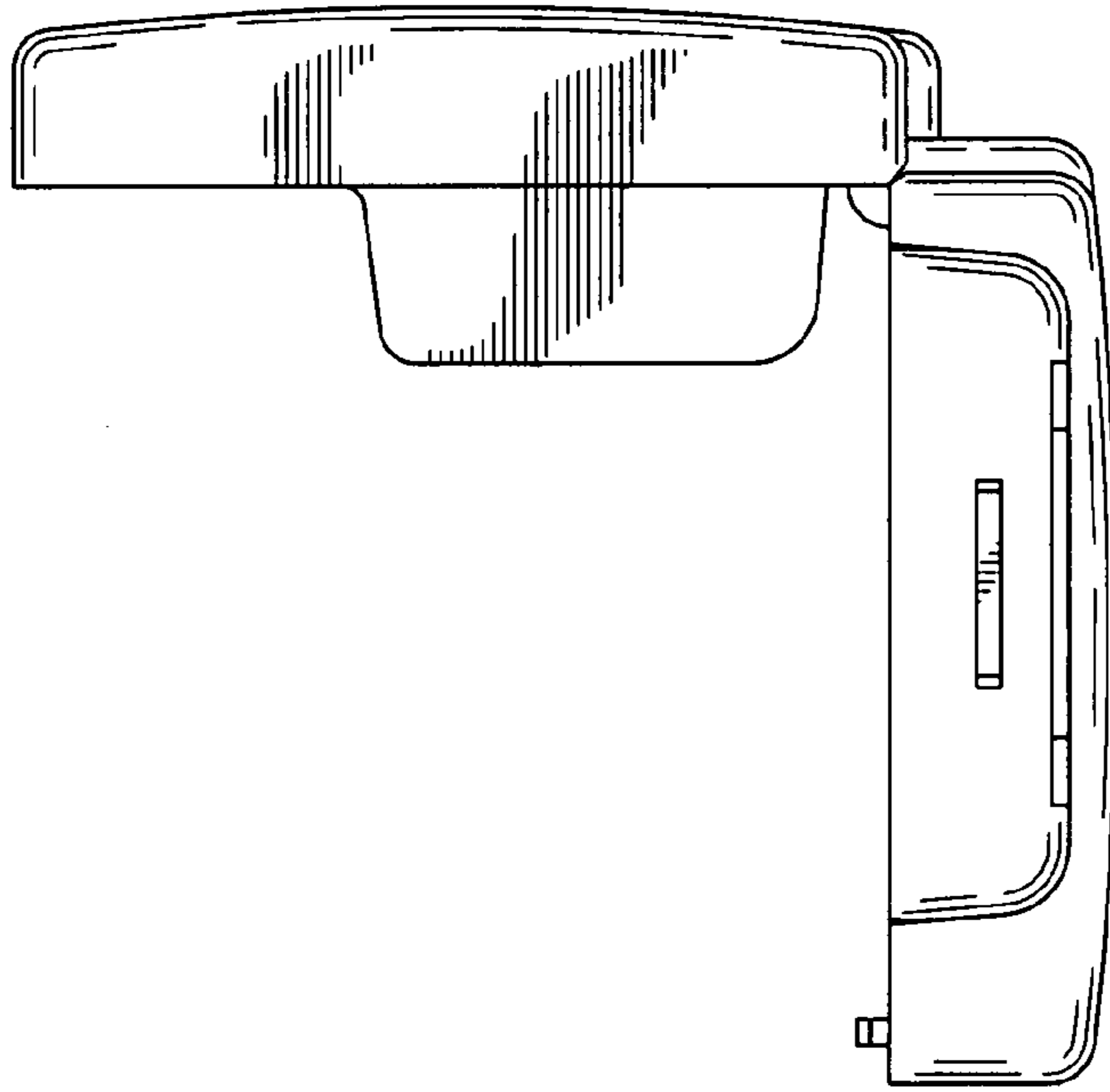


Fig. 7

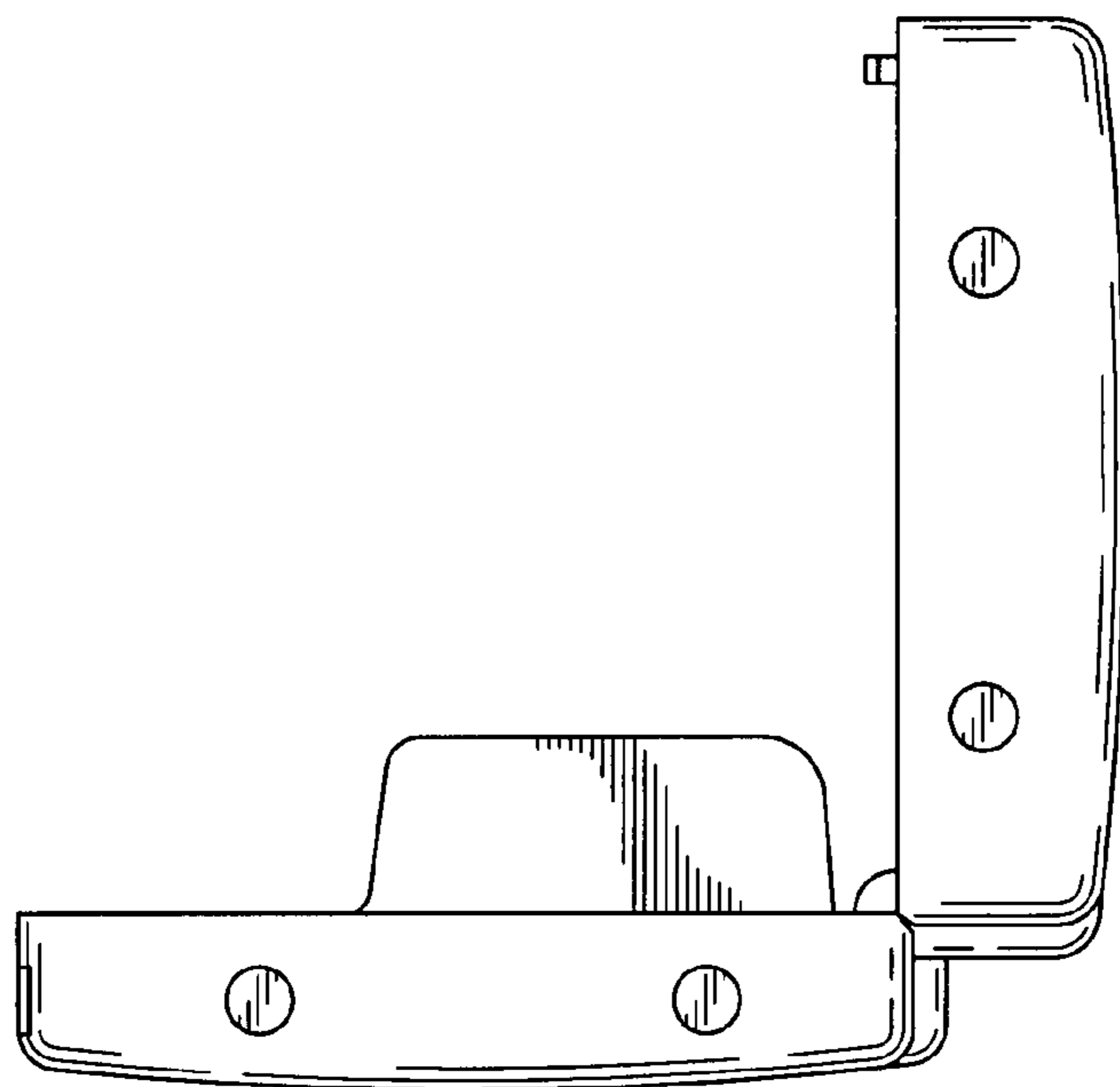


Fig. 8

