



US00D558966S

(12) **United States Design Patent**
Wilkinson

(10) **Patent No.:** **US D558,966 S**
(45) **Date of Patent:** **** Jan. 8, 2008**

(54) **FOOTWEAR**

(75) Inventor: **Rebecca Wilkinson**, London (GB)

(73) Assignee: **J. Choo Limited**, London (GB)

(**) Term: **14 Years**

(21) Appl. No.: **29/269,657**

(22) Filed: **Dec. 5, 2006**

(30) **Foreign Application Priority Data**

Jun. 5, 2006 (EM) 000541768-0015

(51) **LOC (8) Cl.** **02-99**

(52) **U.S. Cl.** **D2/971**

(58) **Field of Classification Search** D2/916-918,
D2/925-945, 971; 36/1, 1.5, 11.5, 9 R
See application file for complete search history.

(56) **References Cited**

U.S. PATENT DOCUMENTS

D102,234 S *	12/1936	Samuels	D2/931
D504,216 S *	4/2005	Choi	D2/971
D525,020 S *	7/2006	Kelsey	D2/971
D527,881 S *	9/2006	Choi	D2/969
D531,785 S *	11/2006	Choi	D2/926

OTHER PUBLICATIONS

U.S. Appl. No. 29/269,426, filed Nov. 30, 2006.

* cited by examiner

Primary Examiner—Dominic Simone

(74) *Attorney, Agent, or Firm*—Fross Zelnick, Lehrman & Zissu, P.C.; Lawrence E. Apolzon, Esq.

(57) **CLAIM**

The ornamental design for footwear, as shown and described.

DESCRIPTION

FIG. 1 is a front perspective view of footwear showing my design;

FIG. 2 is a left side view of the footwear shown in FIG. 1;

FIG. 3 is a right side view of the footwear shown in FIG. 1;

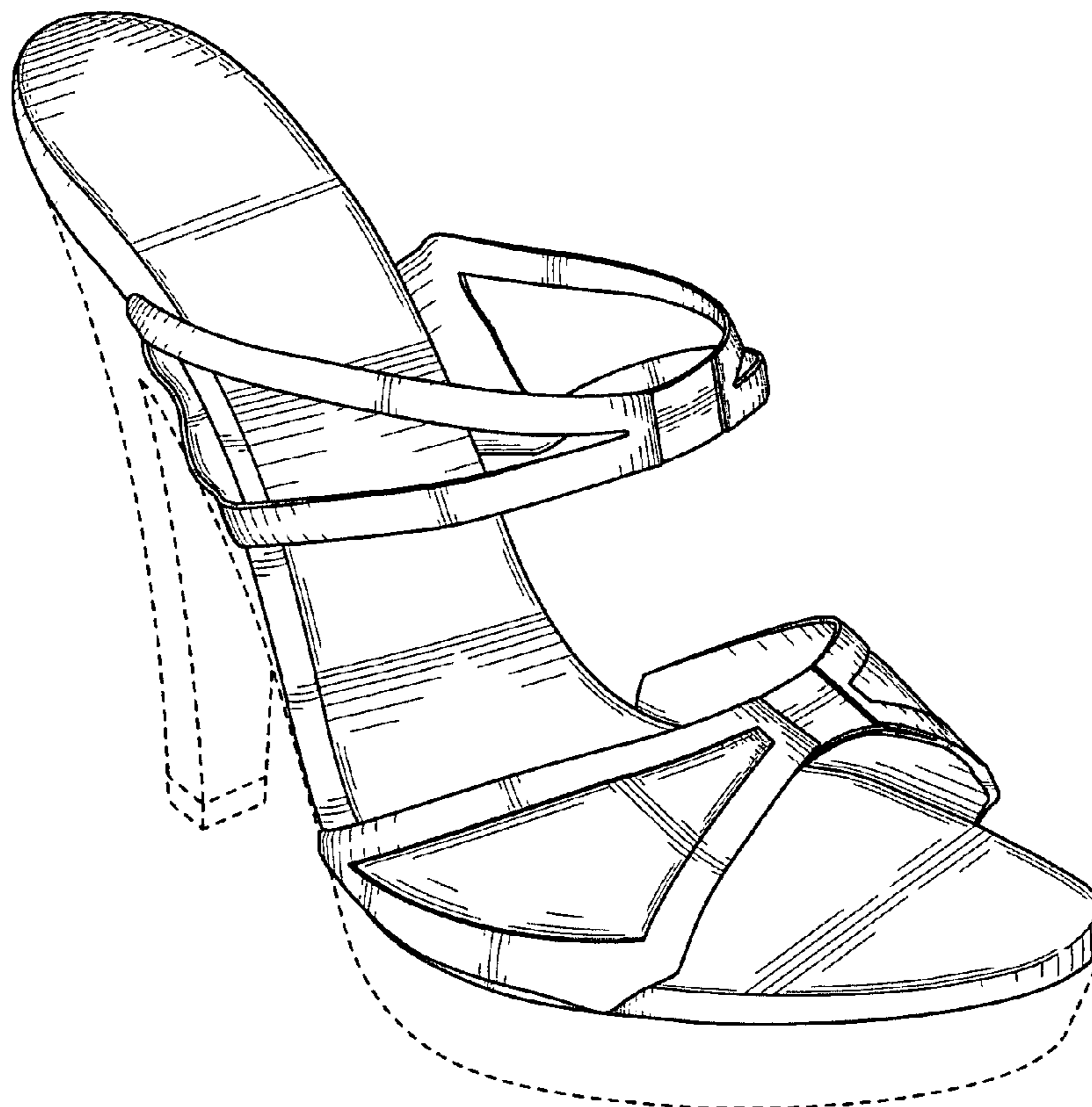
FIG. 4 is a front view of the footwear shown in FIG. 1;

FIG. 5 is a rear view of the footwear shown in FIG. 1; and,

FIG. 6 is a top view of the footwear shown in FIG. 1.

The broken line showing of the sole, heel and heel cap is for illustrative purposes only and forms no part of the claimed design.

1 Claim, 6 Drawing Sheets



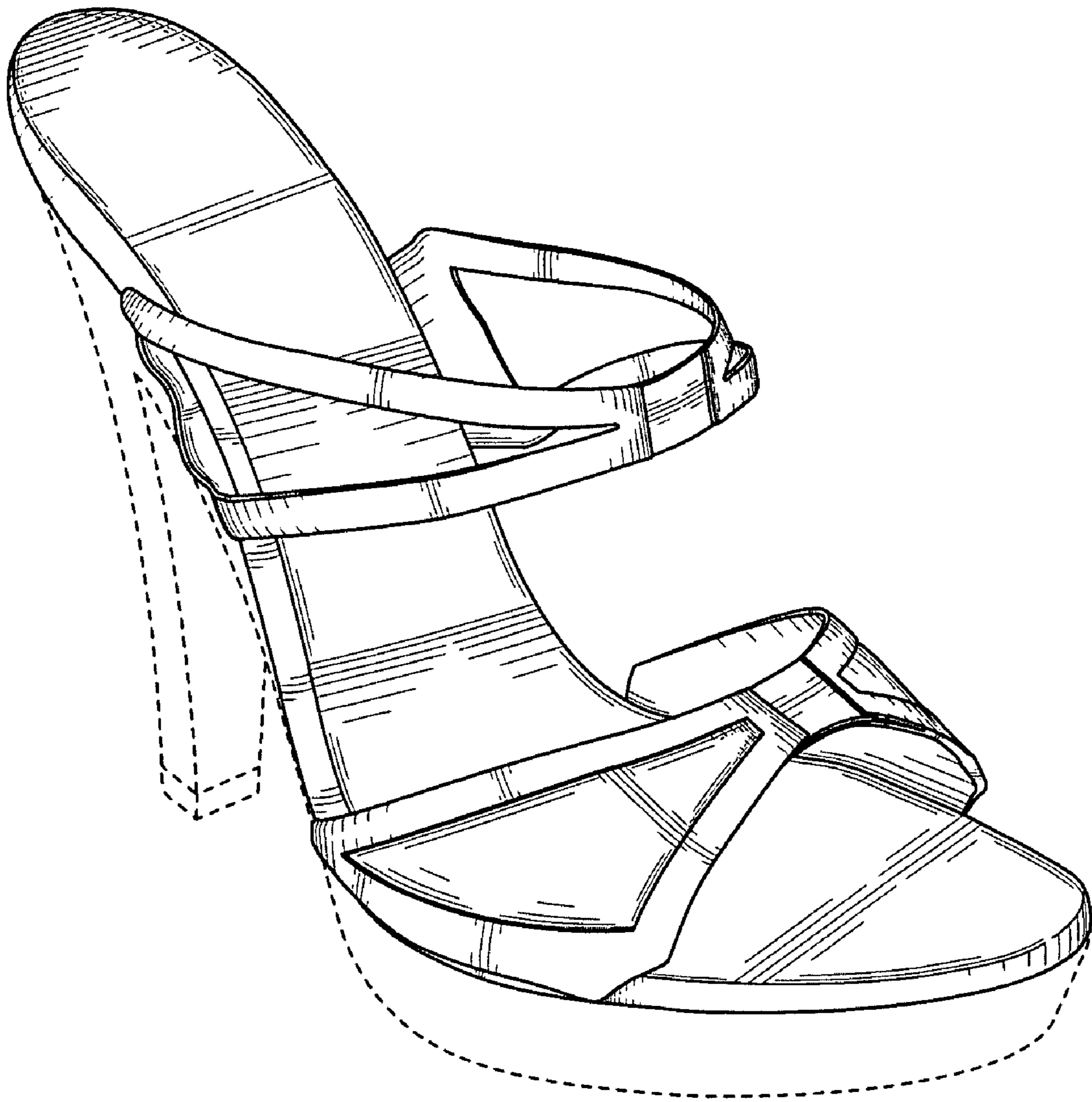


FIG. 1

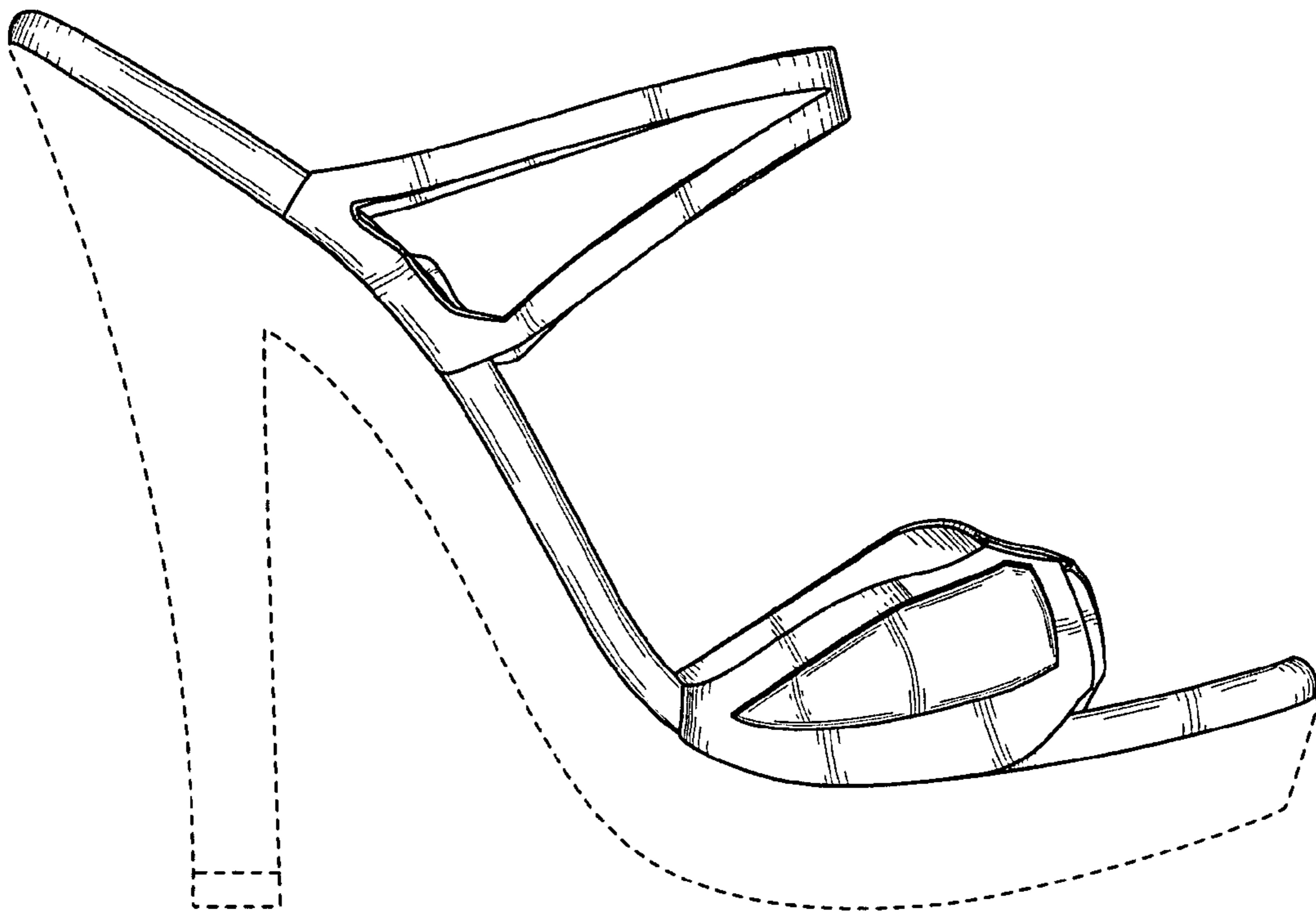


FIG. 2

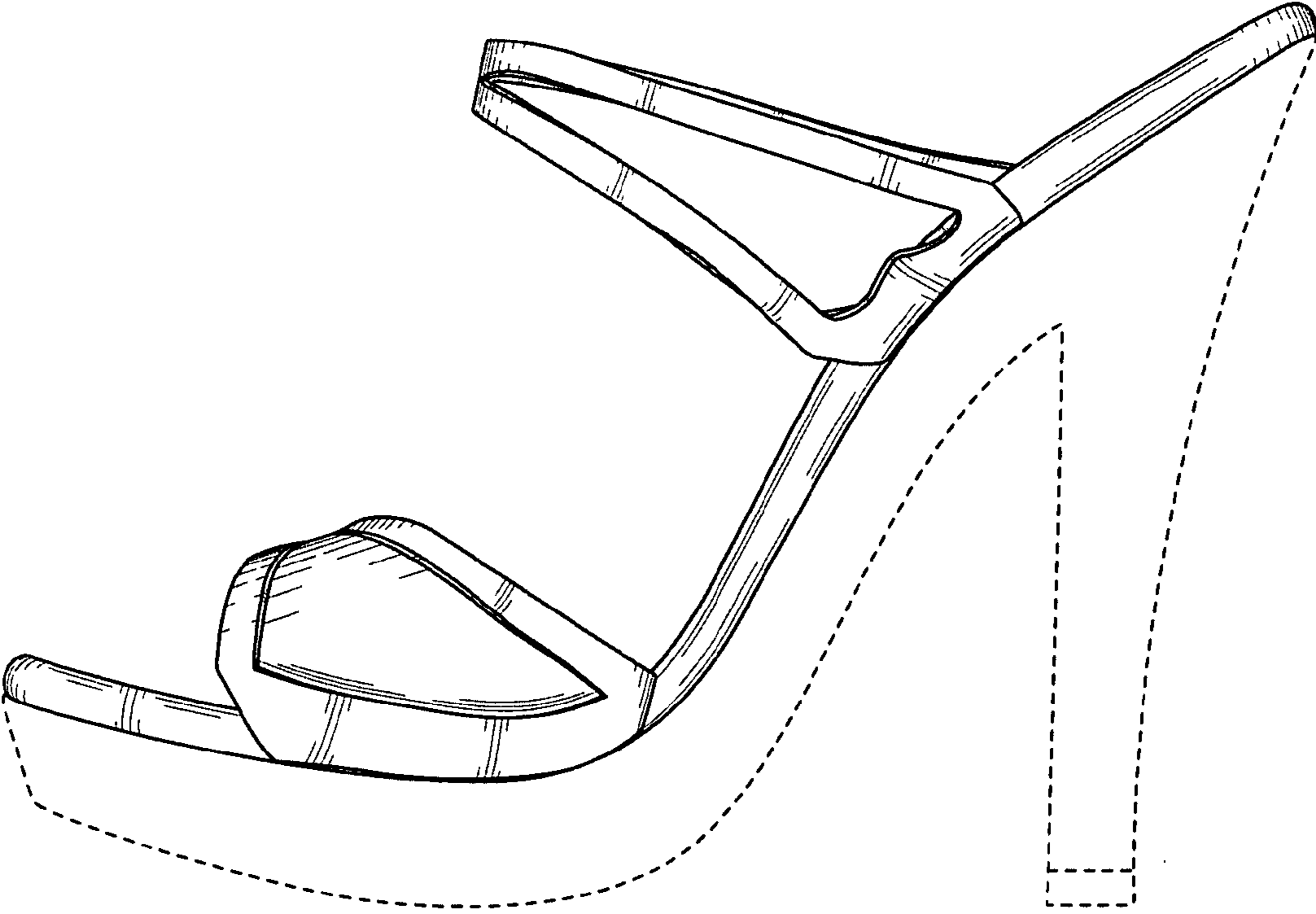


FIG. 3

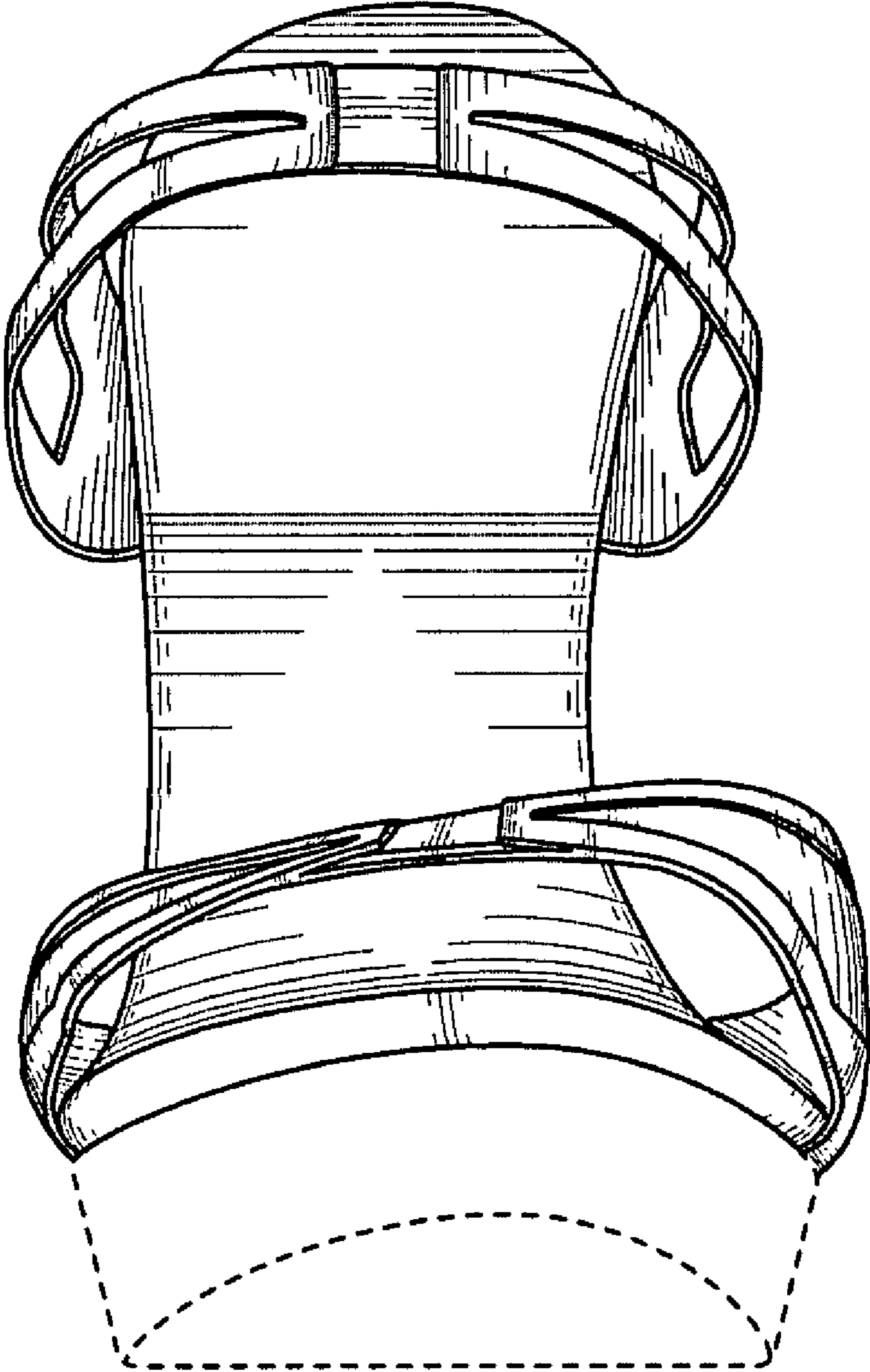


FIG. 4

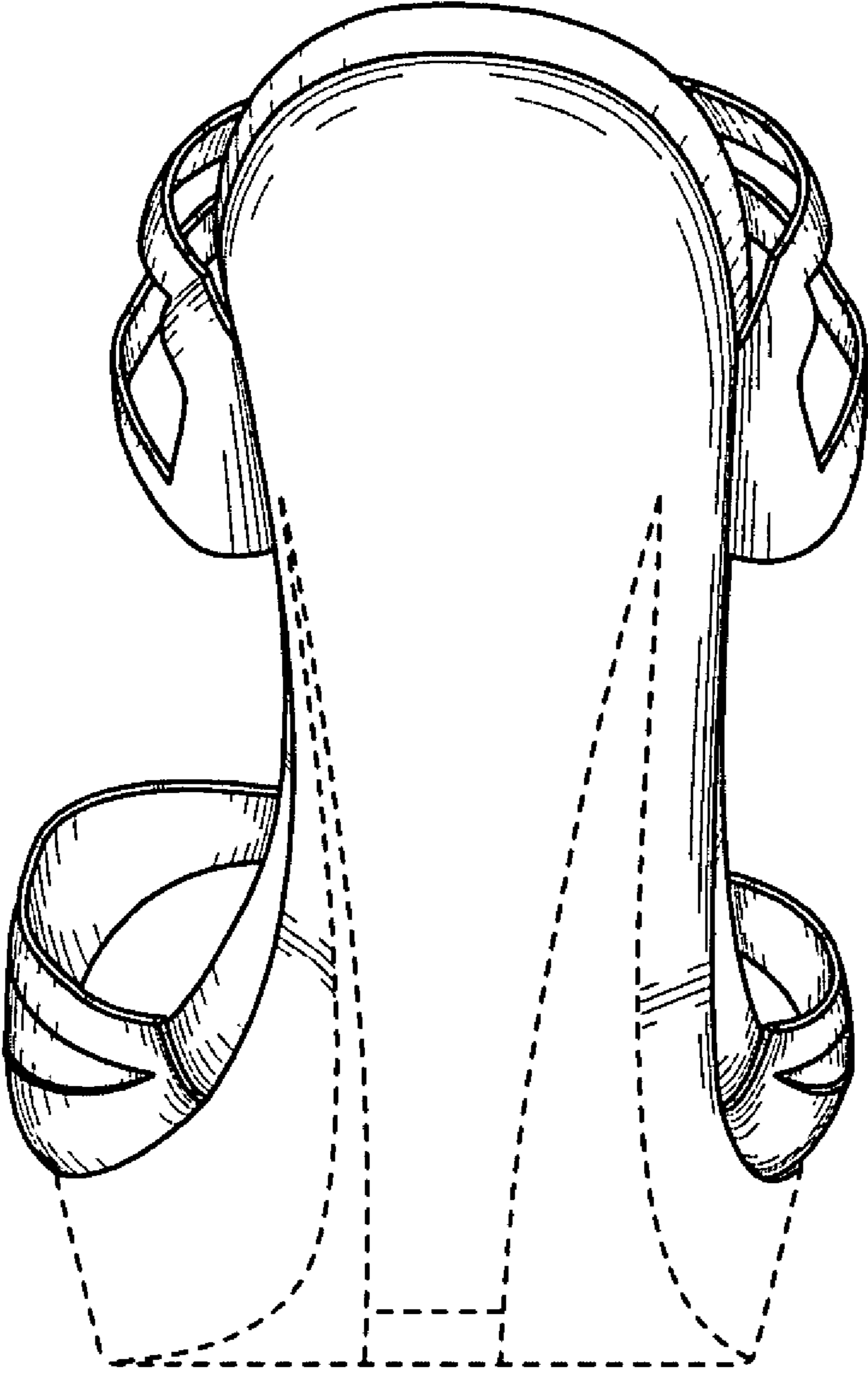


FIG. 5

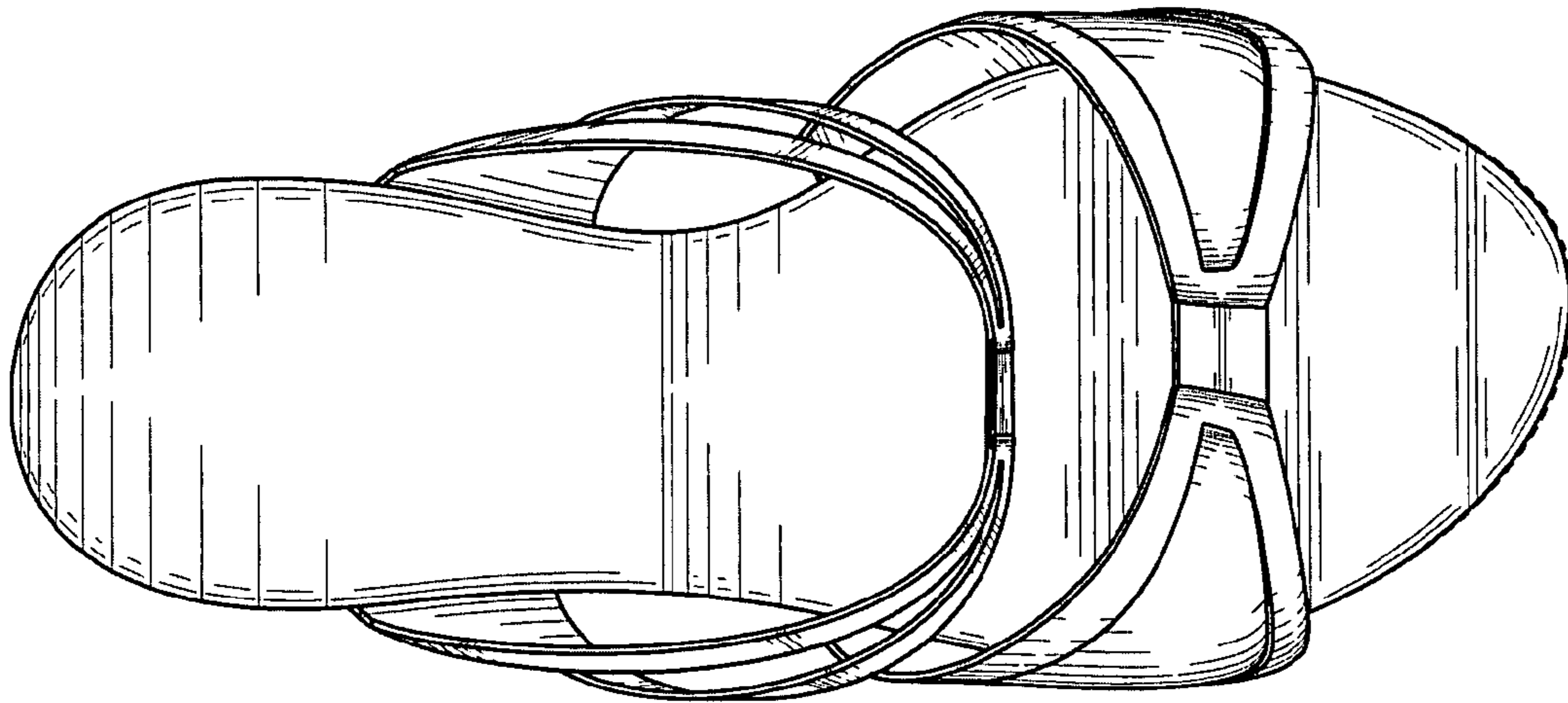


FIG. 6