



US00D558955S

(12) **United States Design Patent**
Taylor

(10) **Patent No.:** **US D558,955 S**

(45) **Date of Patent:** **** *Jan. 8, 2008**

(54) **HEAD GEAR WITH PROJECTING INDICIA**

(75) **Inventor:** **Philip Anthony Taylor**, Columbus, OH (US)

(73) **Assignee:** **Philip Anthony Kaps, Inc.**, Lawrenceville, GA (US)

(*) **Notice:** This patent is subject to a terminal disclaimer.

(**) **Term:** **14 Years**

(21) **Appl. No.:** **29/211,591**

(22) **Filed:** **Aug. 19, 2004**

(51) **LOC (8) Cl.** **02-03**

(52) **U.S. Cl.** **D2/872**

(58) **Field of Classification Search** D2/865, D2/867, 869, 893, 872-874, 876, 877, 879, D2/882, 885, 886; 2/171, 175.5, 175.1-175.3, 2/181, 183, 209.11-209.14, 209.5, 195.1, 2/195.2-195.7; D11/61, 161, 29, 213, 231, D11/184; D19/52; D20/18; 40/576, 620, 40/622, 618; 114/410; 52/38; 434/399; 29/464

See application file for complete search history.

(56) **References Cited**

U.S. PATENT DOCUMENTS

3,063,199 A * 11/1962 Marcin 52/38
3,477,159 A * 11/1969 Bank 40/618
4,914,755 A * 4/1990 Motley 434/399
5,253,368 A * 10/1993 Blake 2/209.13

5,404,593 A * 4/1995 Kronenberger 2/195.1
5,943,702 A * 8/1999 Kronenberger 2/171.1
5,983,400 A * 11/1999 Kronenberger 2/209.13
6,158,055 A * 12/2000 Park 2/195.1
6,175,963 B1 * 1/2001 Loeffelholz 2/209.13
6,339,844 B1 * 1/2002 Merkley 2/195.3
6,385,840 B1 * 5/2002 Scarfia 29/464
6,519,779 B1 * 2/2003 Taguchi 2/209.12

* cited by examiner

Primary Examiner—Robert M. Spear

Assistant Examiner—Mary Ann Calabrese

(74) *Attorney, Agent, or Firm*—Alston & Bird LLP

(57) **CLAIM**

I claim the ornamental design for a head gear with projecting indicia, as shown and described.

DESCRIPTION

FIG. 1 is a left side view of a head gear with projecting indicia showing my new design: the right side being a mirror image.

FIG. 2 is an enlarged front view thereof;

FIG. 3 is a top view thereof; and,

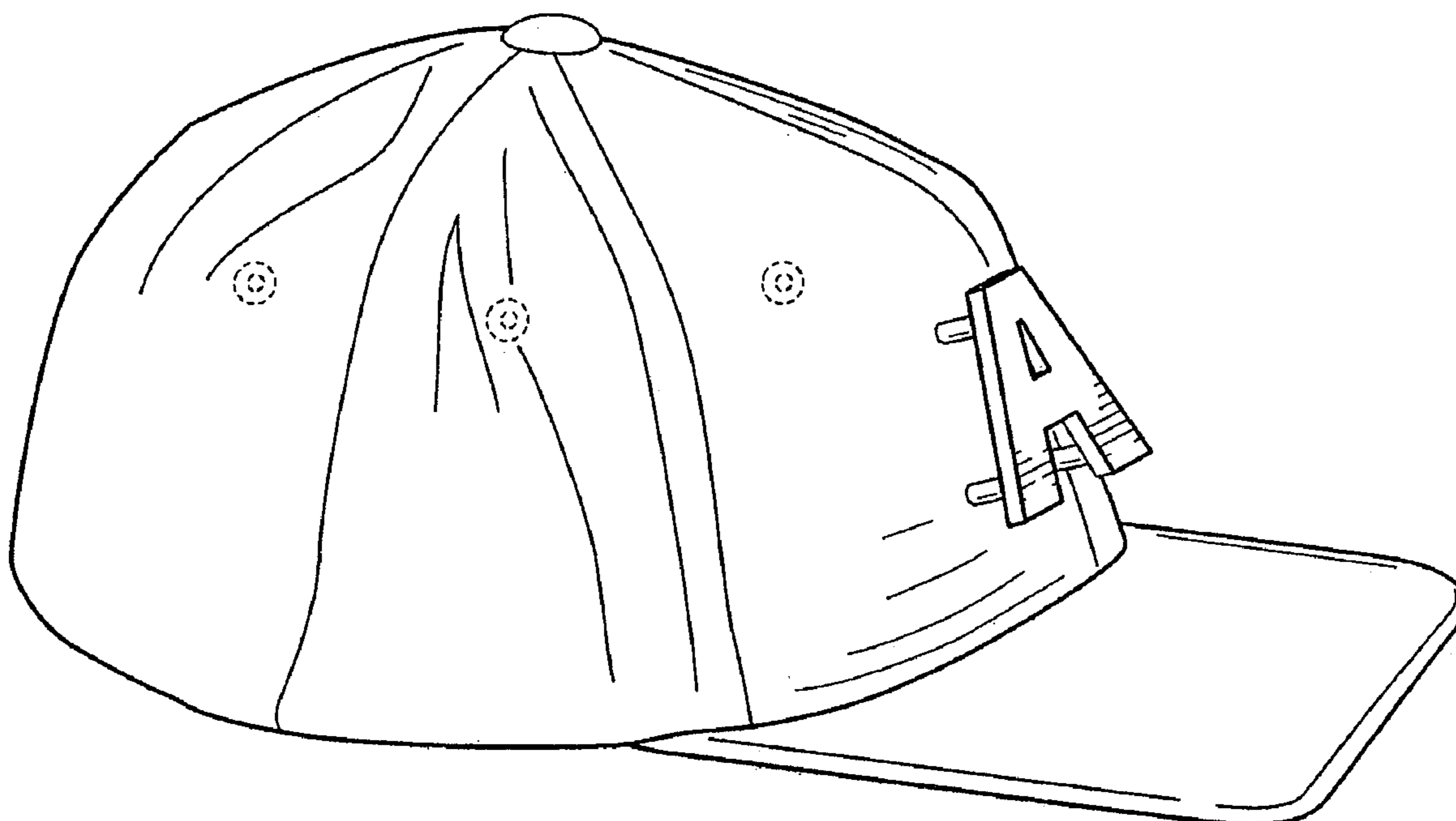
FIG. 4 is a fragmentary perspective view thereof.

The bottom view is not visible during normal use and has been omitted.

The bottom view is not visible during normal use and has been omitted:

The broken lines shown herein are for illustrative purposes and form no part of the claimed design.

1 Claim, 4 Drawing Sheets



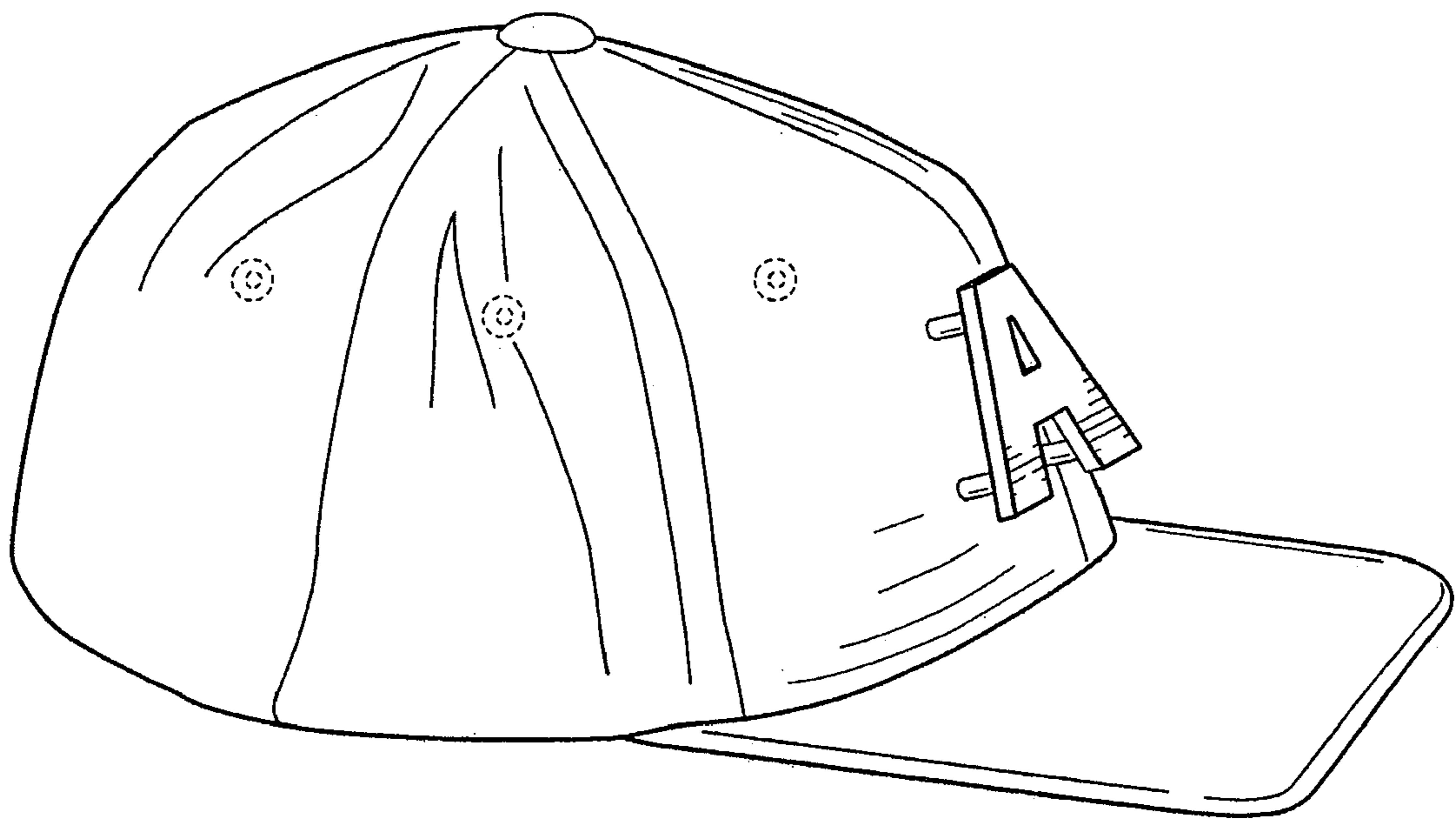


FIG. 1

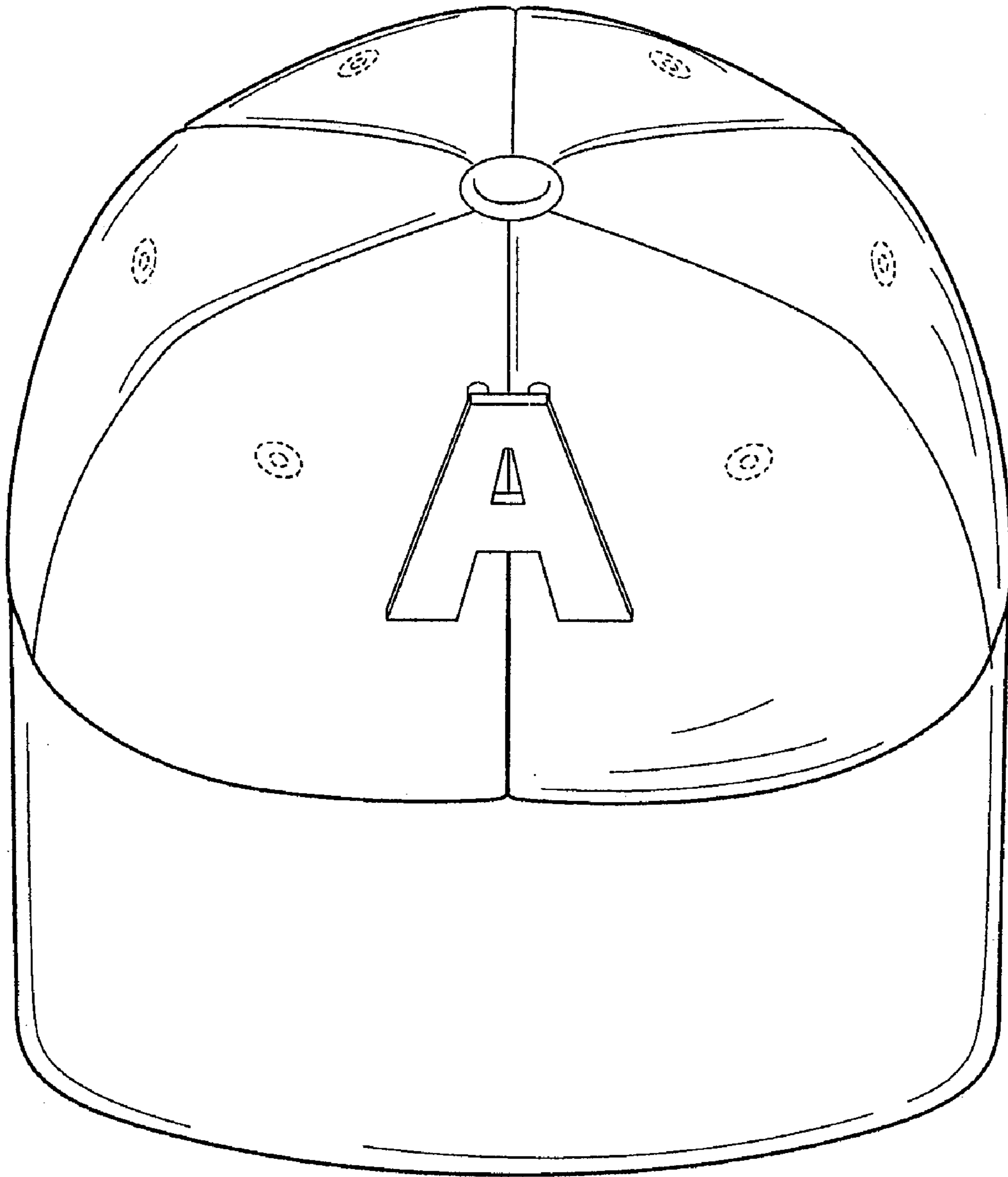


FIG. 2

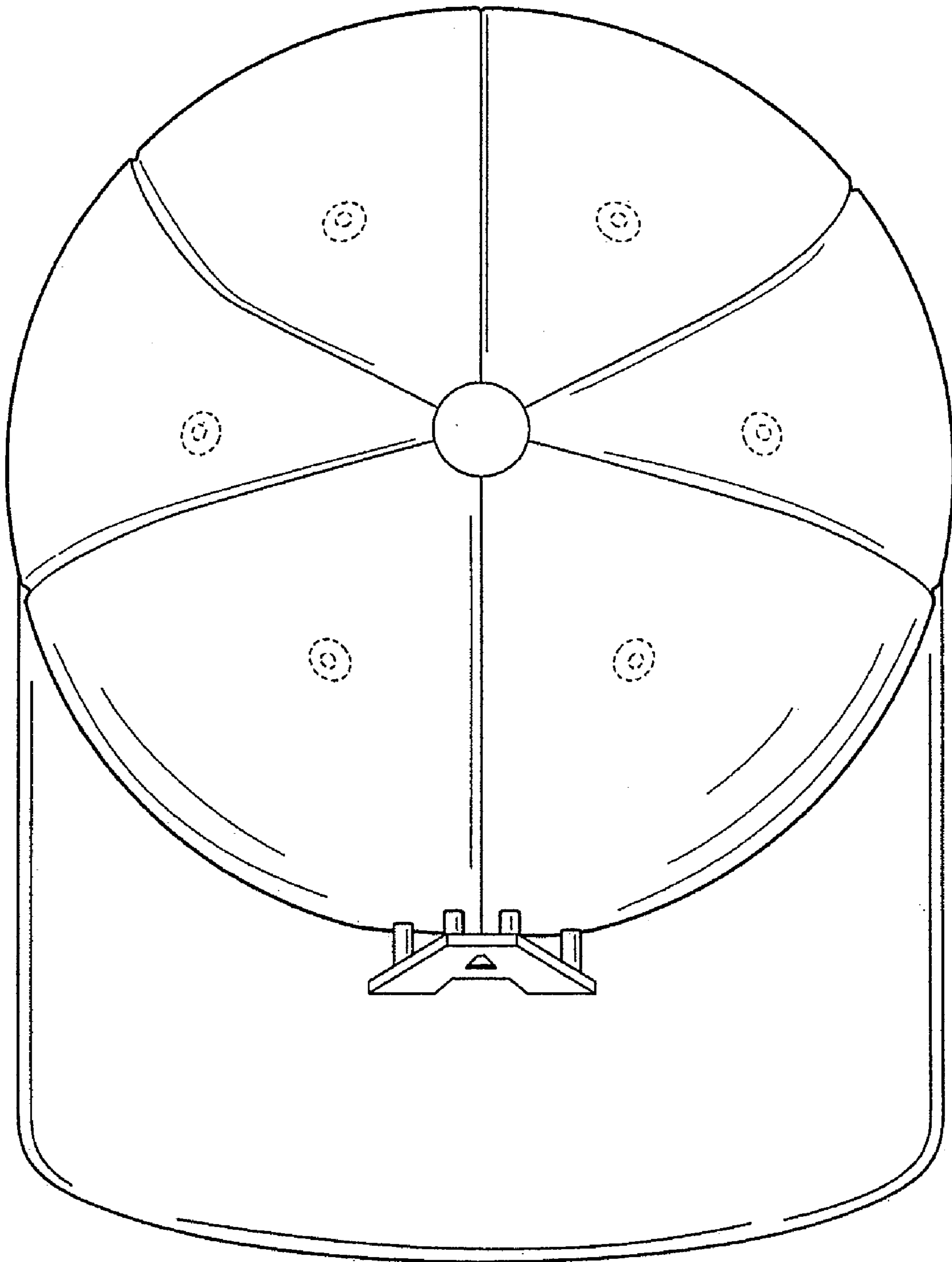


FIG. 3

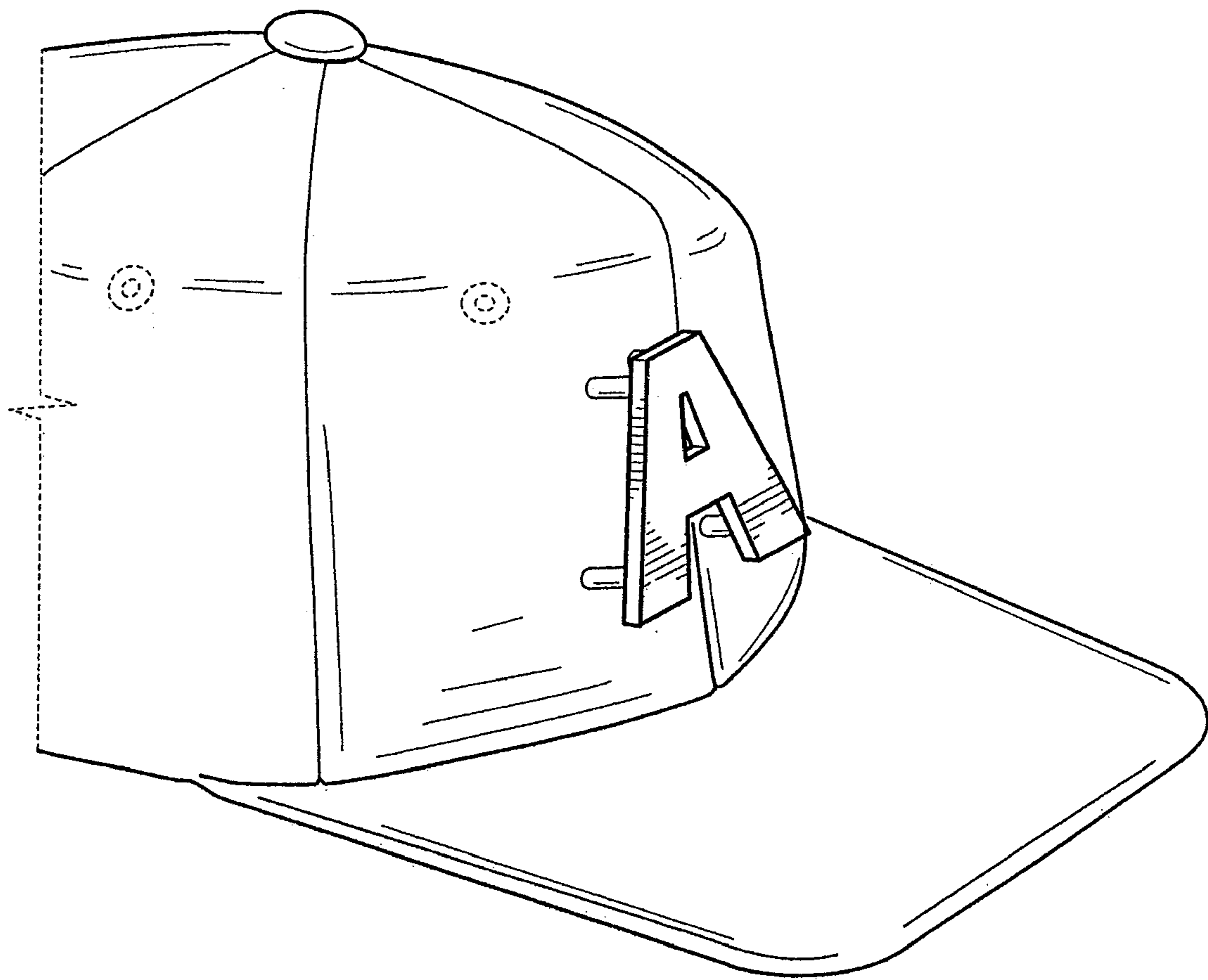


FIG. 4