



US00D558950S

(12) **United States Design Patent**  
**Brans**

(10) **Patent No.:** **US D558,950 S**

(45) **Date of Patent:** **\*\* Jan. 1, 2008**

(54) **DRAUGHTKEG WITH TAP**

(75) **Inventor:** **Albert Brans, Voorschoten (NL)**

(73) **Assignee:** **Heineken Supply Chain B.V. (NL)**

(\*\*) **Term:** **14 Years**

(21) **Appl. No.:** **29/266,520**

(22) **Filed:** **Sep. 22, 2006**

(30) **Foreign Application Priority Data**

Mar. 23, 2006 (EM) ..... 000500830-0003

(51) **LOC (8) Cl.** ..... **09-02**

(52) **U.S. Cl.** ..... **D34/39; D7/313**

(58) **Field of Classification Search** ..... D34/39;  
220/DIG. 1, 672, 601, 669, 661, 675, 367.1,  
220/592.1; D23/202, 205, 217; D7/300,  
D7/312, 313, 608, 301, 397, 398; 215/384,  
215/702, 12.1

See application file for complete search history.

(56) **References Cited**

**U.S. PATENT DOCUMENTS**

2,043,183	A *	6/1936	Mauser	.....	220/592.19
2,250,749	A *	7/1941	Cornelius	.....	220/4.04
D188,822	S *	9/1960	Wareham	.....	D34/39
3,095,111	A *	6/1963	Mulder	.....	220/605
3,129,730	A *	4/1964	Simon	.....	141/286
3,170,586	A *	2/1965	Bulgrin	.....	220/4.04

D205,825	S *	9/1966	Cornelius	.....	D7/300
D276,499	S *	11/1984	Kamada et al.	.....	D9/633
D335,744	S *	5/1993	Small et al.	.....	D34/39
D335,745	S *	5/1993	Schilthuizen	.....	D34/39
D344,204	S *	2/1994	Dixon	.....	D7/301
D359,830	S *	6/1995	Mikula et al.	.....	D34/39
D374,959	S *	10/1996	Mull	.....	D34/39
5,579,912	A *	12/1996	Yamamoto	.....	206/509
D454,467	S *	3/2002	Magermans et al.	.....	D7/313
D523,170	S *	6/2006	Xu	.....	D27/148
D526,110	S *	8/2006	Wentzel	.....	D34/39
D529,749	S *	10/2006	Allen et al.	.....	D7/306

\* cited by examiner

*Primary Examiner*—Cynthia E. Ramirez

(74) *Attorney, Agent, or Firm*—Altera Law Group, LLC

(57) **CLAIM**

The ornamental design for draughtkeg with tap, as shown and described.

**DESCRIPTION**

FIG. 1 is a perspective view of the draughtkeg with tap.

FIG. 2 is a front side view thereof.

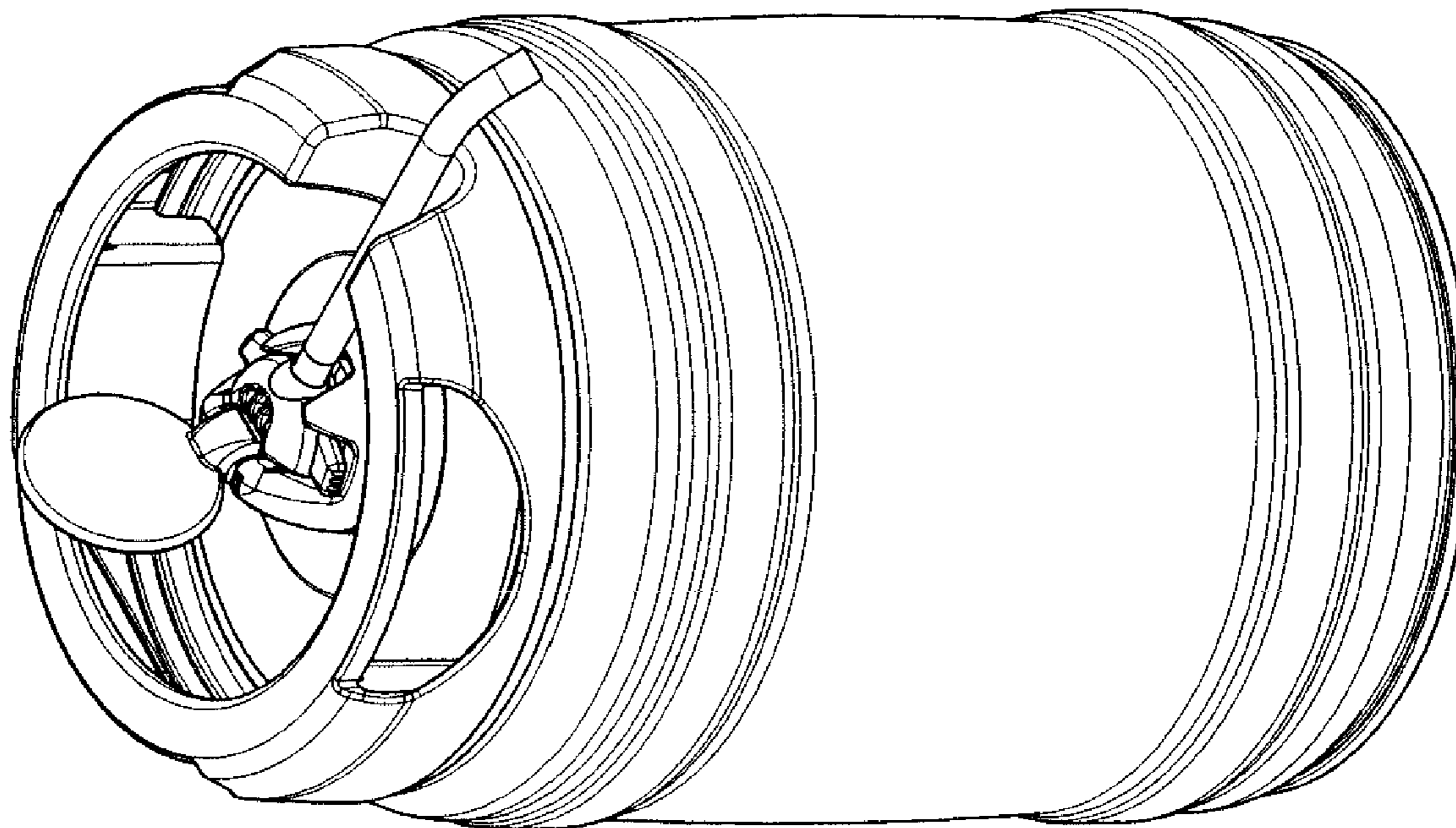
FIG. 3 is a right side view thereof.

FIG. 4 is a top view thereof.

FIG. 5 is a bottom view thereof; and,

FIG. 6 is a rear side view thereof.

**1 Claim, 1 Drawing Sheet**



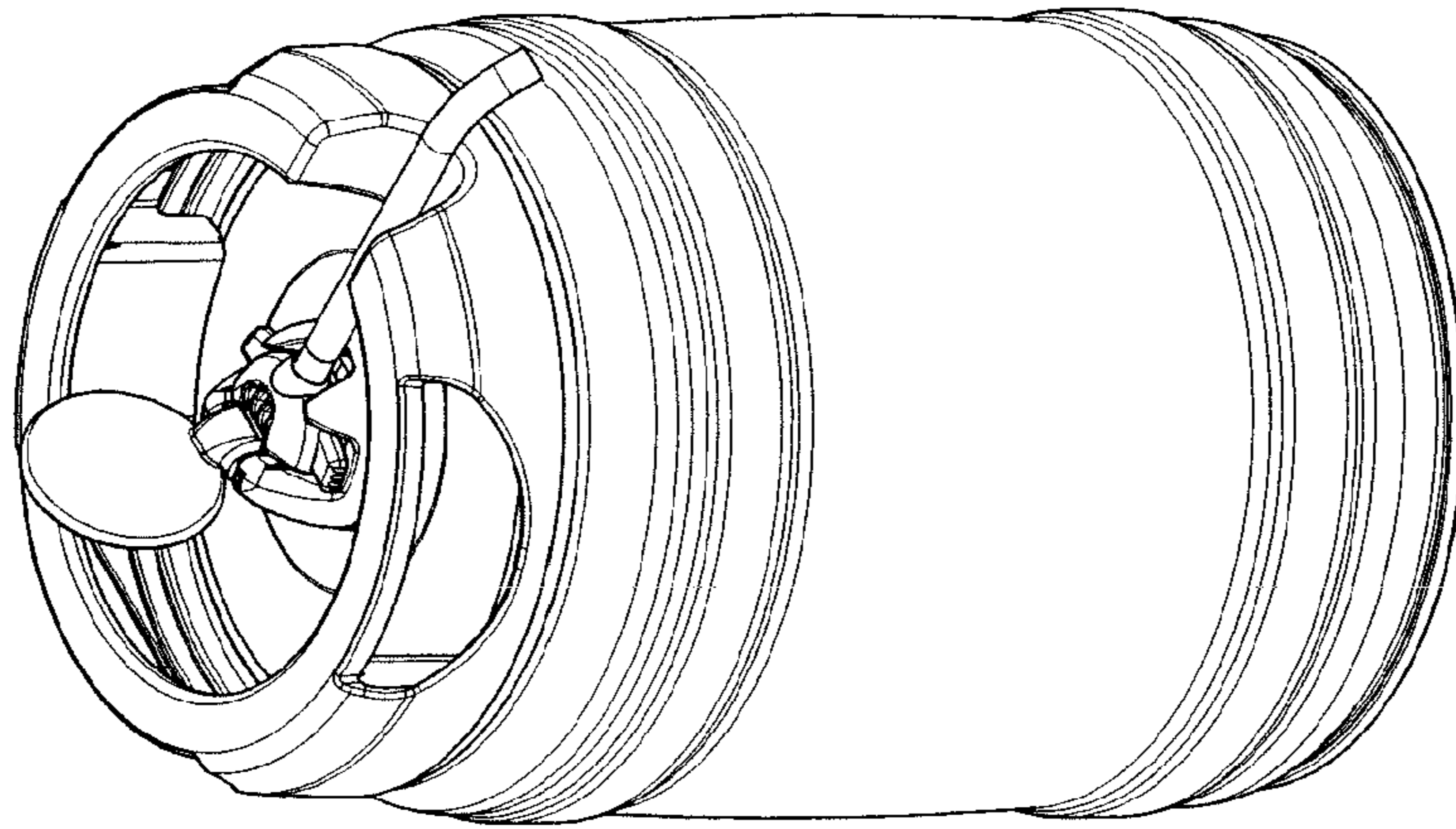


FIG. 1

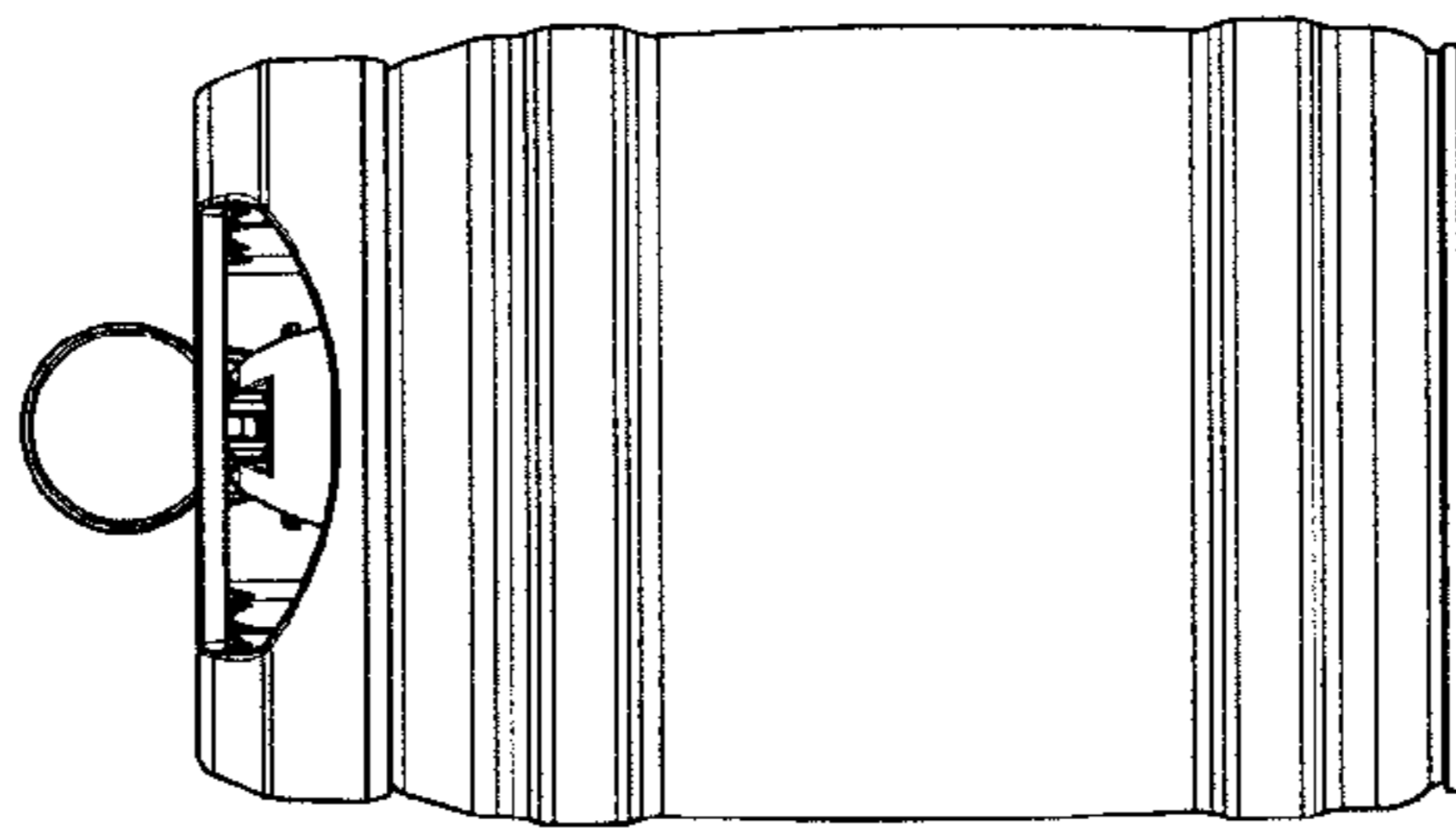


FIG. 6

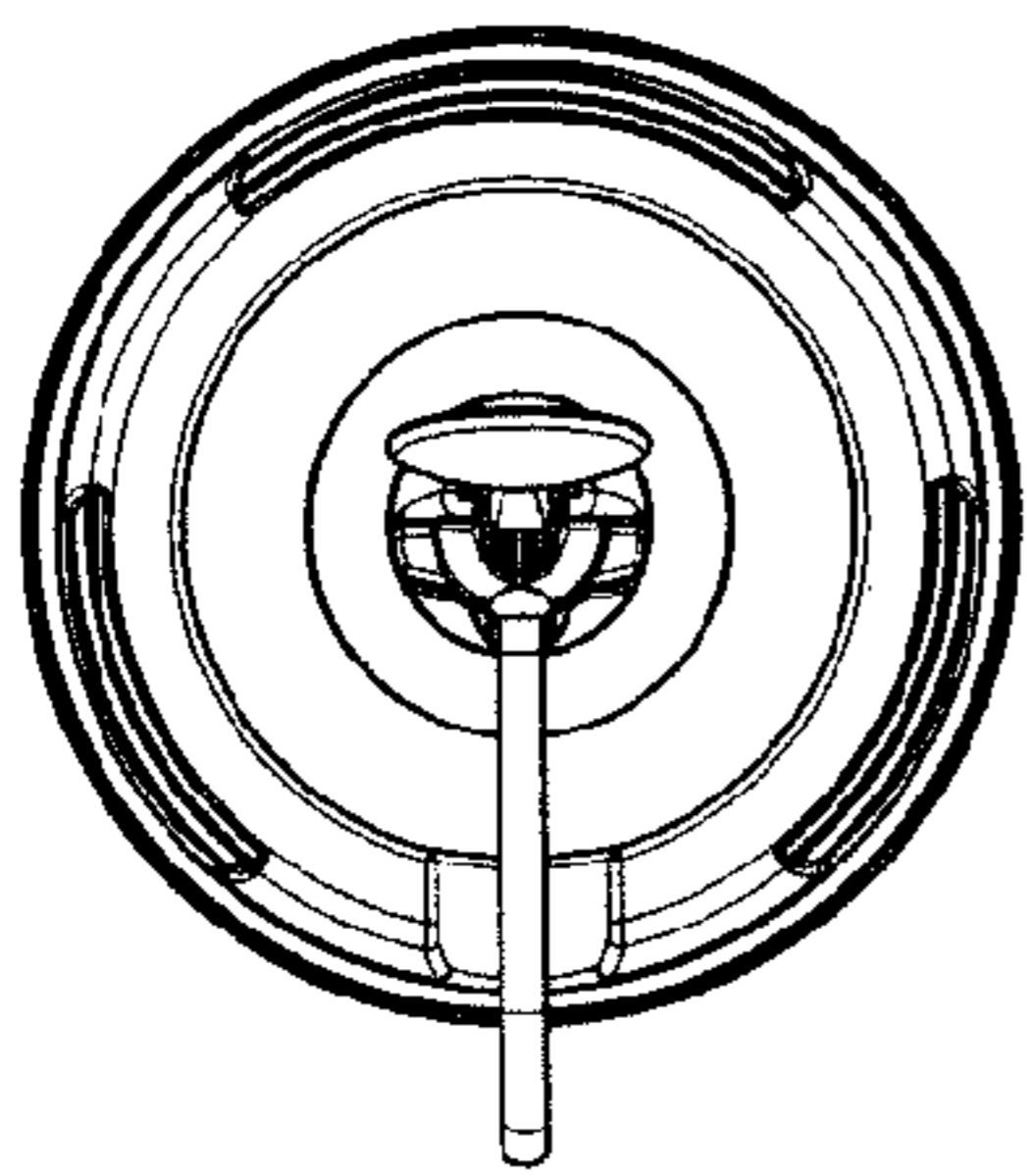


FIG. 4

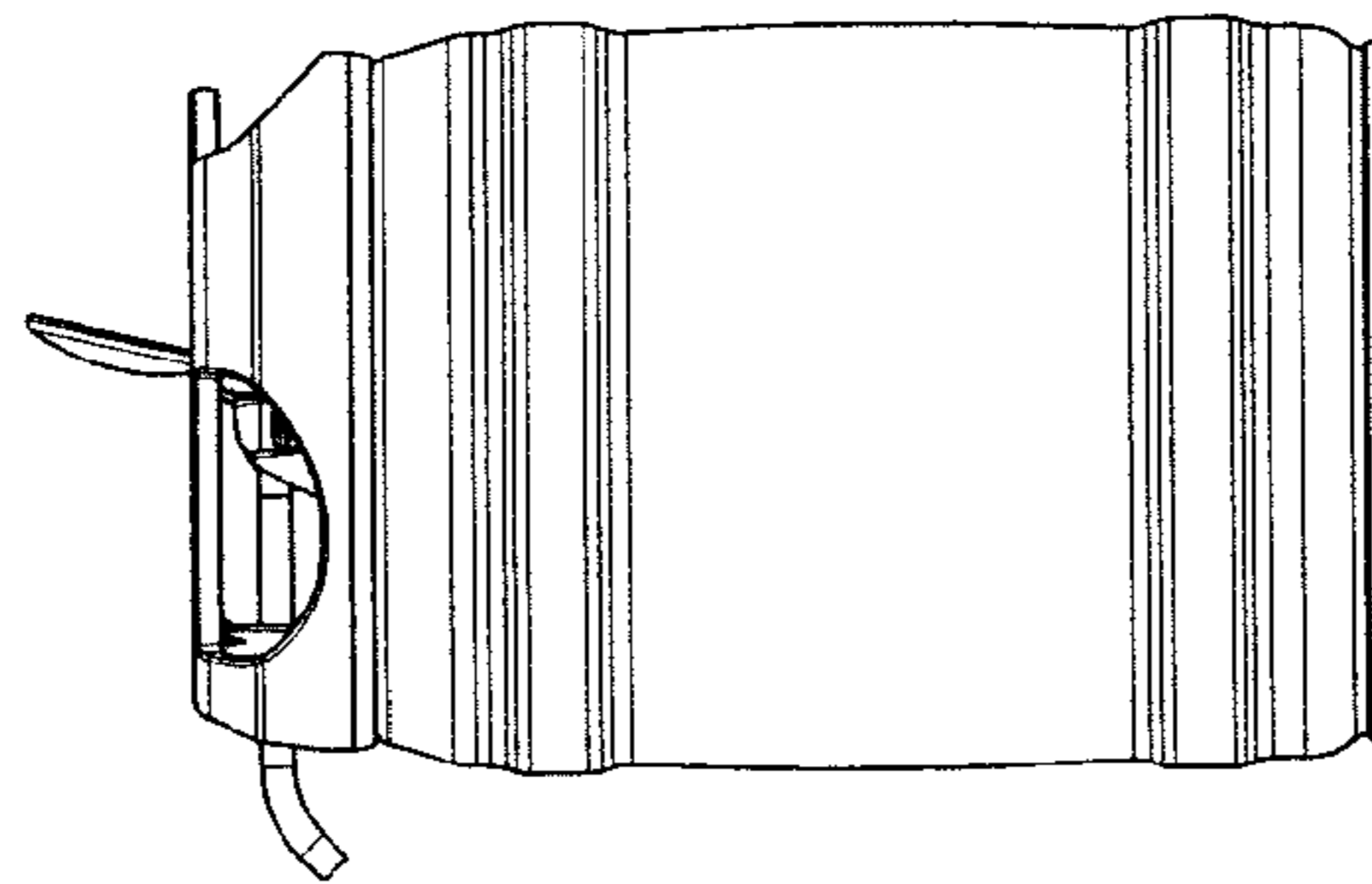


FIG. 3

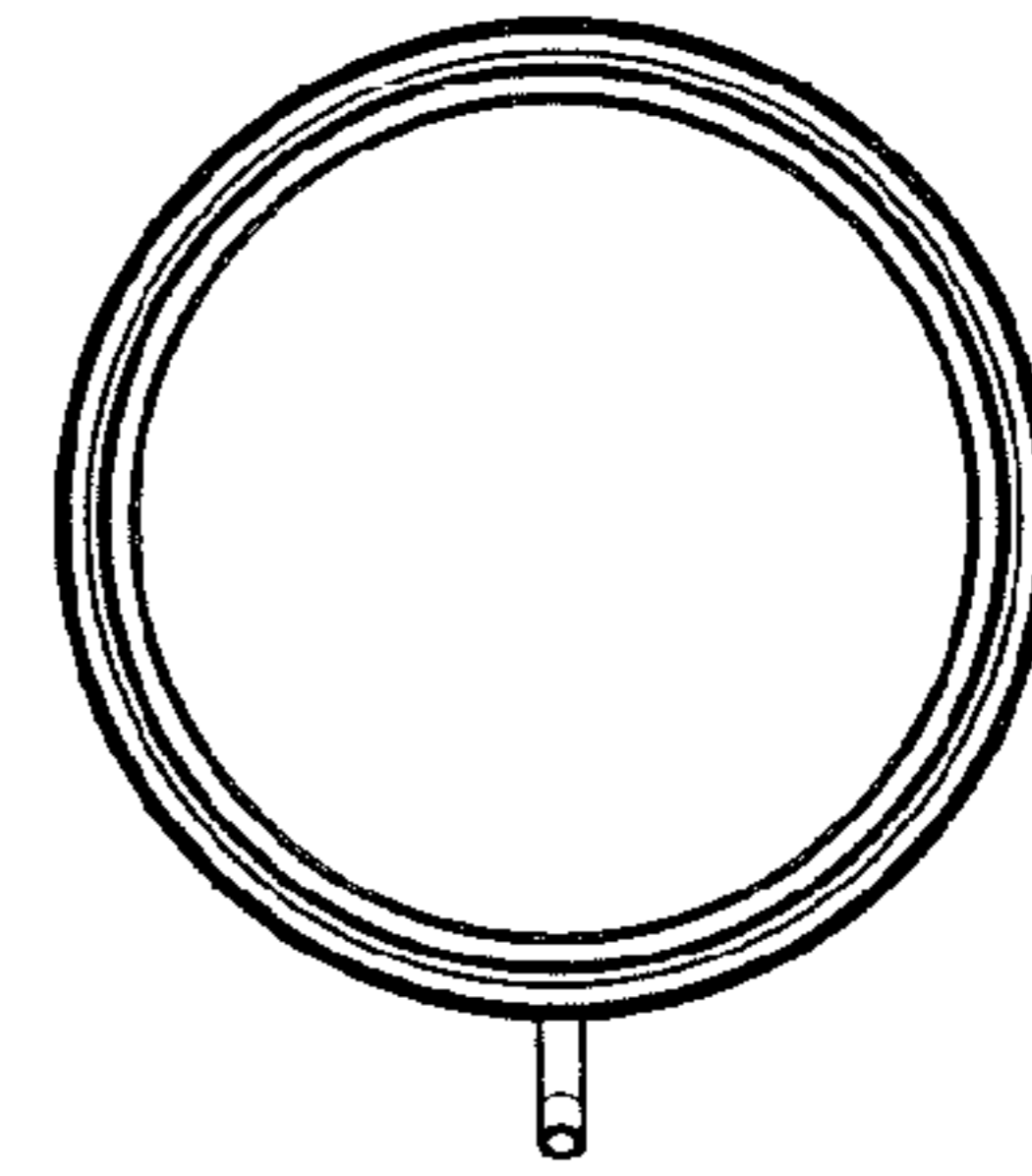


FIG. 5

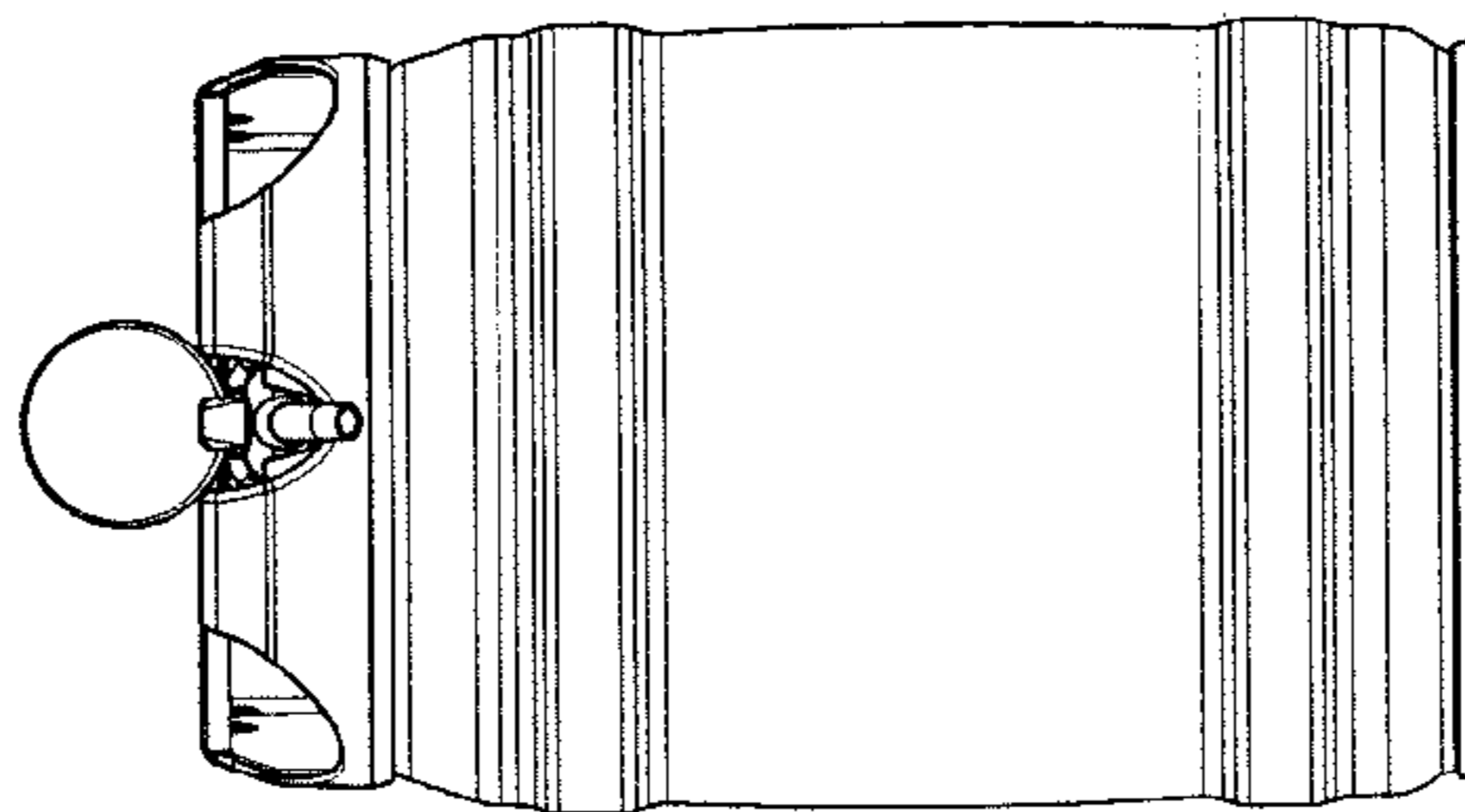


FIG. 2