



US00D558949S

(12) **United States Design Patent**
Zorzo

(10) **Patent No.:** **US D558,949 S**

(45) **Date of Patent:** **** Jan. 1, 2008**

(54) **PART OF CLEANING TROLLEY**

7,070,189 B2 * 7/2006 Grauss 280/32.6
D529,678 S * 10/2006 Hall D34/27

(75) Inventor: **Bruno Zorzo**, Villa del Conte (IT)

* cited by examiner

(73) Assignee: **Filmop s.r.l.**, Villa del Conte (PD) (IT)

Primary Examiner—Cynthia E Ramirez

(**) Term: **14 Years**

(74) *Attorney, Agent, or Firm*—Thomas S. Baker, Jr.

(21) Appl. No.: **29/268,436**

(57) **CLAIM**

(22) Filed: **Nov. 7, 2006**

The ornamental design for a part of cleaning trolley, as shown and described.

(30) **Foreign Application Priority Data**

May 10, 2006 (EM) 000526884-0011

DESCRIPTION

(51) **LOC (8) Cl.** **12-02**

FIG. 1 is a left side perspective view for a part of cleaning trolley of the instant invention;

(52) **U.S. Cl.** **D34/27**

FIG. 2 is a left side perspective view thereof taken from another angle;

(58) **Field of Classification Search** D34/12-27;
280/79.11, 79.2, 79.3, 47.35, 47.34, 47.19

FIG. 3 is a right side perspective view thereof;

See application file for complete search history.

FIG. 4 is a right side perspective view thereof taken from another angle;

(56) **References Cited**

FIG. 5 is a top view thereof;

U.S. PATENT DOCUMENTS

FIG. 6 is a right side view thereof; and,

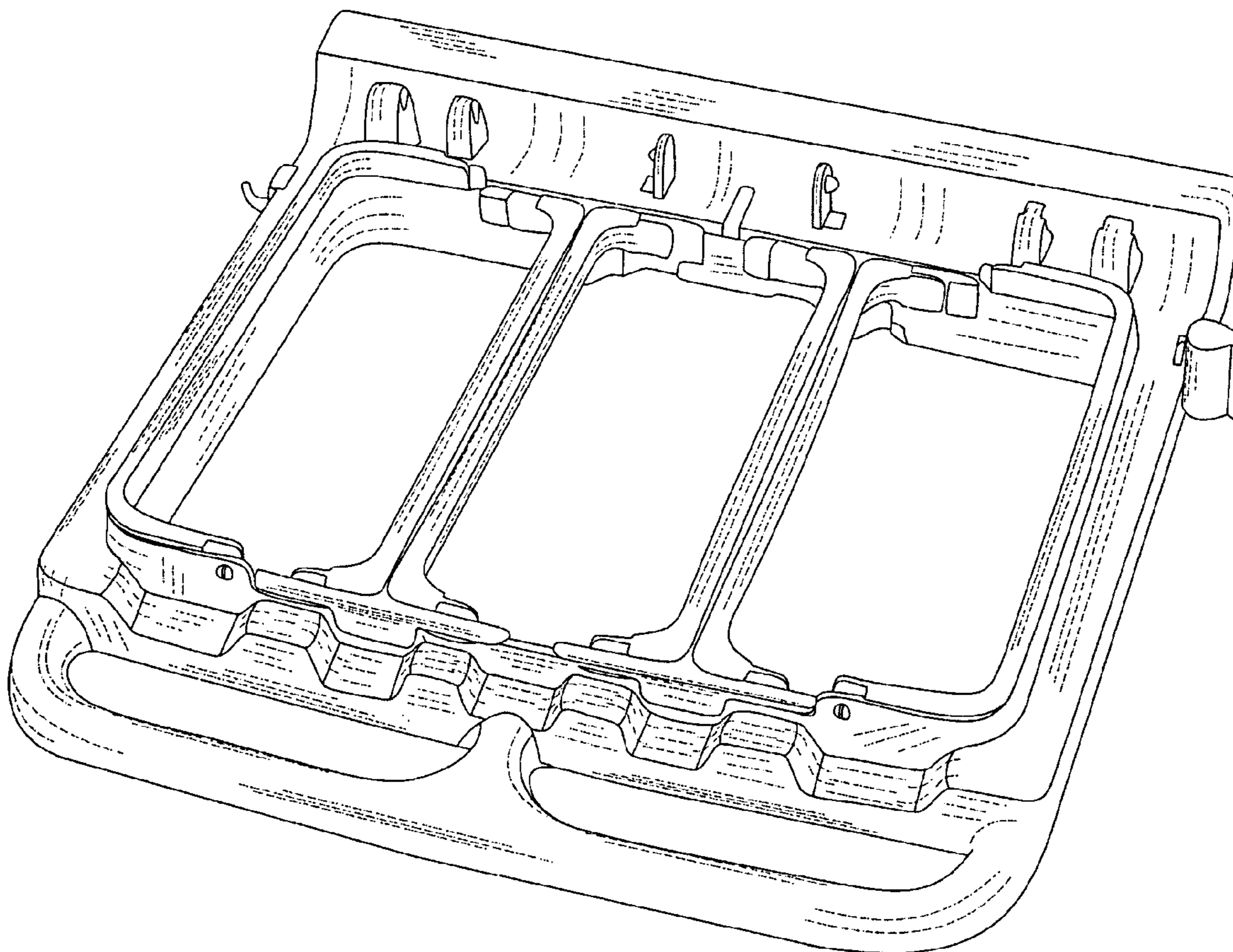
4,869,518 A * 9/1989 Breveglierij et al. 280/47.35

FIG. 7 is a front side view thereof.

4,923,202 A * 5/1990 Breveglieri et al. 280/47.35

6,827,357 B2 * 12/2004 Calmeise et al. 280/47.34

1 Claim, 7 Drawing Sheets



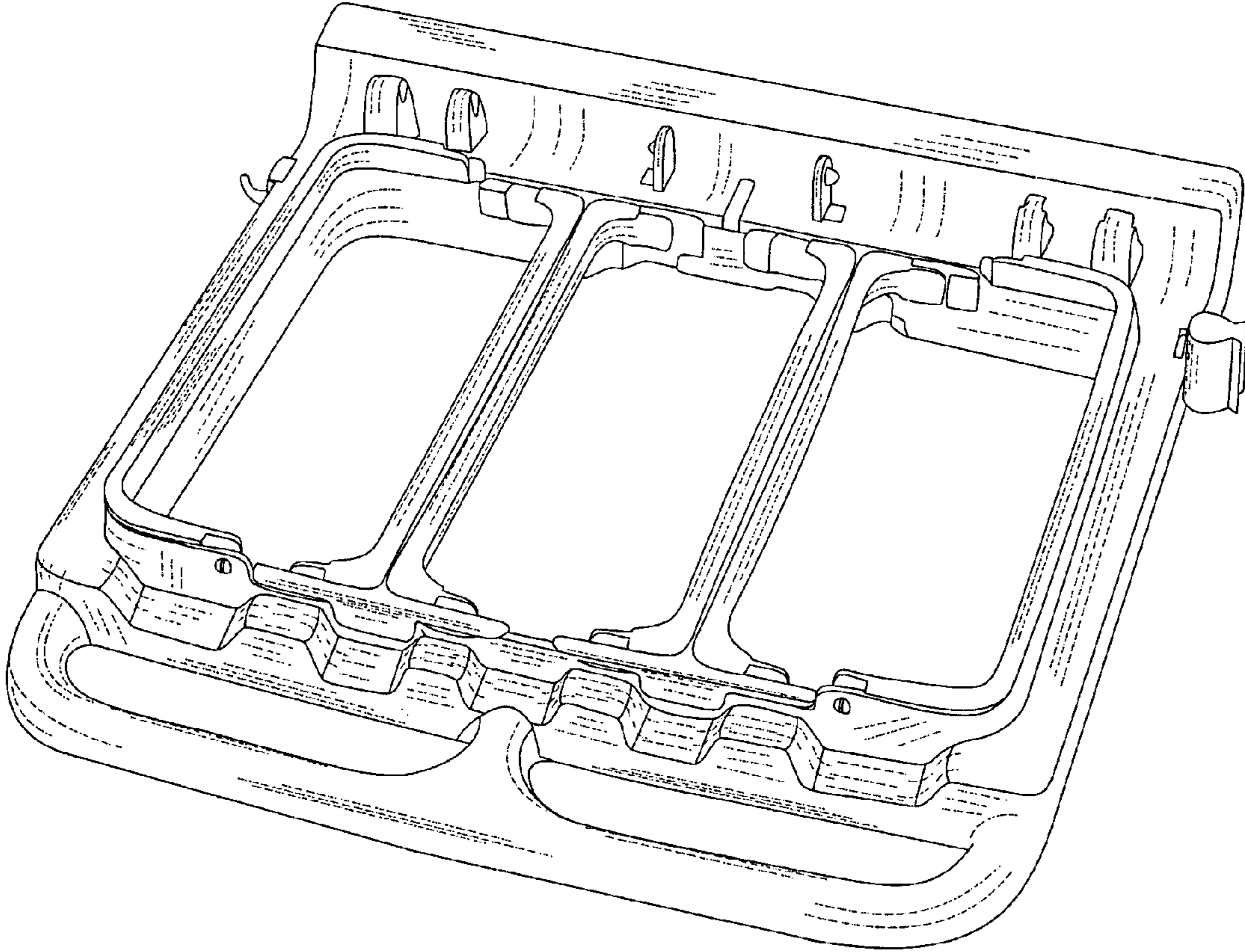


Fig. 1

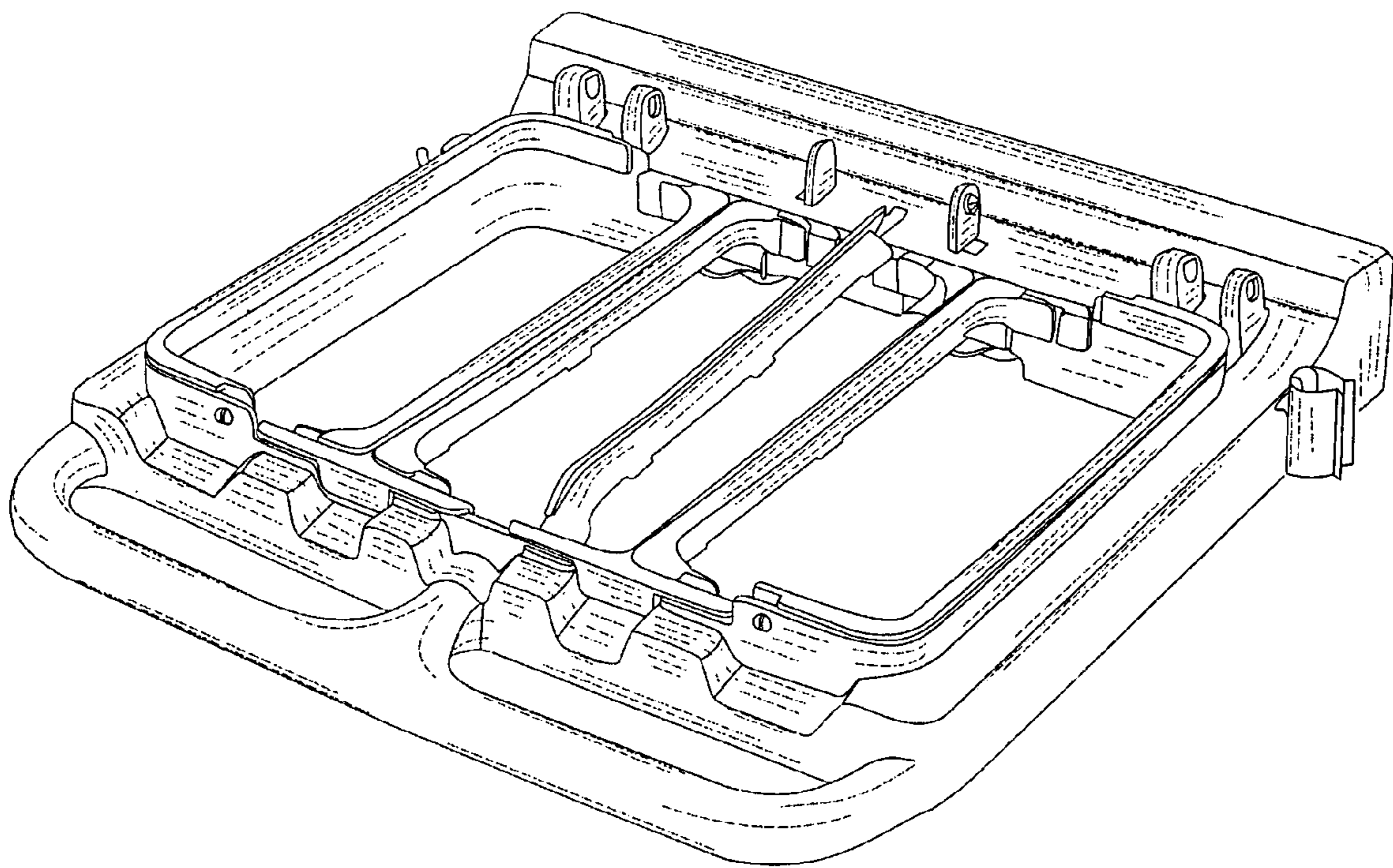


Fig. 2

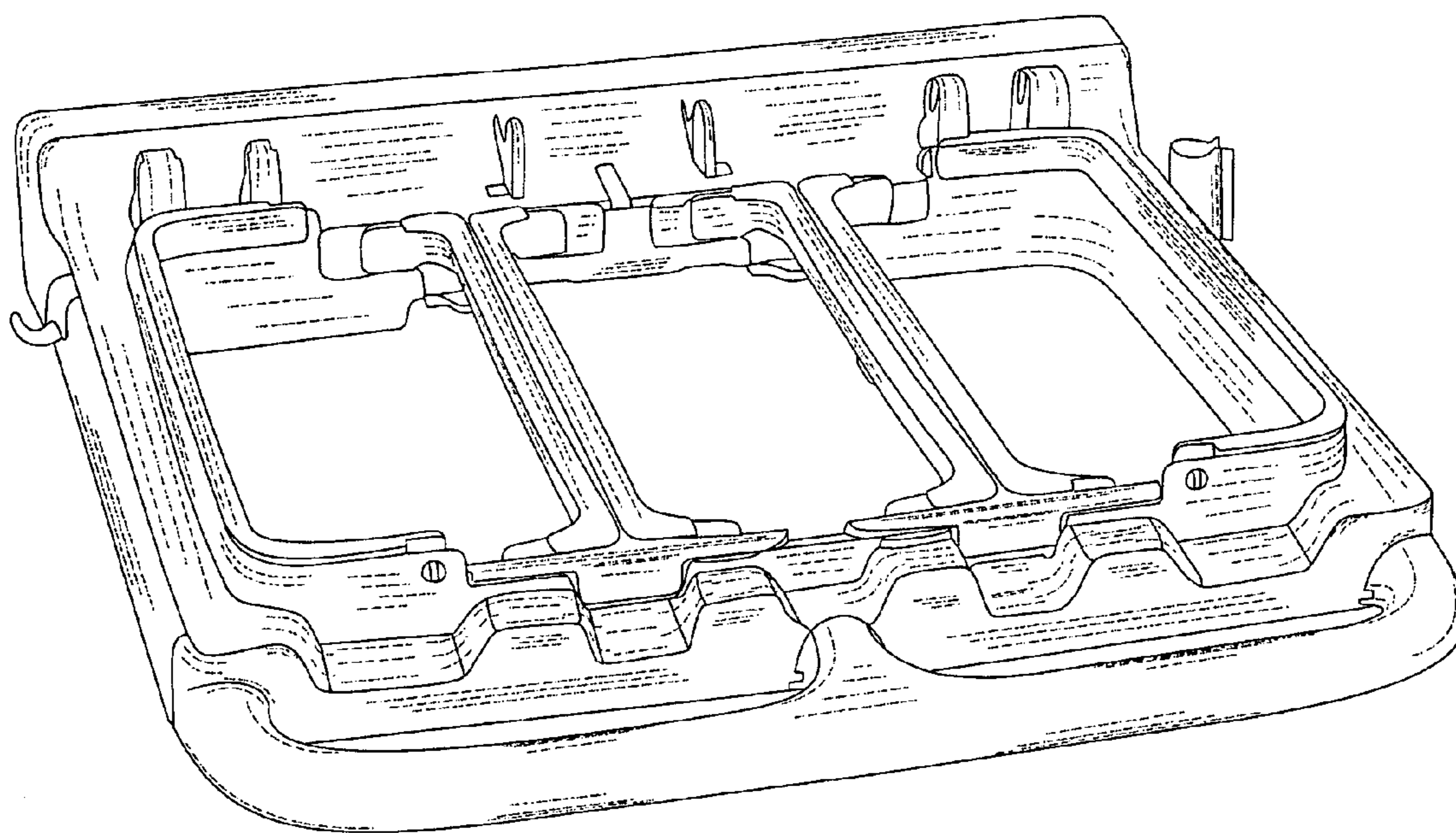


Fig. 3

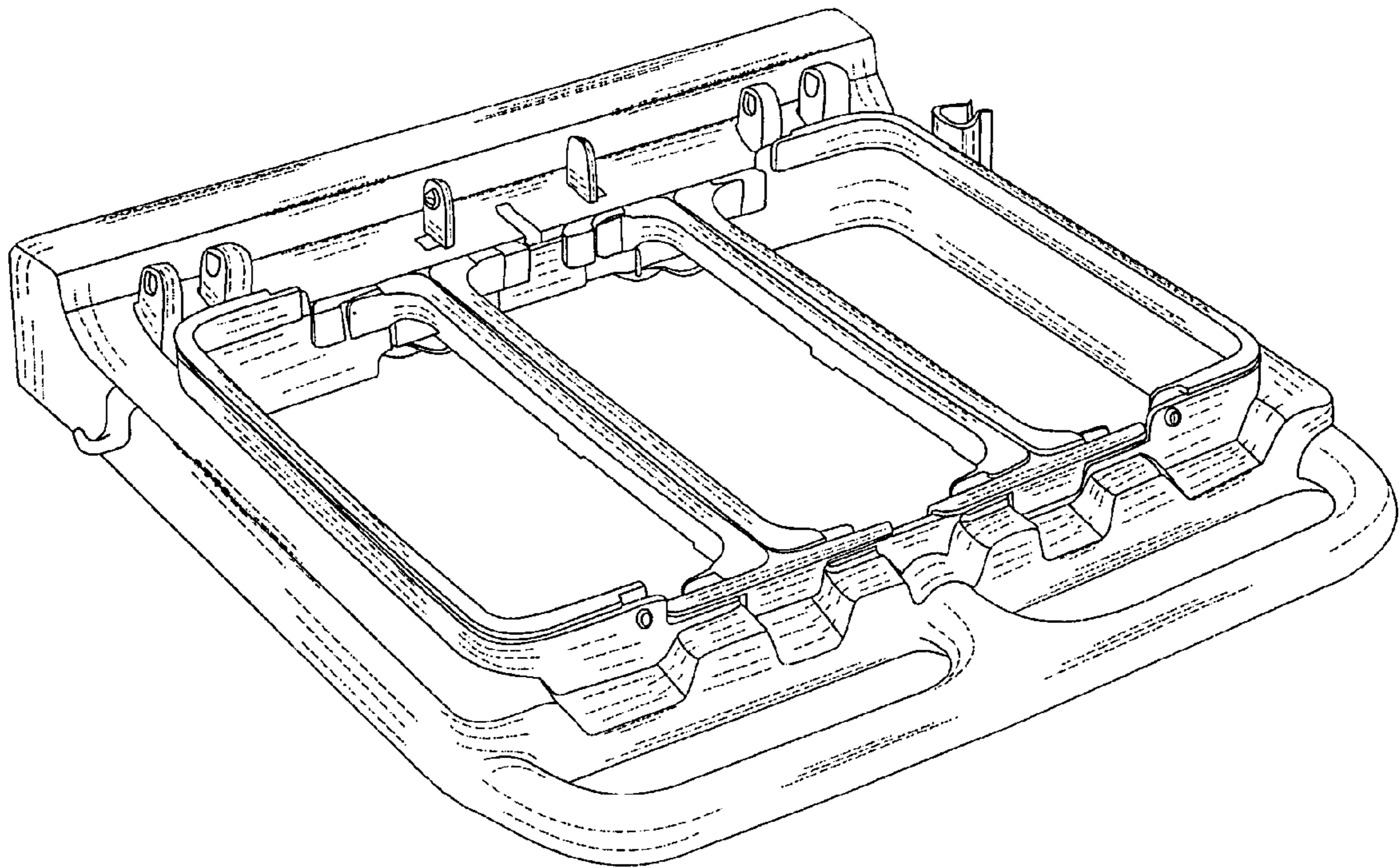


Fig. 4

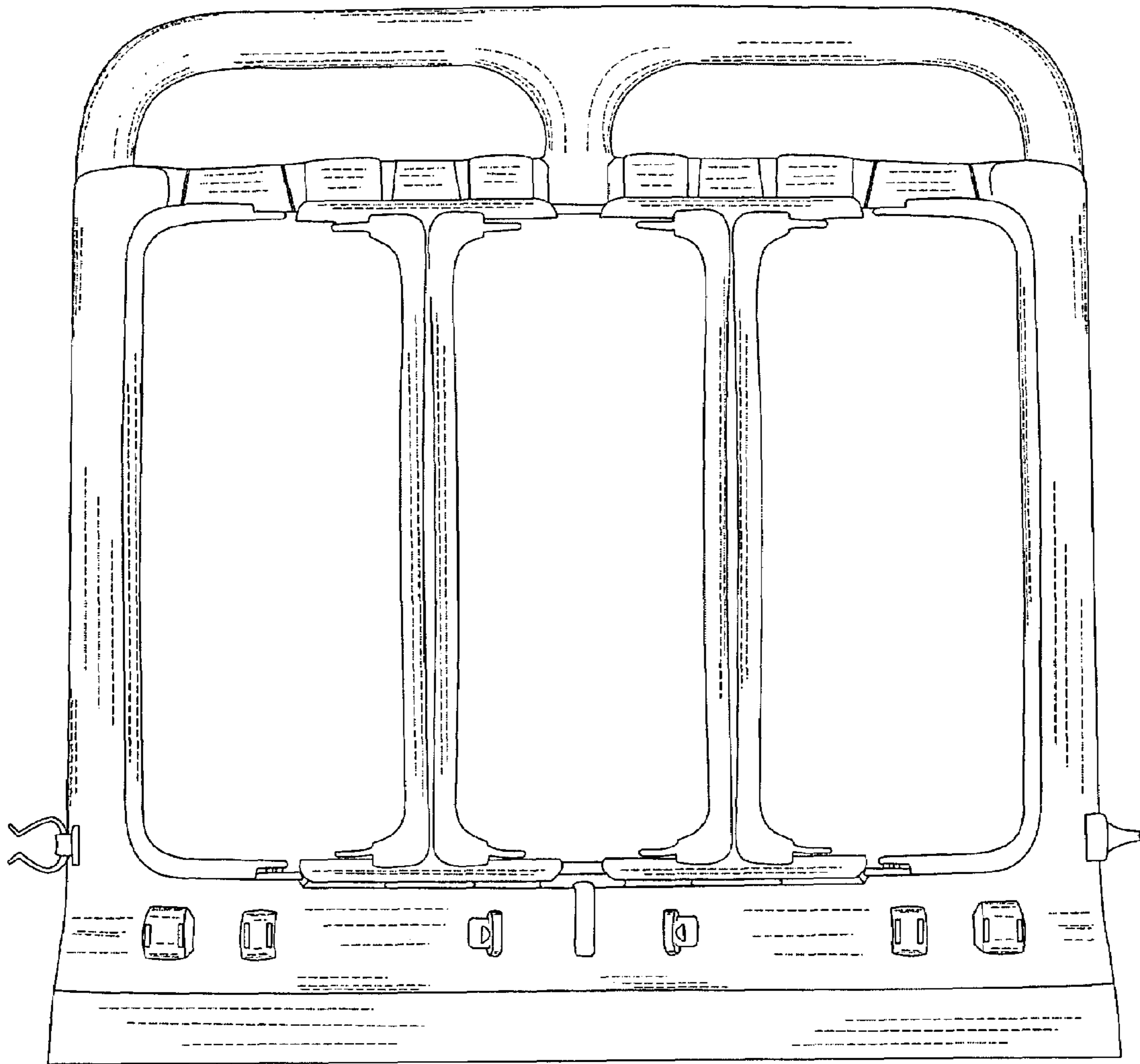


Fig. 5

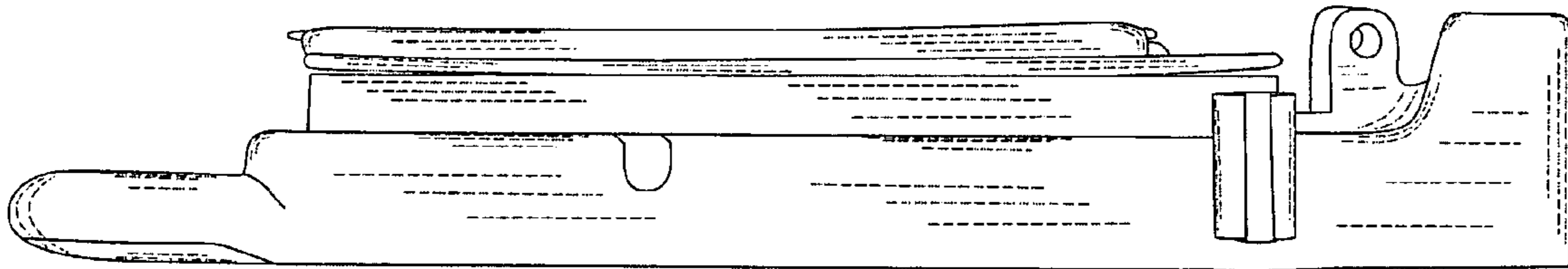


Fig. 6

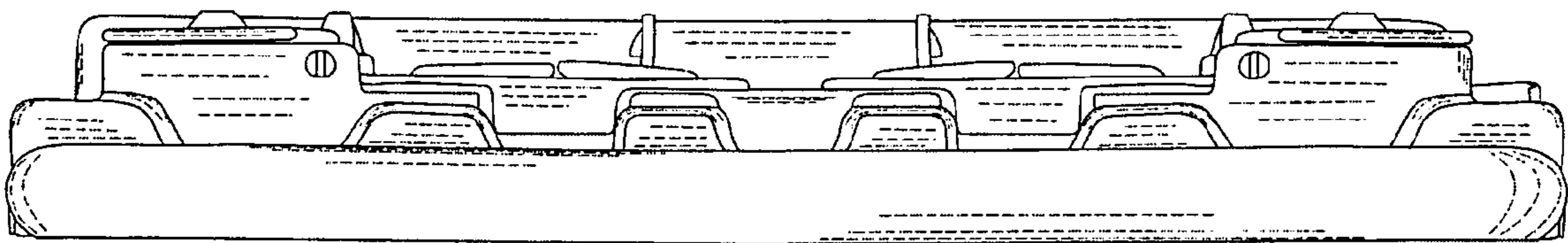


Fig. 7