



US00D558948S

(12) **United States Design Patent**
Miller et al.

(10) **Patent No.:** **US D558,948 S**
(45) **Date of Patent:** **** Jan. 1, 2008**

(54) **COLLAPSIBLE CART FOR A PAINT SPRAY PUMP**

(75) Inventors: **Robert Ernest Miller**, Savage, MN (US); **Wayne Robens**, Lakeville, MN (US)

(73) Assignee: **Wagner Spray Tech Corporation**, Plymouth, MN (US)

(**) Term: **14 Years**

(21) Appl. No.: **29/280,209**

(22) Filed: **May 21, 2007**

Related U.S. Application Data

(62) Division of application No. 29/246,330, filed on Mar. 31, 2006.

(51) **LOC (8) Cl.** **12-02**

(52) **U.S. Cl.** **D34/24**

(58) **Field of Classification Search** D34/12-27; 280/47.35, 47.19, 33.993, 33.991, 33.996, 280/47.18, 47.28, 47.27, 47.29, 47.34, 654, 280/655, 79.3

See application file for complete search history.

(56) **References Cited**

U.S. PATENT DOCUMENTS

D303,883 S * 10/1989 Higson et al. D6/429

D345,842 S * 4/1994 Sloan et al. D34/26
5,326,116 A * 7/1994 Flax 280/47.371
5,356,160 A * 10/1994 Urlwin 280/30
5,464,244 A * 11/1995 Tsai 280/655
5,468,005 A * 11/1995 Yang 280/40
6,193,319 B1 * 2/2001 Kielinski 298/2
D441,935 S * 5/2001 Cook D34/24
6,364,331 B1 * 4/2002 Yap 280/47.371
6,866,290 B2 * 3/2005 Tsai 280/655

* cited by examiner

Primary Examiner—Cynthia E. Ramirez

(74) *Attorney, Agent, or Firm*—Faegre & Benson LLP

(57) **CLAIM**

The ornamental design for a collapsible cart for a paint spray pump, as shown.

DESCRIPTION

FIG. 1 is a perspective view of a collapsible cart for a paint spray pump of the present invention.

FIG. 2 is a front elevation view of the present invention.

FIG. 3 is a rear elevation view.

FIG. 4 is a left side elevation view.

FIG. 5 is a right side elevation view.

FIG. 6 is a bottom plan view; and,

FIG. 7 is a top plan view.

1 Claim, 7 Drawing Sheets

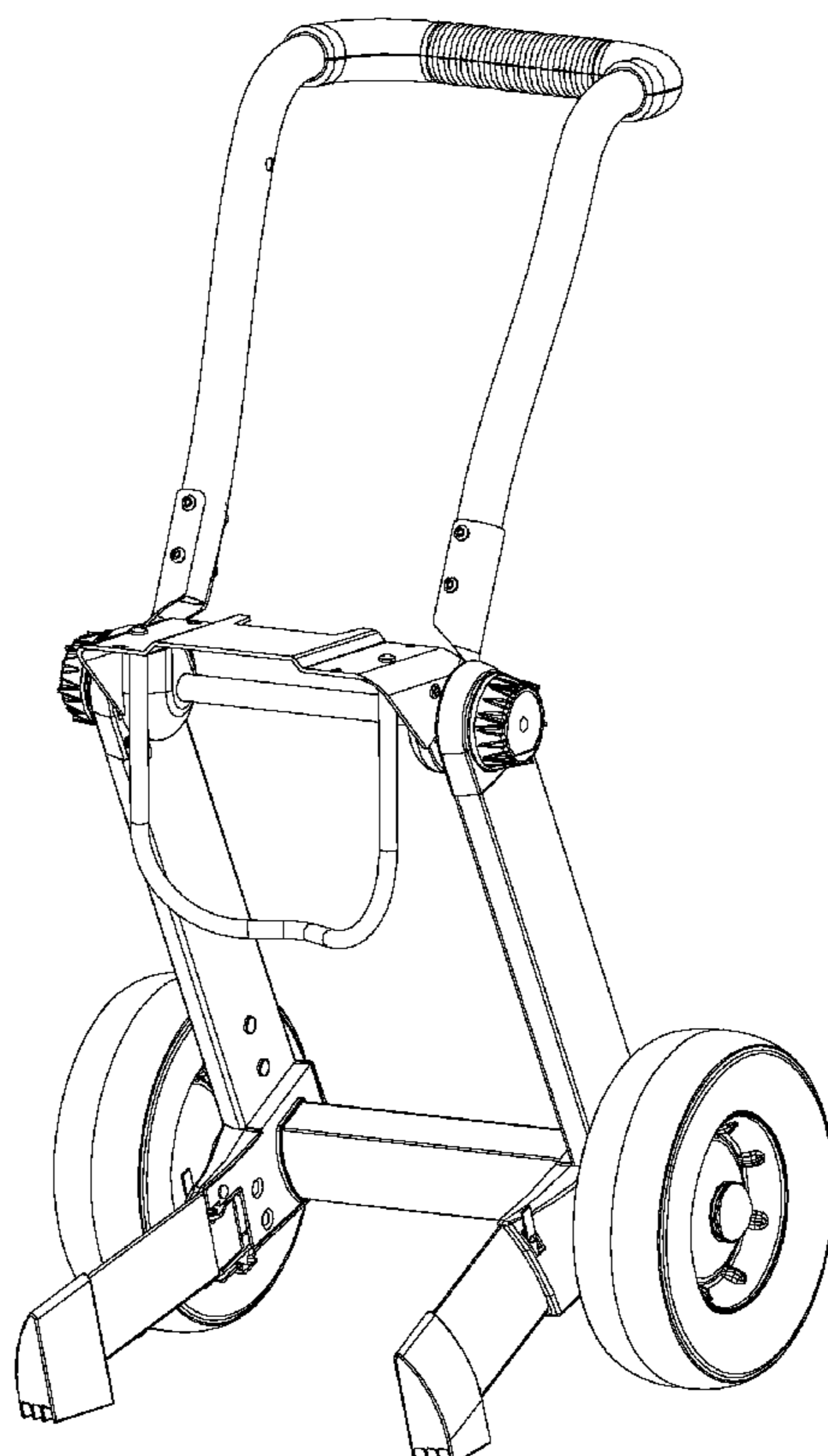


Fig. 1

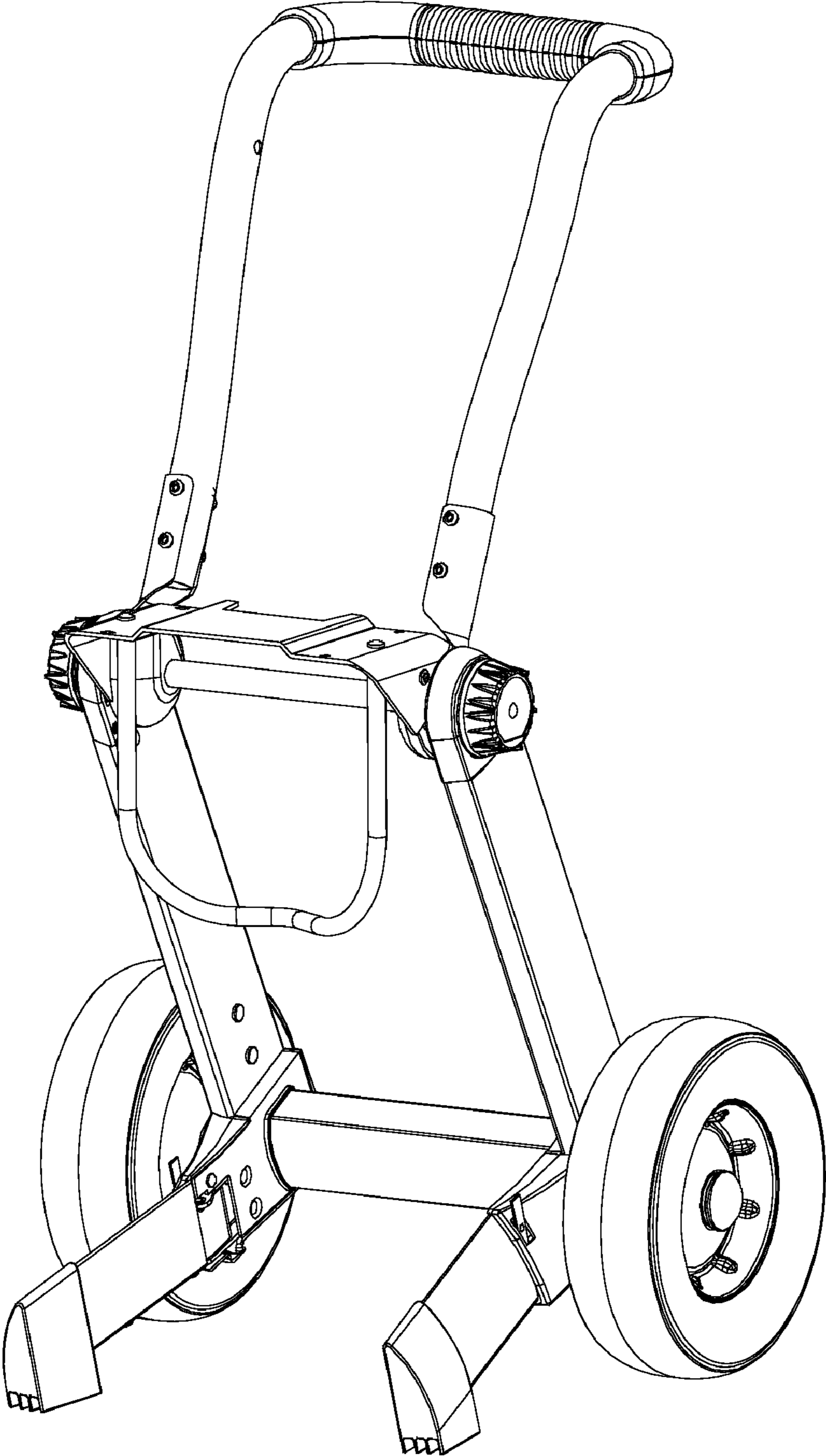


Fig. 2

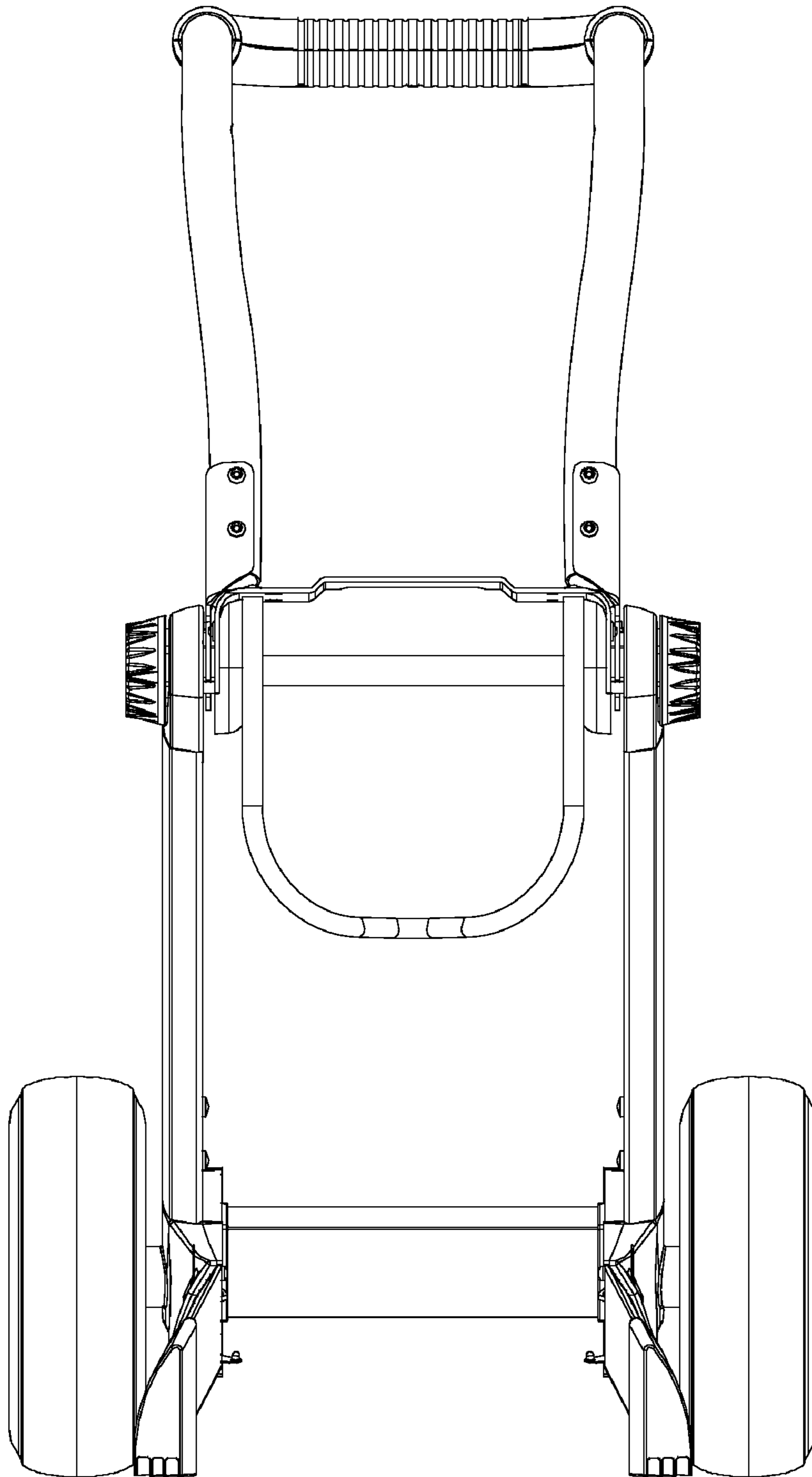


Fig. 3

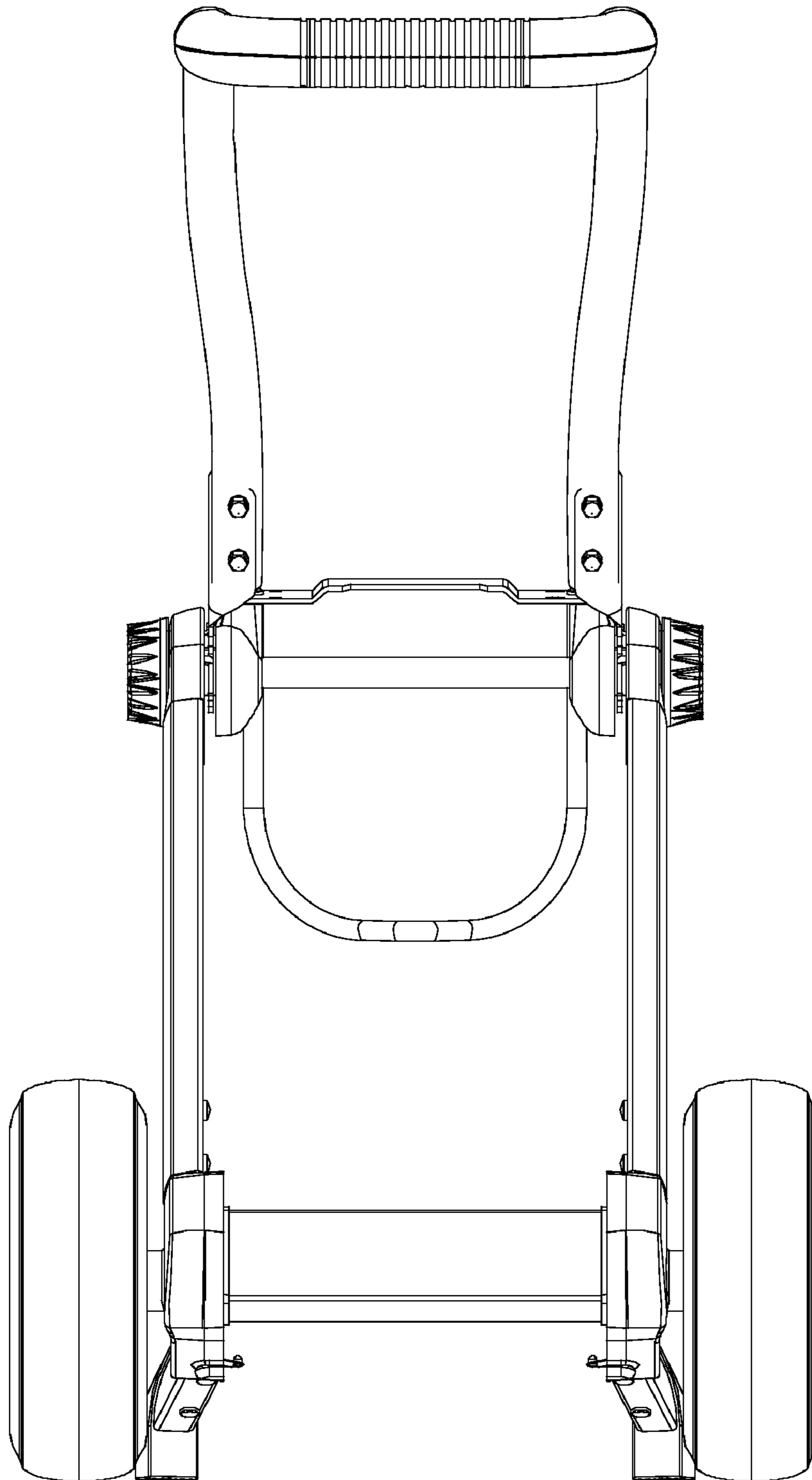


Fig. 4

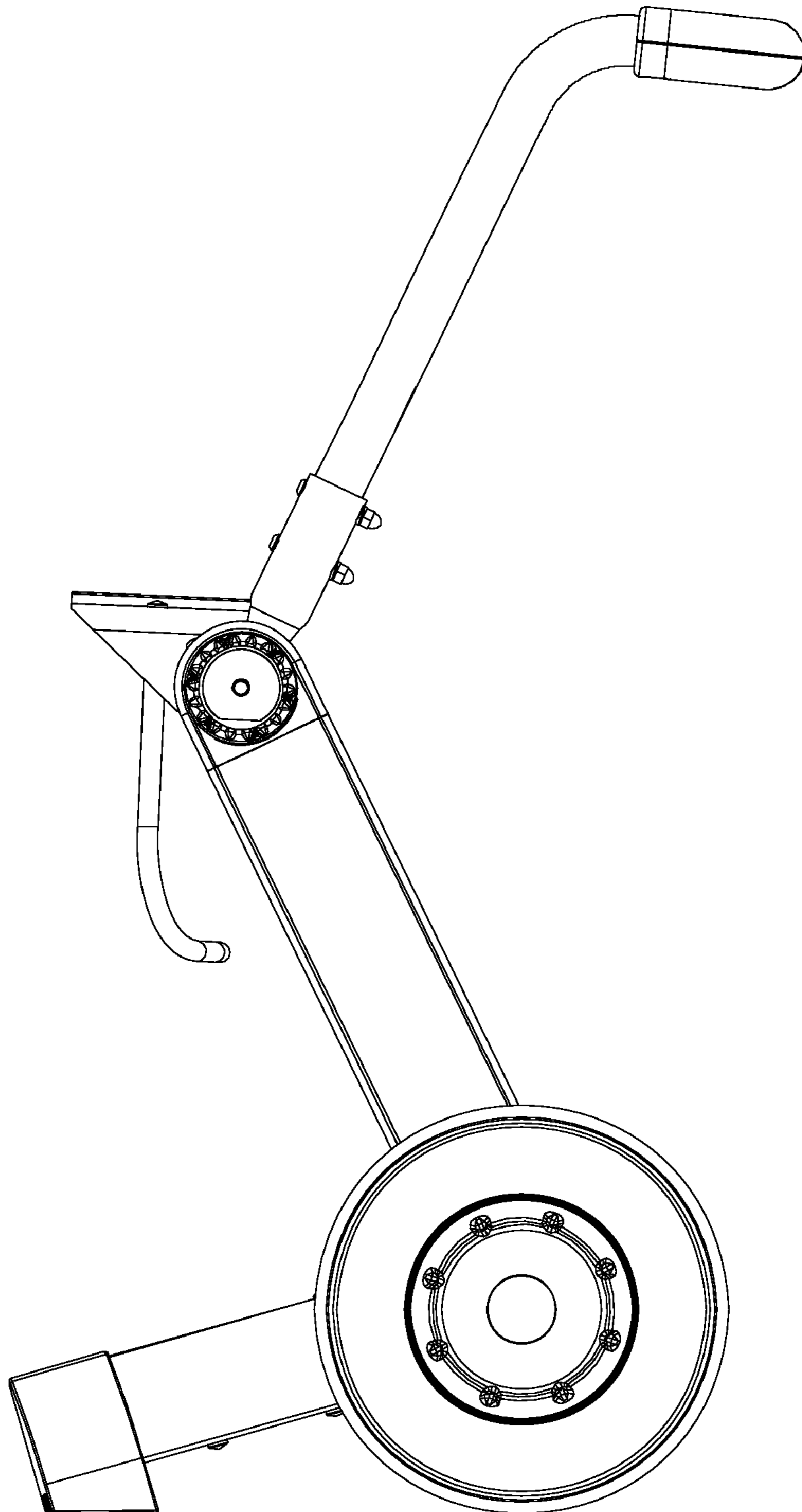


Fig. 5

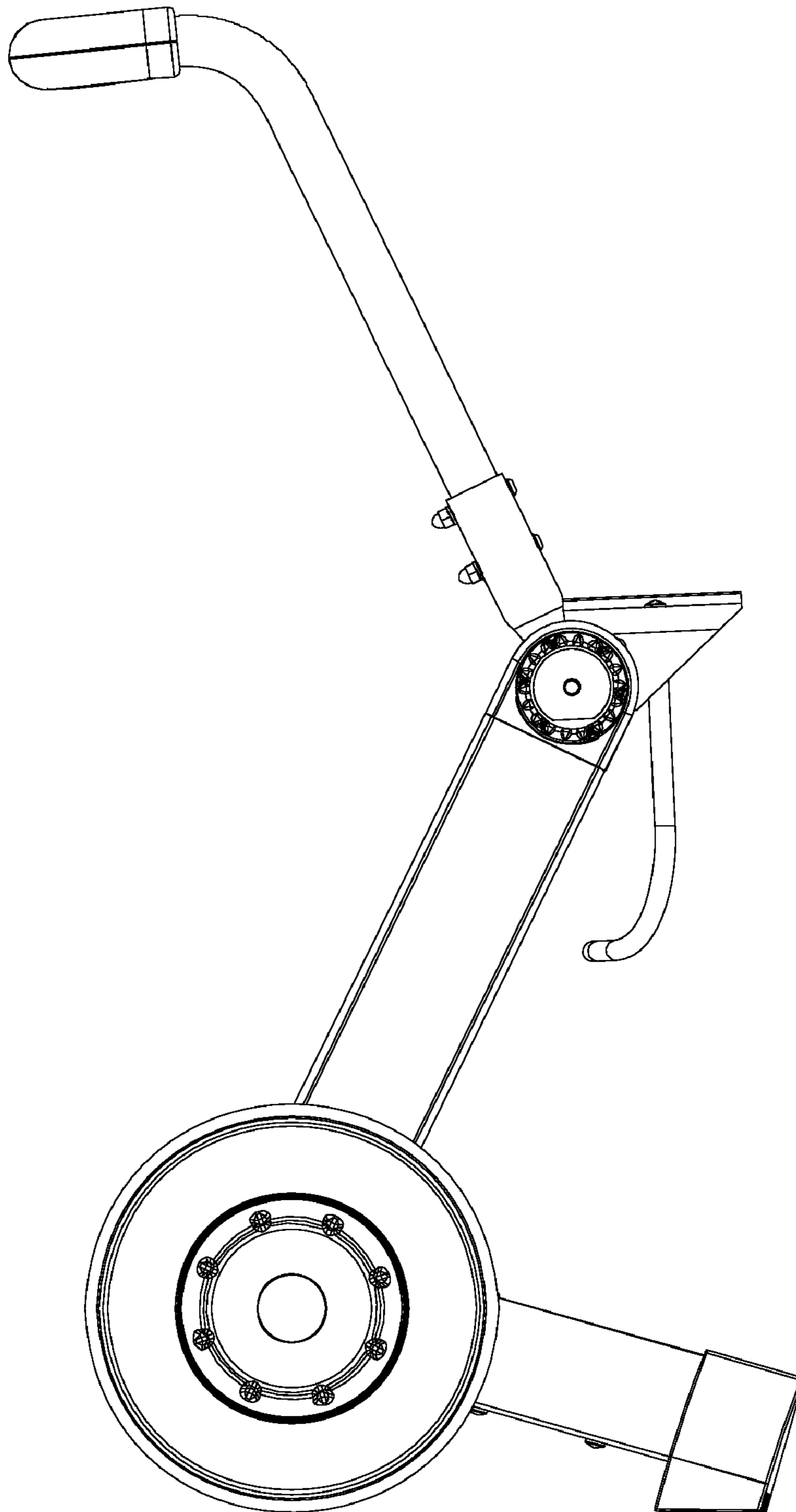


Fig. 6

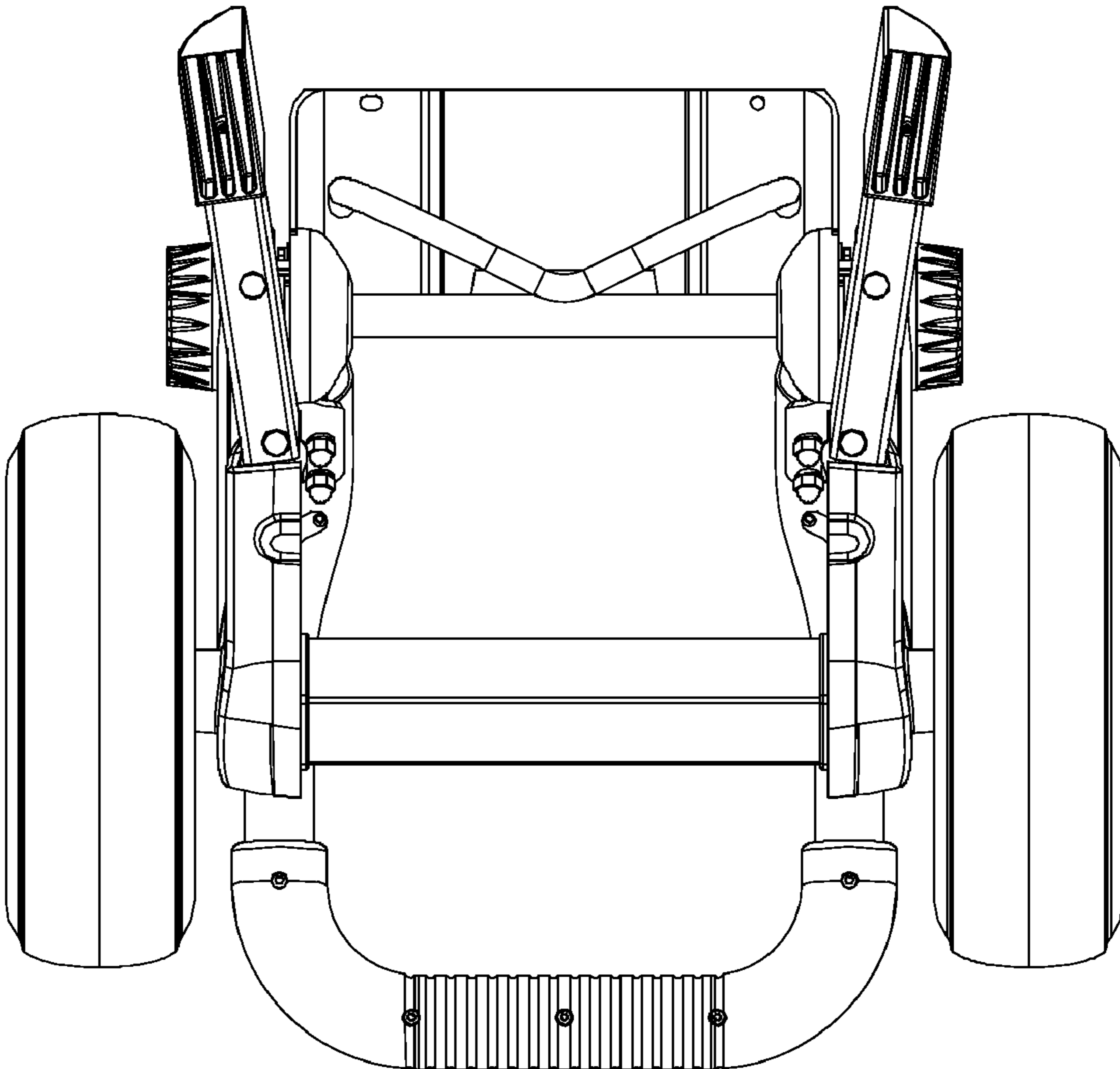


Fig. 7

