



US00D558943S

(12) **United States Design Patent**
Labarbera

(10) **Patent No.:** **US D558,943 S**
(45) **Date of Patent:** **** Jan. 1, 2008**

(54) **CARPET AND FLOOR CLEANING DEVICE HAVING A LIQUID DISPENSING CONTAINER MOUNTED ON THE CONTROL AND EXTENSION HANDLE**

(76) Inventor: **John F. Labarbera**, 12655 Stowe Rd., Poway, CA (US) 92064-6673

(**) Term: **14 Years**

(21) Appl. No.: **29/266,082**

(22) Filed: **Sep. 13, 2006**

(51) **LOC (8) Cl.** **15-05**

(52) **U.S. Cl.** **D32/31**

(58) **Field of Classification Search** D32/21-24, D32/31-33, 40-42, 45, 50-51; 15/244.1, 15/209.1, 228, 350-353, 361, 320-322, 380, 15/400-401, 412-414, 415.1-422, 422.1, 15/327.1-327.7, 246.2; D12/204-213; D21/779, D21/563; 401/138, 268

See application file for complete search history.

(56) **References Cited**

U.S. PATENT DOCUMENTS

D232,298 S *	8/1974	Jones	D32/32
D242,211 S *	11/1976	Parise	D32/32
D246,523 S *	11/1977	Bartlett	D32/32
D255,359 S *	6/1980	Bartlett	D32/32
6,263,539 B1 *	7/2001	Baig	15/322
6,560,818 B1 *	5/2003	Hasko	15/321
2002/0116784 A1 *	8/2002	Sumner	15/322

2007/0028412 A1* 2/2007 Carter et al. 15/321

OTHER PUBLICATIONS

SM100 Spinmaster, Retrieved from Internet on Jul. 8, 2007. Retrieved from <<http://www.mytee.com/products/product.php?id+SM100#>>.*

Parish single and dual jet wand. Retrieved from Internet on Jul. 8, 2007. Retrieved from <http://www.parish-supply.com/xlt60_tool_kit.htm>.*

* cited by examiner

Primary Examiner—Ruth McInroy

(74) *Attorney, Agent, or Firm*—Willie Krawitz

(57) **CLAIM**

The ornamental design for a carpet and floor cleaning device having a liquid dispensing container mounted on the control and extension handle, as shown and described.

DESCRIPTION

FIG. 1 is a perspective of a carpet and floor cleaning device having a liquid dispensing container mounted on the control and extension handle, showing my design;

FIG. 2 is a left side elevation view thereof;

FIG. 3 is a front plan elevation view thereof;

FIG. 4 is a right side elevation view thereof;

FIG. 5 is a rear elevation view thereof;

FIG. 6 is a top plan view thereof; and,

FIG. 7 is a bottom plan view thereof.

1 Claim, 4 Drawing Sheets

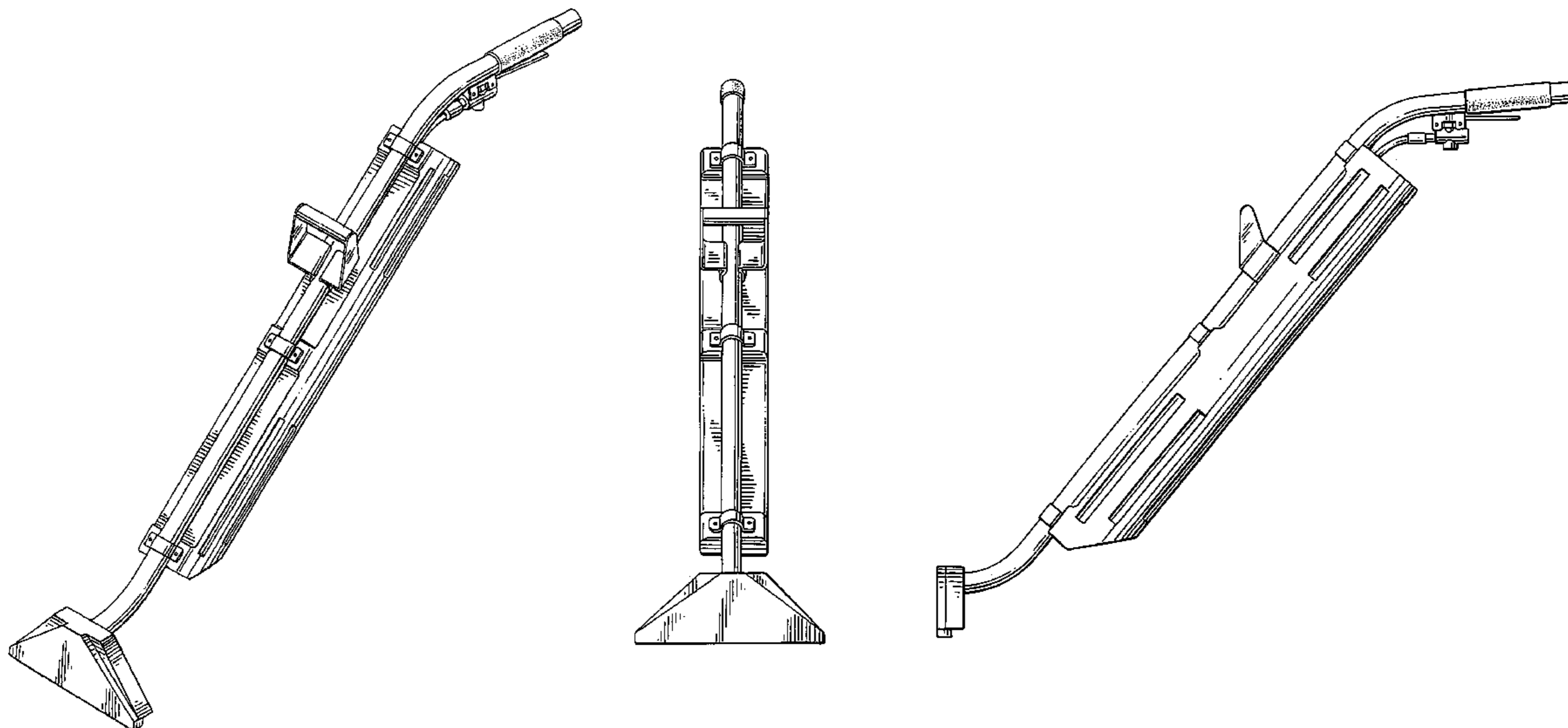
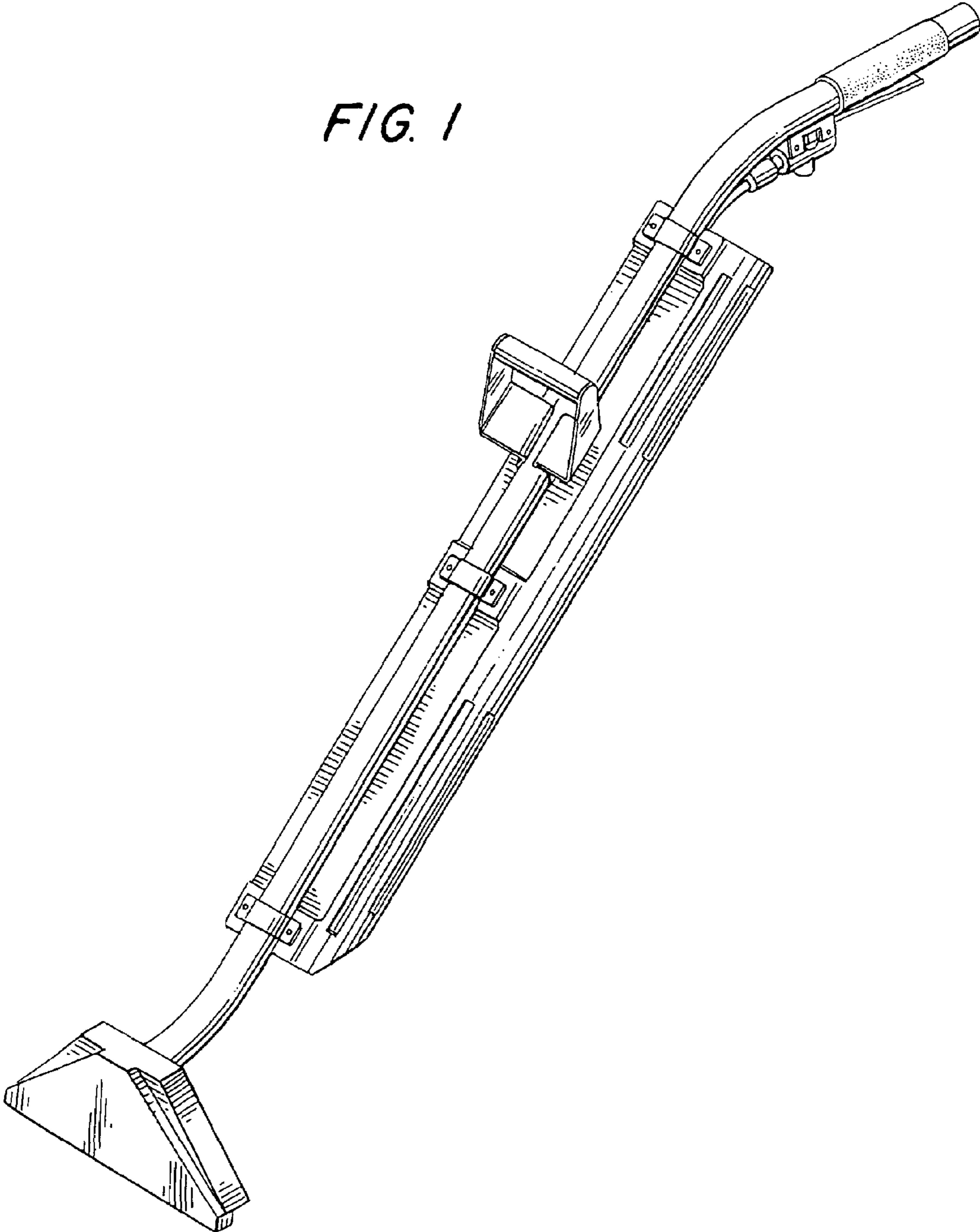


FIG. 1



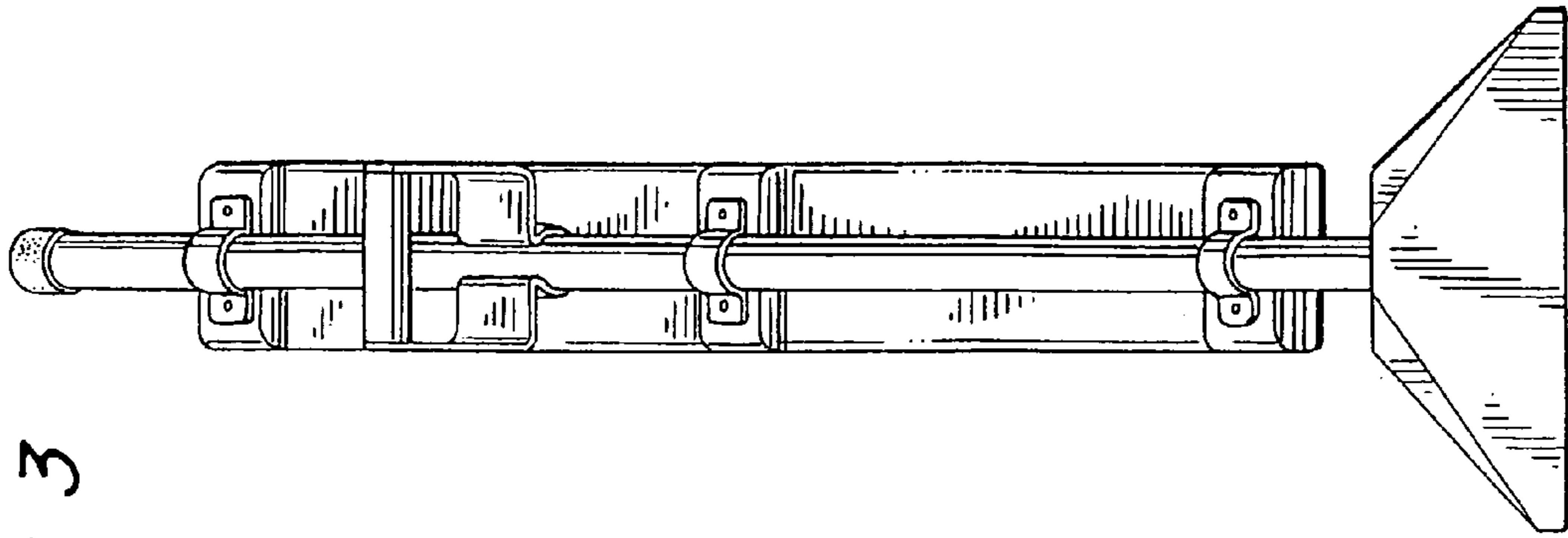


FIG. 3

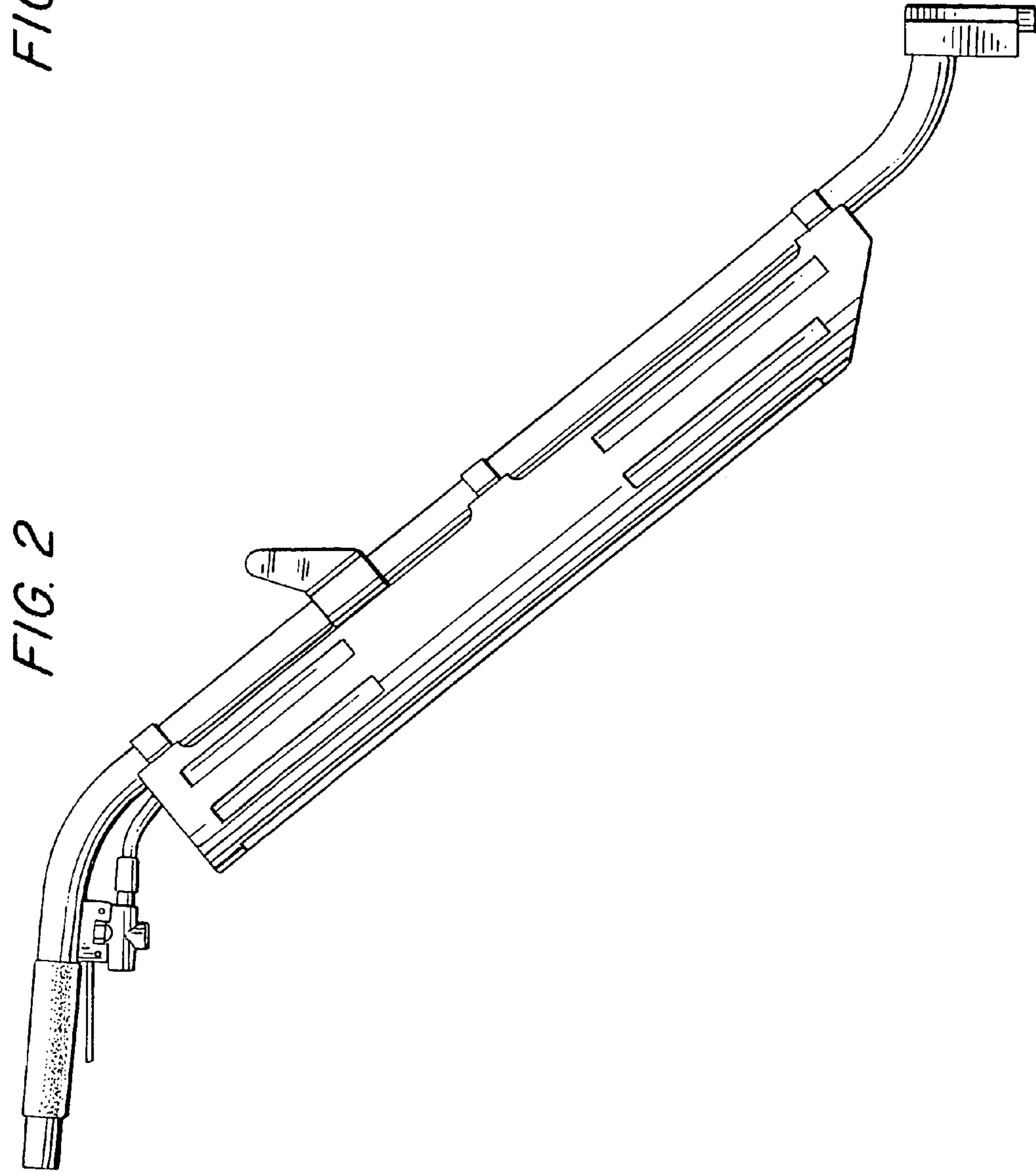


FIG. 2

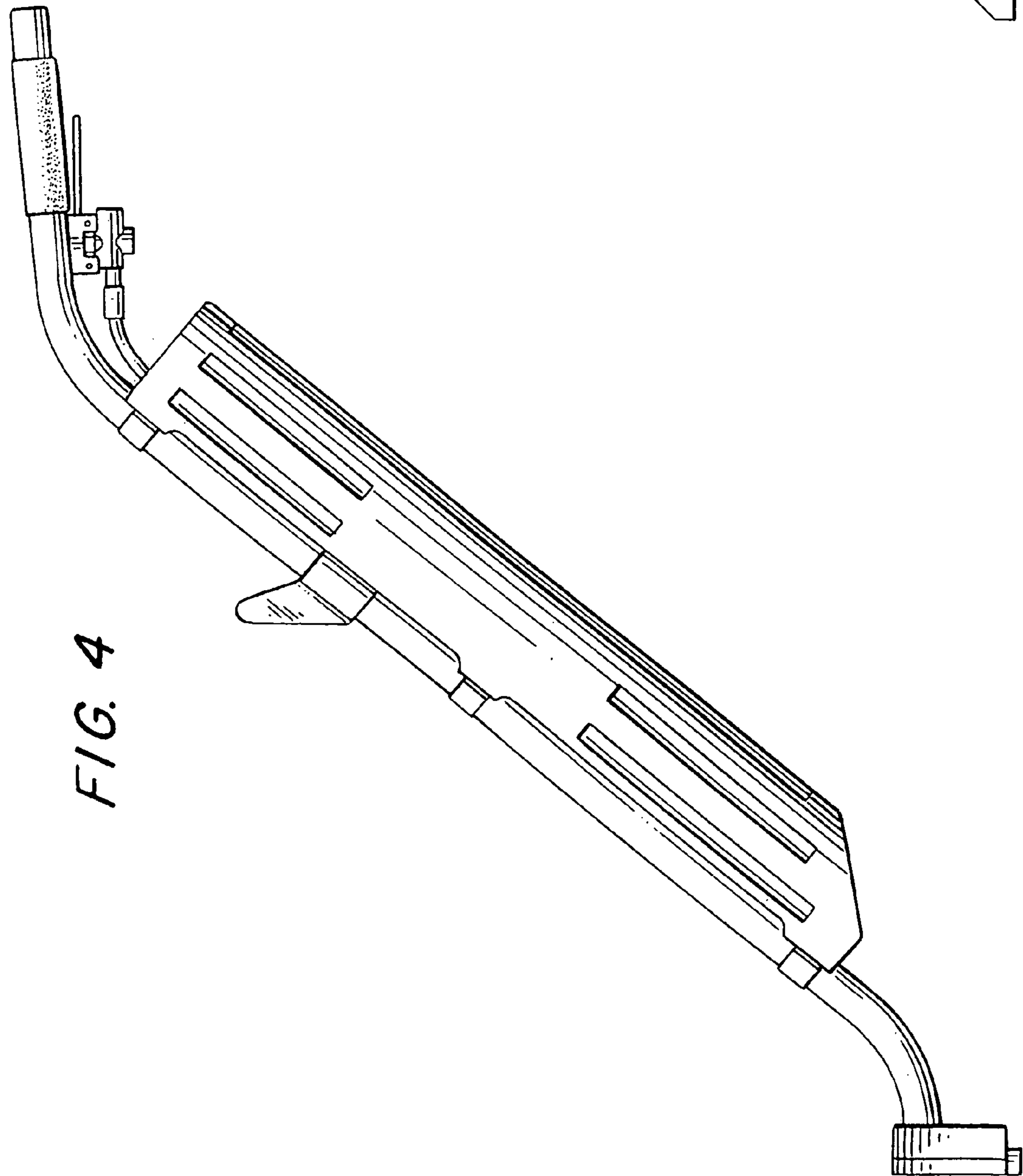
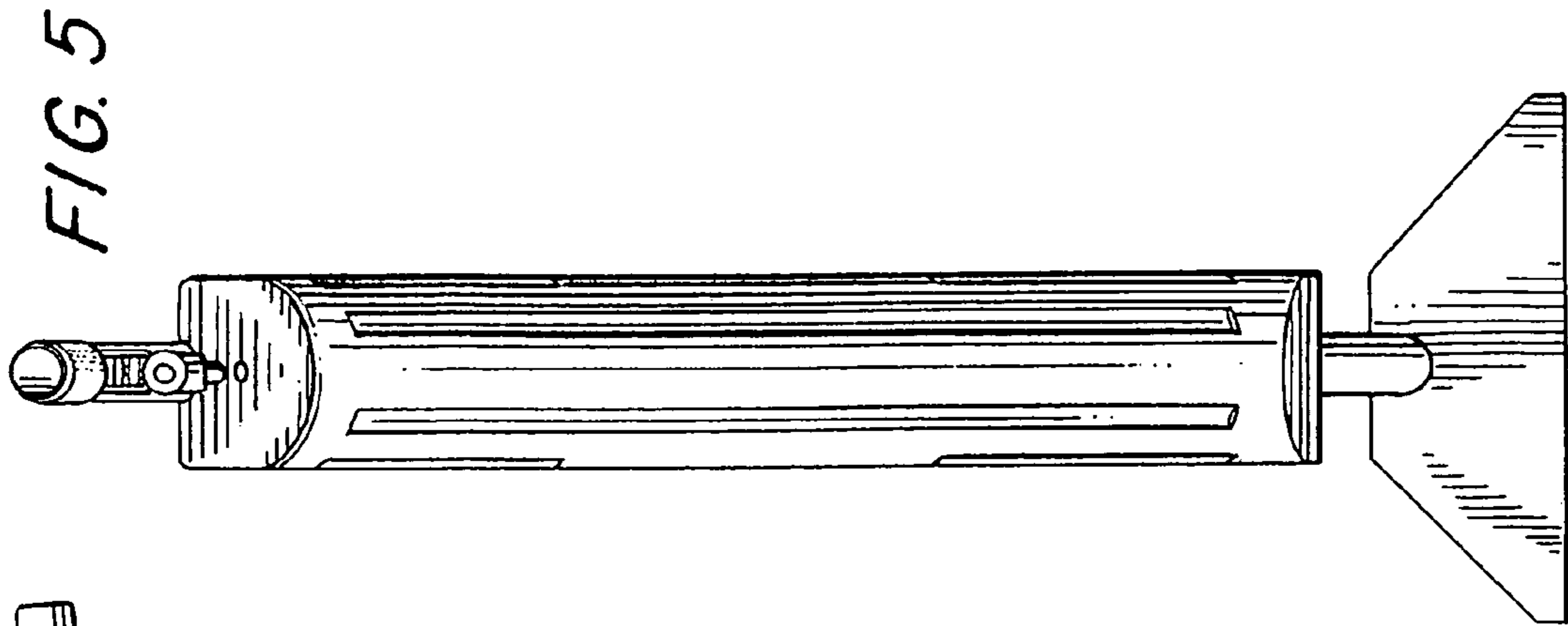


FIG. 6

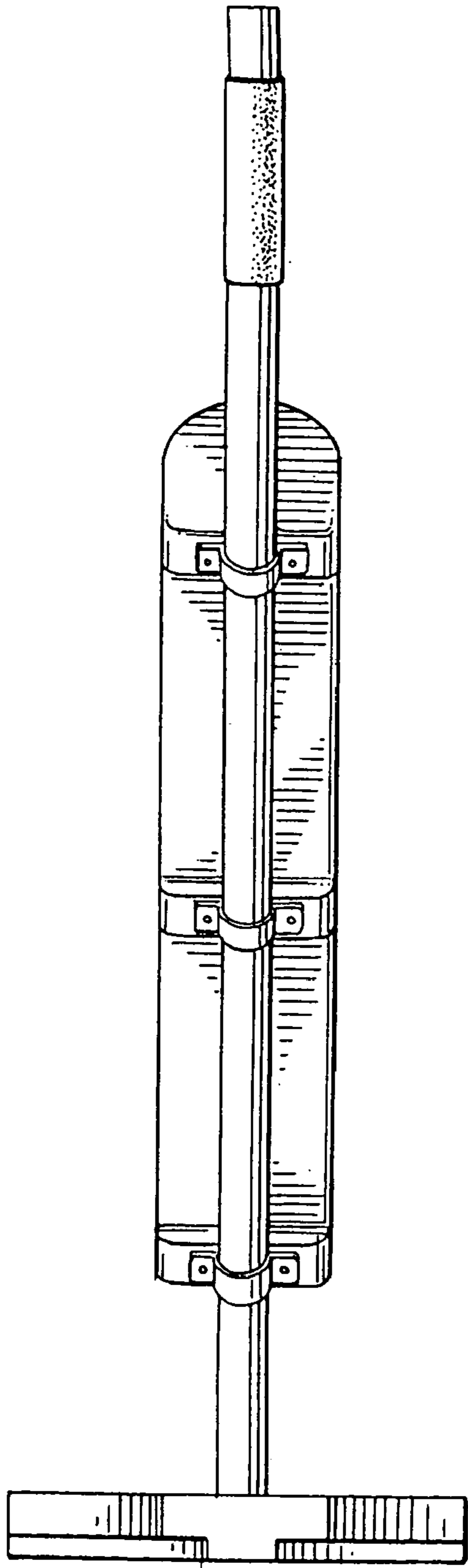


FIG. 7

