

US00D558942S

(12) **United States Design Patent**
Scheifele et al.

(10) **Patent No.:** **US D558,942 S**

(45) **Date of Patent:** **** Jan. 1, 2008**

(54) **VACUUM CLEANER BODY**

(75) Inventors: **Kevin E. Scheifele**, Tallmadge, OH (US); **Patrick J. Quinn**, North Canton, OH (US); **Andrew C. Budd**, Clinton, OH (US); **Stephen Casteel**, Canal Fulton, OH (US)

(73) Assignee: **The Hoover Company**, North Canton, OH (US)

(**) Term: **14 Years**

(21) Appl. No.: **29/264,303**

(22) Filed: **Aug. 8, 2006**

(51) **LOC (8) Cl.** **15-05**

(52) **U.S. Cl.** **D32/31**

(58) **Field of Classification Search** D32/21-22, D32/31, 34; 15/328-329, 320-321, 323, 15/257.01, 347, 350-353, 361, 363, 366, 15/410-412, 414, 415.1, 335, 327.1

See application file for complete search history.

(56) **References Cited**

U.S. PATENT DOCUMENTS

D400,324 S * 10/1998 Bobrosky et al. D32/31
D439,381 S * 3/2001 Saunders et al. D32/31

D442,344 S * 5/2001 Alford et al. D32/31
D442,751 S * 5/2001 Mehaffey et al. D32/31
D460,229 S * 7/2002 Zahuranec et al. D32/31
D504,548 S * 4/2005 Moine et al. D32/31
D537,994 S * 3/2007 Leyden D32/31

* cited by examiner

Primary Examiner—Ruth McInroy

(74) *Attorney, Agent, or Firm*—Renner, Kenner, Greive, Bobak, Taylor & Weber

(57) **CLAIM**

The ornamental design for a vacuum cleaner body, as shown and described.

DESCRIPTION

FIG. 1 is a front perspective view of a vacuum cleaner body showing our new design;

FIG. 2 is a top view thereof;

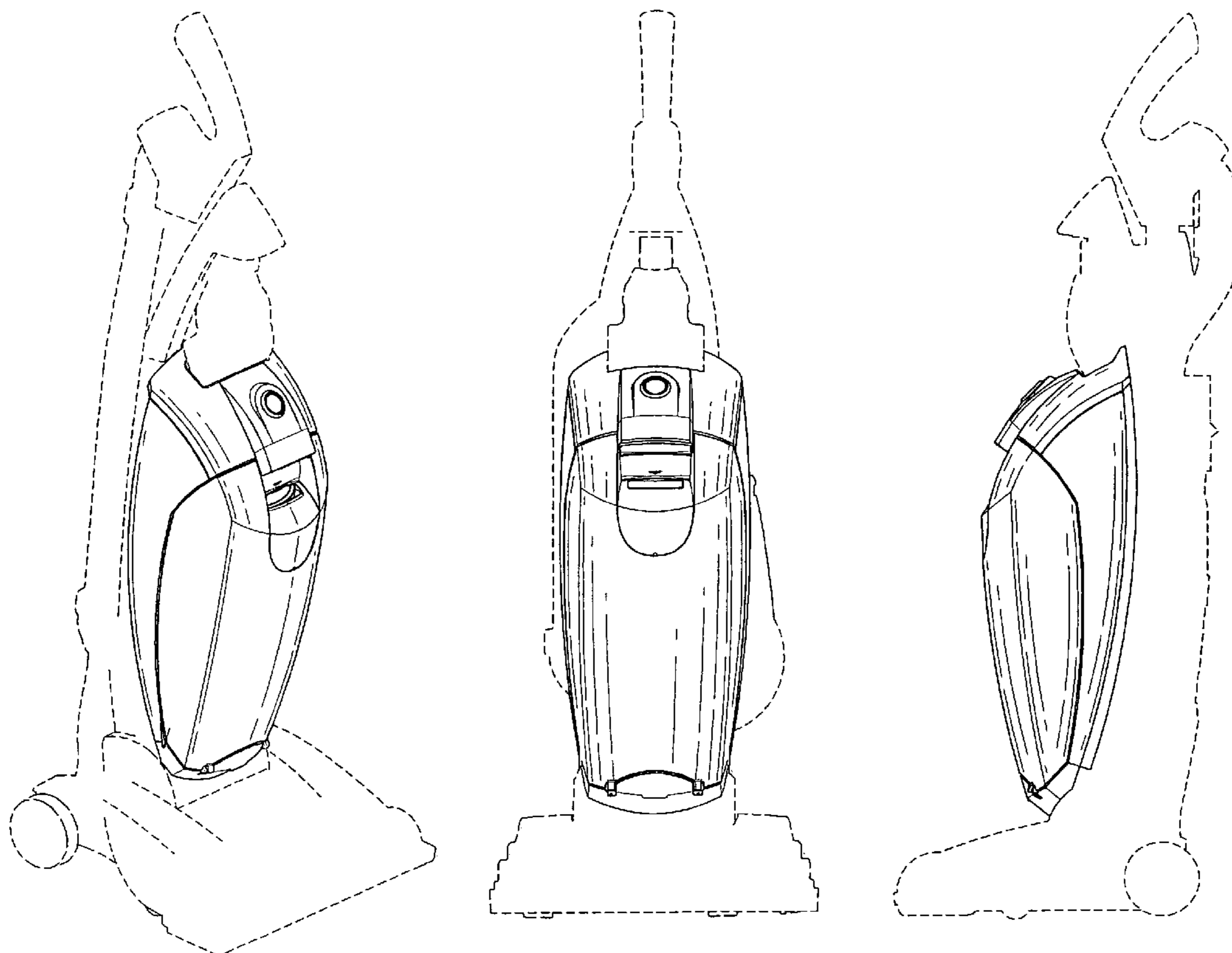
FIG. 3 is a front view thereof;

FIG. 4 is a right side view thereof; and,

FIG. 5 is a left side view thereof.

The portions shown in dashed lines are shown for illustrative purposes only and form no part of the claimed design.

1 Claim, 3 Drawing Sheets



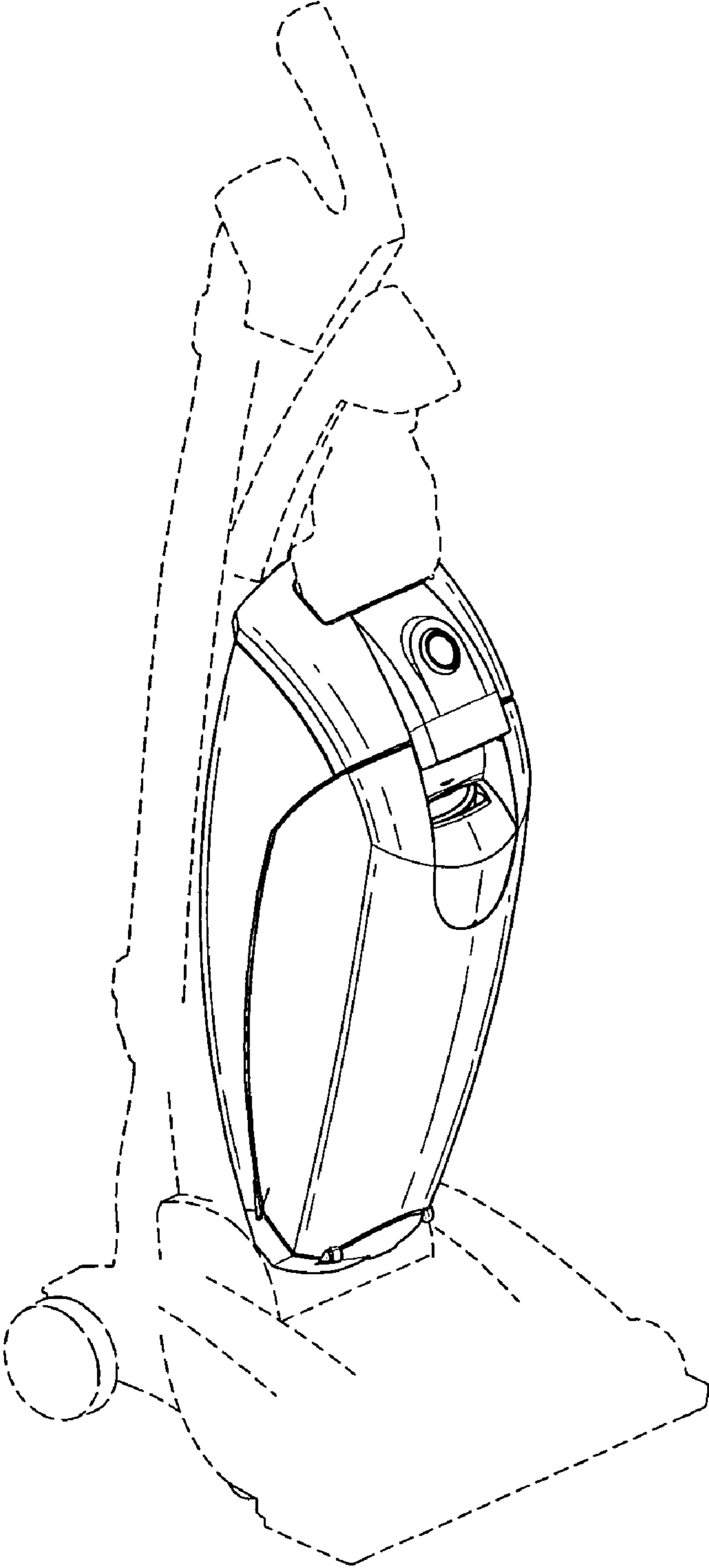


FIG-1

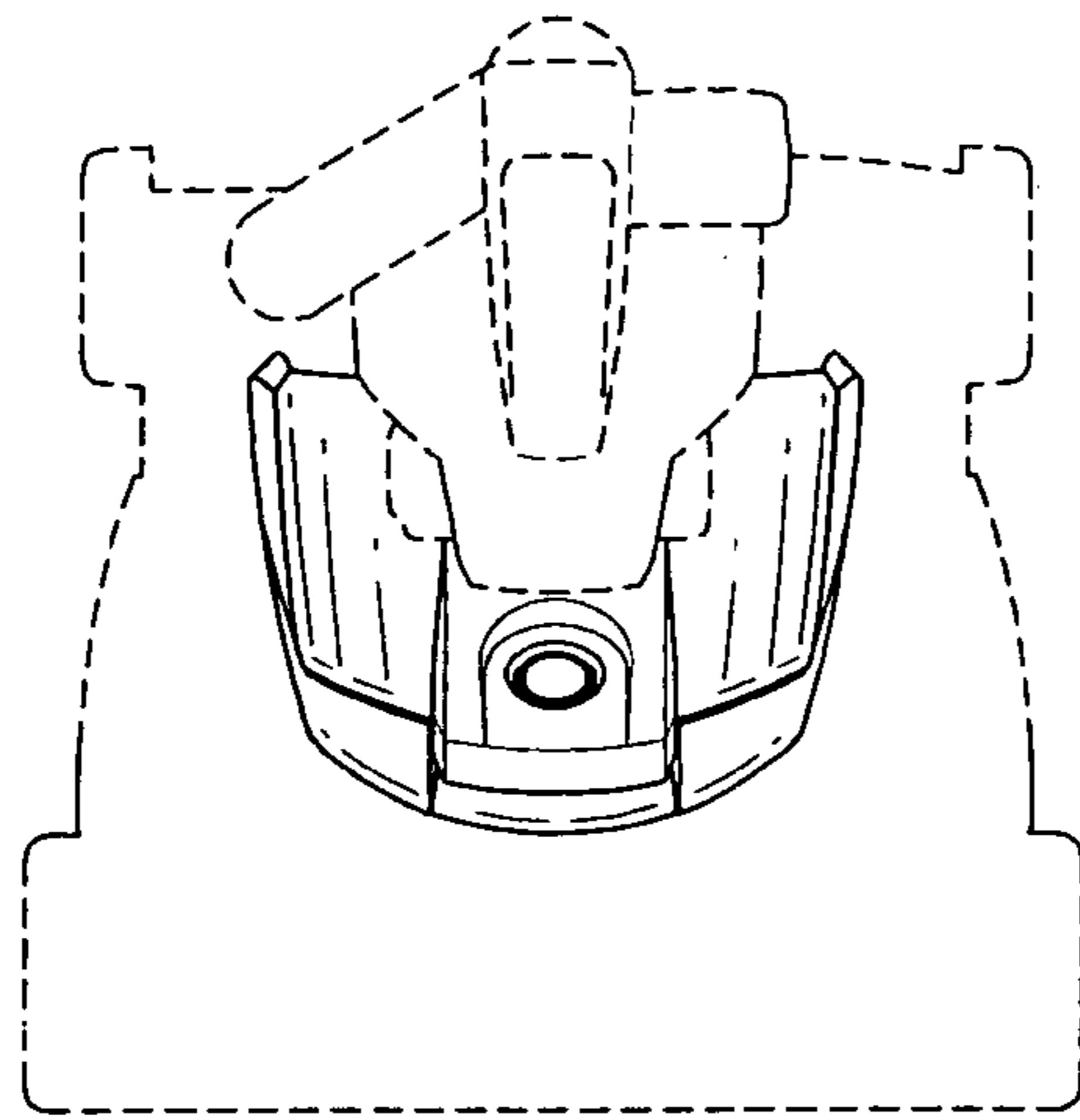


FIG-2

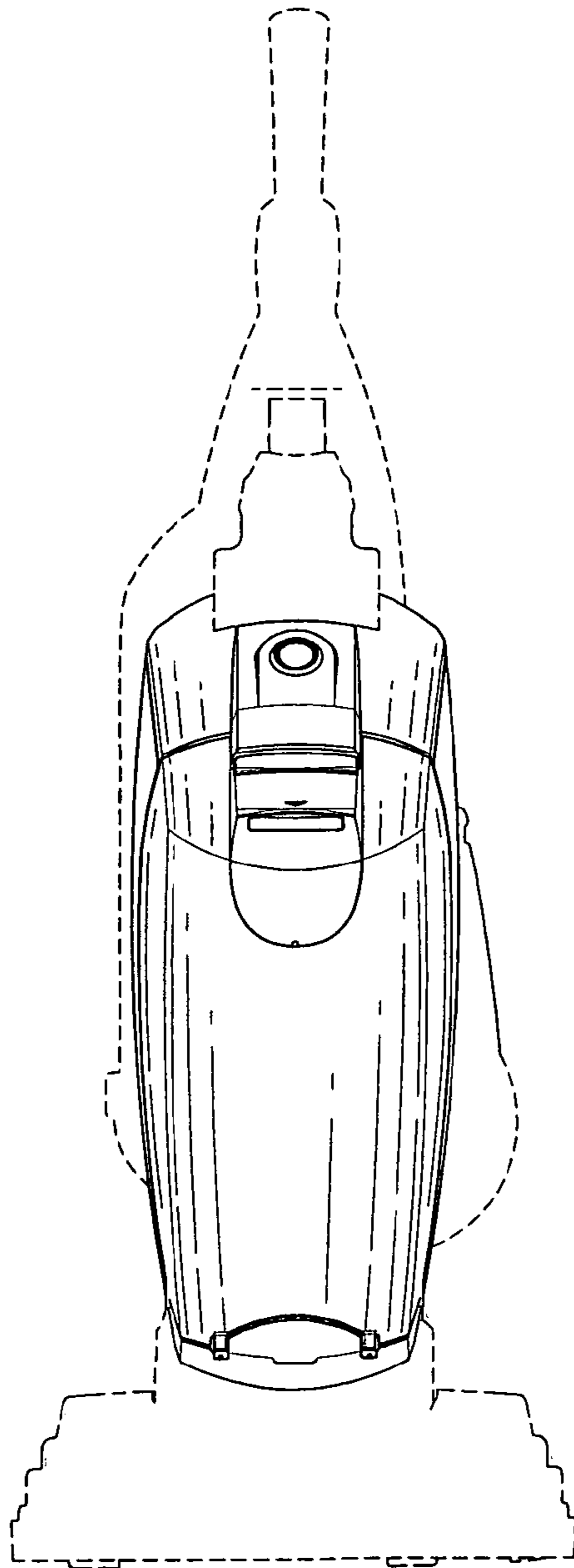


FIG-3

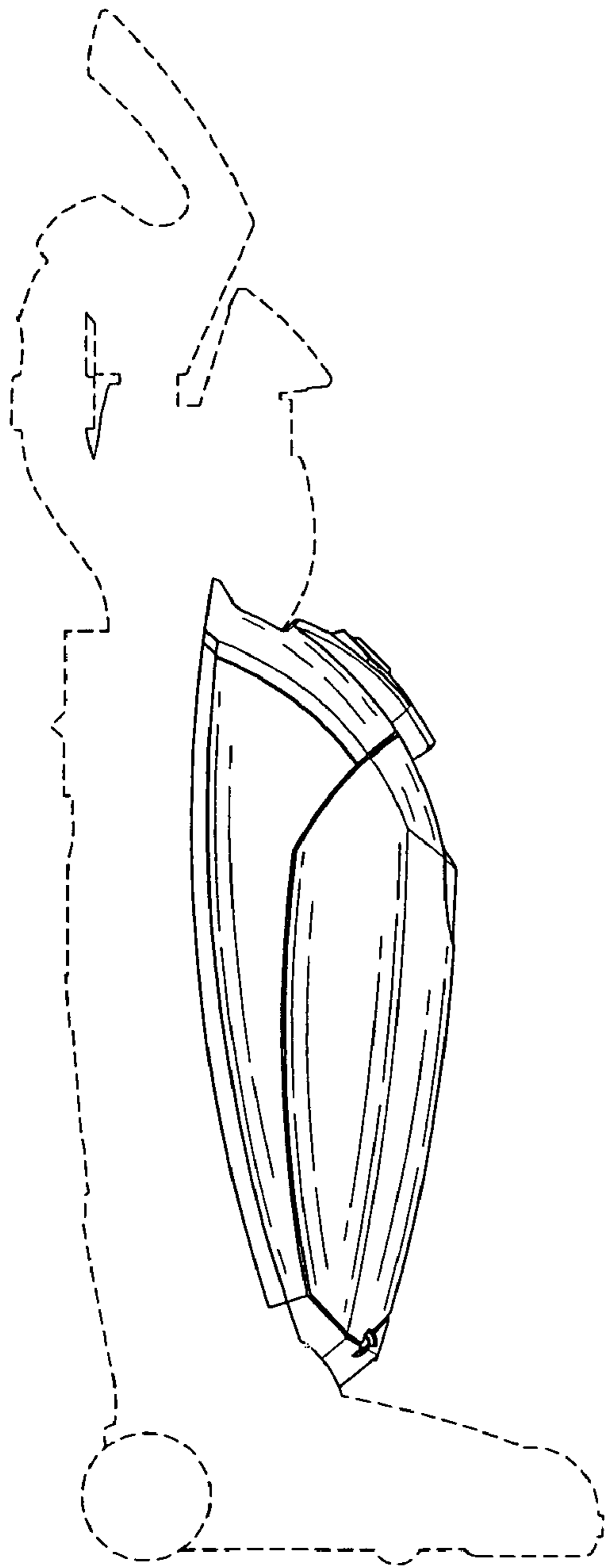


FIG-4

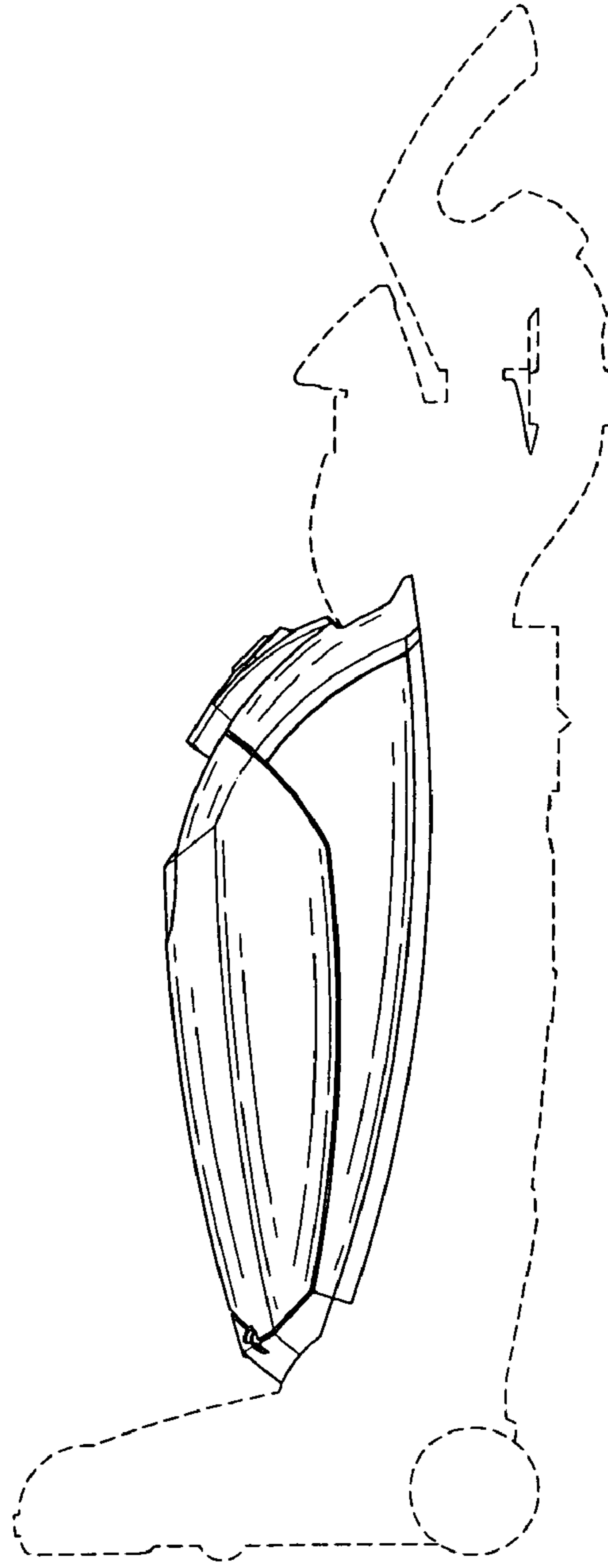


FIG-5