



US00D558941S

(12) **United States Design Patent**
Muscarella

(10) **Patent No.:** **US D558,941 S**
(45) **Date of Patent:** **** Jan. 1, 2008**

(54) **DUAL TANK CONTAINER FOR SPRAYING
CLEANING SOLUTION AND REMOVAL OF
WASTE WATER FROM A FABRIC OR
FLOOR CLEANING OPERATION**

(76) Inventor: **Sal Muscarella**, 13655 Stowe Rd.,
Poway, CA (US) 92064

(**) Term: **14 Years**

(21) Appl. No.: **29/258,132**

(22) Filed: **Apr. 17, 2006**

(51) **LOC (8) Cl.** **15-05**

(52) **U.S. Cl.** **D32/25**

(58) **Field of Classification Search** D32/17,
D32/18, 21, 1, 15, 22, 25, 31, 19, 20, 30,
D32/35; 15/320-321, 3.12, 3.14, 302, 346;
239/146-147; D23/202-203; 220/4.12,
220/565, 567; 210/532.2; D15/7
See application file for complete search history.

(56) **References Cited**

U.S. PATENT DOCUMENTS

- D240,698 S * 7/1976 Durkee D32/30
- 4,301,841 A * 11/1981 Sandow 141/98
- D293,262 S * 12/1987 Sayward D23/202
- D340,556 S * 10/1993 Berfield et al. D32/1
- D386,240 S * 11/1997 Howseman, Jr. D23/202
- D445,477 S * 7/2001 Pomier D23/207
- D447,943 S * 9/2001 Justice D9/424
- D506,584 S * 6/2005 Whittaker D32/25
- D527,789 S * 9/2006 Thompson et al. D23/202

D534,325 S * 12/2006 Kramer D32/30

* cited by examiner

Primary Examiner—Kathleen M. Sims

(74) *Attorney, Agent, or Firm*—Willie Krawitz

(57) **CLAIM**

The ornamental design for a dual tank container for spraying cleaning solution and removal of waste water from a fabric or floor cleaning operation, as shown and described.

DESCRIPTION

FIG. 1 is an upper side perspective view of a dual tank container for spraying cleaning solution and removal of waste water from a fabric or floor cleaning operation, showing my design;

FIG. 2 is a top plan view thereof;

FIG. 3 is a bottom plan view thereof;

FIG. 4 is a right side elevation view thereof;

FIG. 5 is a left side elevation view thereof;

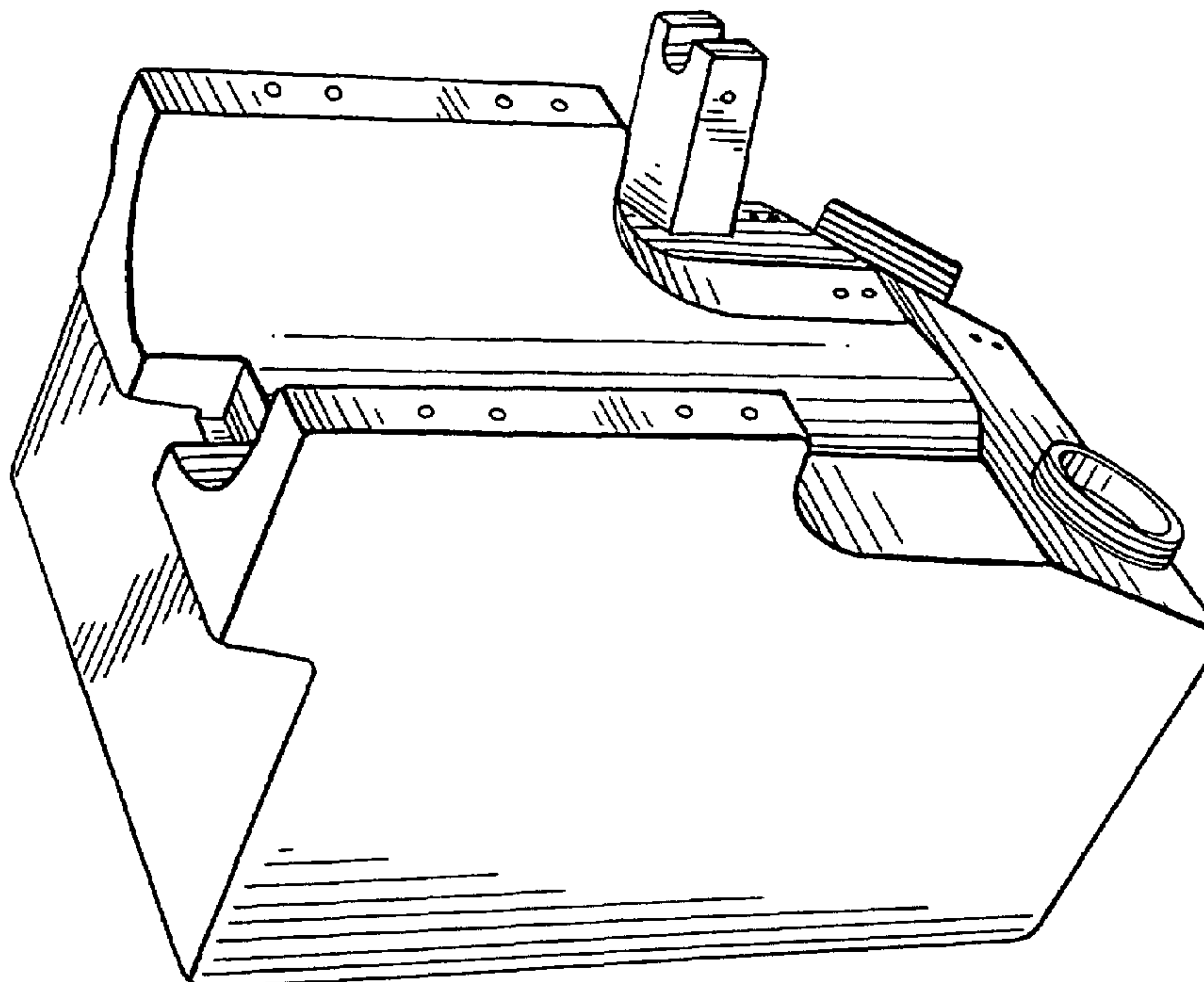
FIG. 6 is a front elevation view thereof;

FIG. 7 is a rear elevation view thereof; and,

FIG. 8 is a front perspective view thereof.

The broken line showing of hoses, spray gun, and canister in FIG. 8 is included for the purpose of illustrating portions of the dual tank container for spraying cleaning solution and removal of waste water from a fabric or floor cleaning operation and forms no part of the claimed design.

1 Claim, 5 Drawing Sheets



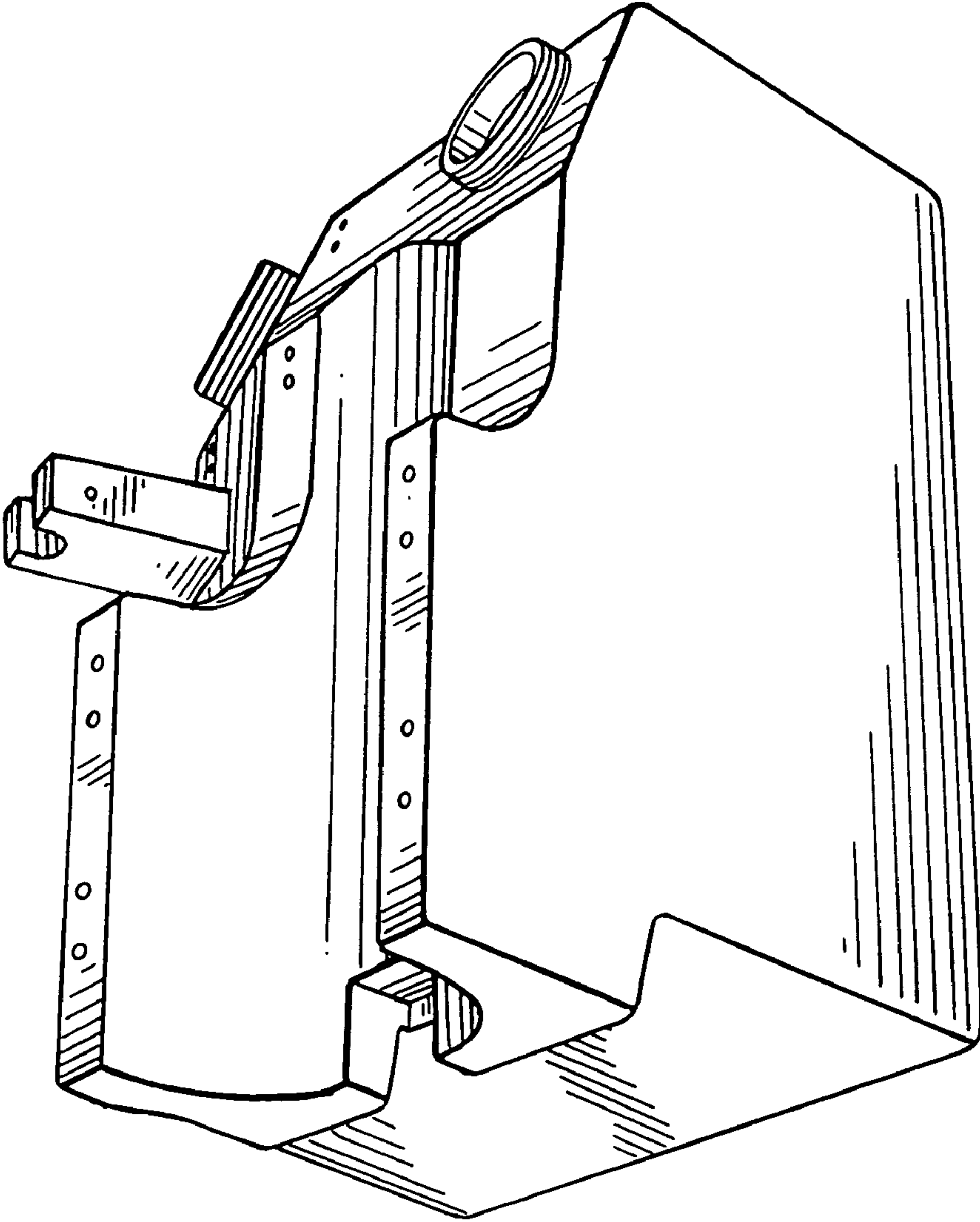


FIG. 1

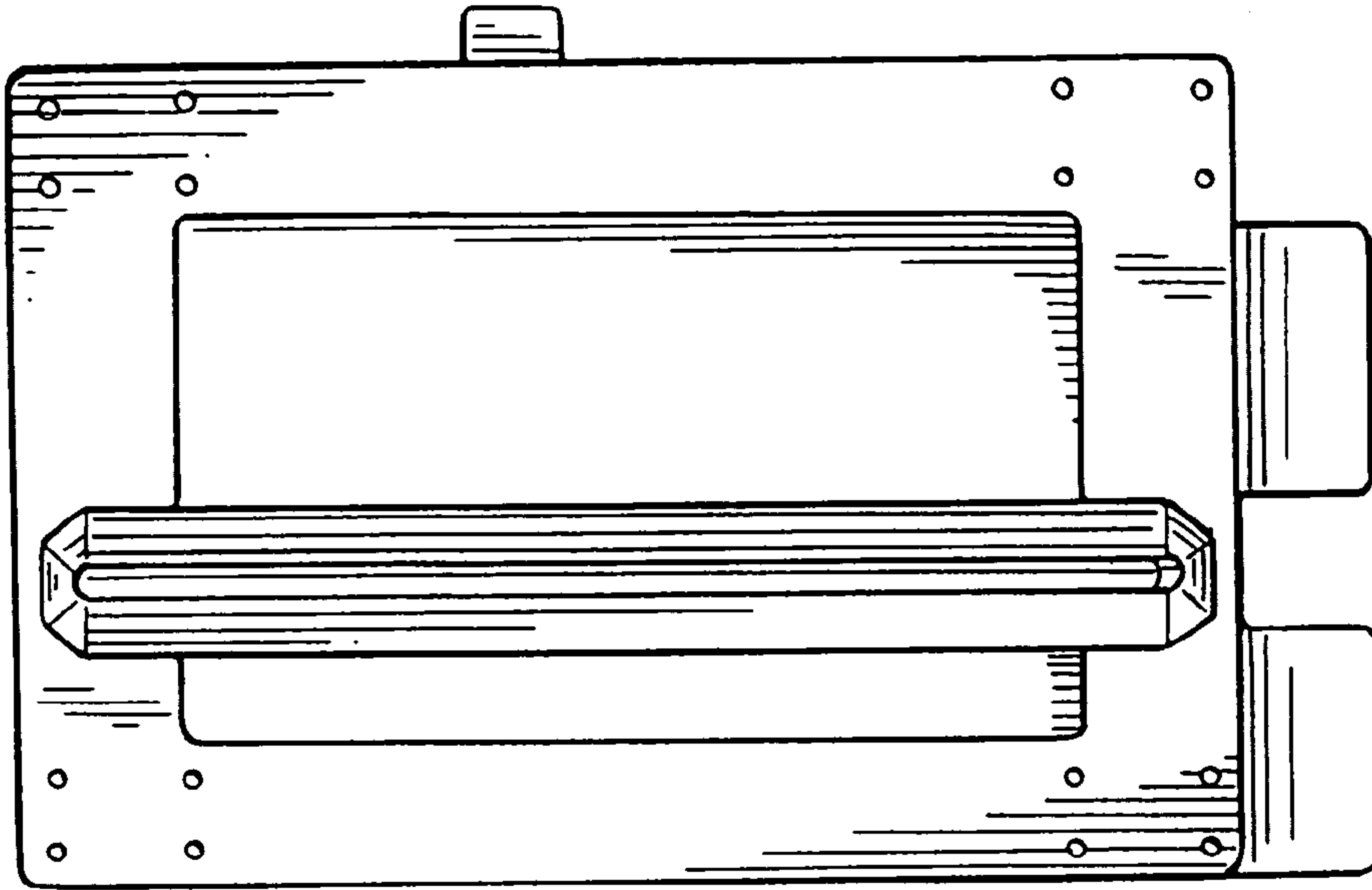


FIG. 2

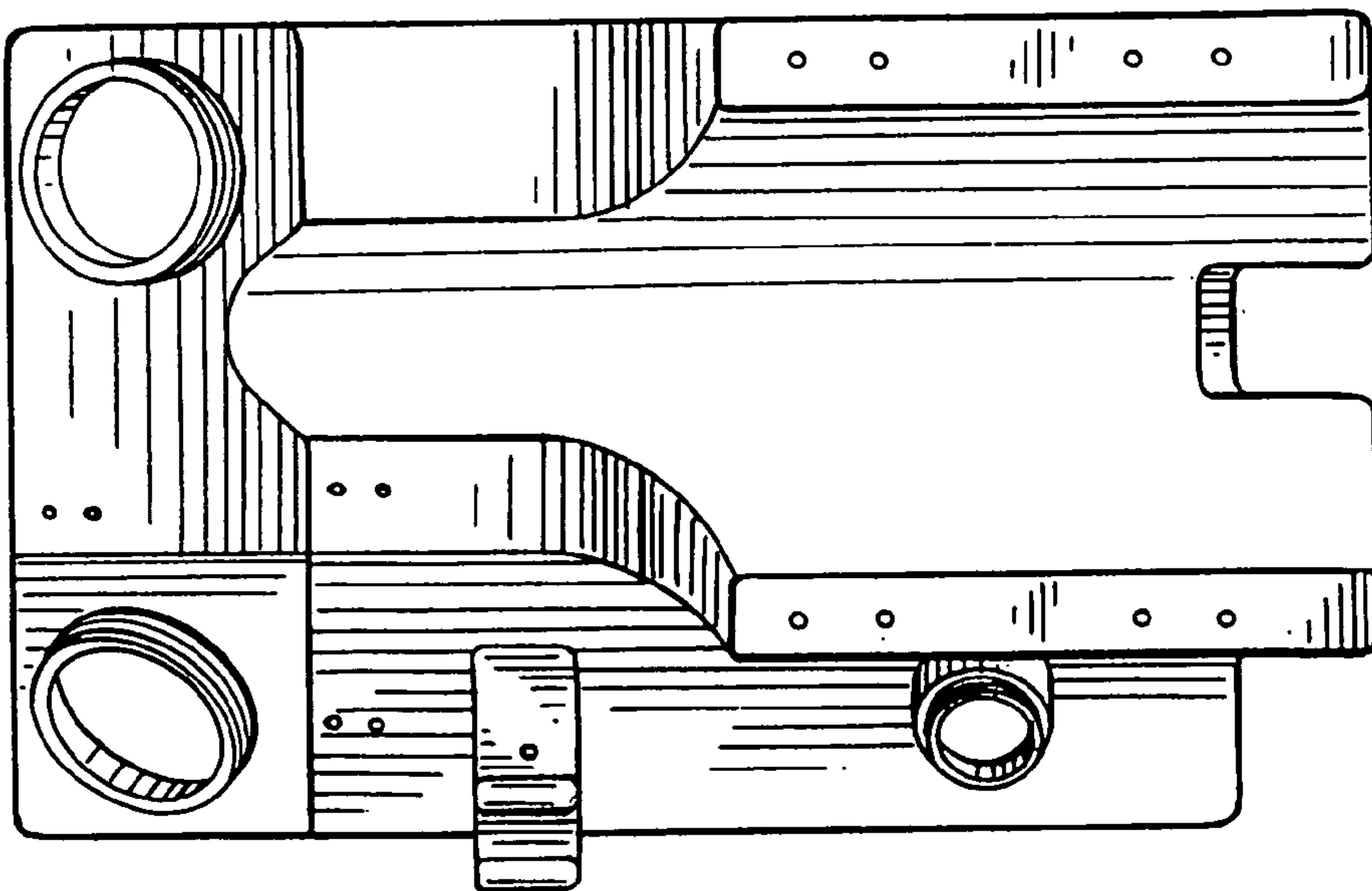


FIG. 3

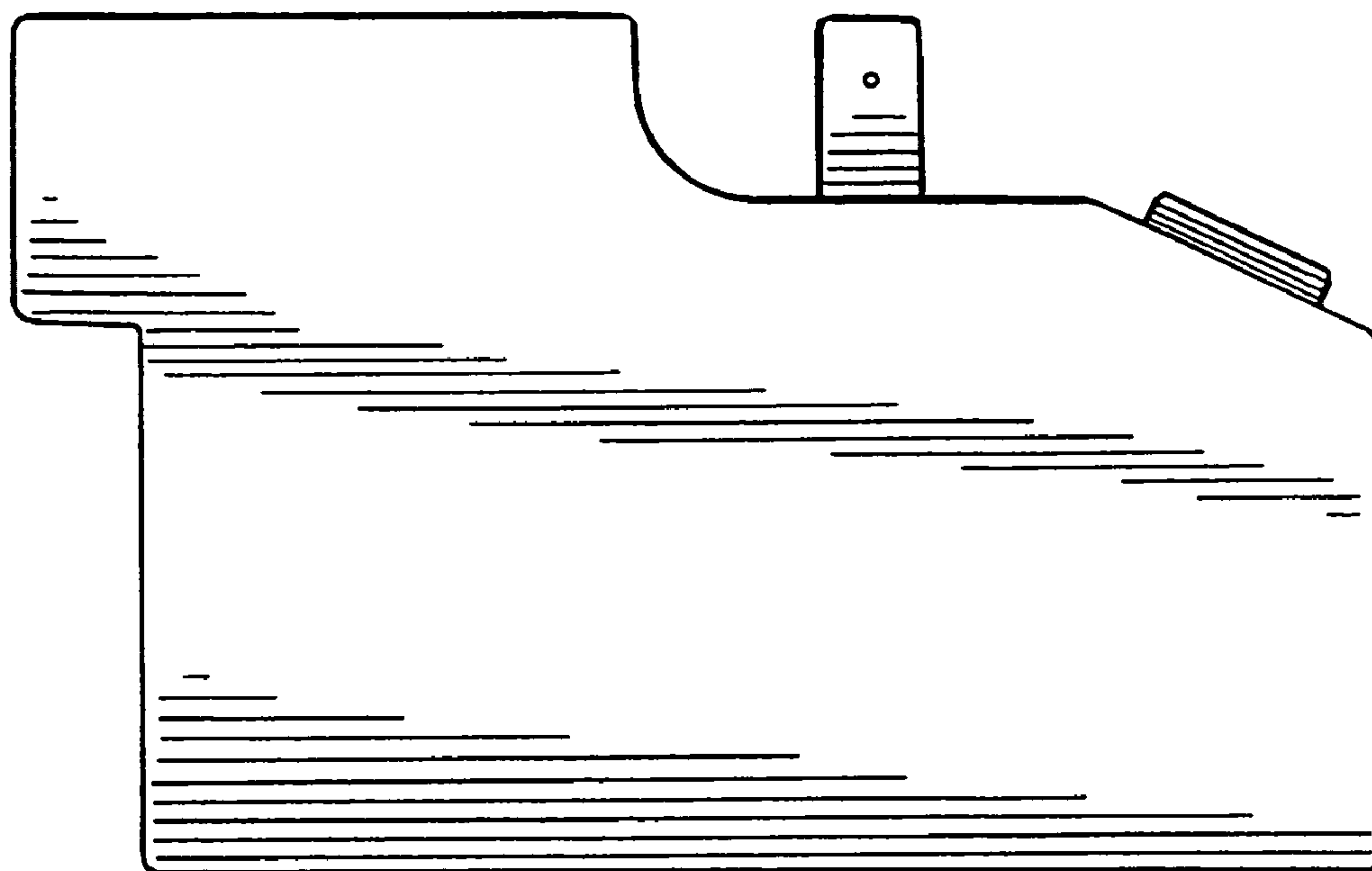


FIG. 4

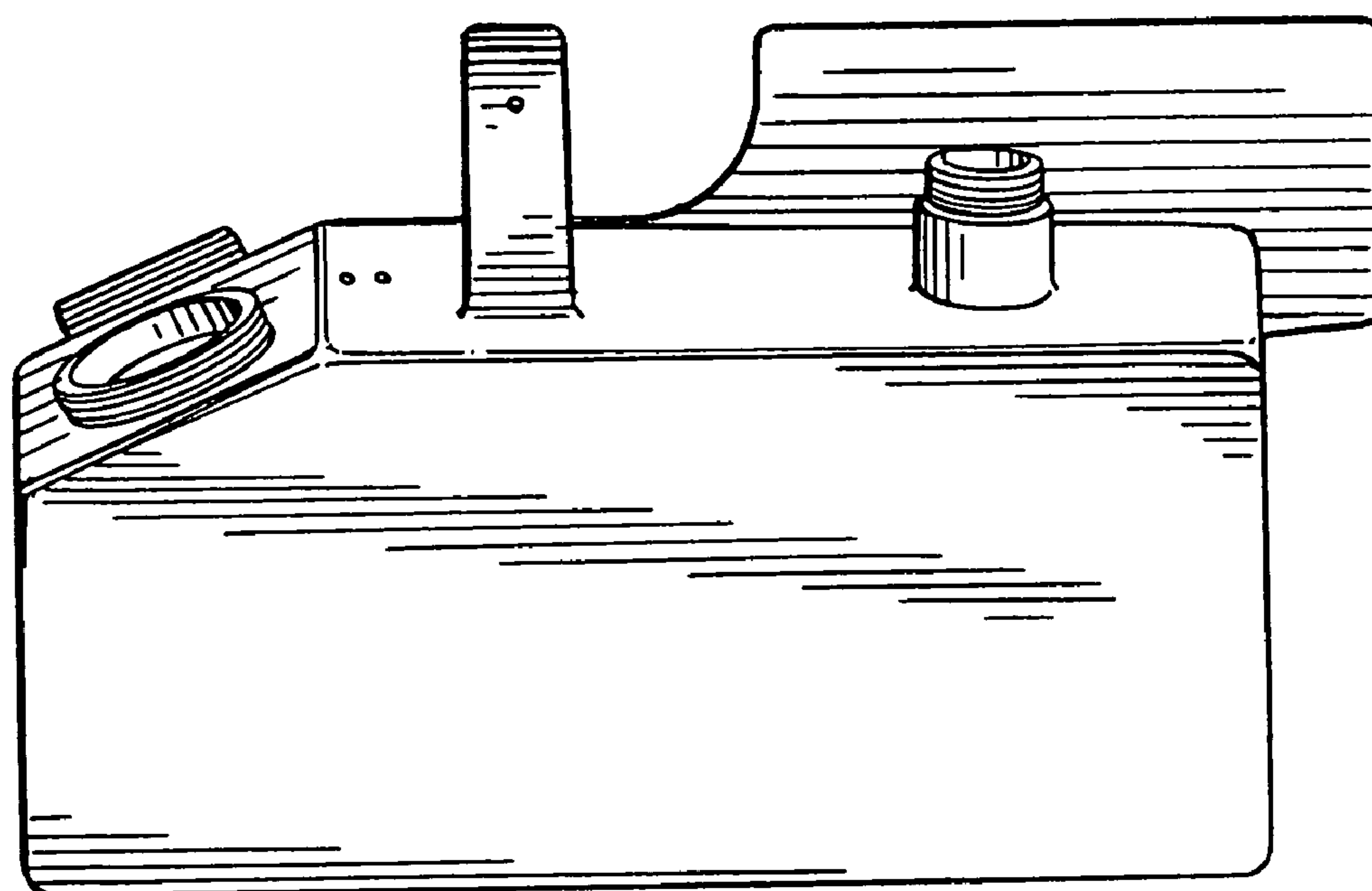


FIG. 5

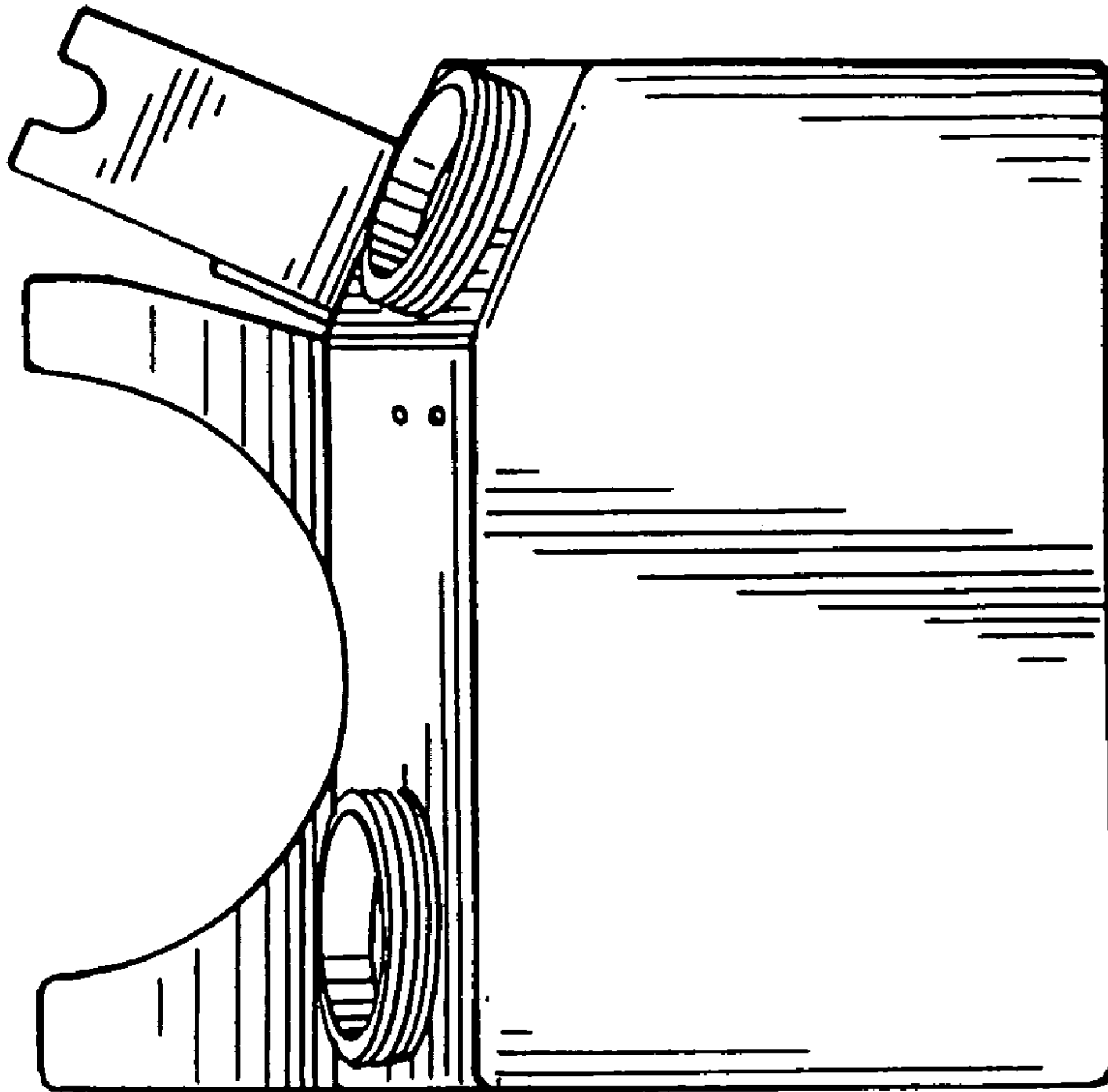


FIG. 6

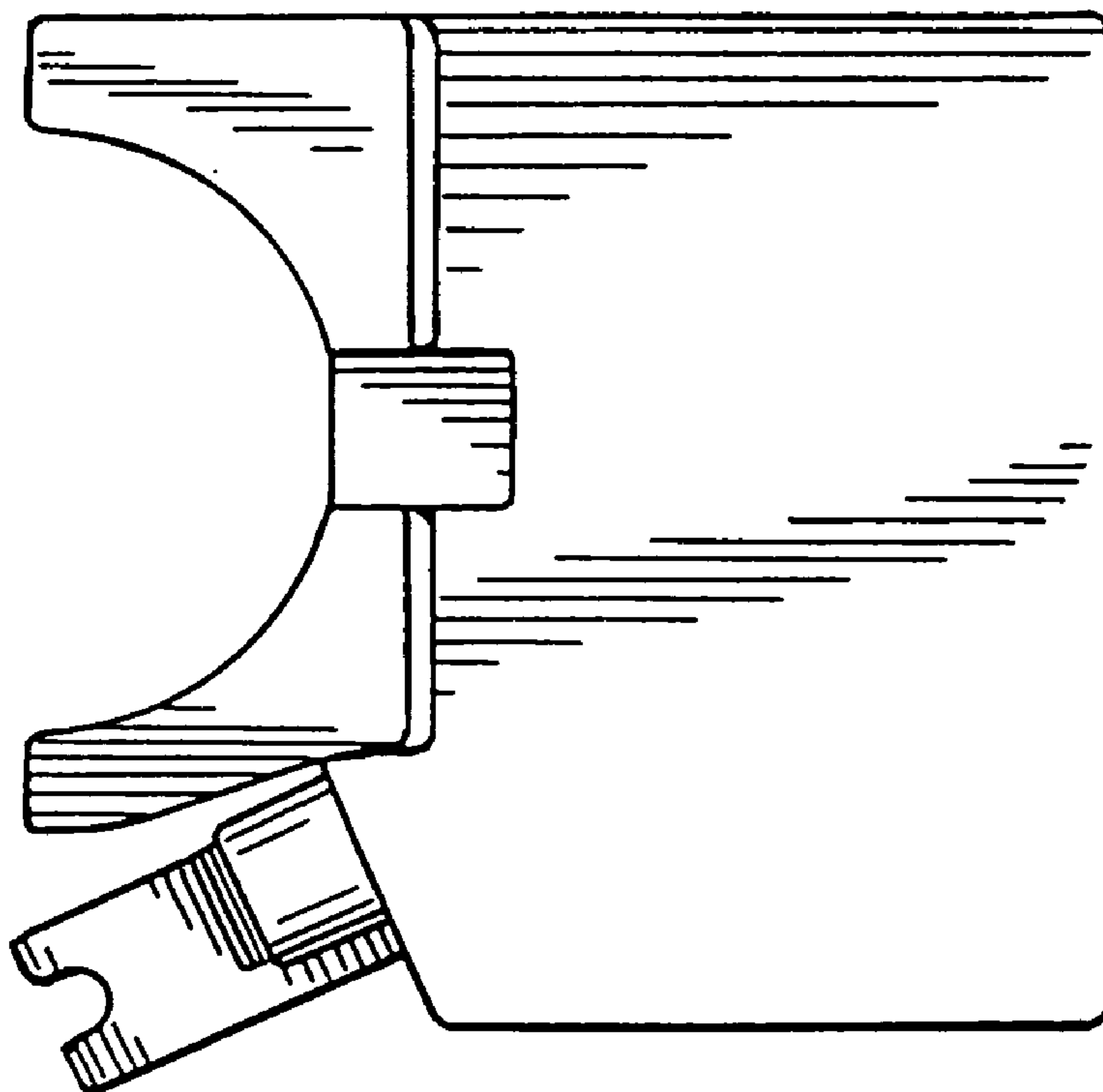


FIG. 7

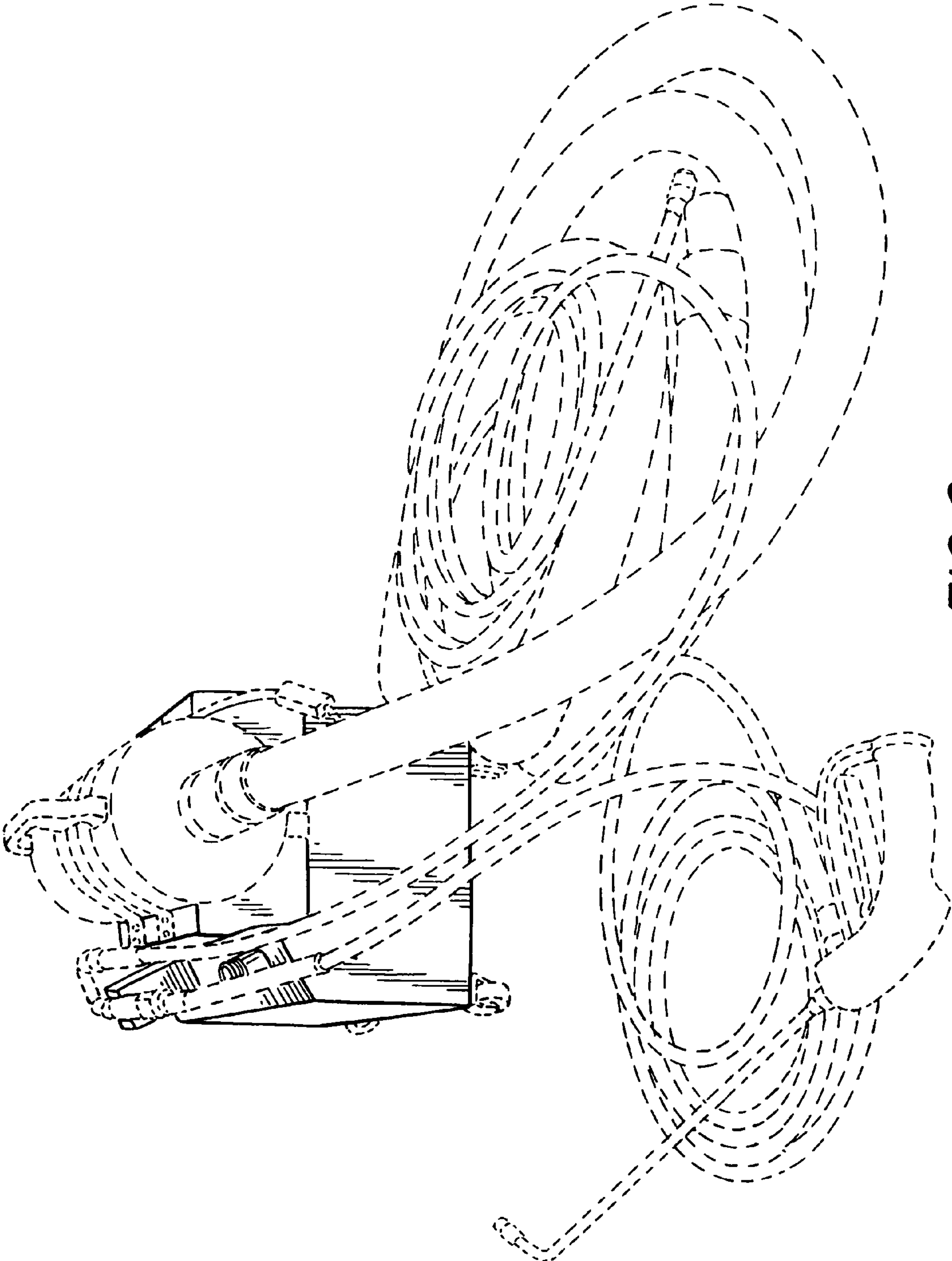


FIG. 8