



US00D558939S

(12) **United States Design Patent**
Yuasa

(10) **Patent No.:** **US D558,939 S**
(45) **Date of Patent:** **** Jan. 1, 2008**

(54) **PORTABLE AIR BLOWER**

- (75) Inventor: **Tsuneyoshi Yuasa**, Kobe (JP)
- (73) Assignee: **Kawasaki Jukogyo Kabushiki Kaisha**, Hyogo (JP)
- (**) Term: **14 Years**
- (21) Appl. No.: **29/279,164**
- (22) Filed: **Apr. 20, 2007**

- (51) **LOC (8) Cl.** **15-05**
- (52) **U.S. Cl.** **D32/15**
- (58) **Field of Classification Search** D32/1,
D32/15, 16, 21, 25, 17, 18; 15/344, 345,
15/403; D23/213

See application file for complete search history.

(56) **References Cited**

U.S. PATENT DOCUMENTS

4,644,606	A *	2/1987	Luerken et al.	15/330
D297,274	S *	8/1988	Komiya et al.	D32/15
D363,149	S *	10/1995	Franke et al.	D32/15
5,806,133	A *	9/1998	Iida	15/412
D427,394	S *	6/2000	Yamane et al.	D32/15
D431,697	S *	10/2000	Hayakawa et al.	D32/15
6,468,053	B2 *	10/2002	Wolpert	417/312
6,552,891	B1 *	4/2003	Prach	361/212
D526,750	S *	8/2006	Ito	D32/15

OTHER PUBLICATIONS

- <http://www.norwalkpower.com/ProductImages/kawasaki?KRH300AC.jpg> Jul. 27, 2007.*
- http://northernrntool.com/webapp/wcs/stores/servlet/product_6970_200305907_200305907 Jul. 17, 2007.*
- http://s7.sears.com/is/image/Sears/07179496000?hei=250&wid=250&qlt=90,0&resMode=sharp&op_usm Jul. 27, 2007.*

* cited by examiner

Primary Examiner—Stella M. Reid
Assistant Examiner—Kathleen M. Sims

(57) **CLAIM**

The ornamental design for a portable air blower, as shown and described.

DESCRIPTION

FIG. 1 is a front elevational view of a portable air blower showing my new design;

FIG. 2 is a rear elevational view thereof;

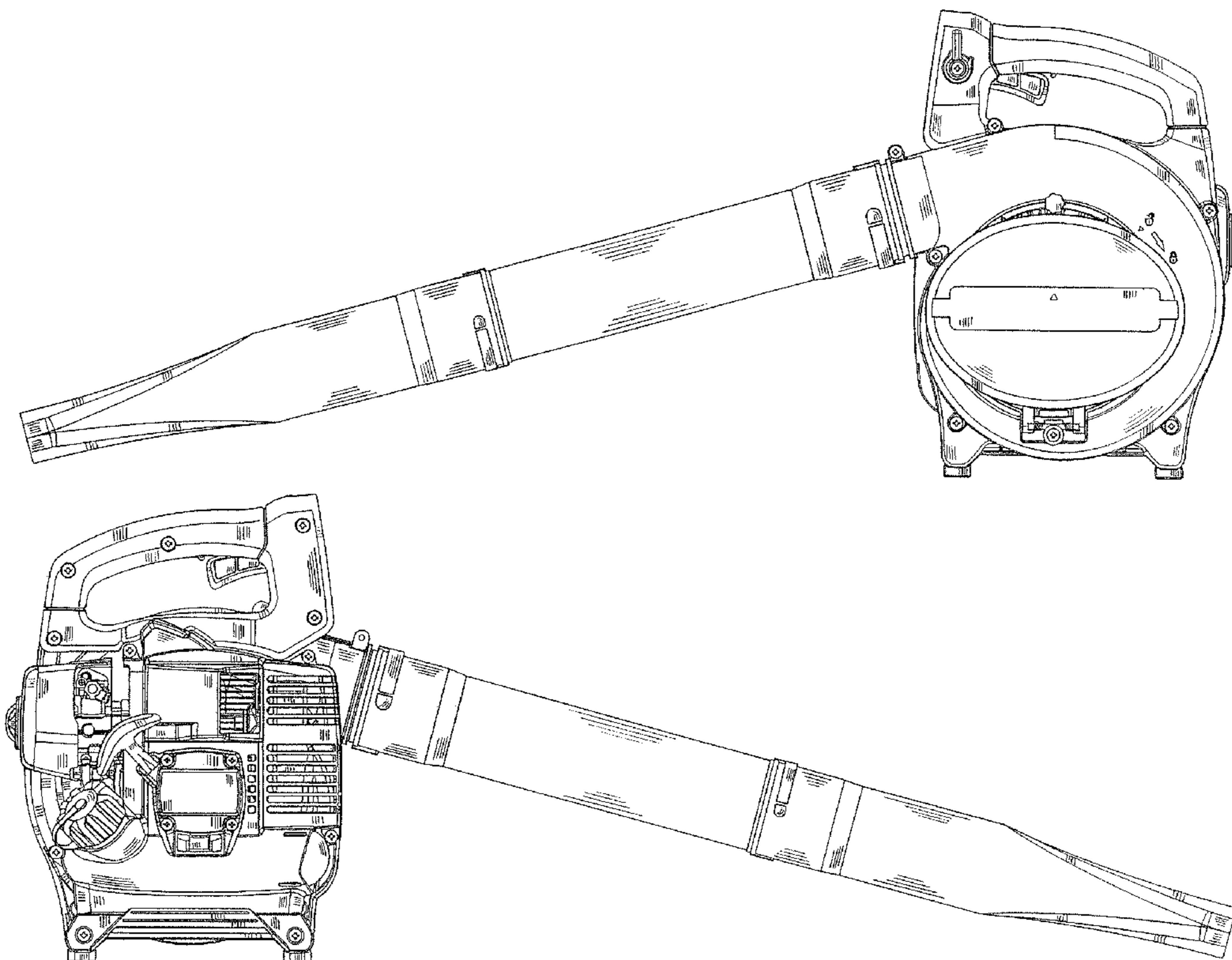
FIG. 3 is a left side elevational view thereof;

FIG. 4 is a right side elevational view thereof;

FIG. 5 is a top plan view thereof; and,

FIG. 6 is a bottom plan view thereof.

1 Claim, 5 Drawing Sheets



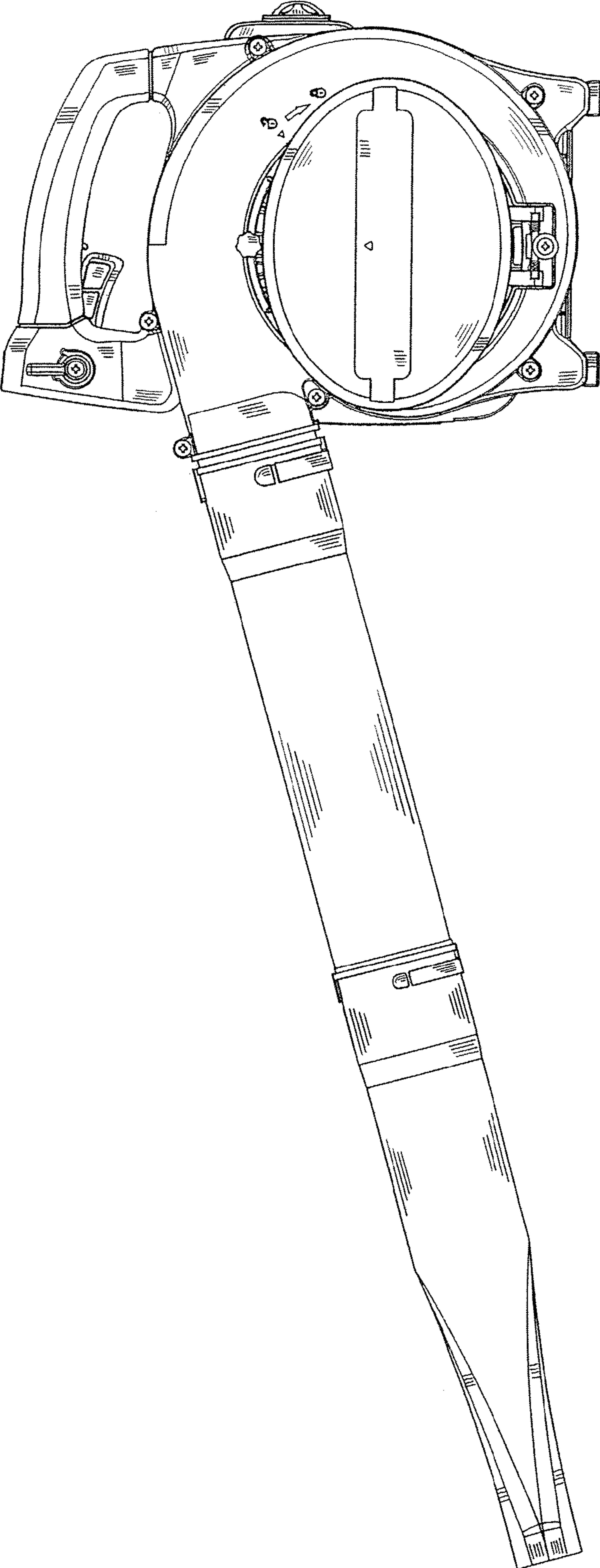


Fig.1

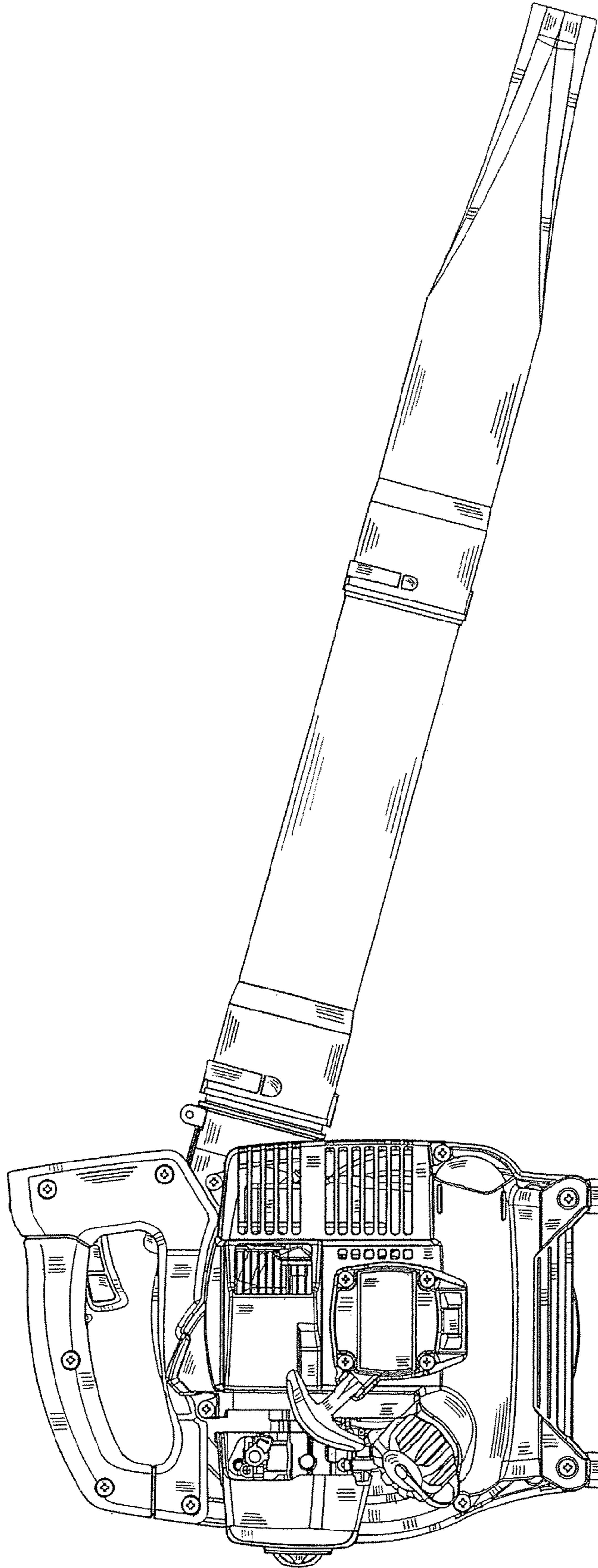


Fig. 2

Fig.3

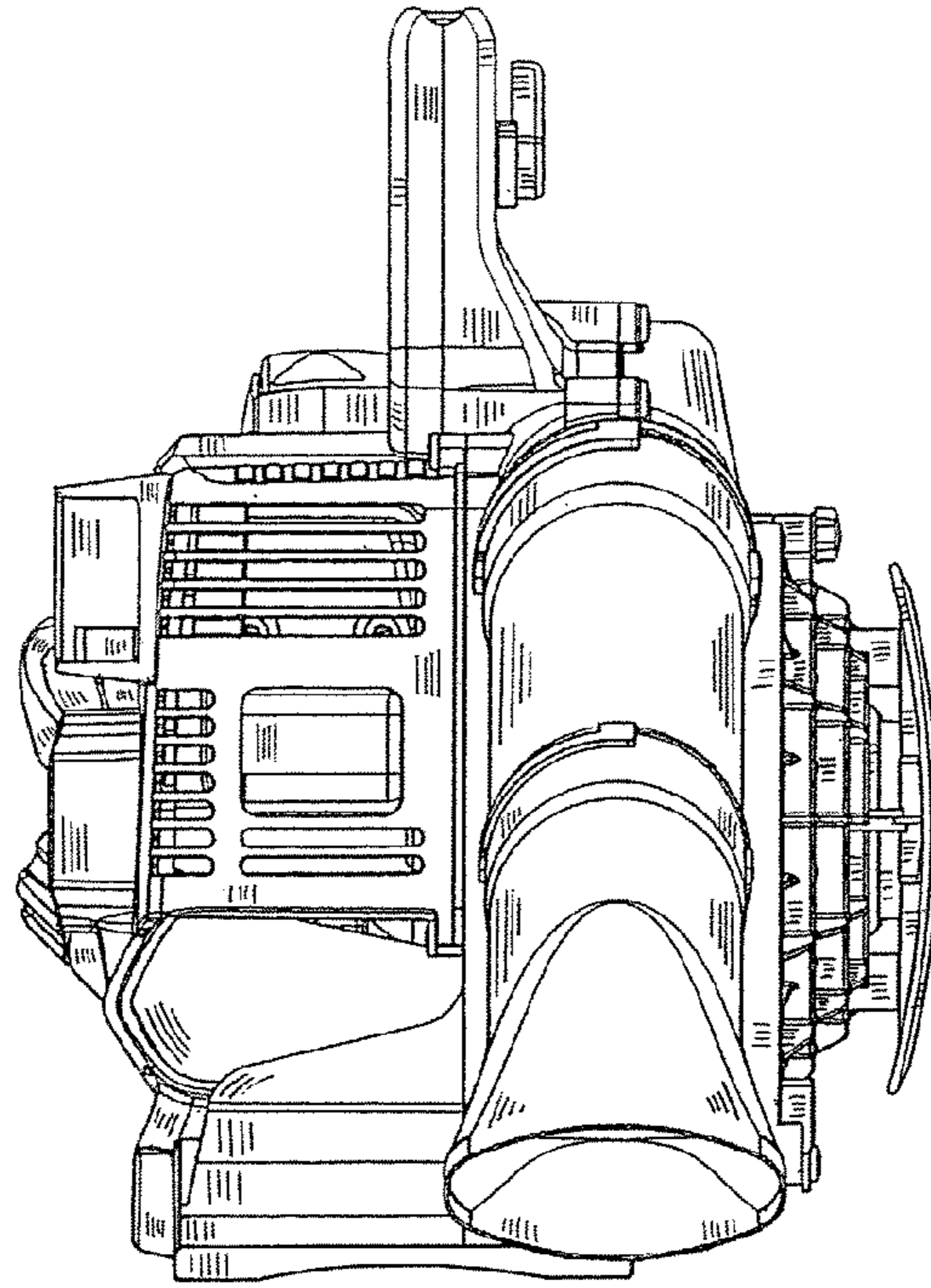
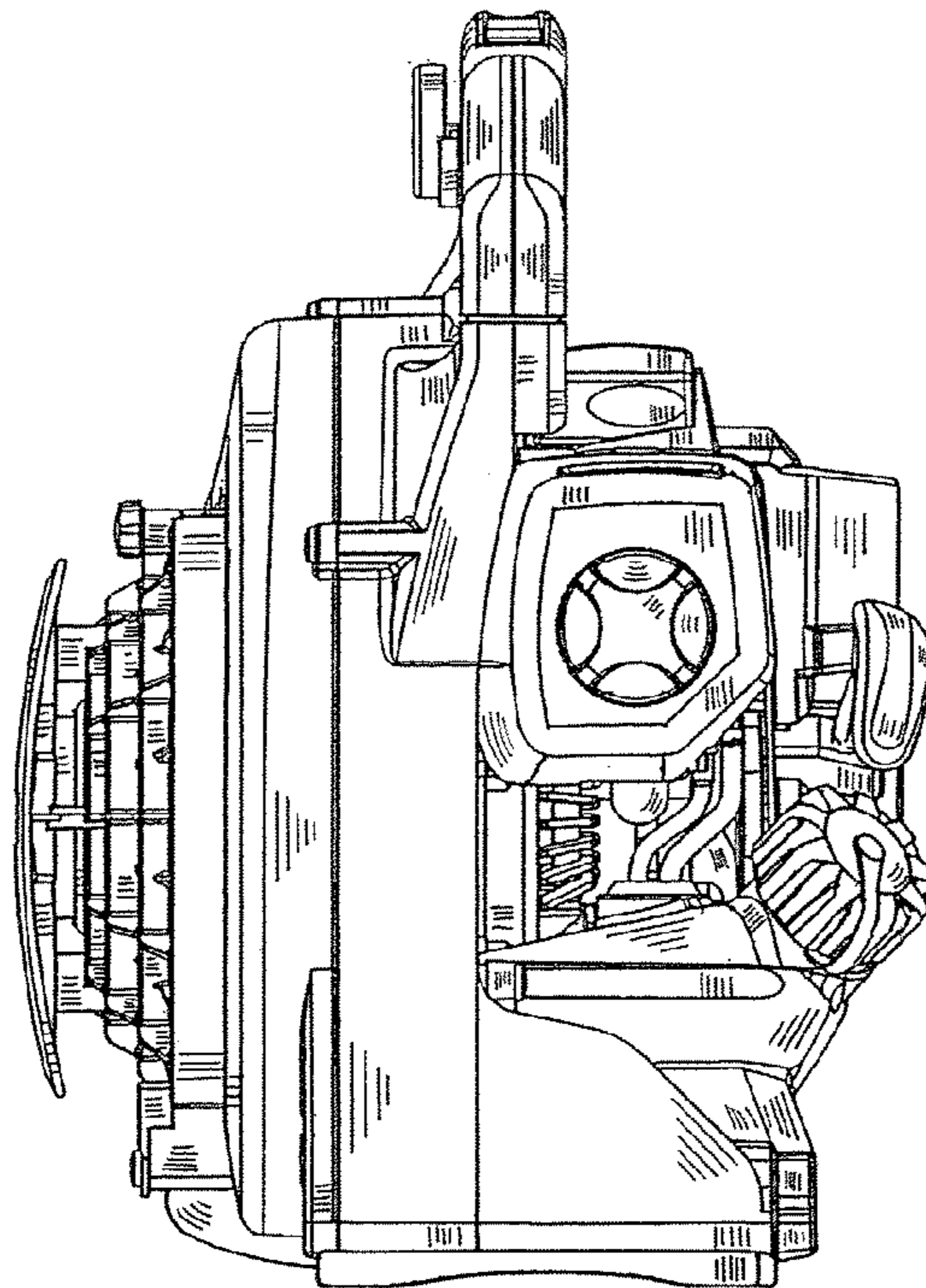


Fig.4



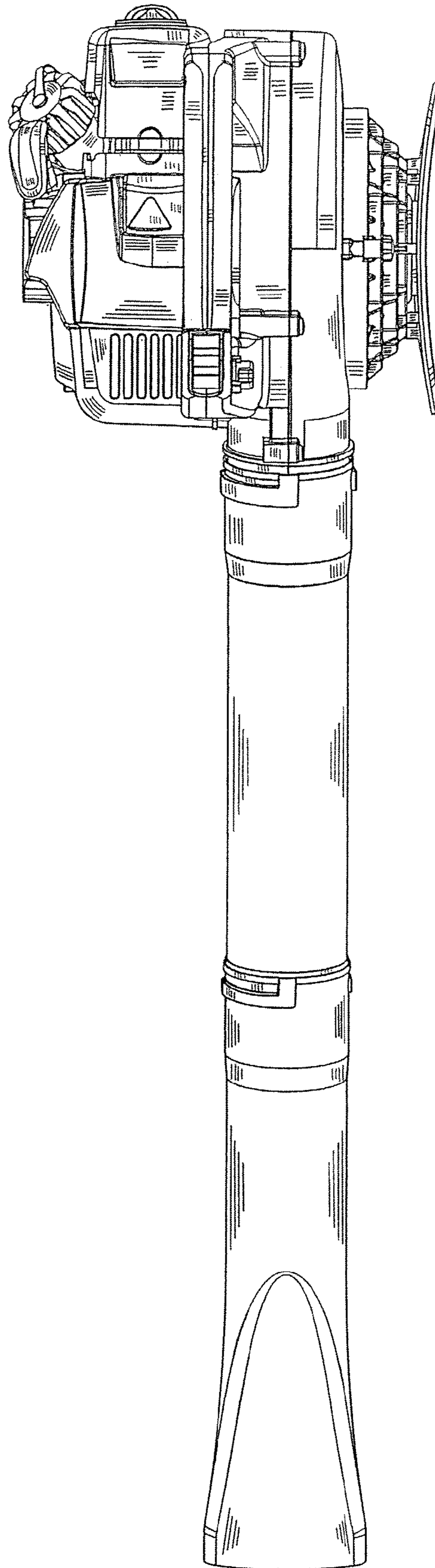


Fig. 5

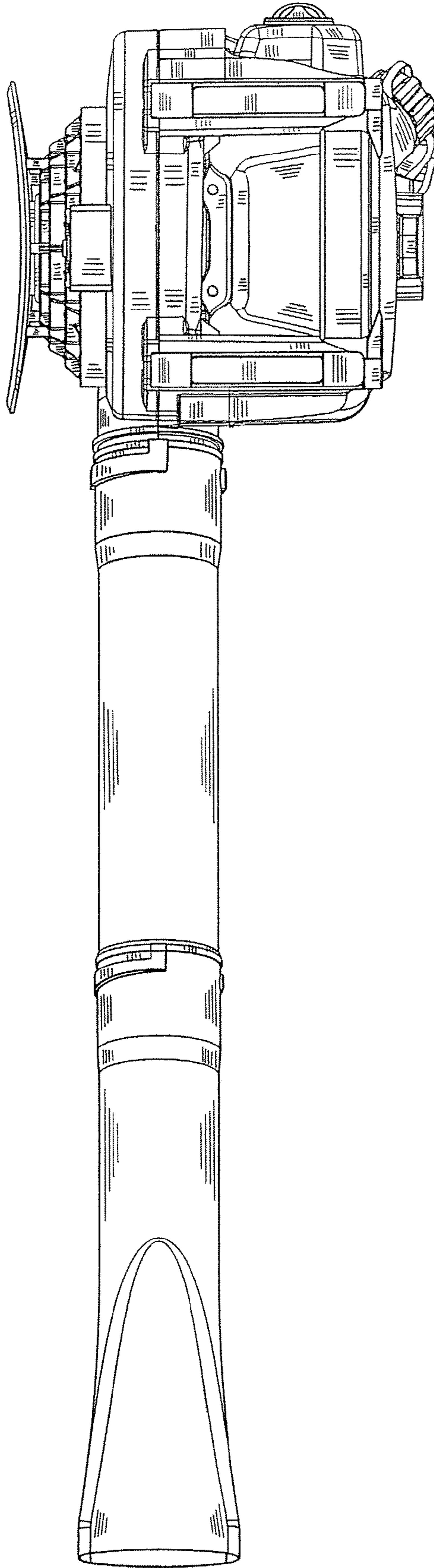


Fig.6