



US00D558938S

(12) **United States Design Patent**
Ickes

(10) **Patent No.:** **US D558,938 S**
(45) **Date of Patent:** **** Jan. 1, 2008**

(54) **APERTURED HOLLOW WAND FOR BLOWING WATER OFF SURFACES**

Primary Examiner—Robin V. Webster
(74) *Attorney, Agent, or Firm*—Norman B. Rainer

(76) **Inventor:** **John M. Ickes**, 4540 Macon Farms Dr., Powhatan, VA (US) 23139

(57) **CLAIM**

(**) **Term:** **14 Years**

The ornamental design for an apertured hollow wand for blowing water off surfaces, as shown and described.

(21) **Appl. No.:** **29/260,927**

(22) **Filed:** **Jun. 5, 2006**

(51) **LOC (8) Cl.** **15-05**

DESCRIPTION

(52) **U.S. Cl.** **D32/15; D32/4; D23/213**

(58) **Field of Classification Search** D32/4, D32/15; D23/213, 223; 15/405, 316.1
See application file for complete search history.

FIG. 1 is a side view of an apertured hollow wand for blowing water off surfaces showing my new design and shown in operative association with a blower and automobile, both shown in phantom outline and not part of the present invention;

(56) **References Cited**

U.S. PATENT DOCUMENTS

3,116,019	A *	12/1963	Graef	239/542
4,587,688	A *	5/1986	Gougoulas	15/316.1
D320,294	S *	9/1991	Miner	D32/15
6,003,199	A *	12/1999	Shaffer	15/405
6,079,640	A *	6/2000	Merritts	239/532
D441,049	S *	4/2001	Cavanaugh	D23/213
6,929,209	B2 *	8/2005	Baumgarten	242/377

FIG. 2 is an enlarged perspective side and bottom view thereof;

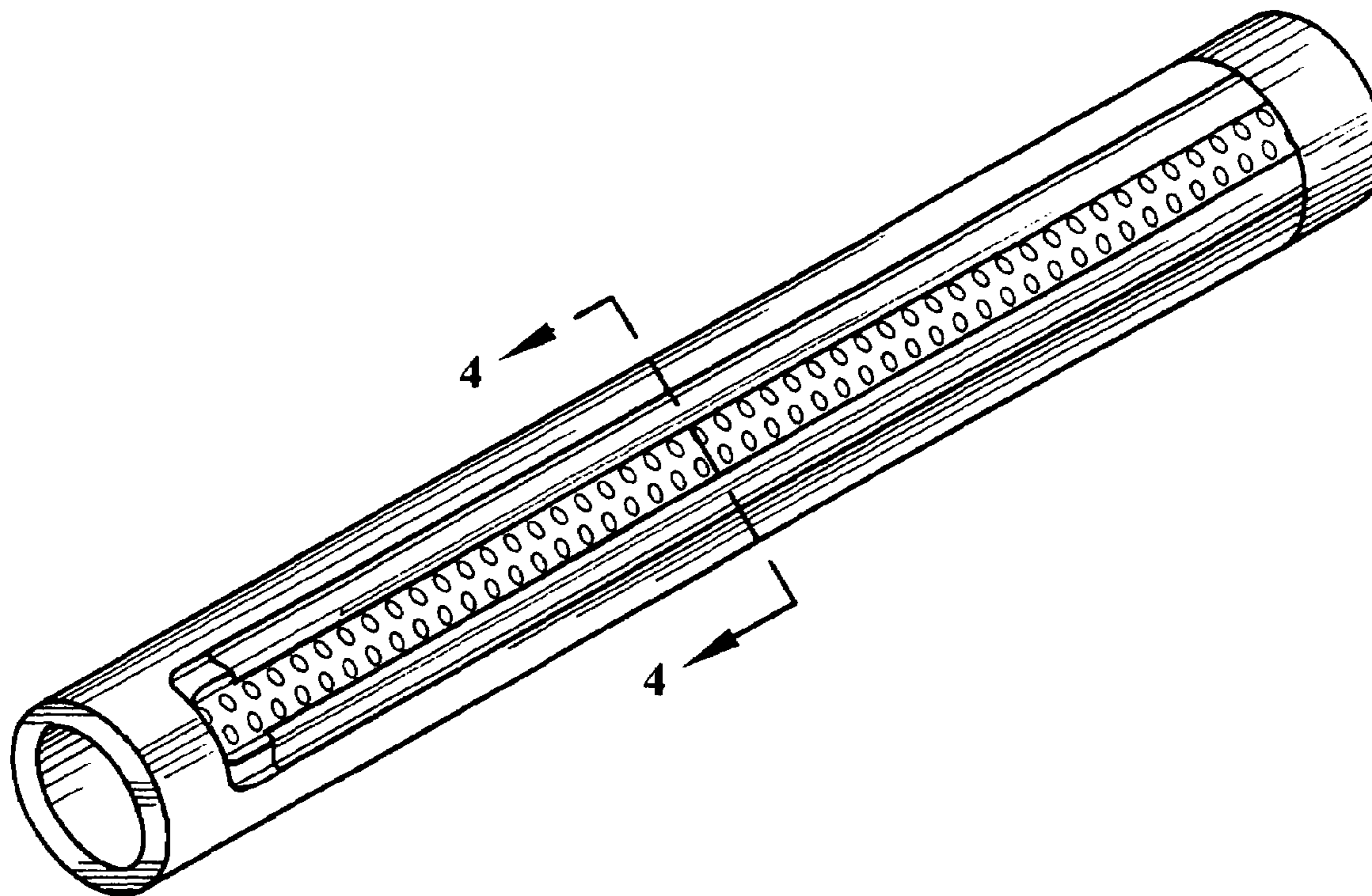
FIG. 3 is an end view thereof, taken from the left of FIG. 1;

FIG. 4 is a sectional view thereof taken in the direction of the arrows upon the line 4—4 of FIG. 4; and,

FIG. 5 is a bottom view thereof.

* cited by examiner

1 Claim, 2 Drawing Sheets



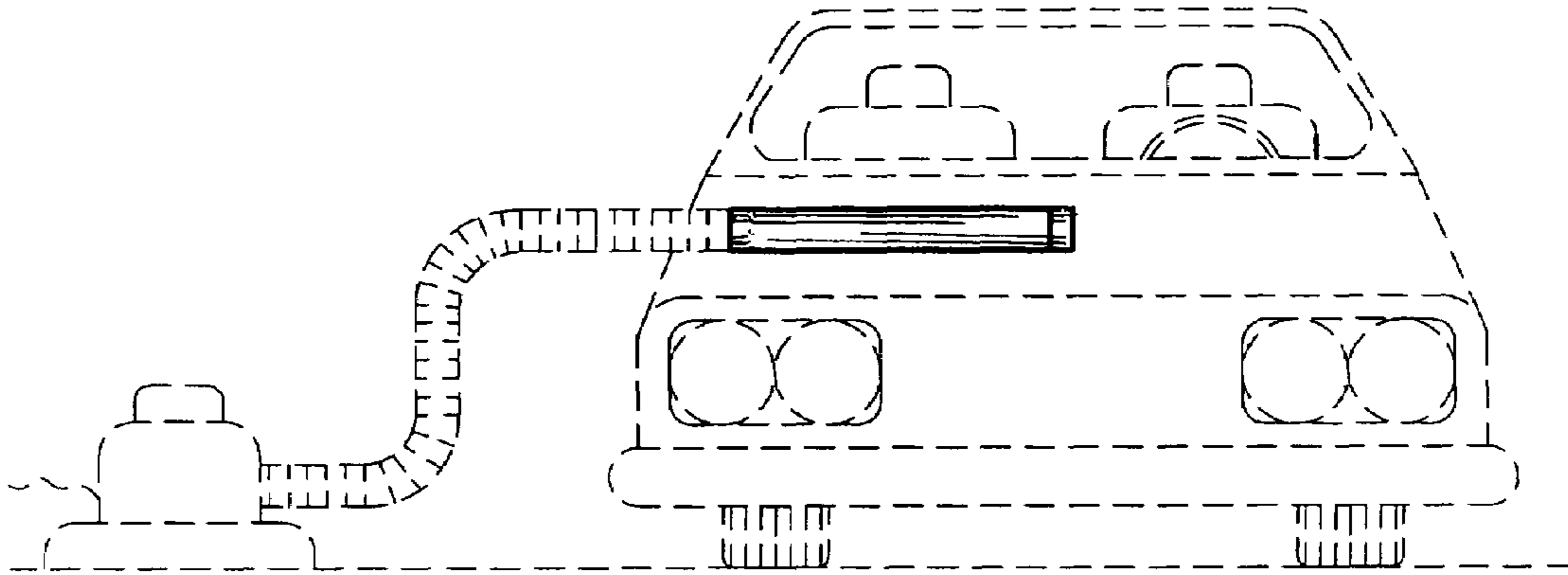


FIG. 1

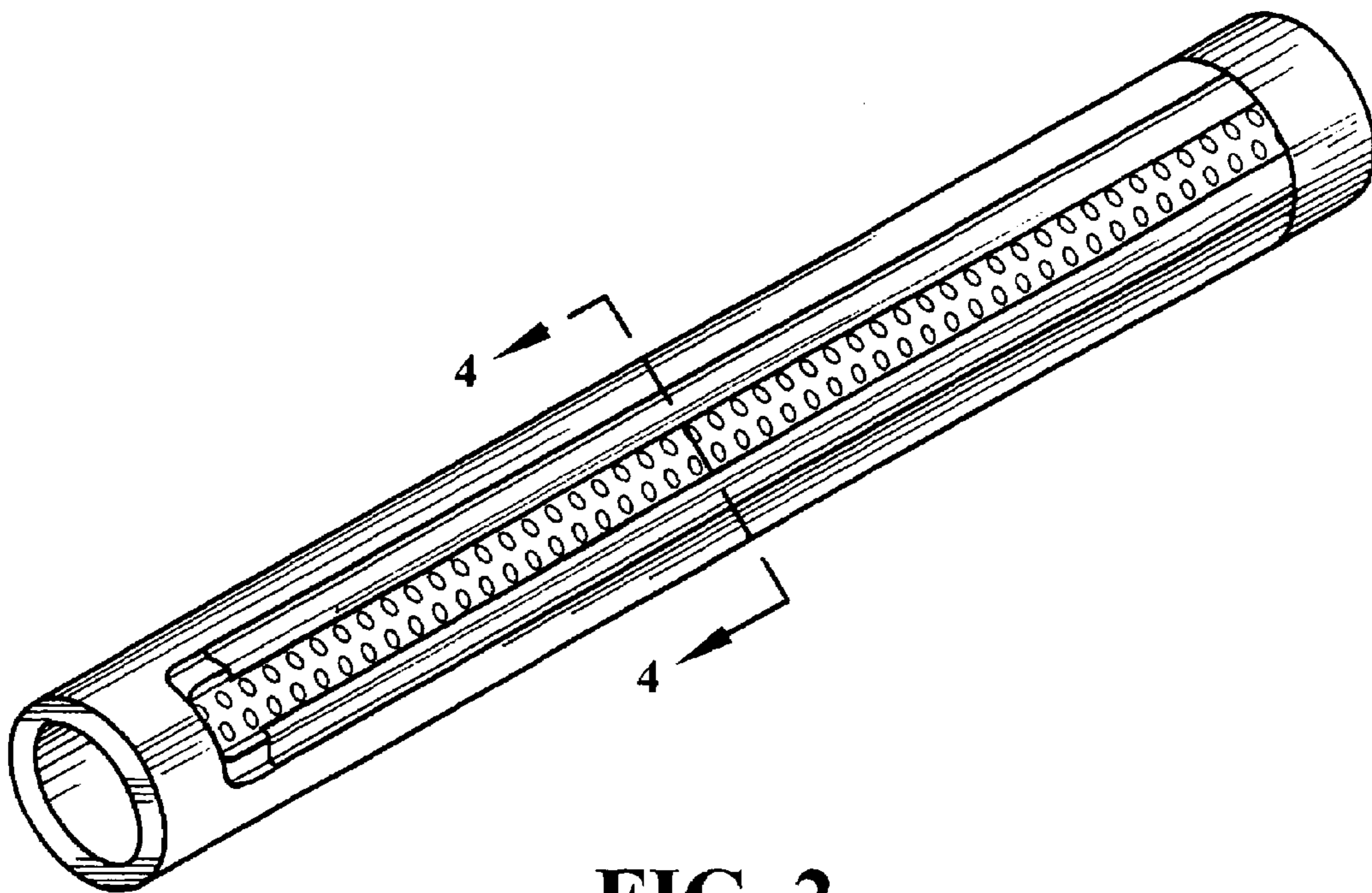


FIG. 2

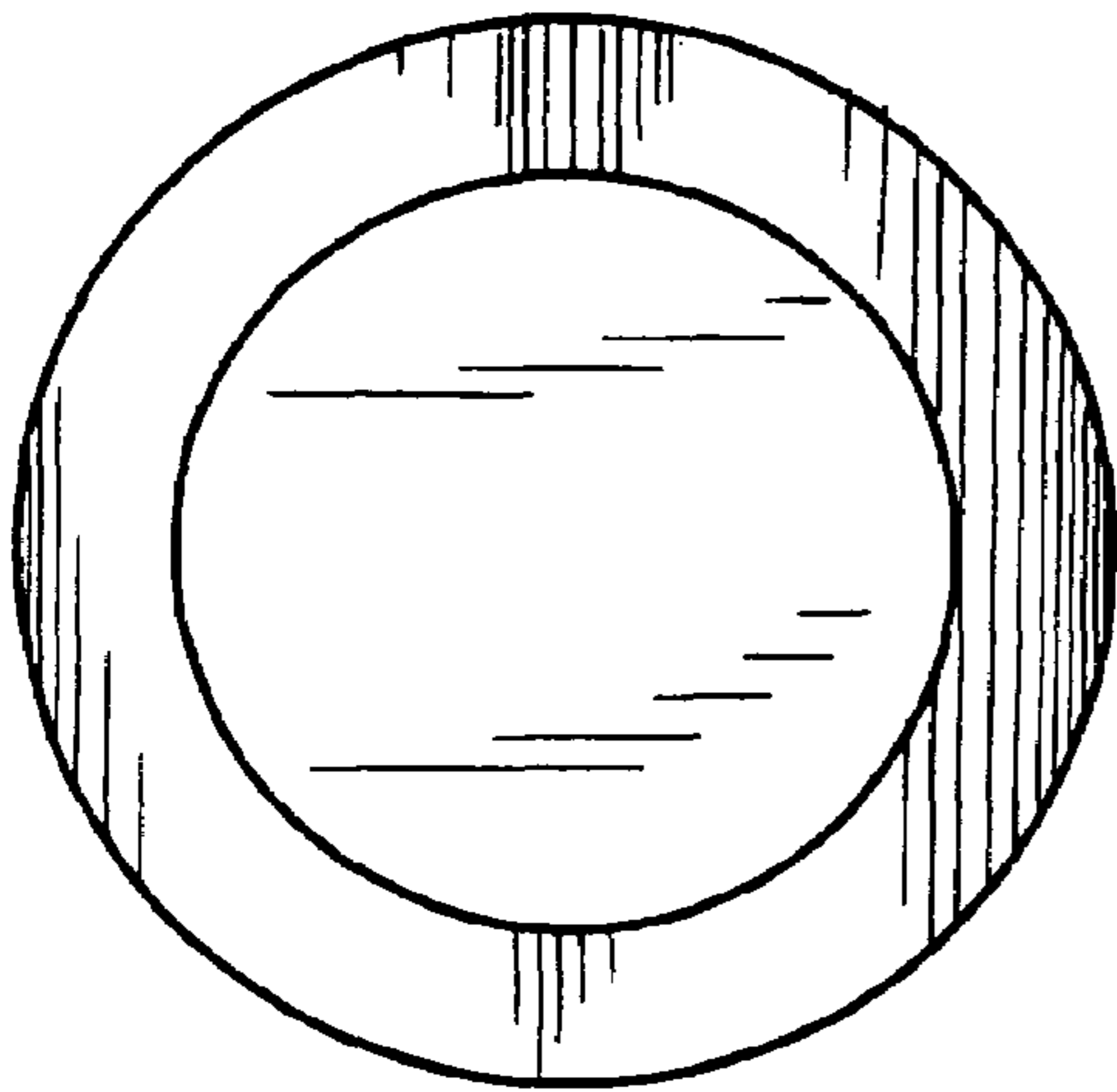


FIG. 3

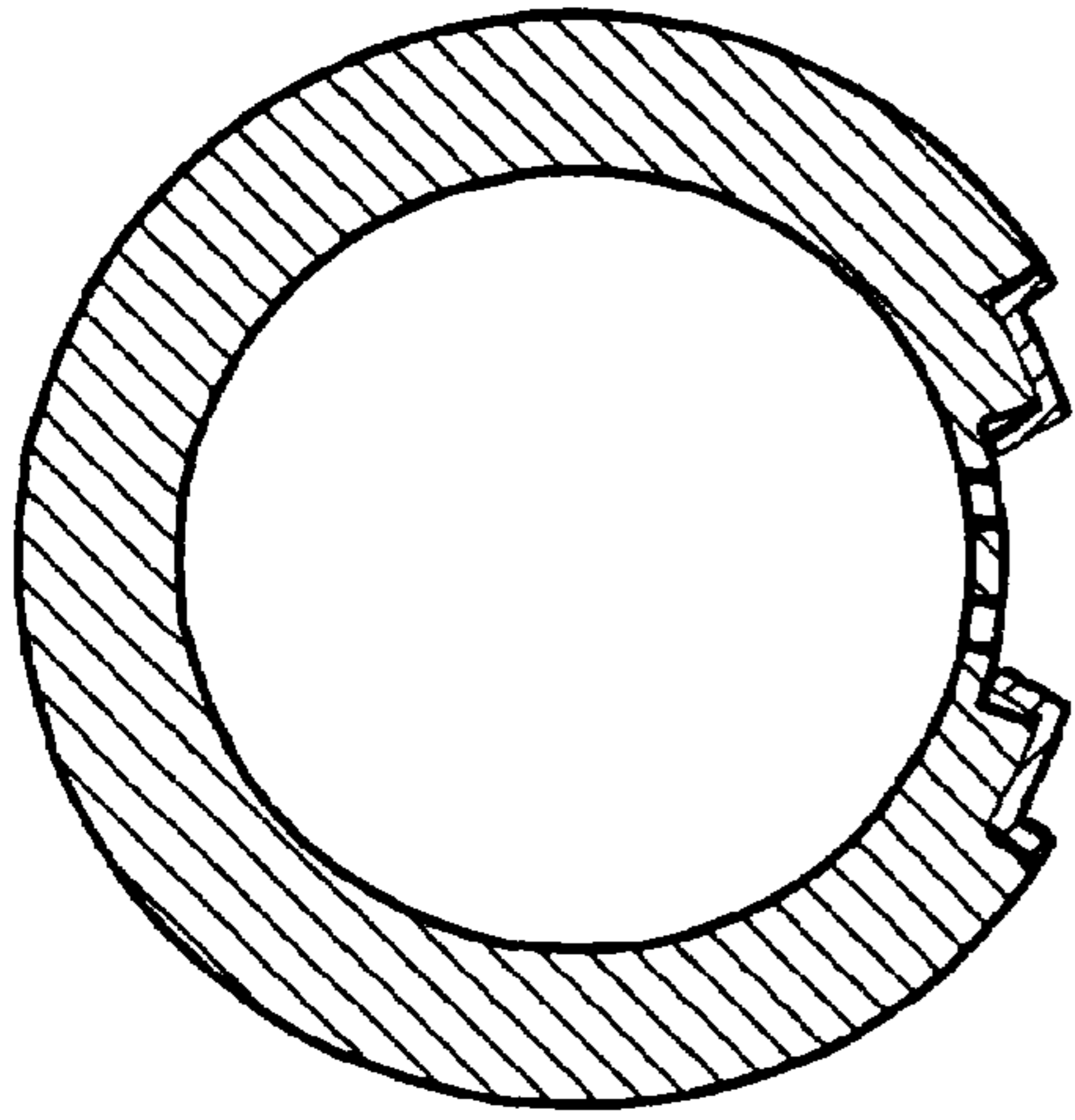


FIG. 4

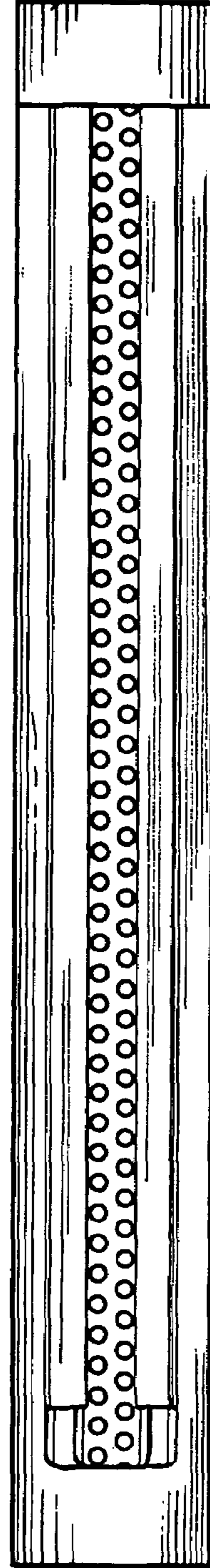


FIG. 5