

US00D558937S

(12) **United States Design Patent** (10) **Patent No.:** **US D558,937 S**  
**Gibis et al.** (45) **Date of Patent:** **\*\* Jan. 1, 2008**

(54) **DISHWASHER CAGE**

(56) **References Cited**

(75) Inventors: **Karl-Ludwig Gibis**, Ludwigshafen (DE); **Chris Efstathios Housmekerides**, Ludwigshafen (DE); **Rainer Link**, Ludwigshafen (DE); **Markus Schilling**, Ludwigshafen (DE)

U.S. PATENT DOCUMENTS

D352,578 S \* 11/1994 Mooney et al. .... D32/3  
5,603,431 A \* 2/1997 Tuller ..... 222/63  
D393,333 S \* 4/1998 Kibler et al. .... D32/3  
D487,601 S \* 3/2004 Gibis et al. .... D32/3  
D490,945 S \* 6/2004 Gomez et al. .... D32/3

(73) Assignee: **Reckitt Benckiser N.V.**, Hoofddorp (NL)

\* cited by examiner

(\*\*) Term: **14 Years**

*Primary Examiner*—Louis S. Zarfes  
(74) *Attorney, Agent, or Firm*—Norris McLaughlin & Marcus, PA

(21) Appl. No.: **29/209,192**

(22) Filed: **Jul. 12, 2004**

(57) **CLAIM**

(30) **Foreign Application Priority Data**

The ornamental design for a dishwasher cage, as shown and described.

Jan. 14, 2004 (EM) ..... 125695

**DESCRIPTION**

(51) **LOC (8) Cl.** ..... **15-05**

FIG. 1 is a perspective view of the front of the dishwasher cage;

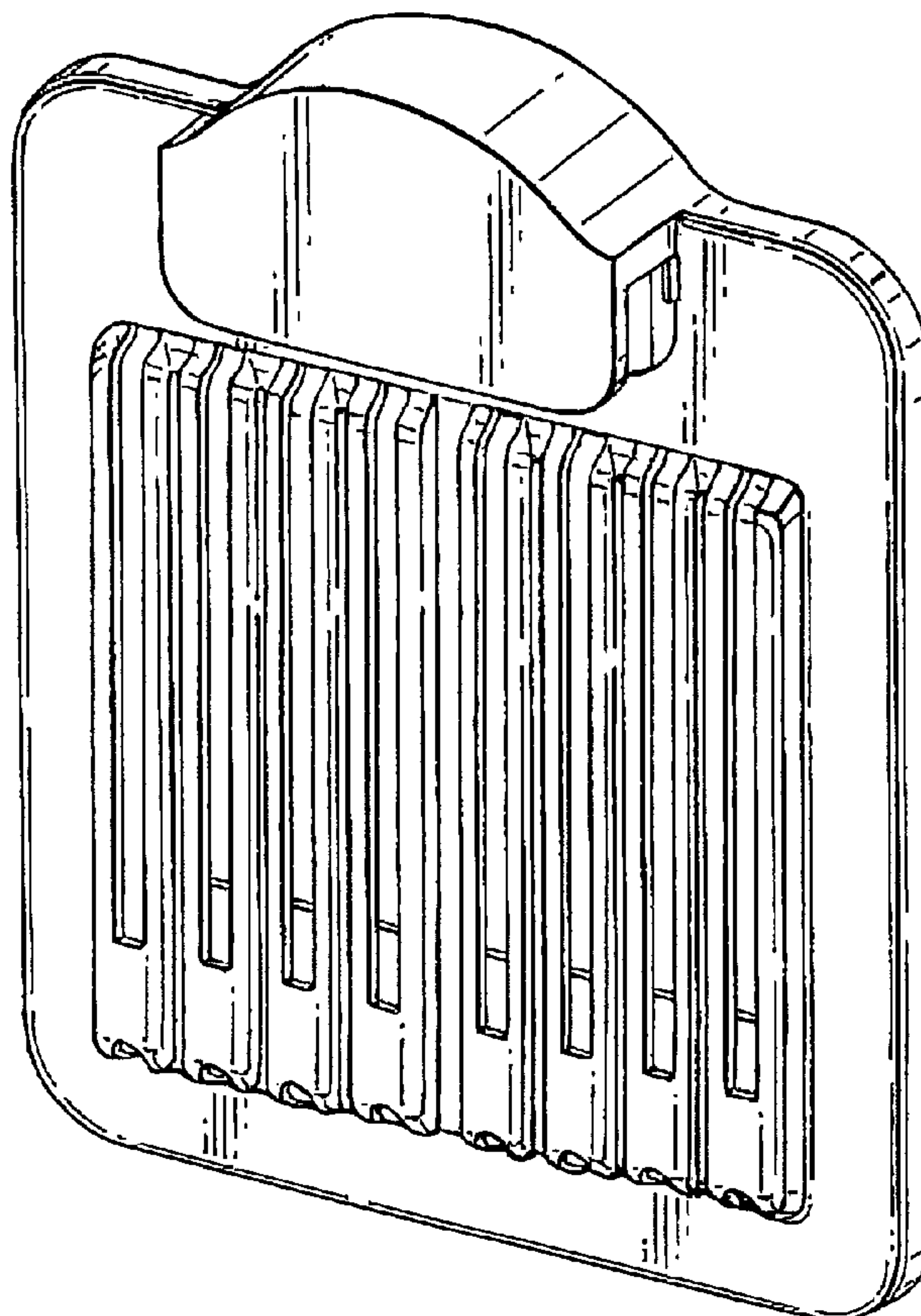
(52) **U.S. Cl.** ..... **D32/3**

FIG. 2 is a plan view of the rear thereof;  
FIG. 3 is a plan view of a side thereof; and,  
FIG. 4 is a plan view of the bottom thereof.

(58) **Field of Classification Search** ..... 211/41.8,  
211/41.9; 220/487, 555, 488; D3/305, 311,  
D3/314; D32/2, 3, 30; 68/17 R; 222/153.01,  
222/153.04

See application file for complete search history.

**1 Claim, 2 Drawing Sheets**



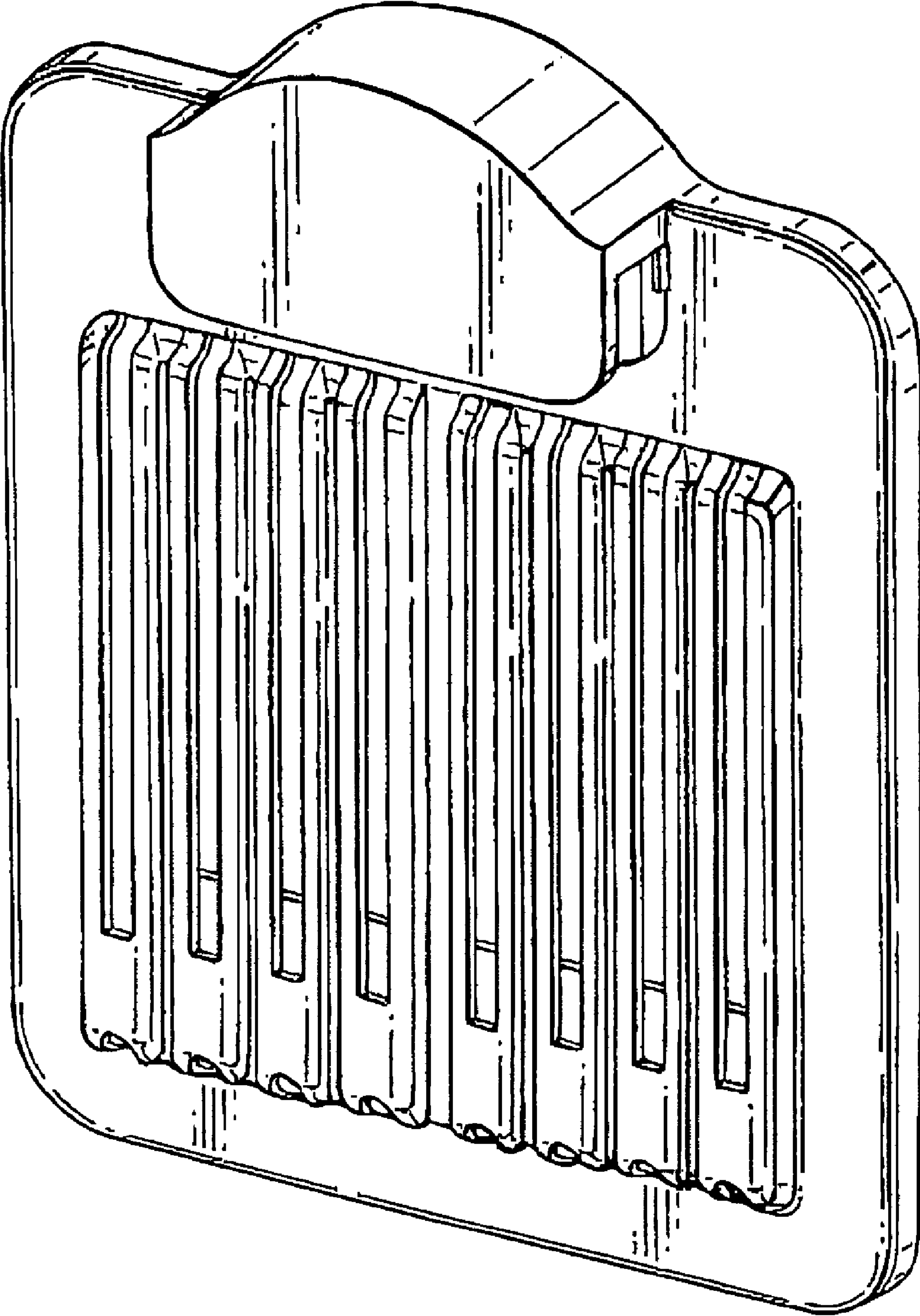


Fig. 1.

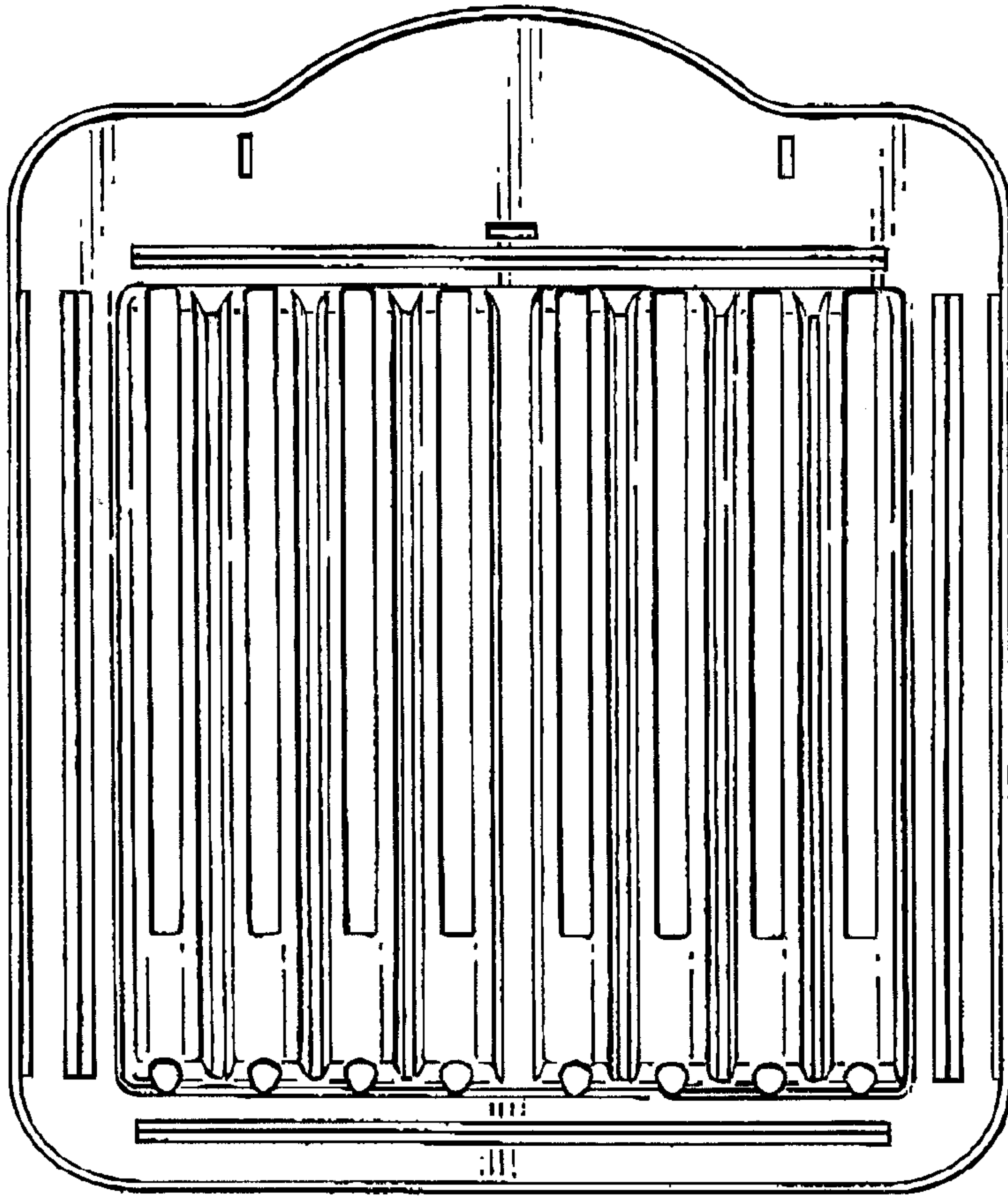


Fig. 2.

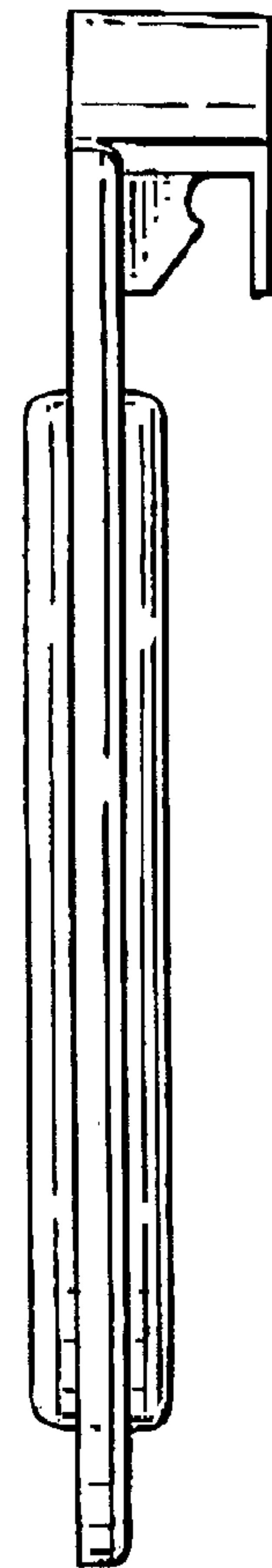


Fig. 3.

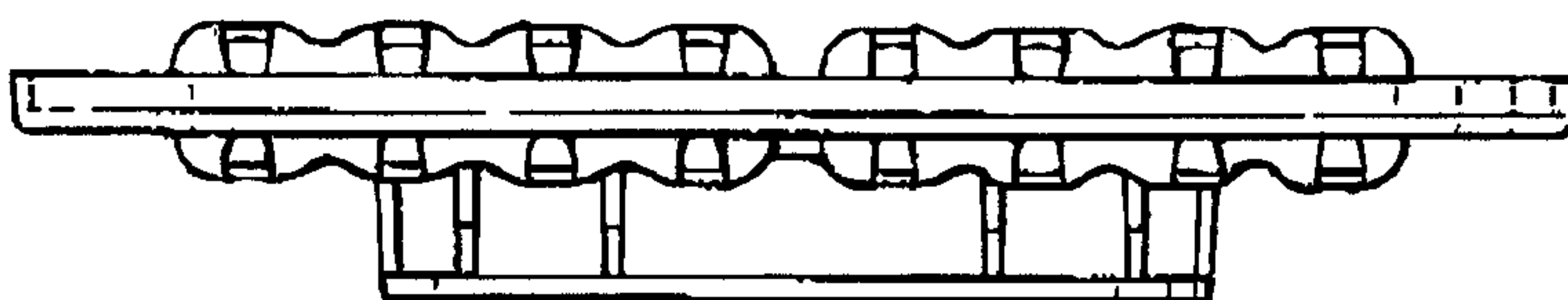


Fig. 4.