



US00D558936S

(12) **United States Design Patent**
Tamura et al.

(10) **Patent No.:** **US D558,936 S**
(45) **Date of Patent:** **** Jan. 1, 2008**

(54) **EXERCISE EQUIPMENT FOR PETS**

6,722,316 B1 * 4/2004 Joycey et al. 119/700
6,837,186 B1 * 1/2005 Terao 119/700

(75) Inventors: **Yuji Tamura**, Tokyo (JP); **Misao Yamanaka**, Tokyo (JP)

FOREIGN PATENT DOCUMENTS

(73) Assignee: **Konami Sports & Life Co., Ltd.**, Tokyo (JP)

JP 2003-116394 4/2003

(**) Term: **14 Years**

OTHER PUBLICATIONS

(21) Appl. No.: **29/271,456**

<http://www.pawwws.com/>; Copyright 2005-2006; Pawwws Pet Treadmills.*

(22) Filed: **Jan. 19, 2007**

* cited by examiner

(30) **Foreign Application Priority Data**

Primary Examiner—Cathy Anne MacCormac

Jul. 26, 2006 (JP) D2006-019669

(74) *Attorney, Agent, or Firm*—Jordan and Hamburg LLP

(51) **LOC (8) Cl.** **30-99**

(57) **CLAIM**

(52) **U.S. Cl.** **D30/160**

The ornamental design for an exercise equipment for pets, as shown and described.

(58) **Field of Classification Search** D30/160;
119/700, 702-703, 706-711, 601; D21/669
See application file for complete search history.

DESCRIPTION

(56) **References Cited**

FIG. 1 is a perspective view of exercise equipment for pets;
FIG. 2 is a front view thereof, the rear view being a mirror image;

U.S. PATENT DOCUMENTS

2,155,684	A *	4/1939	Richards	119/700
4,095,561	A *	6/1978	Ruetenik	119/700
4,205,628	A *	6/1980	Null	119/700
D257,645	S *	12/1980	Ruetenik	D30/160
D259,367	S *	5/1981	Talbot	D30/160
4,374,587	A *	2/1983	Ogden	482/54
4,502,679	A *	3/1985	De Lorenzo	D30/160
4,819,583	A *	4/1989	Guerra	119/700
D333,887	S *	3/1993	Dowler	D30/160
D347,912	S *	6/1994	Golden et al.	D30/160
D350,421	S *	9/1994	Brubaker	D30/160
6,347,603	B1 *	2/2002	Felger	119/700

FIG. 3 is a left side view thereof;

FIG. 4 is a right side view thereof;

FIG. 5 is a top view thereof;

FIG. 6 is a bottom view thereof;

FIG. 7 is a front view showing a movable portion being in an alternate position; and,

FIG. 8 is a left side view of FIG. 7.

The broken lines are for illustrative purposes only and form no part of the claimed design.

1 Claim, 4 Drawing Sheets

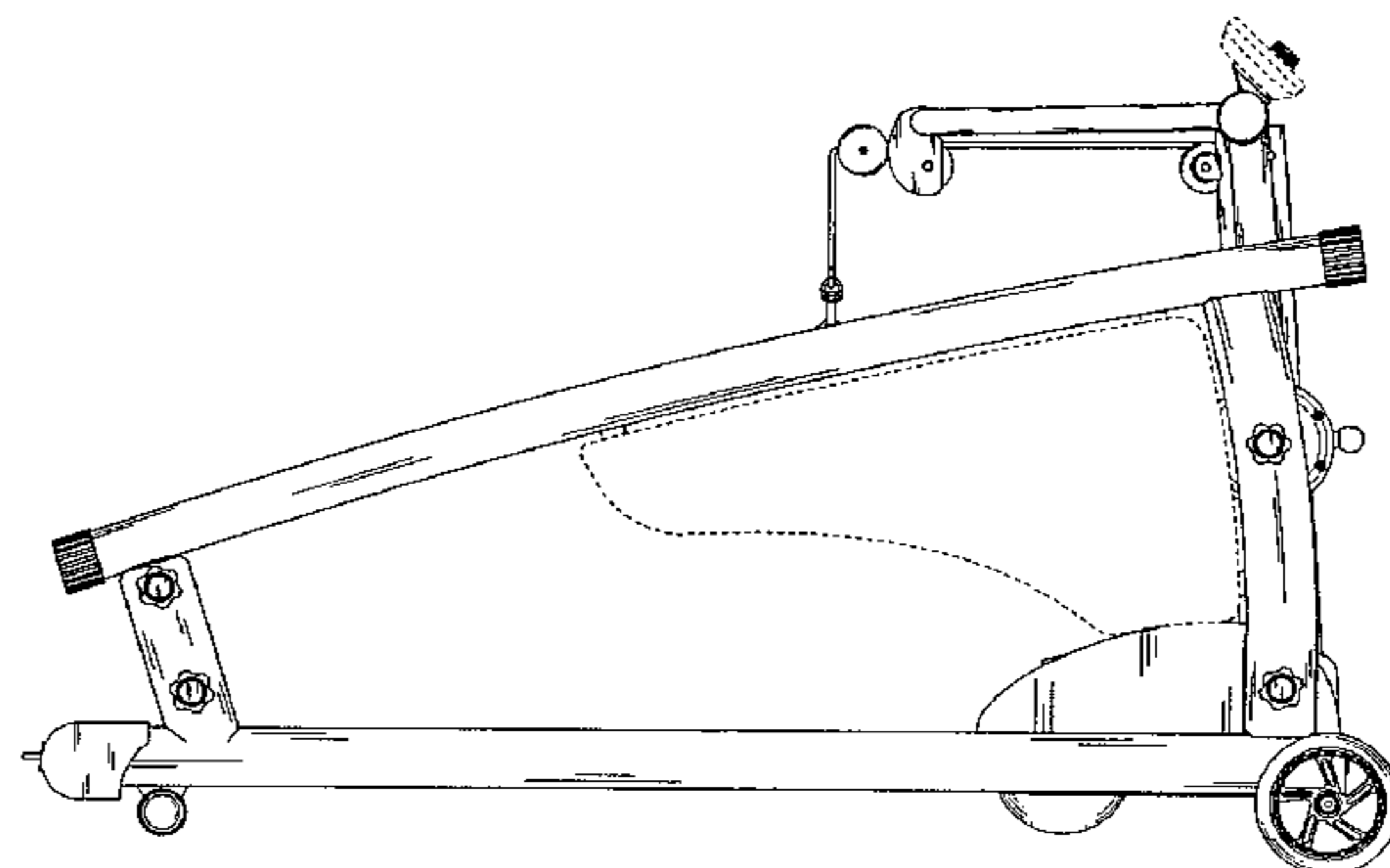
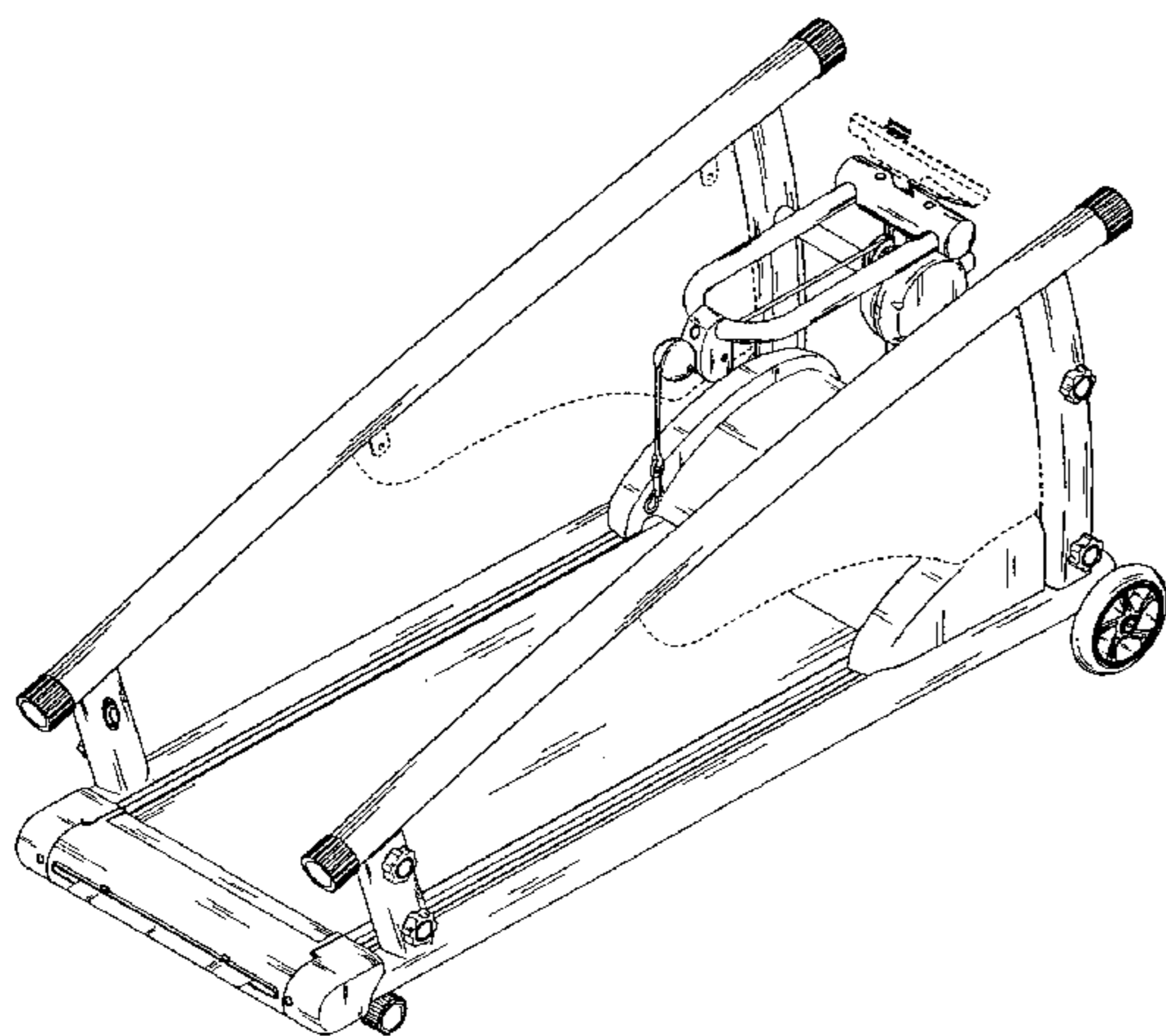


Fig.1

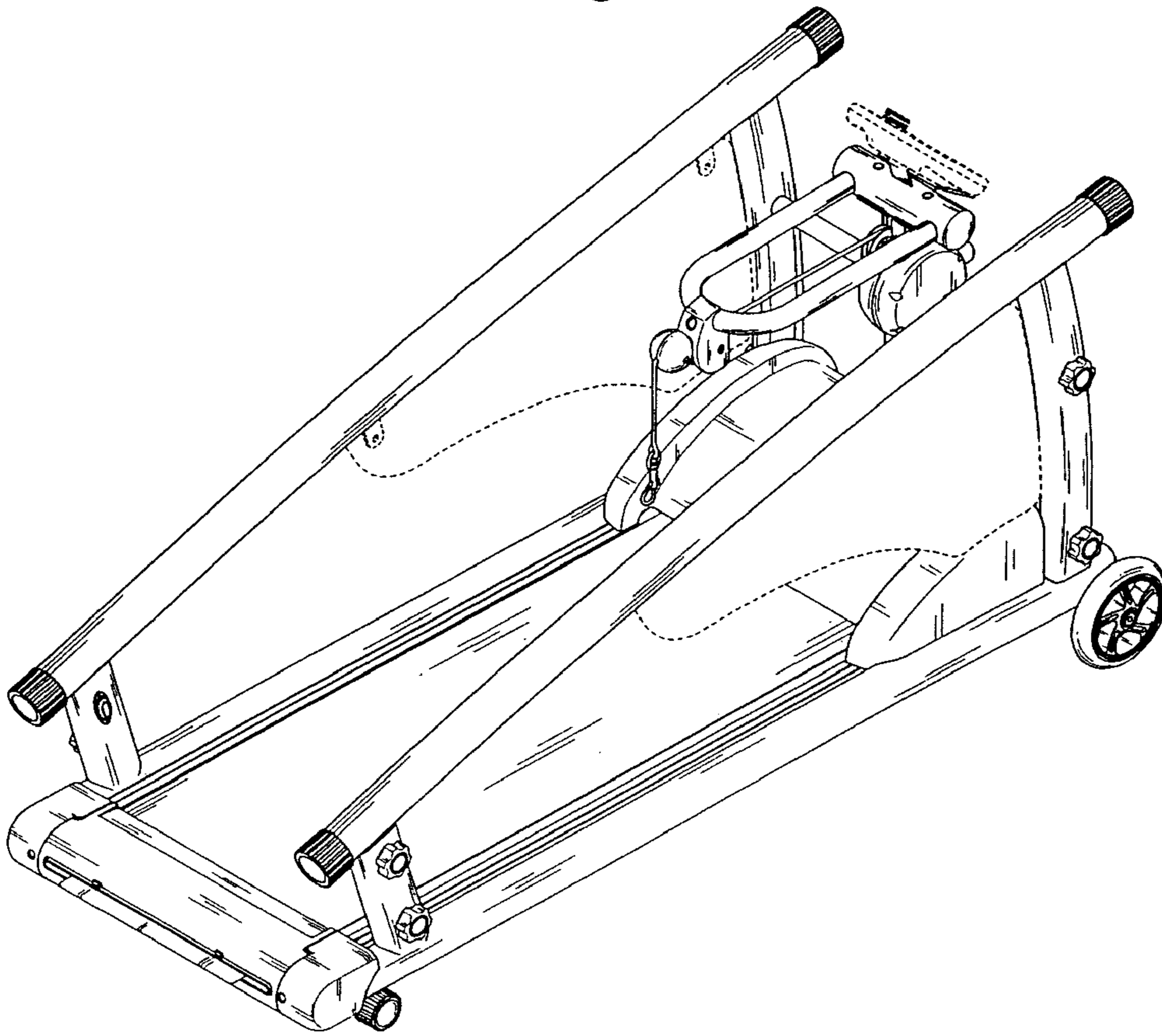


Fig.2

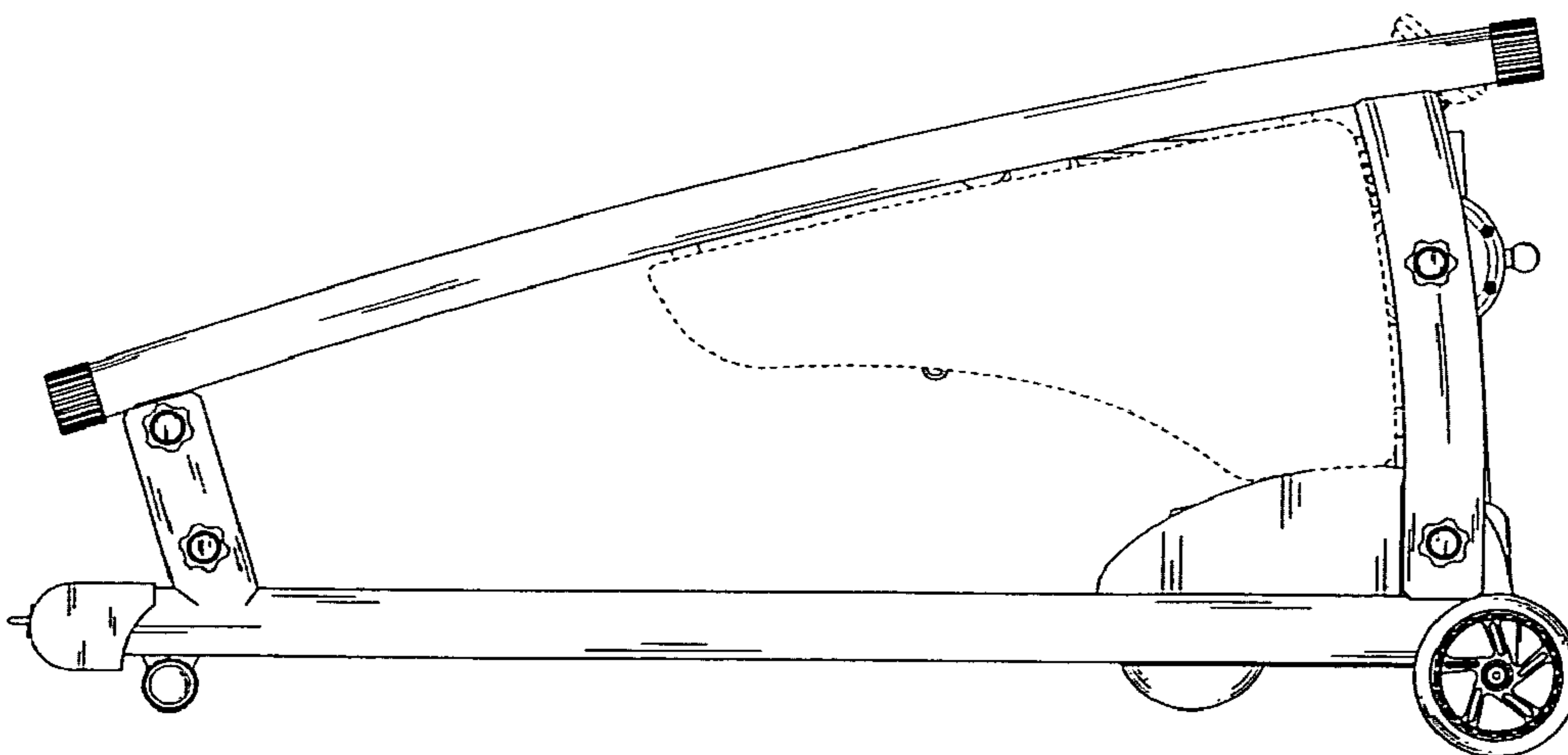


Fig.3

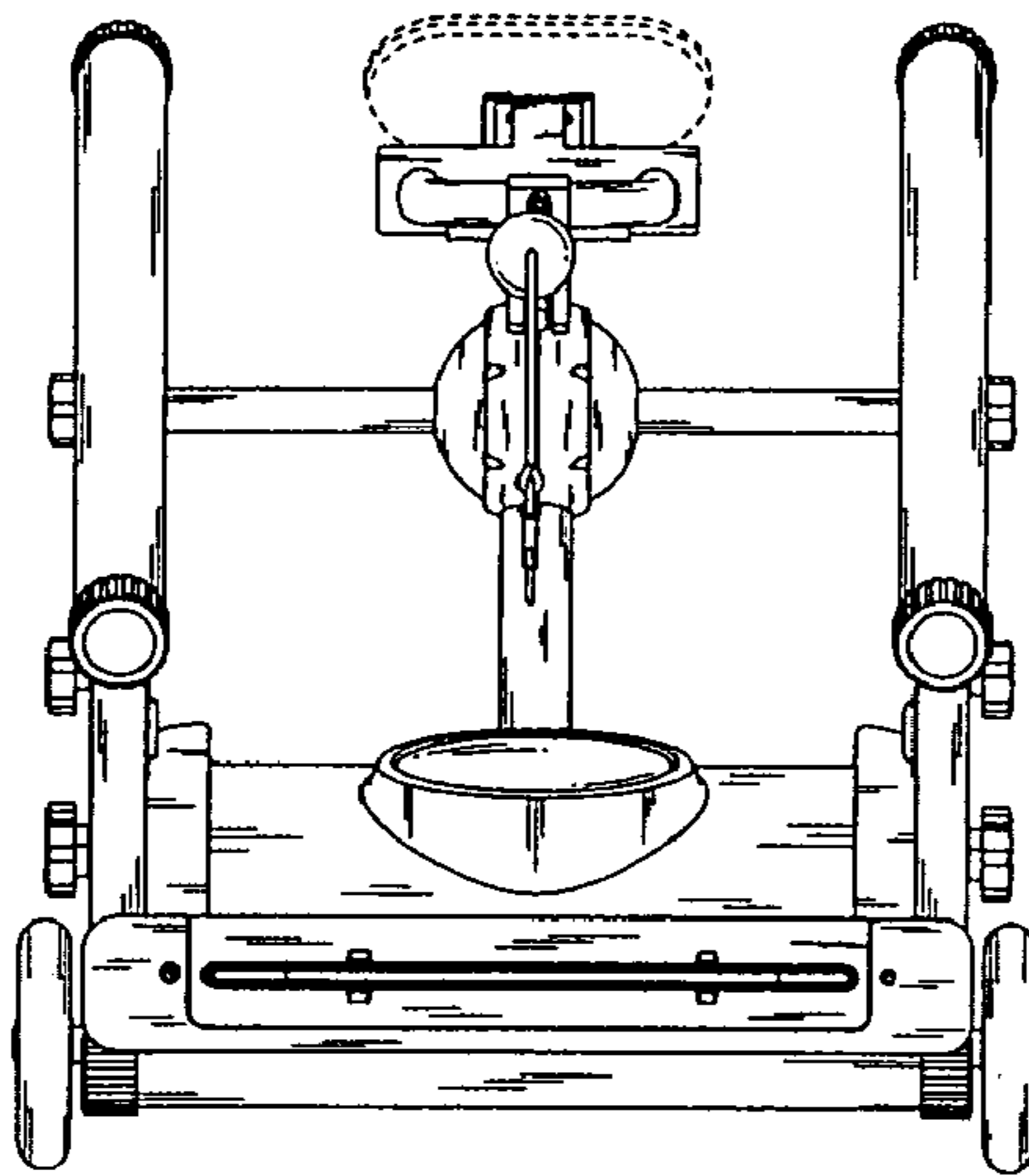


Fig.4

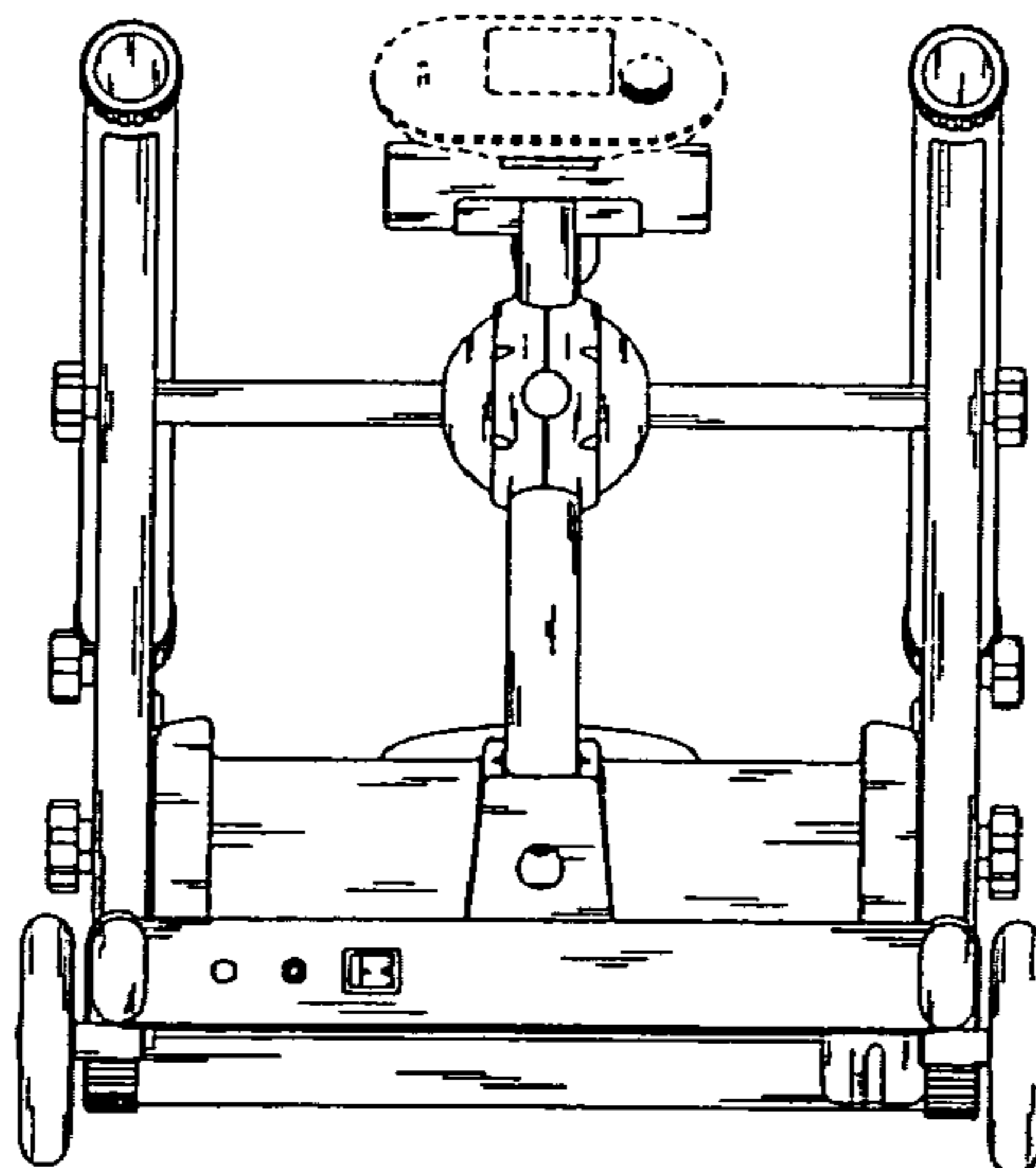


Fig.5

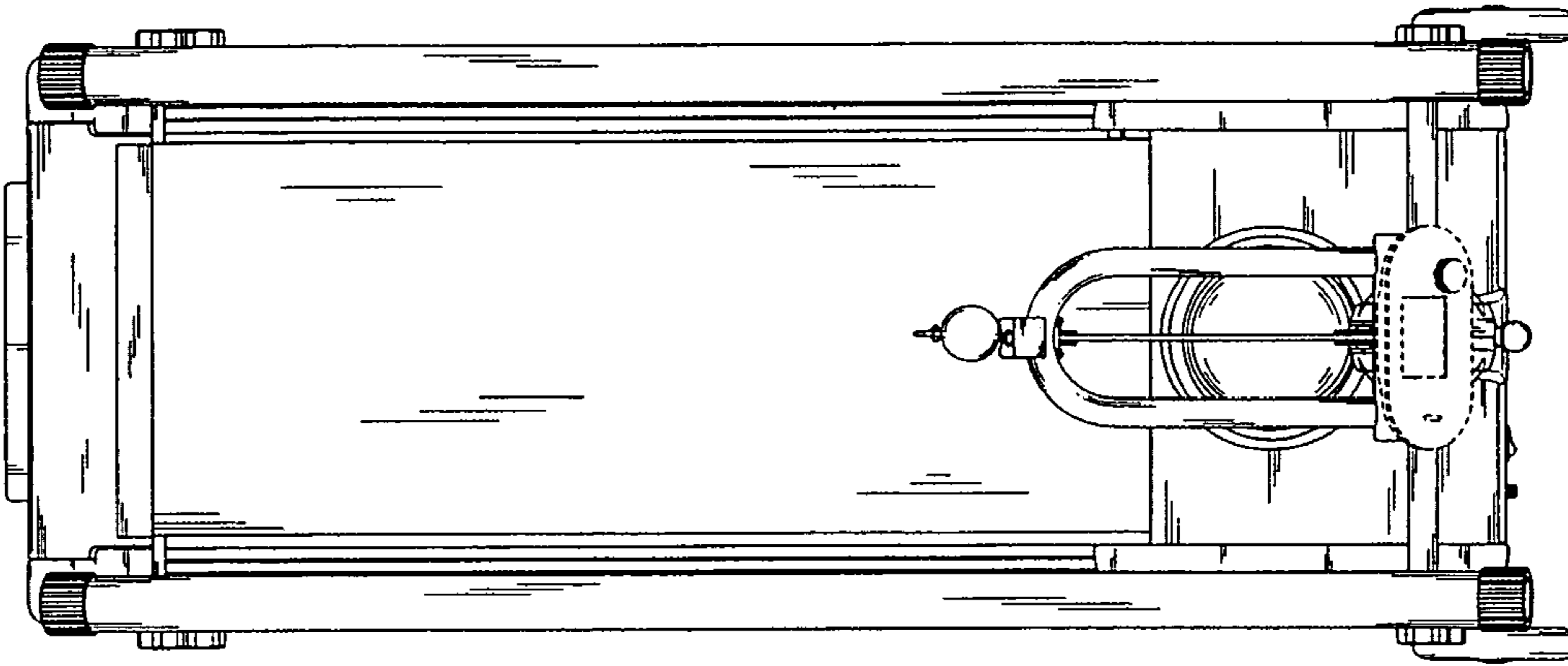


Fig.6

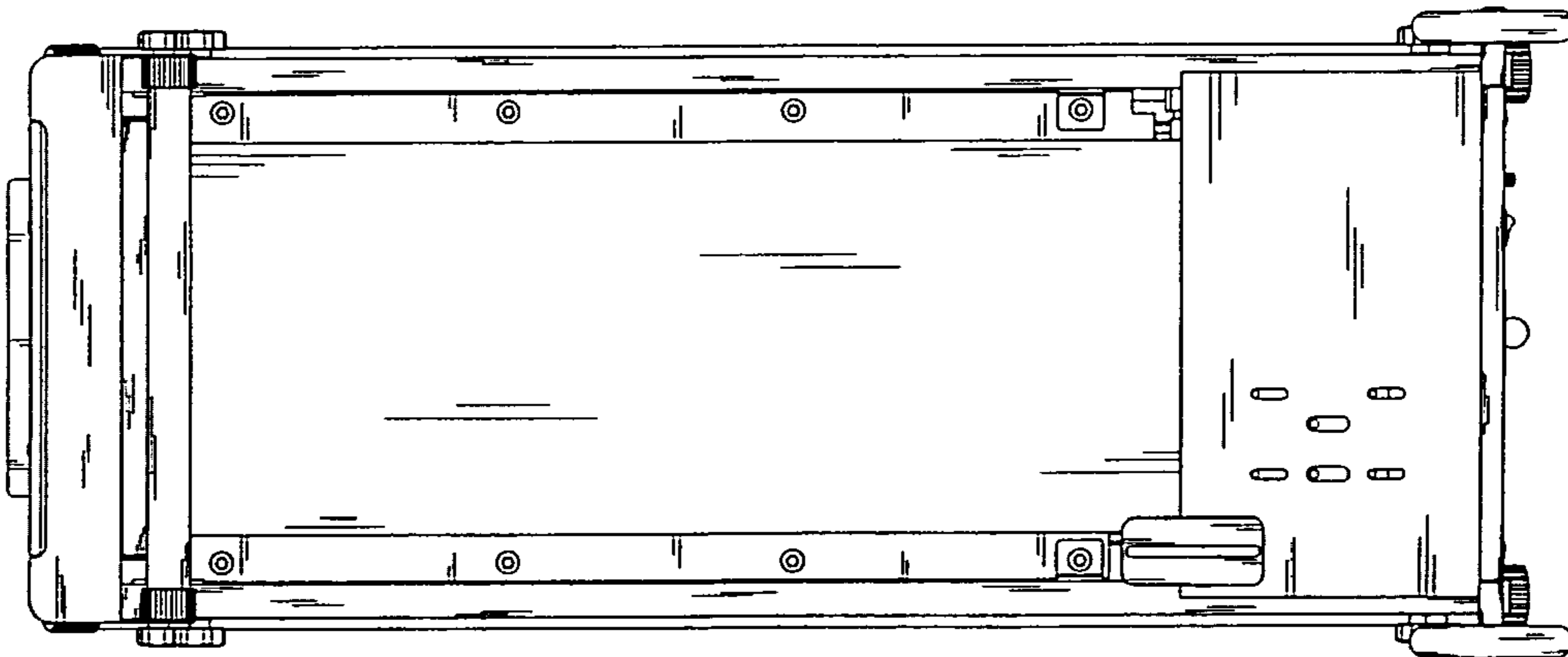


Fig.7

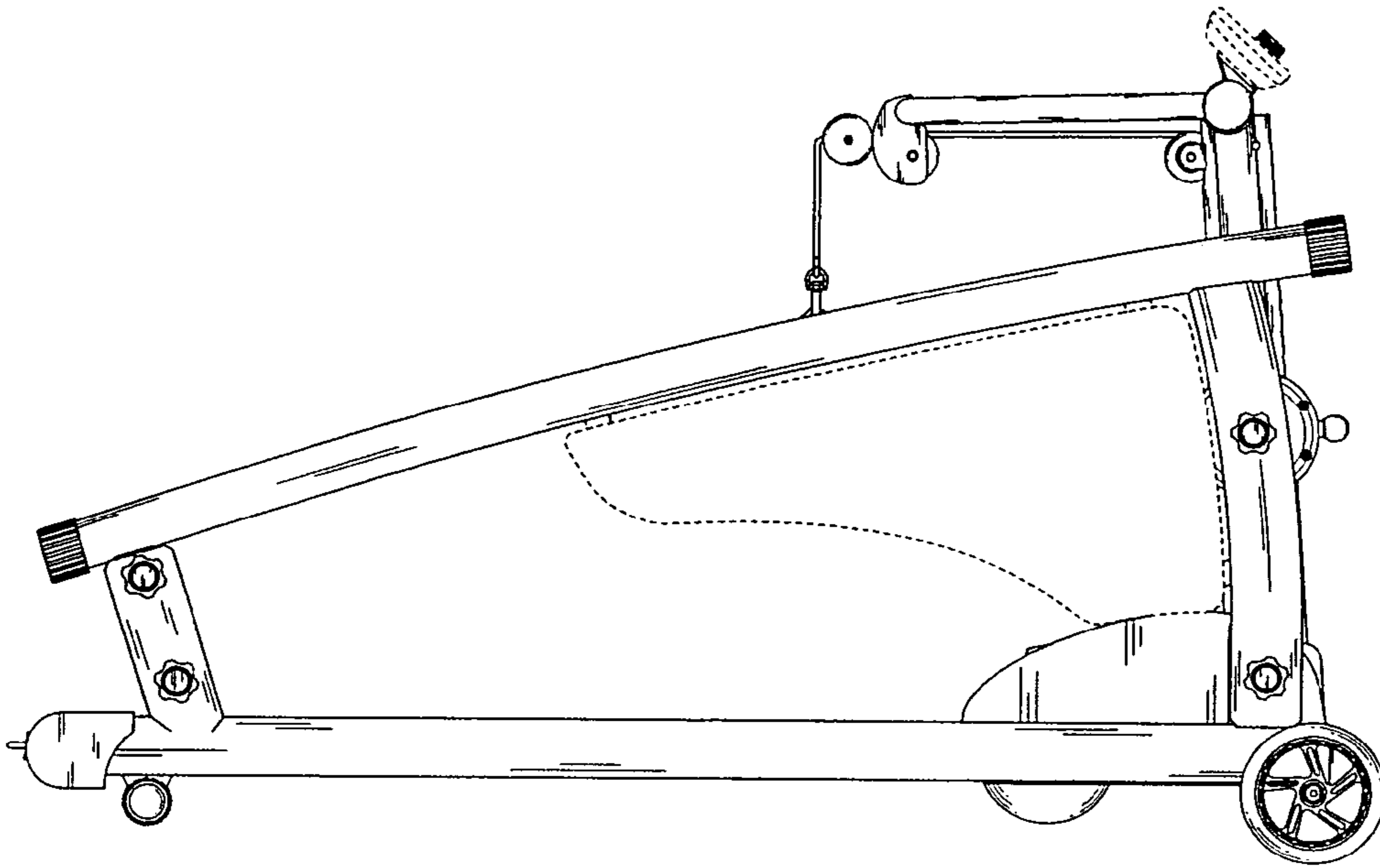


Fig.8

