



US00D558930S

(12) **United States Design Patent**
Thomas

(10) **Patent No.:** **US D558,930 S**
(45) **Date of Patent:** **** Jan. 1, 2008**

(54) **PET BED**

(76) Inventor: **Victoria Thomas**, 516 6th St.,
Struthers, OH (US) 44471

(**) Term: **14 Years**

(21) Appl. No.: **29/263,958**

(22) Filed: **Aug. 2, 2006**

(51) **LOC (8) Cl.** **30-06**

(52) **U.S. Cl.** **D30/118; D6/388**

(58) **Field of Classification Search** D30/118,
D30/161, 199; D21/520, 521; D6/331, 334,
D6/382, 390, 393-394, 596-597, 601, 604,
D6/381; 119/28.5, 161, 165, 706
See application file for complete search history.

(56) **References Cited**

U.S. PATENT DOCUMENTS

D89,044 S *	1/1933	Hallward	D6/388
D108,633 S *	3/1938	Whitehead	D6/388
D111,657 S *	10/1938	Little	D6/388
D141,009 S *	4/1945	Greenwell	D21/520
D172,960 S *	9/1954	Frazin	D30/118
D180,162 S *	4/1957	Scoggins	D6/506
3,173,398 A *	3/1965	Raymond	119/28.5
D205,216 S *	7/1966	Bell	D30/118
D252,599 S *	8/1979	Carter	D6/388
D256,734 S *	9/1980	Riley	D30/118

D264,773 S *	6/1982	Sutherland	D6/388
D292,952 S *	12/1987	Mercurio	D6/388
4,763,604 A *	8/1988	Meekins	119/28.5
D308,121 S *	5/1990	Overturf	D30/118
D316,464 S *	4/1991	Kelley	D30/118
D342,169 S *	12/1993	Boxsell	D6/388
D379,014 S *	4/1997	Woods, II	D30/118
D384,830 S *	10/1997	Daniel	D6/388
D404,215 S *	1/1999	Hohl	D6/388
D435,704 S *	12/2000	Friberg	D30/118
D436,235 S *	1/2001	Watt	D30/118
D448,891 S *	10/2001	Mirabito	D30/118
2006/0054095 A1 *	3/2006	De Gaudenzi	119/165

* cited by examiner

Primary Examiner—Cathy Anne MacCormac
(74) *Attorney, Agent, or Firm*—Harpman & Harpman

(57) **CLAIM**

The ornamental design for a pet bed, as shown and described.

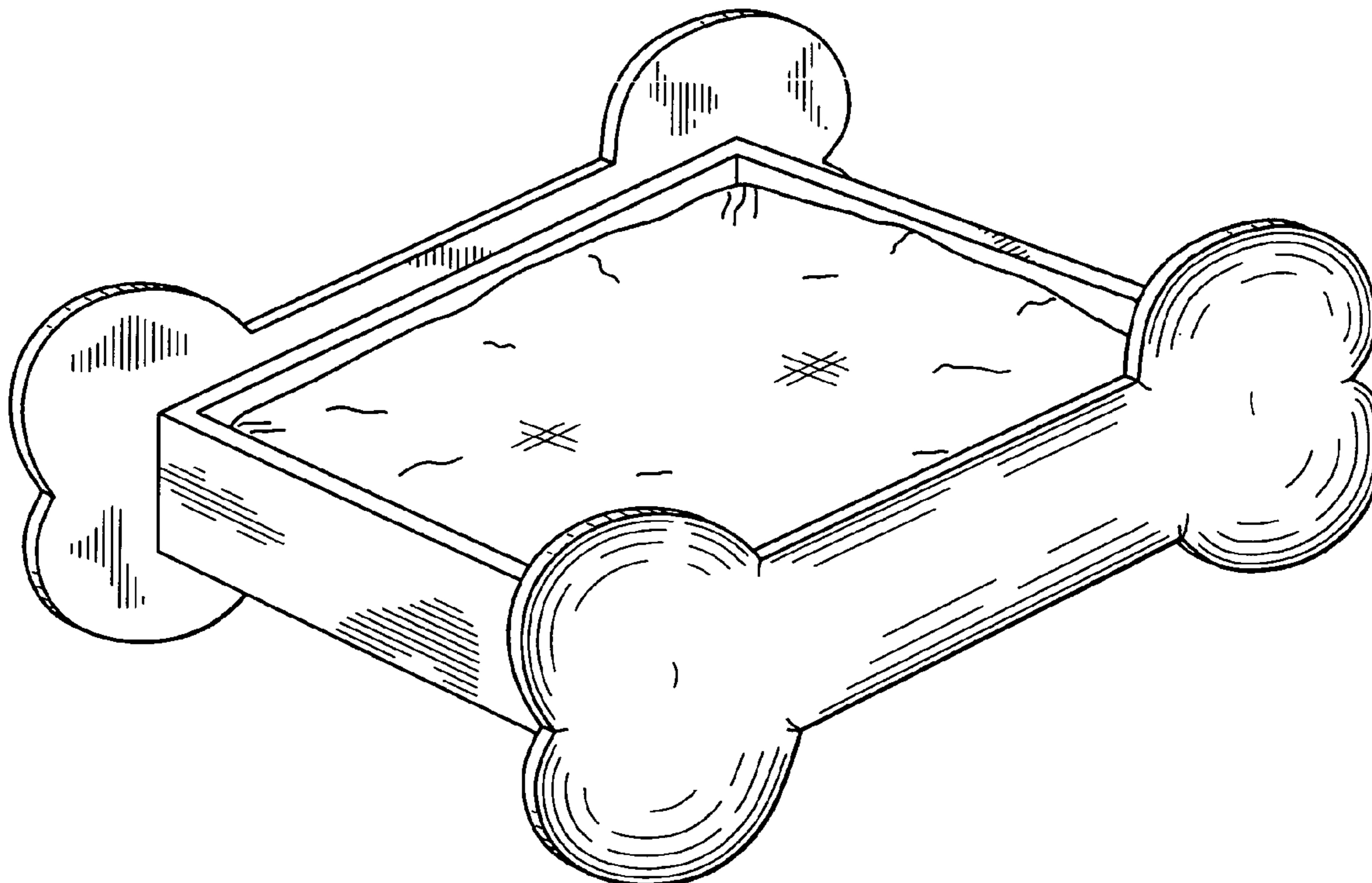
DESCRIPTION

FIG. 1 is a front and top perspective view of the pet bed of the invention;

FIG. 2 is a right side elevational view thereof; and,

FIG. 3 is a bottom plan view thereof.

1 Claim, 2 Drawing Sheets



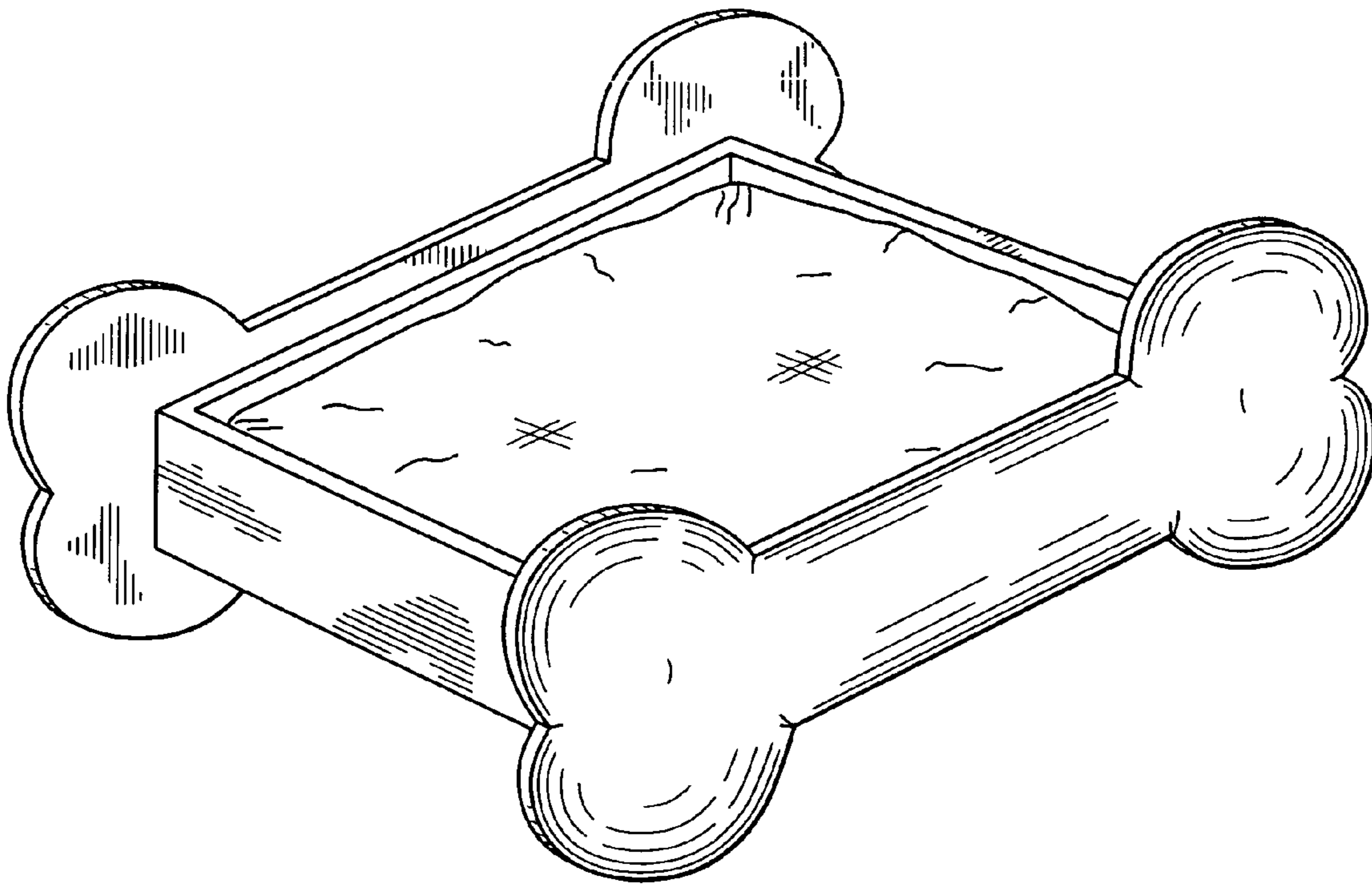


FIG. 1

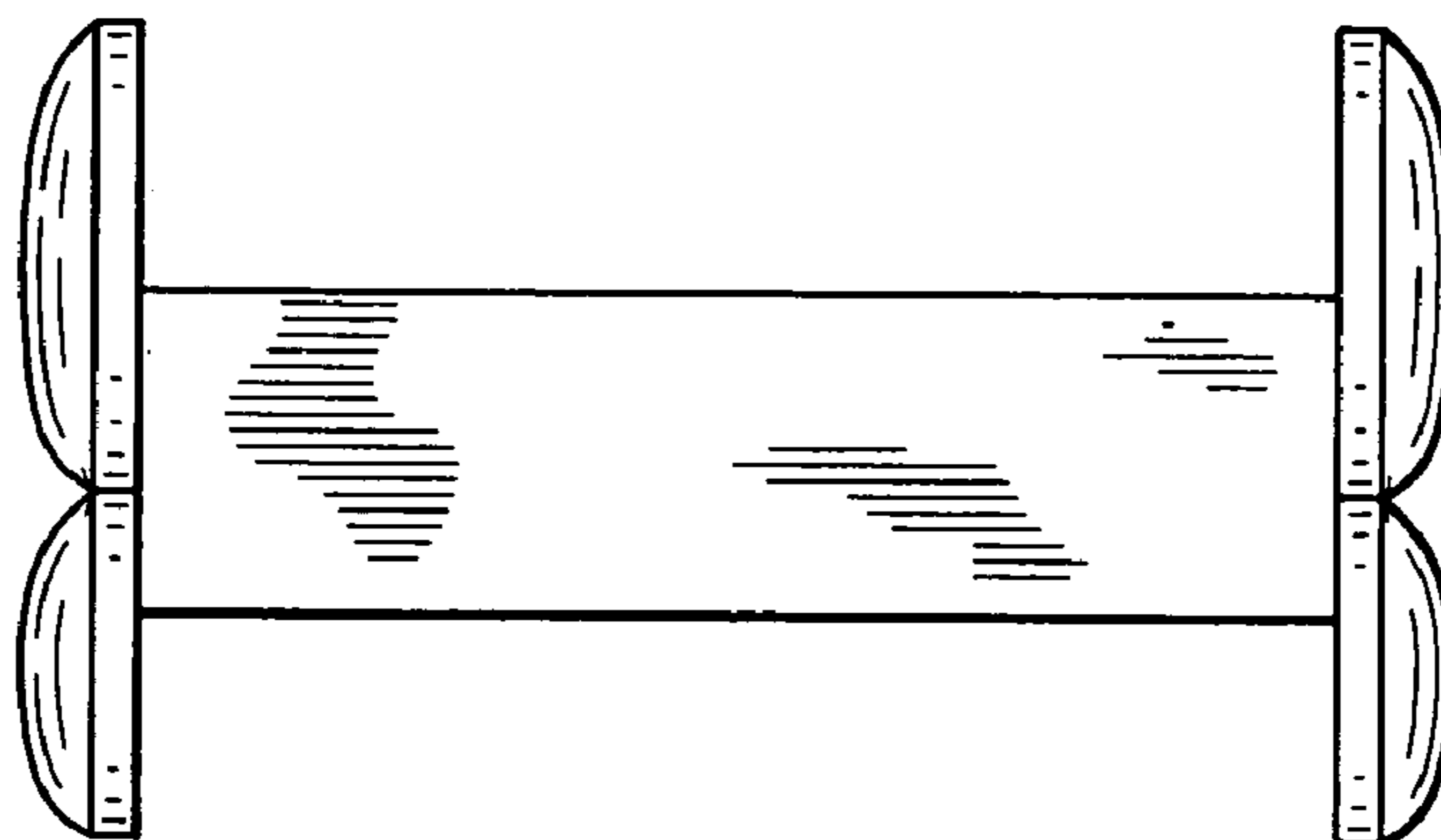


FIG. 2

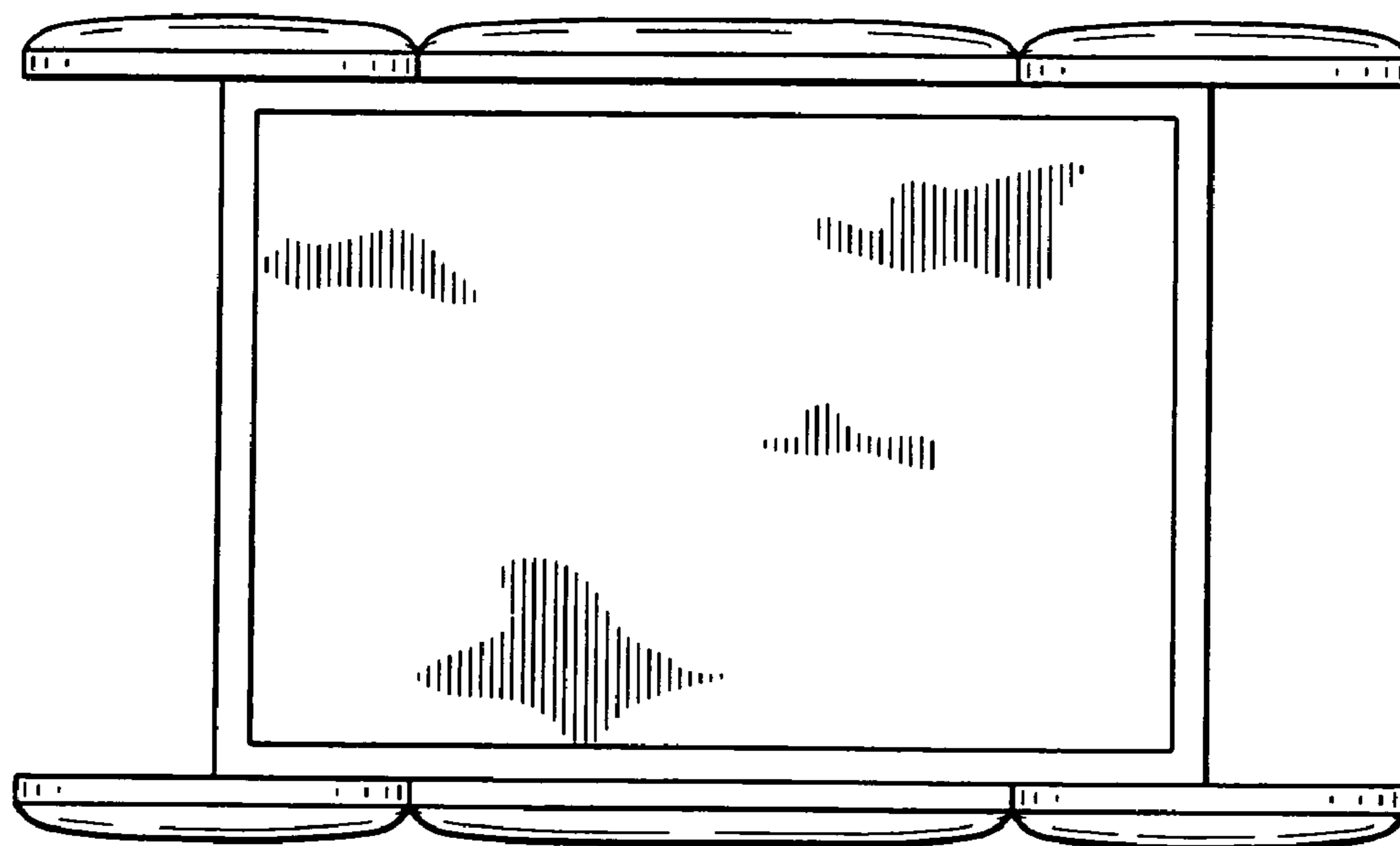


FIG. 3