

US00D558929S

(12) **United States Design Patent**  
**Bleakney**

(10) **Patent No.:** **US D558,929 S**  
(45) **Date of Patent:** **\*\* Jan. 1, 2008**

(54) **SPLIT-FINGERED OVEN MITTEN**

(57) **CLAIM**

(76) **Inventor:** **Linda M. Bleakney**, P.O. Box 4702,  
Stateline, NV (US) 89449

The ornamental design for a split-fingered oven mitten, as shown.

(\*\*) **Term:** **14 Years**

**DESCRIPTION**

(21) **Appl. No.:** **29/279,093**

FIG. 1 illustrating a plan view of an ornamental split-fingered oven mitten in accordance with the present invention;

(22) **Filed:** **Apr. 19, 2007**

FIG. 2 illustrating a bottom view of an ornamental split-fingered oven mitten in accordance with the present invention;

(51) **LOC (8) Cl.** ..... **02-06**

(52) **U.S. Cl.** ..... **D29/114**

(58) **Field of Classification Search** ..... D2/610,  
D2/623; D29/114, 123; 2/21; D24/190;  
D32/42-43; D28/63

FIG. 3 illustrating a side view of an ornamental split-fingered oven mitten in accordance with the present invention;

See application file for complete search history.

FIG. 4 illustrating a plan view of a folded ornamental split-fingered oven mitten in accordance with the present invention;

(56) **References Cited**

**U.S. PATENT DOCUMENTS**

1,990,553	A *	2/1935	Hirsch et al.	.....	2/20
2,069,449	A *	2/1937	Jensen	.....	2/20
3,098,654	A *	7/1963	Larsen	.....	473/60
D294,878	S *	3/1988	Banks	.....	D29/113
D374,509	S *	10/1996	Sullivan et al.	.....	D29/114
D414,300	S *	9/1999	Silvey	.....	D29/114
D529,663	S *	10/2006	Budd	.....	D29/114

FIG. 5 illustrating a plan view of a folded ornamental split-fingered oven mitten being worn on a user's hand in accordance with the present invention; and,

FIG. 6 illustrating a side view of a folded ornamental split-fingered oven mitten being worn on a user's hand in accordance with the present invention.

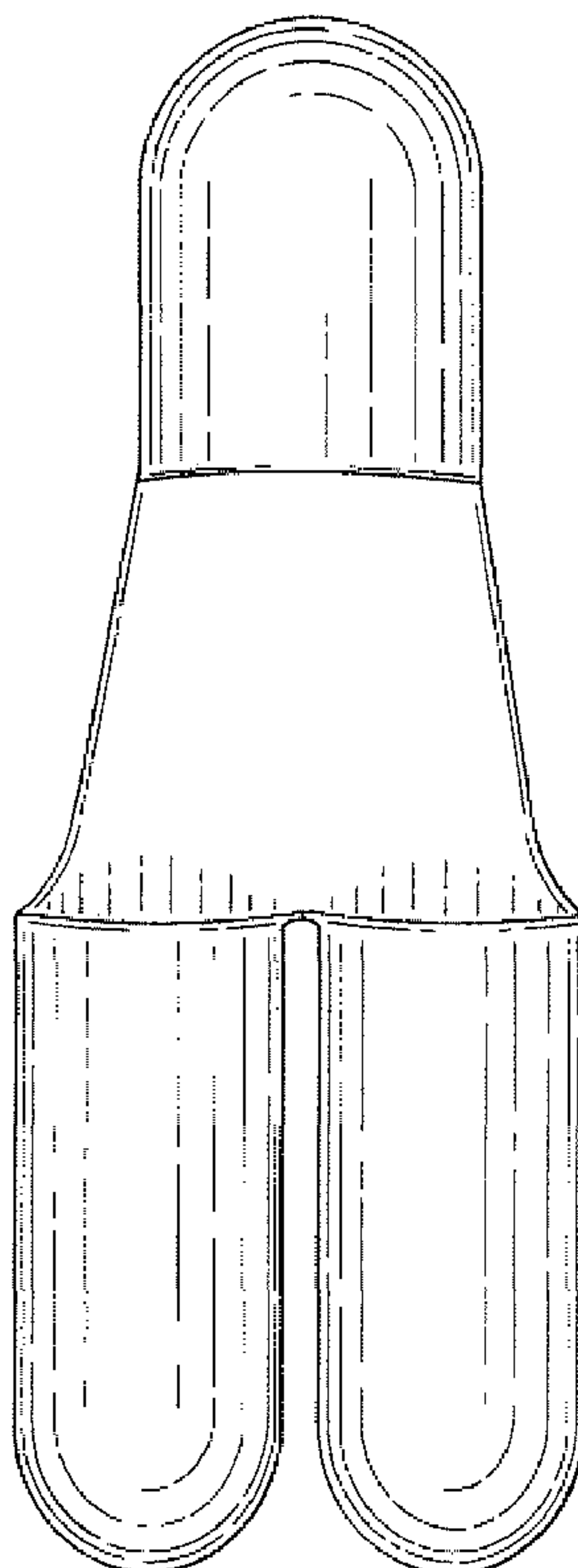
\* cited by examiner

The broken line showing of a human hand is for illustrative purposes only and forms no part of the claimed design.

*Primary Examiner*—Robert A. Delehanty

(74) *Attorney, Agent, or Firm*—Sierra Patent Group, Ltd.

**1 Claim, 4 Drawing Sheets**



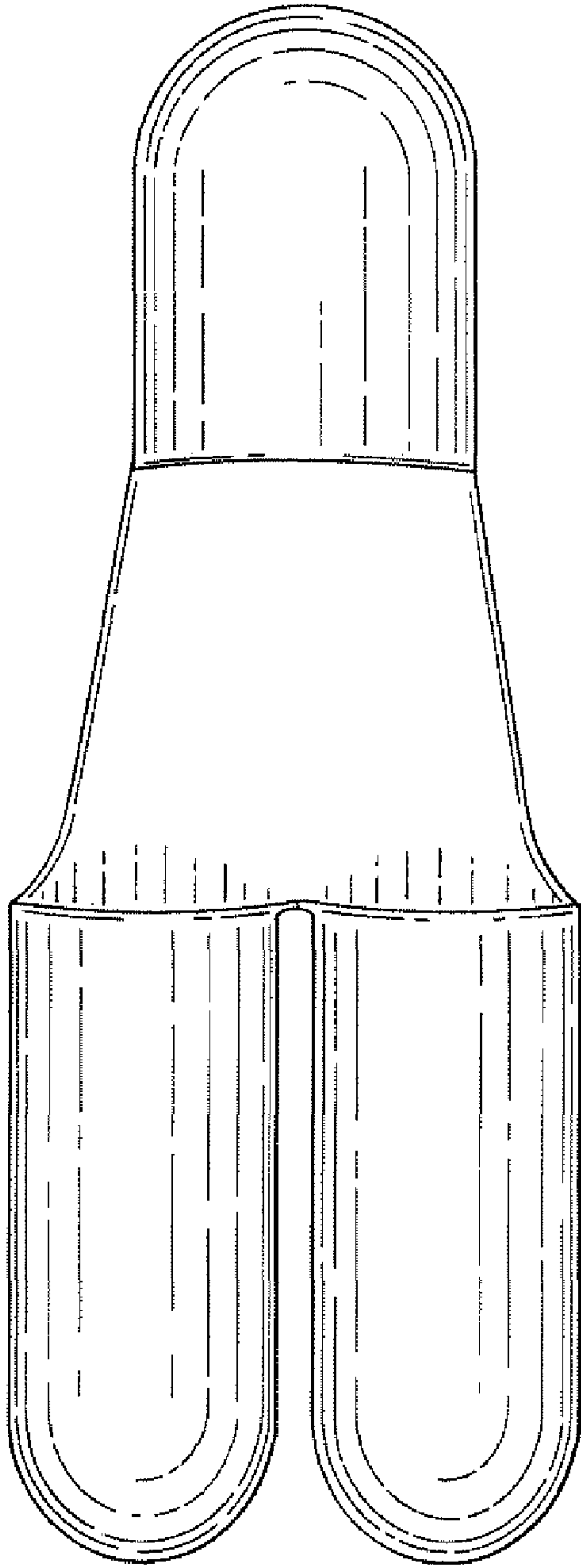


Fig. 1

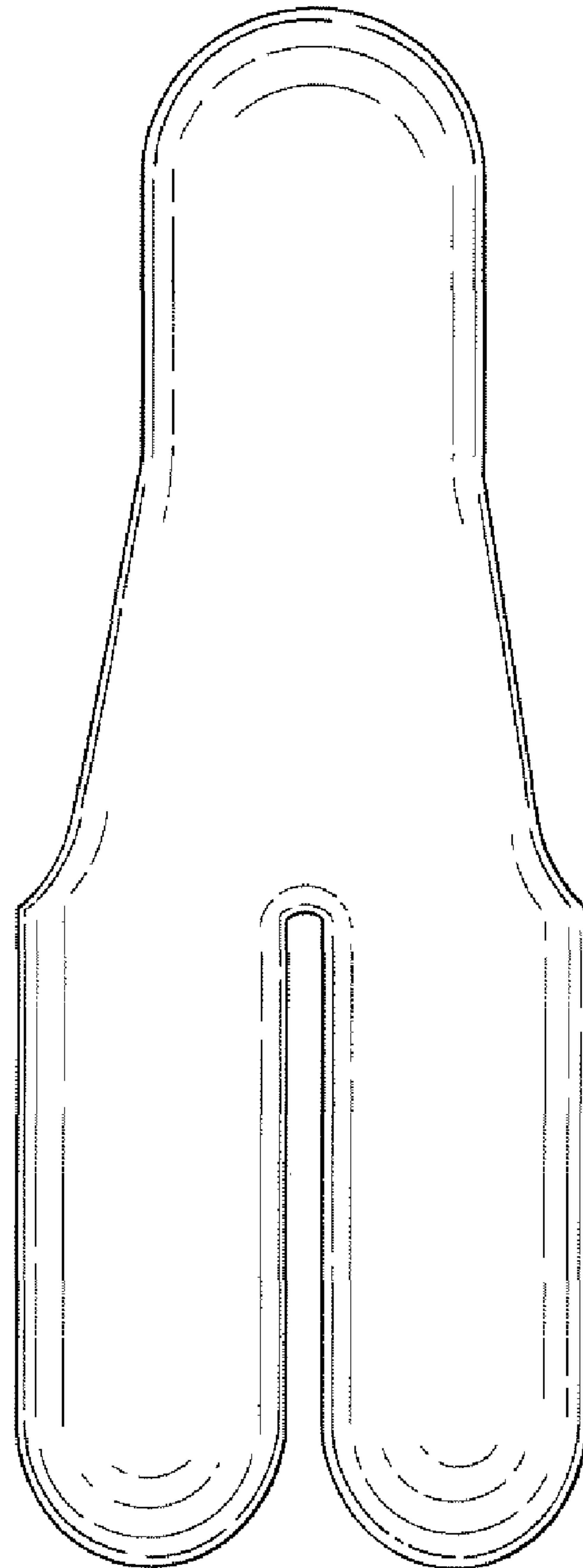


Fig. 2



Fig. 3

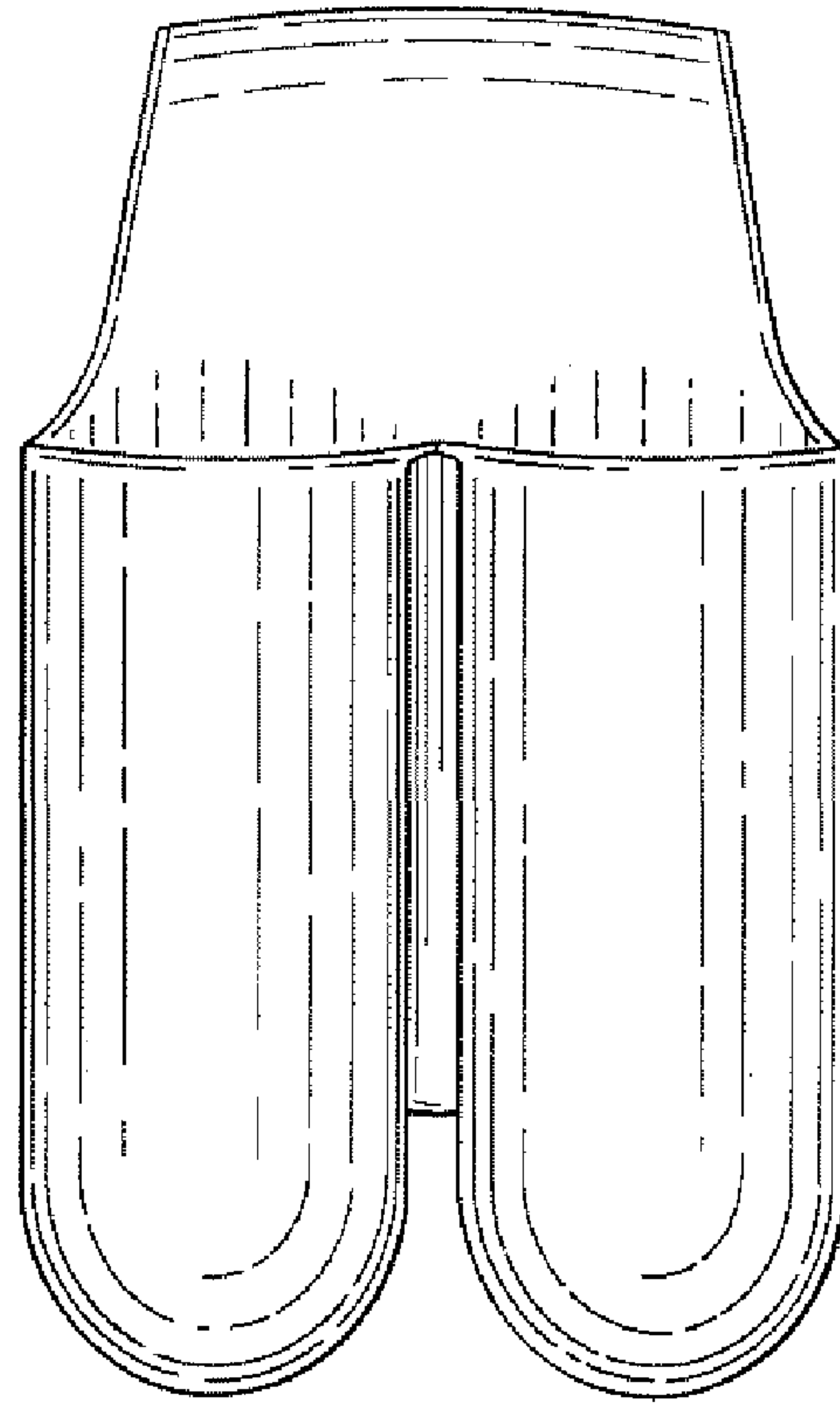


Fig. 4

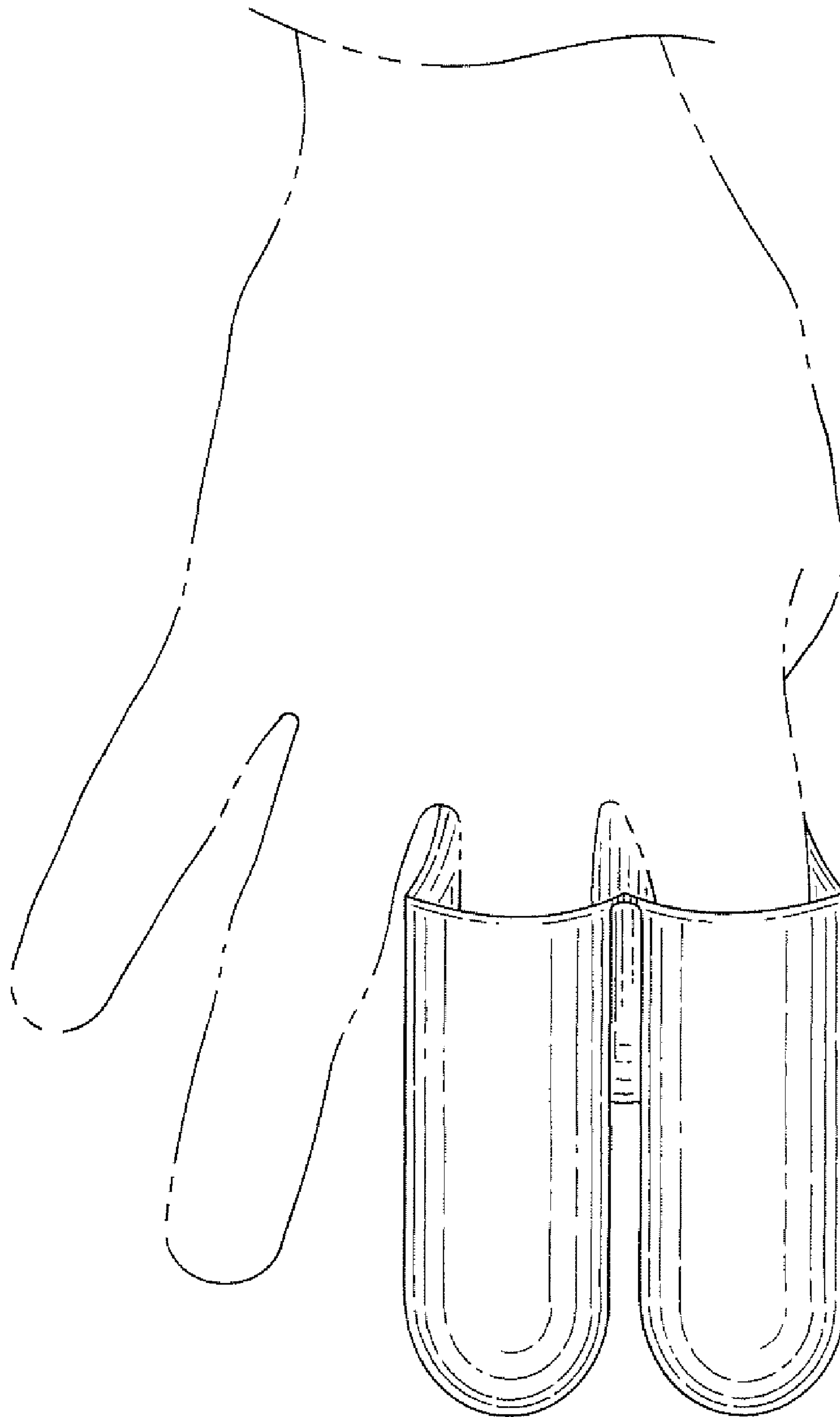


Fig. 5

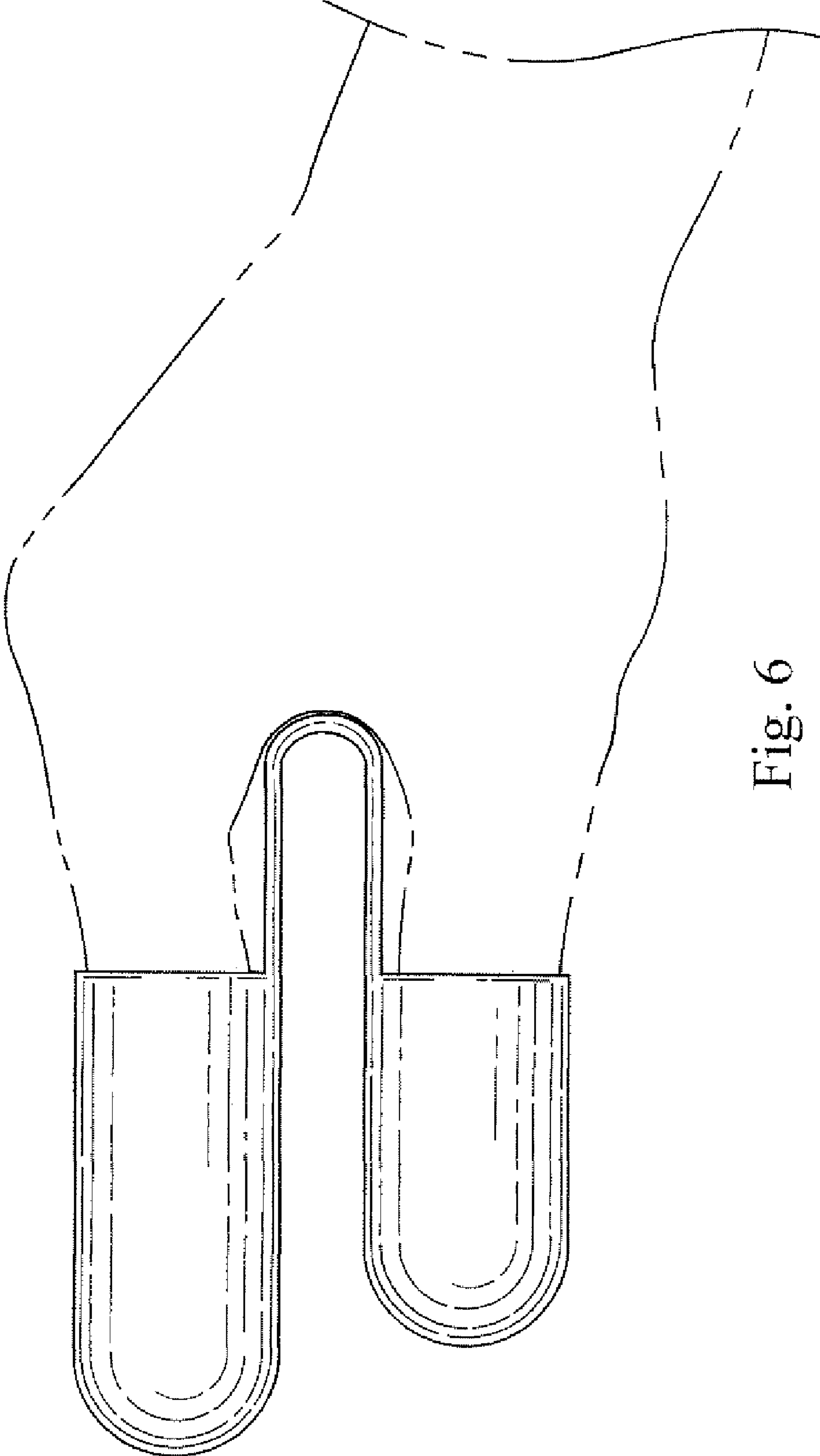


Fig. 6