



US00D558928S

(12) **United States Design Patent**  
**Wise et al.**

(10) **Patent No.:** **US D558,928 S**

(45) **Date of Patent:** **\*\* Jan. 1, 2008**

(54) **WORK HELMET**

(75) Inventors: **Robert Wise**, Petaluma, CA (US);  
**Peter Muller**, Woodside, CA (US)

(73) Assignee: **Robert W. Wise**, Petaluma, CA (US)

(\*\*) Term: **14 Years**

(21) Appl. No.: **29/246,815**

(22) Filed: **May 11, 2006**

(51) **LOC (8) Cl.** ..... **29-02**

(52) **U.S. Cl.** ..... **D29/105**

(58) **Field of Classification Search** ..... D29/102,  
D29/104-107, 122; 2/410-411, 414-421,  
2/423-425

See application file for complete search history.

(56) **References Cited**

U.S. PATENT DOCUMENTS

D181,240 S \* 10/1957 Stuart et al. .... D29/105  
D182,795 S \* 5/1958 Egly ..... D29/105

(Continued)

*Primary Examiner*—Ruth McInroy

(74) *Attorney, Agent, or Firm*—Michael A. Glenn; Glenn  
Patent Group

(57) **CLAIM**

We claim the ornamental design for a work helmet, as shown  
and described.

**DESCRIPTION**

FIG. 1 is a left-front perspective view of a work helmet  
showing our new design, with earpieces and eye shield in  
retracted positions;

FIG. 2 is a right-rear perspective view thereof, with ear-  
pieces and eye shield in retracted positions;

FIG. 3 is a left-front perspective view thereof, with earpieces  
and eye shield in lowered positions;

FIG. 4 is a right-rear perspective view thereof, with ear-  
pieces and eye shield in lowered positions;

FIG. 5 is a bottom plan view thereof, with the earpieces and  
eye shield in lowered positions;

FIG. 6 is a top plan view thereof, with earpieces and eye  
shield in lowered positions;

FIG. 7 is a left-side view thereof, with earpieces and eye  
shield in retracted positions;

FIG. 8 is a left-side view thereof, with the earpieces and eye  
shield in lowered positions;

FIG. 9 is a right side view thereof, with earpieces and eye  
shield in retracted positions;

FIG. 10 is a right-side view thereof, with earpieces and eye  
shield in lowered positions;

FIG. 11 is a front view thereof, with earpieces and eye shield  
in lowered positions;

FIG. 12 is a rear view thereof, with earpieces and eye shield  
in lowered positions;

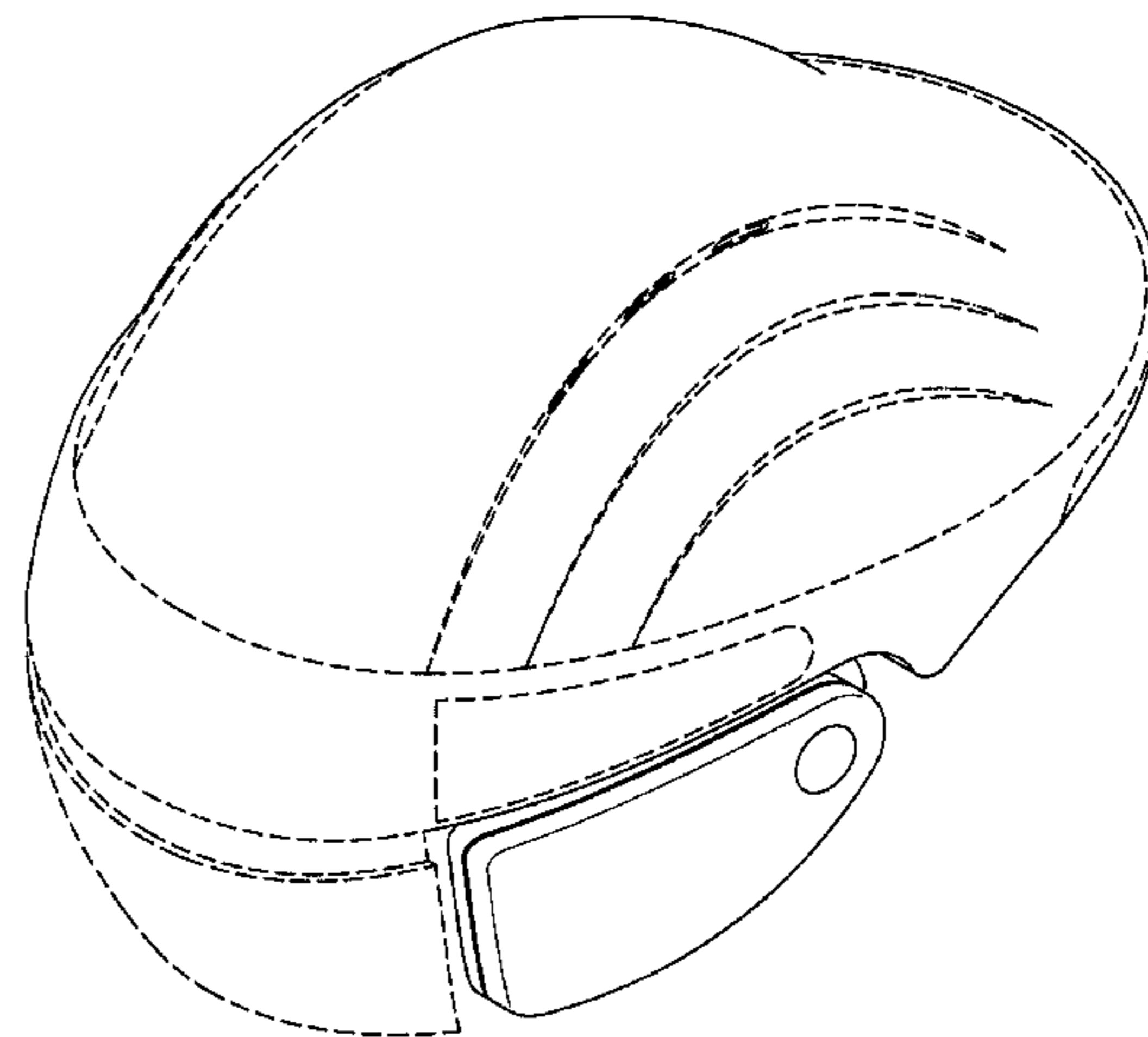
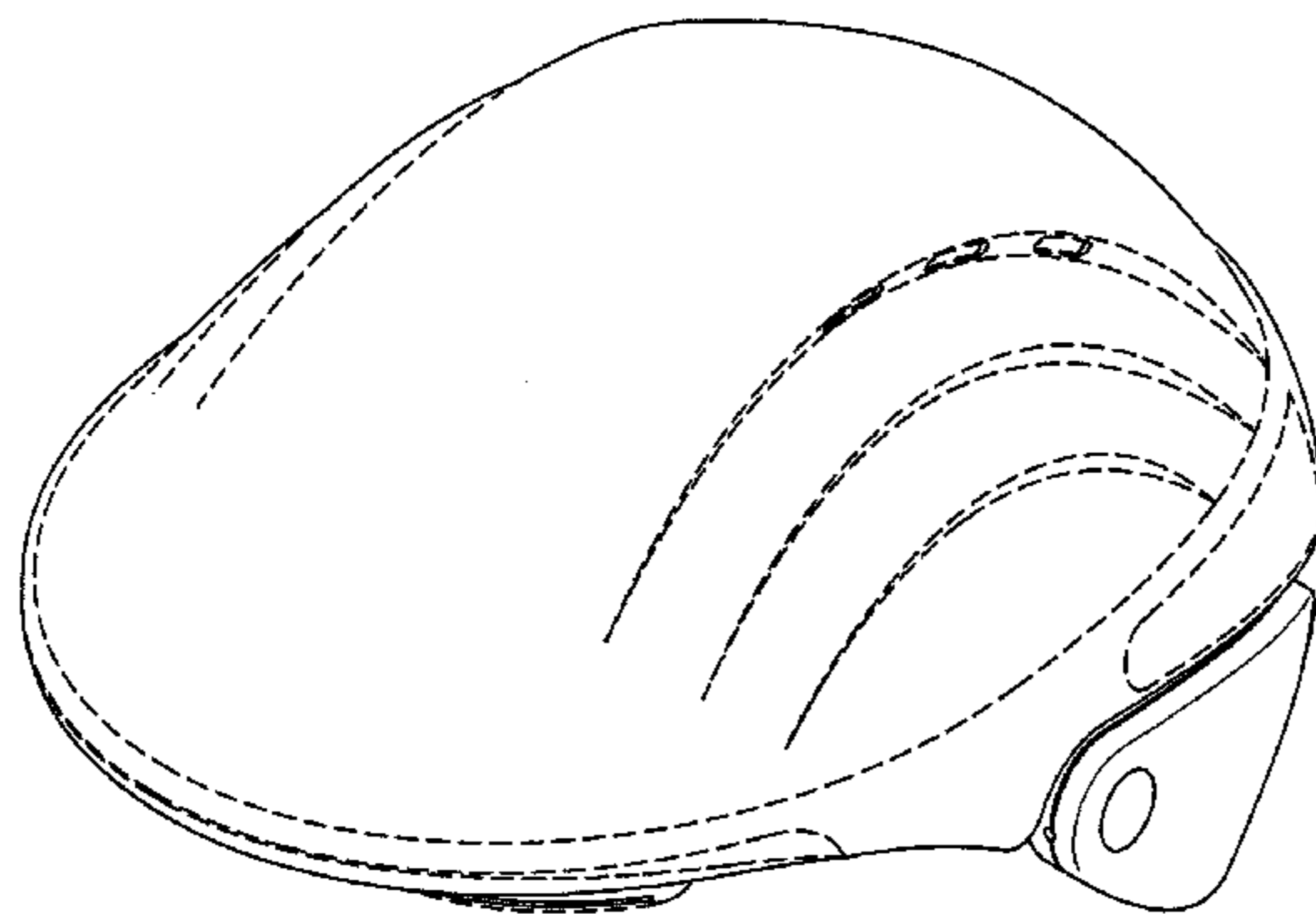
FIG. 13 is a front view thereof, with earpieces and eye shield  
in retracted positions; and,

FIG. 14 is a rear view thereof, with earpieces and eye shield  
in retracted positions.

The details shown in broken lines form no part of the  
claimed design.

FIGS. 1, 2, 6, 7, 9, 13 and 14 show the helmet with the  
earpiece in a raised position. FIGS. 3-5, 8, 10-12 show the  
earpiece in a lowered position.

**1 Claim, 7 Drawing Sheets**



# US D558,928 S

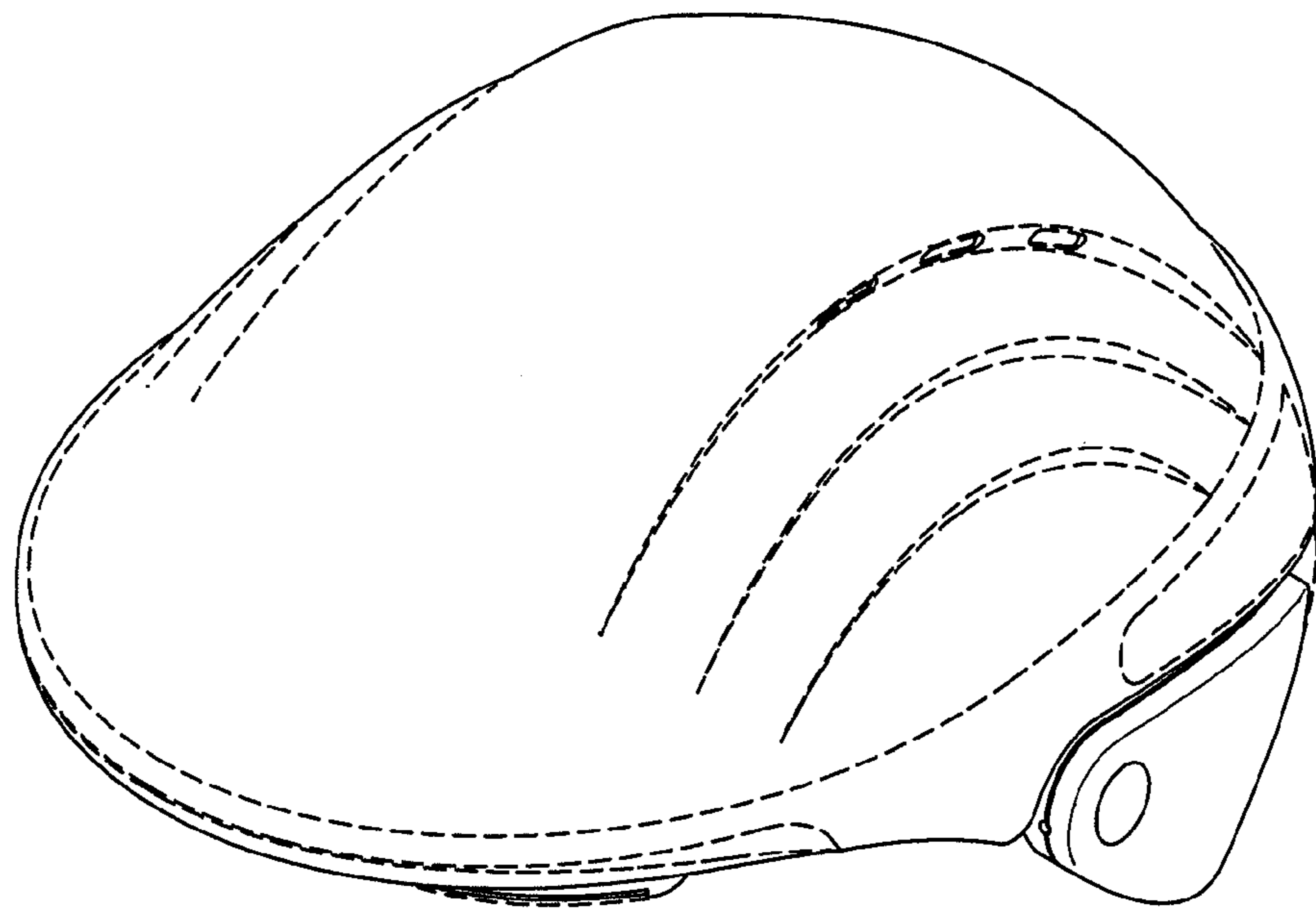
Page 2

---

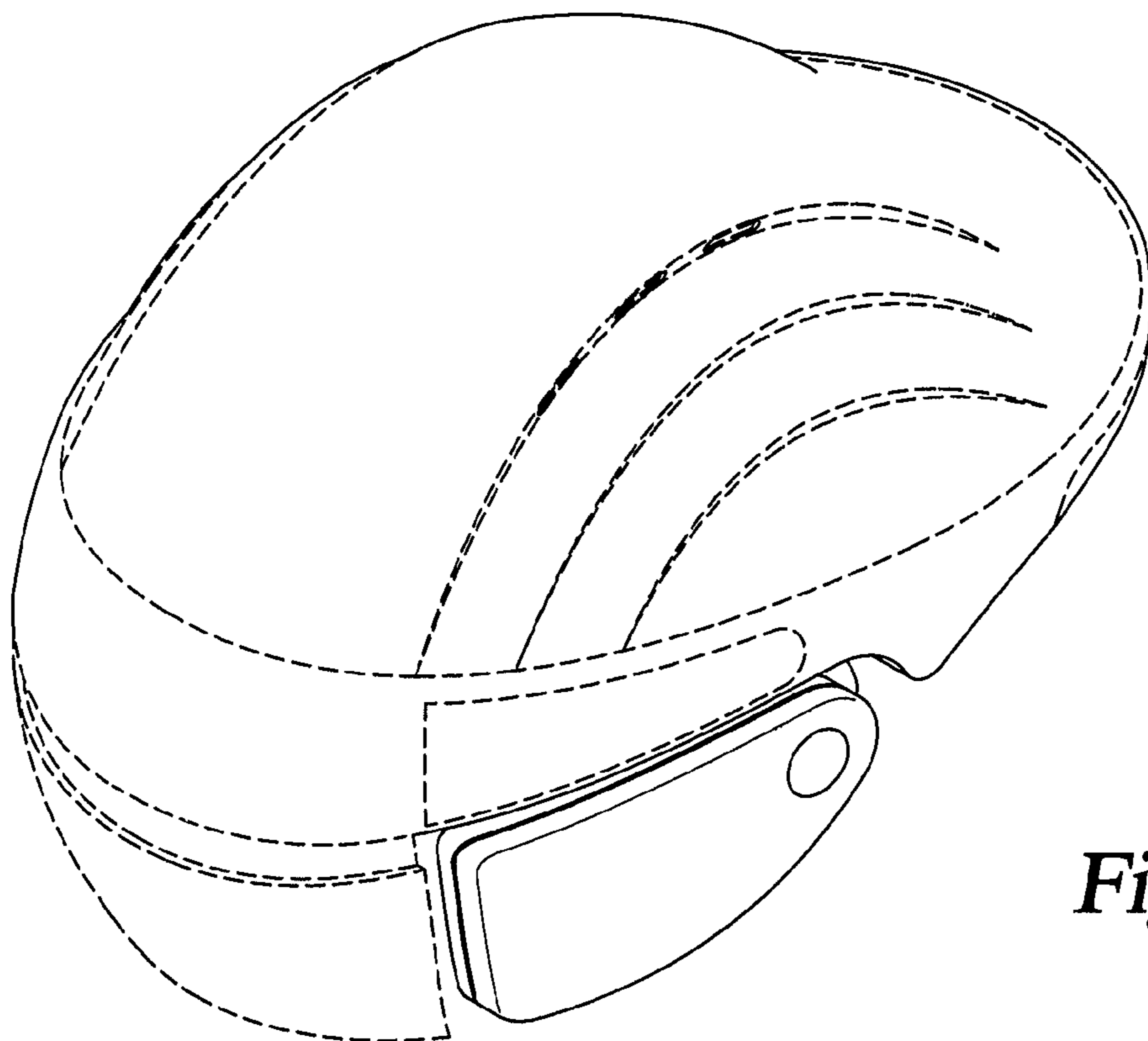
## U.S. PATENT DOCUMENTS

D186,652	S	*	11/1959	Hale	.....	D29/104	
D367,548	S	*	2/1996	Jeng	.....	D29/102	
5,829,065	A	*	11/1998	Cahill	.....	2/418	
6,065,159	A	*	5/2000	Hirsh	.....	2/425	
6,073,272	A	*	6/2000	Ball	.....	2/423	
D447,604	S	*	9/2001	Watters et al.	.....	D29/102	
D449,135	S	*	10/2001	Martin et al.	.....	D29/102	
D464,174	S	*	10/2002	Lu	.....	D29/102	
D495,093	S	*	8/2004	Tintera	.....	D29/102	
D518,241	S	*	3/2006	Finquel	.....	D29/105	
D535,059	S	*	1/2007	Lam	.....	D29/102	

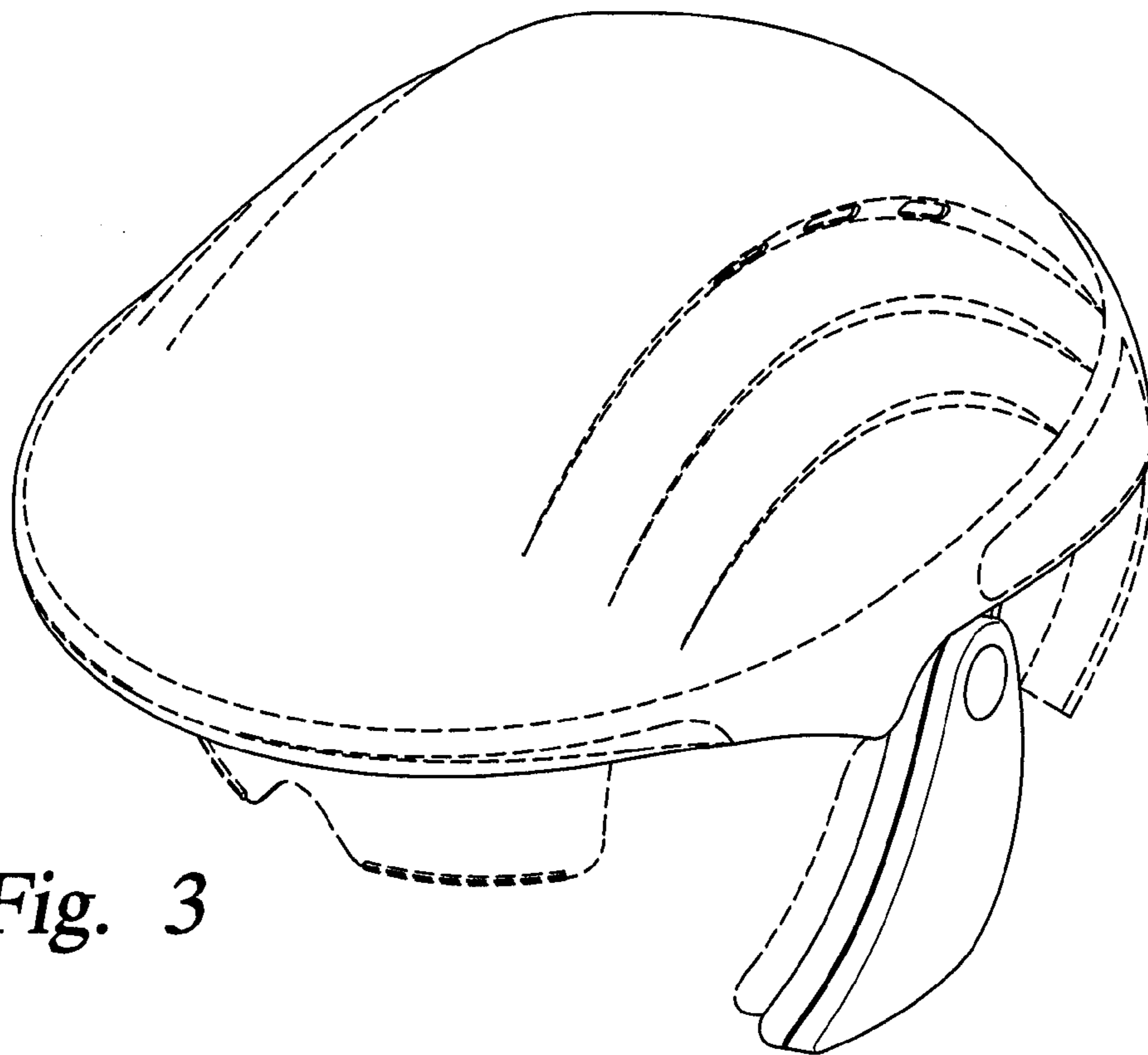
\* cited by examiner



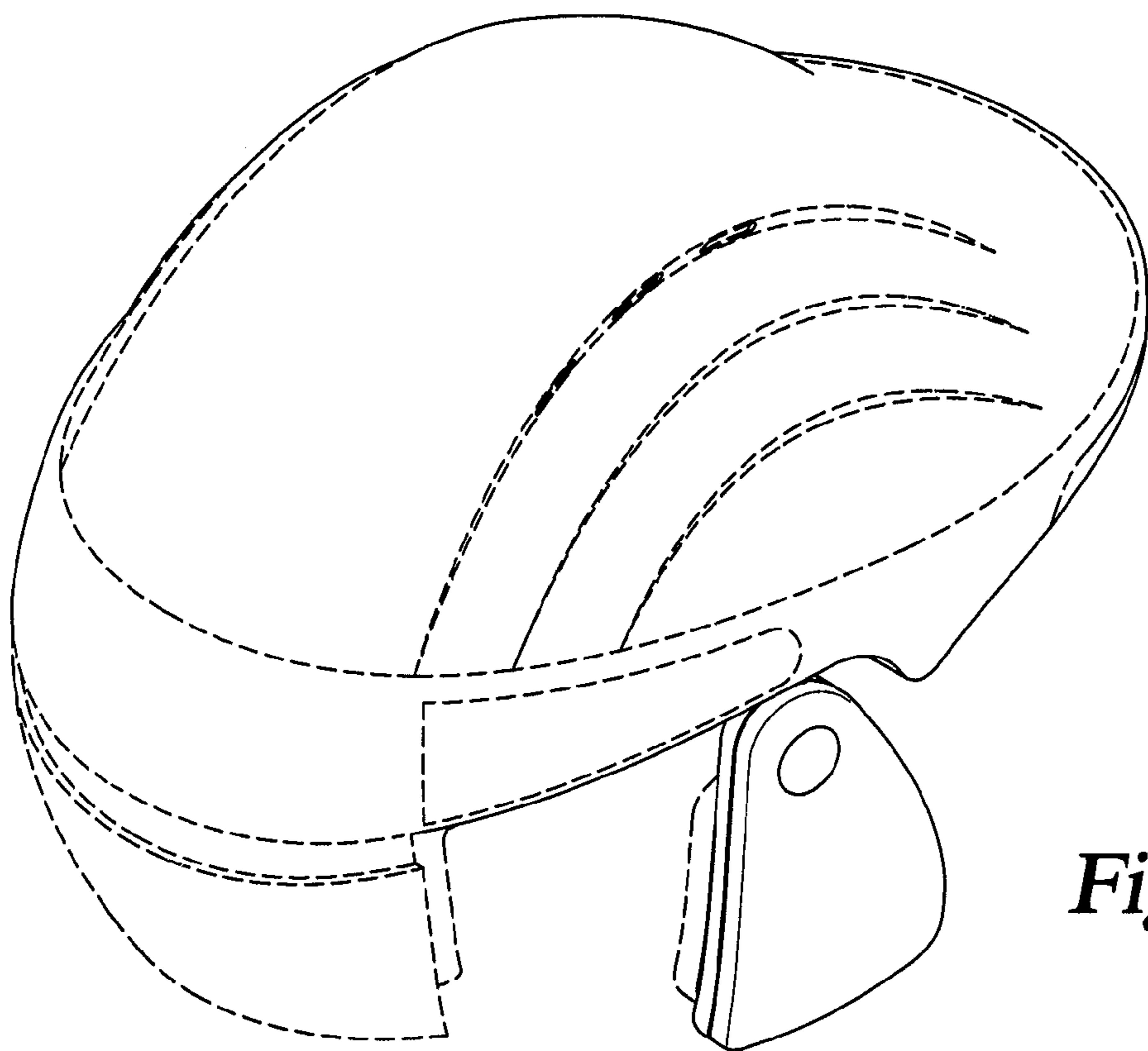
*Fig. 1*



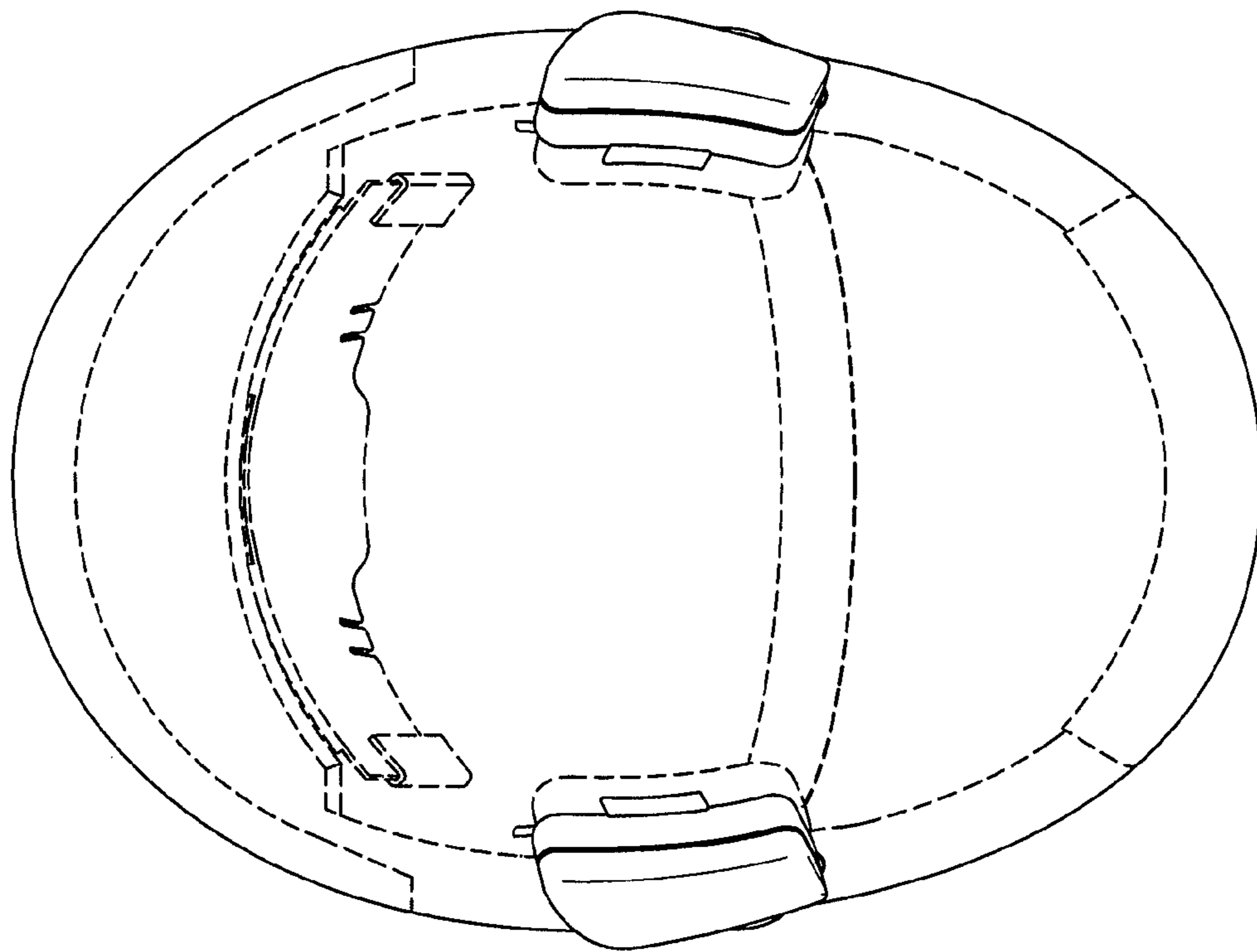
*Fig. 2*



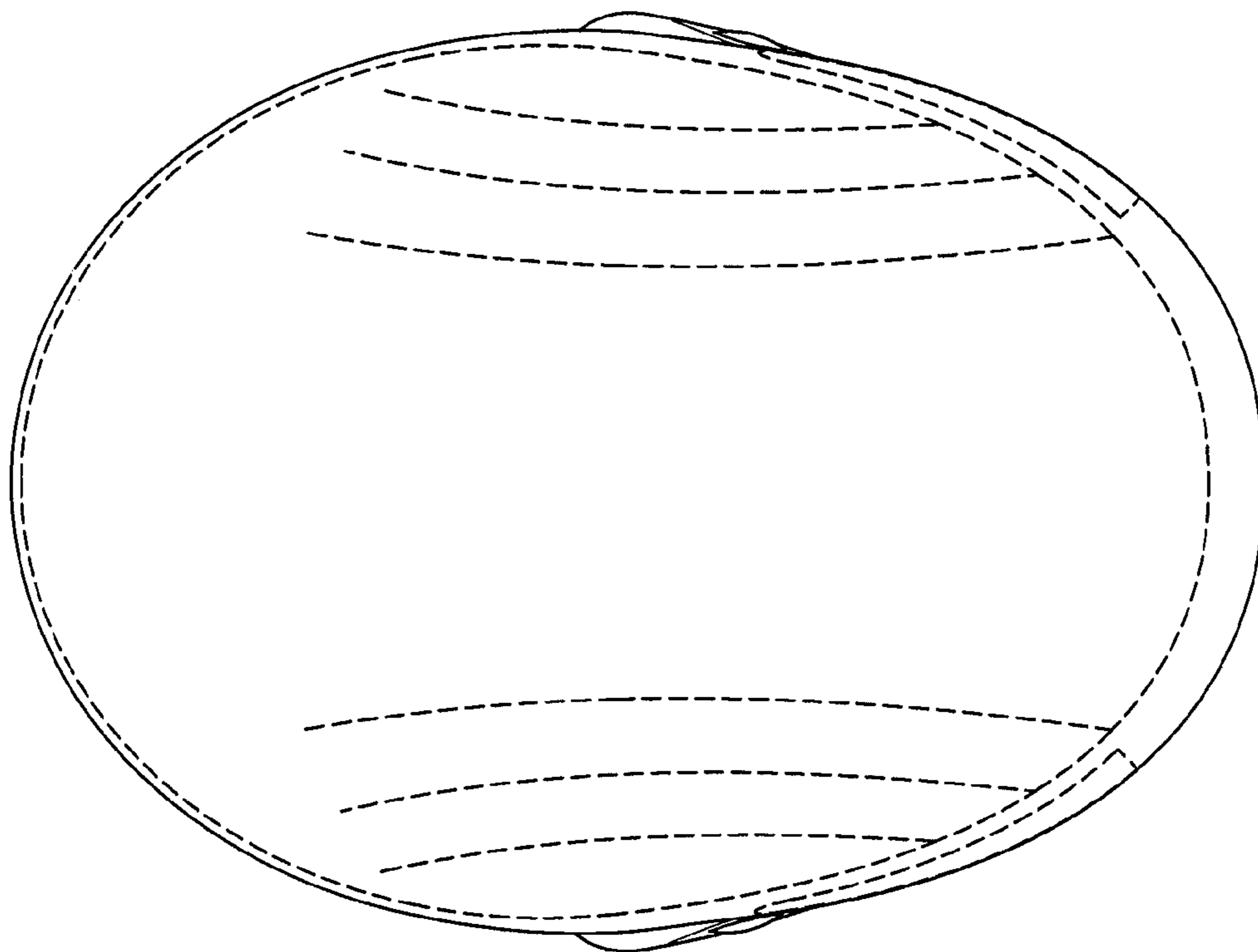
*Fig. 3*



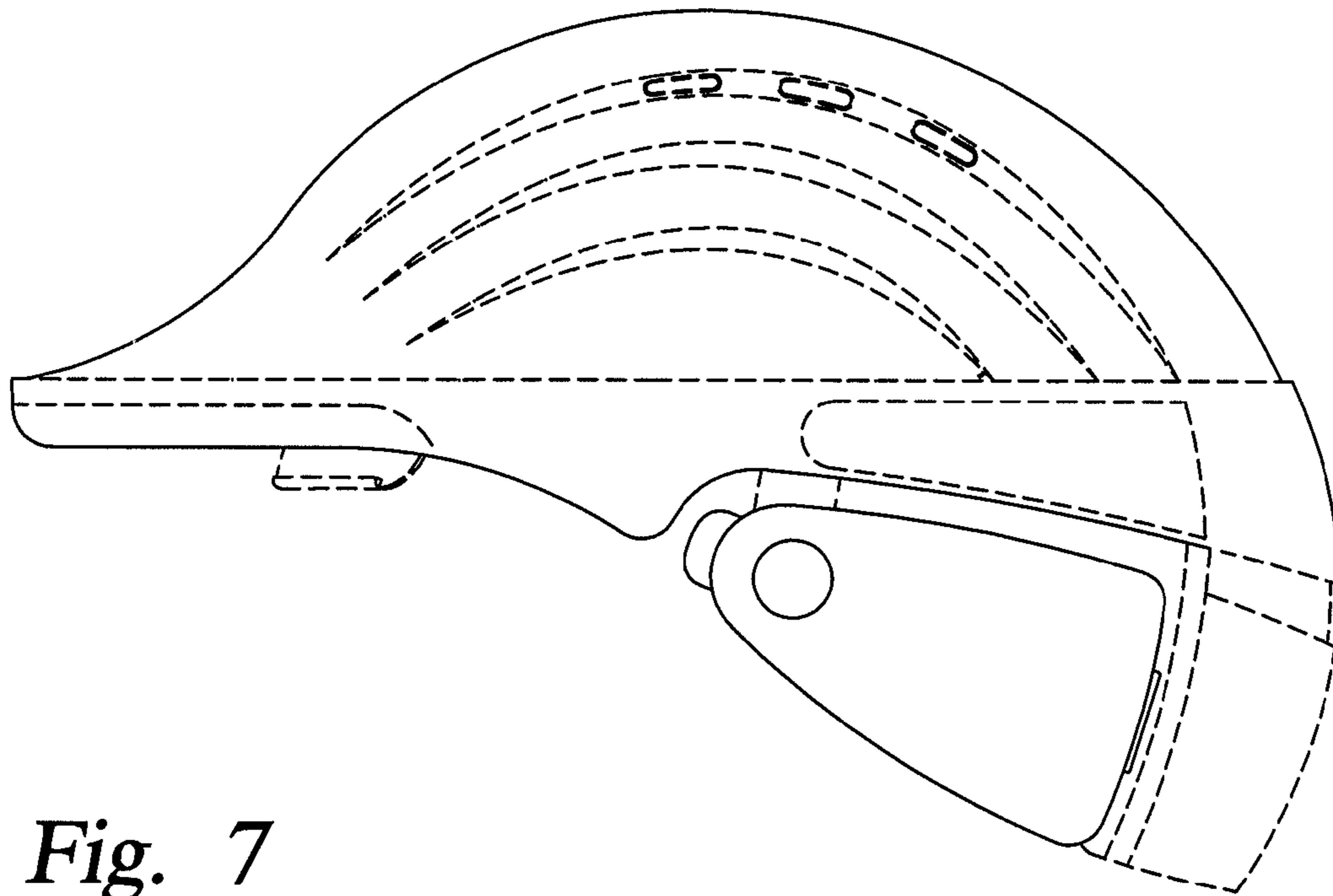
*Fig. 4*



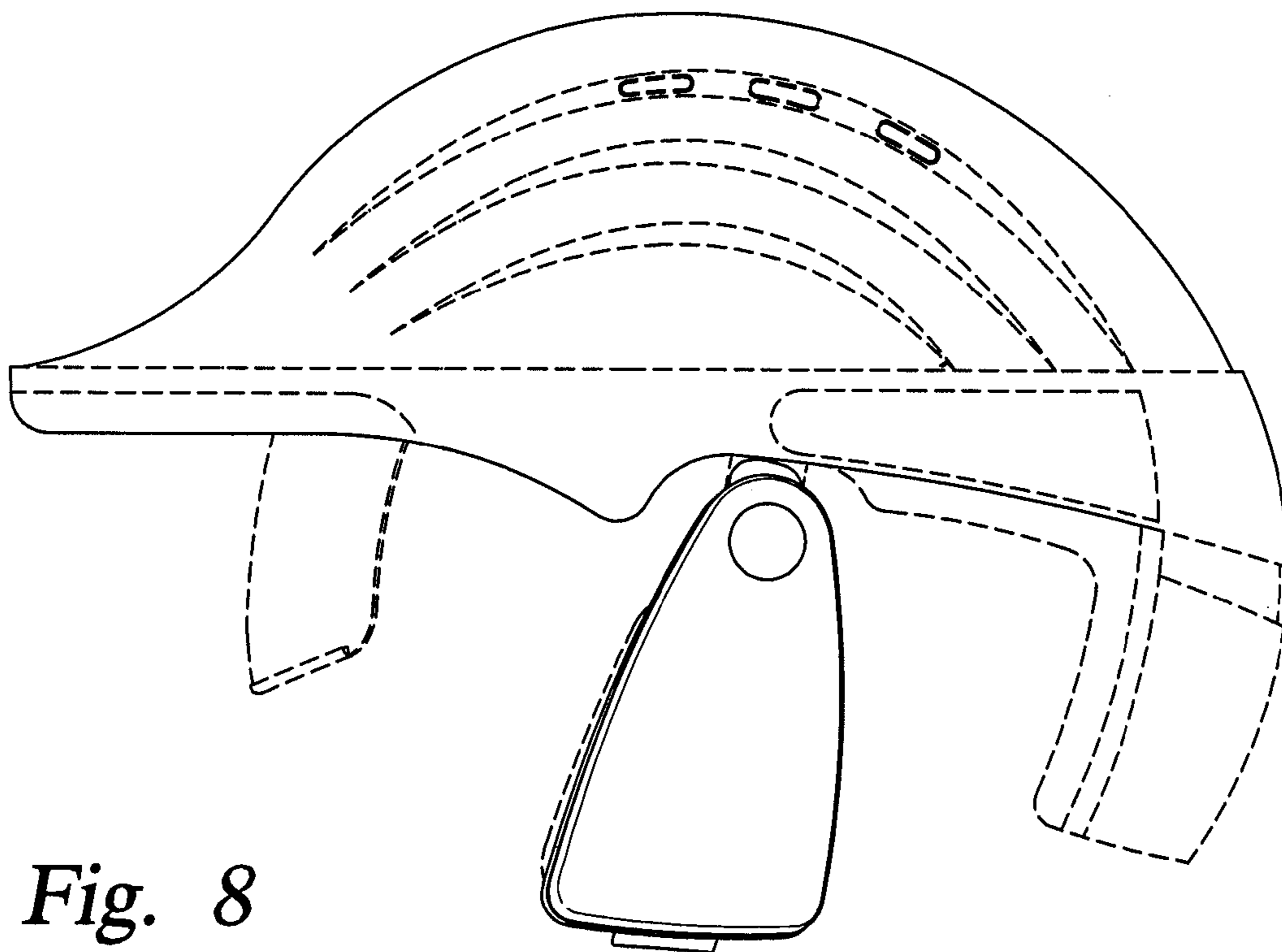
*Fig. 5*



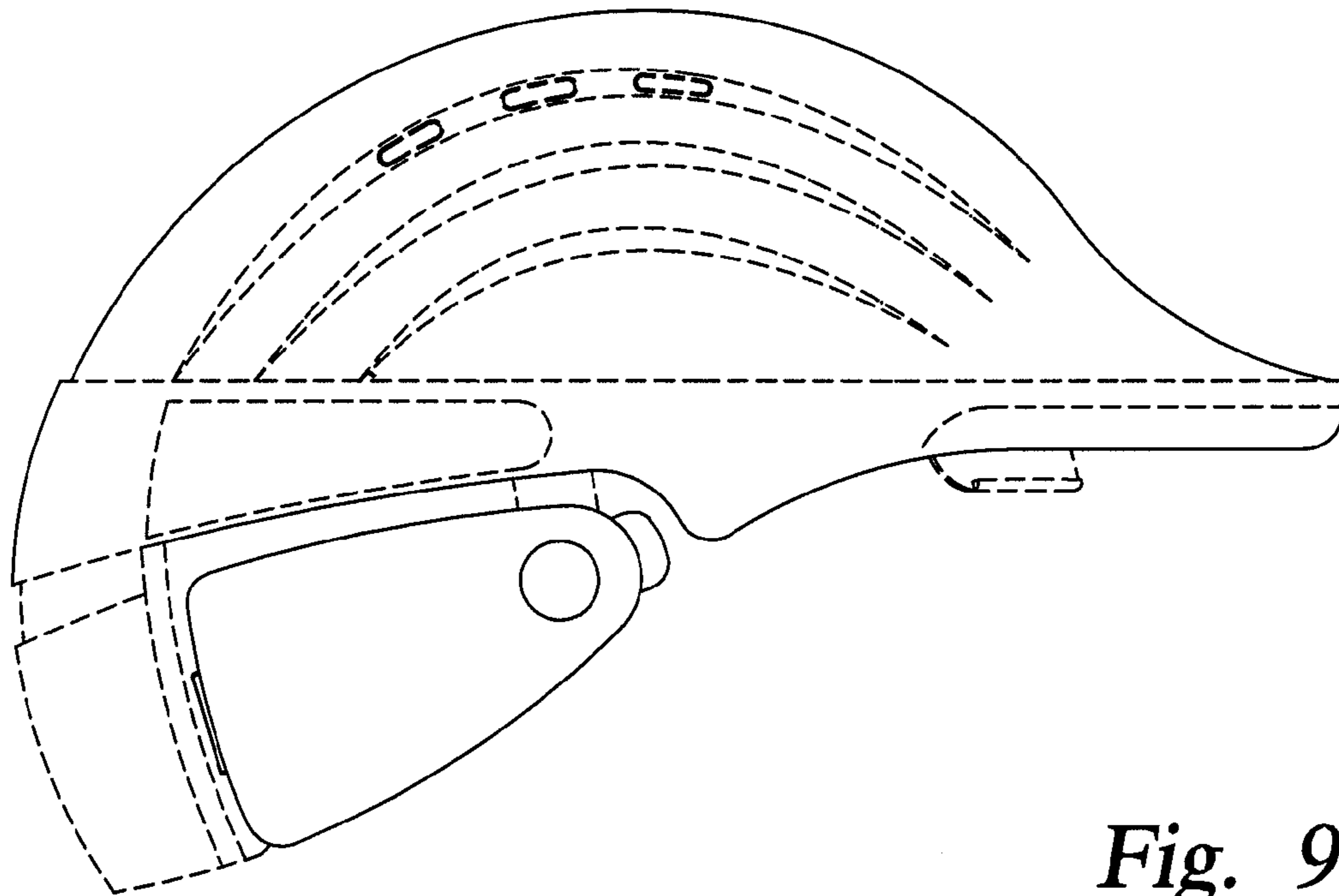
*Fig. 6*



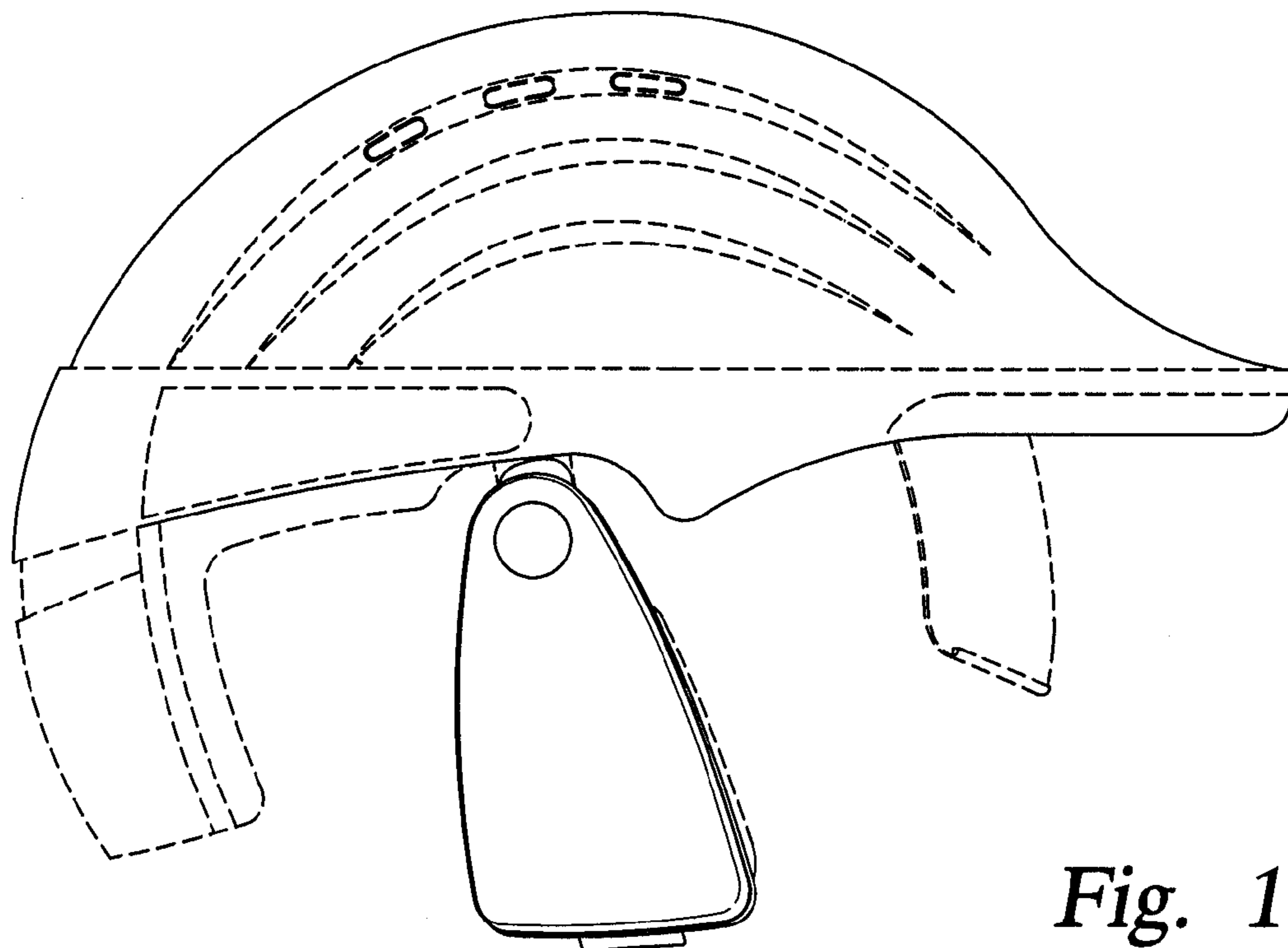
*Fig. 7*



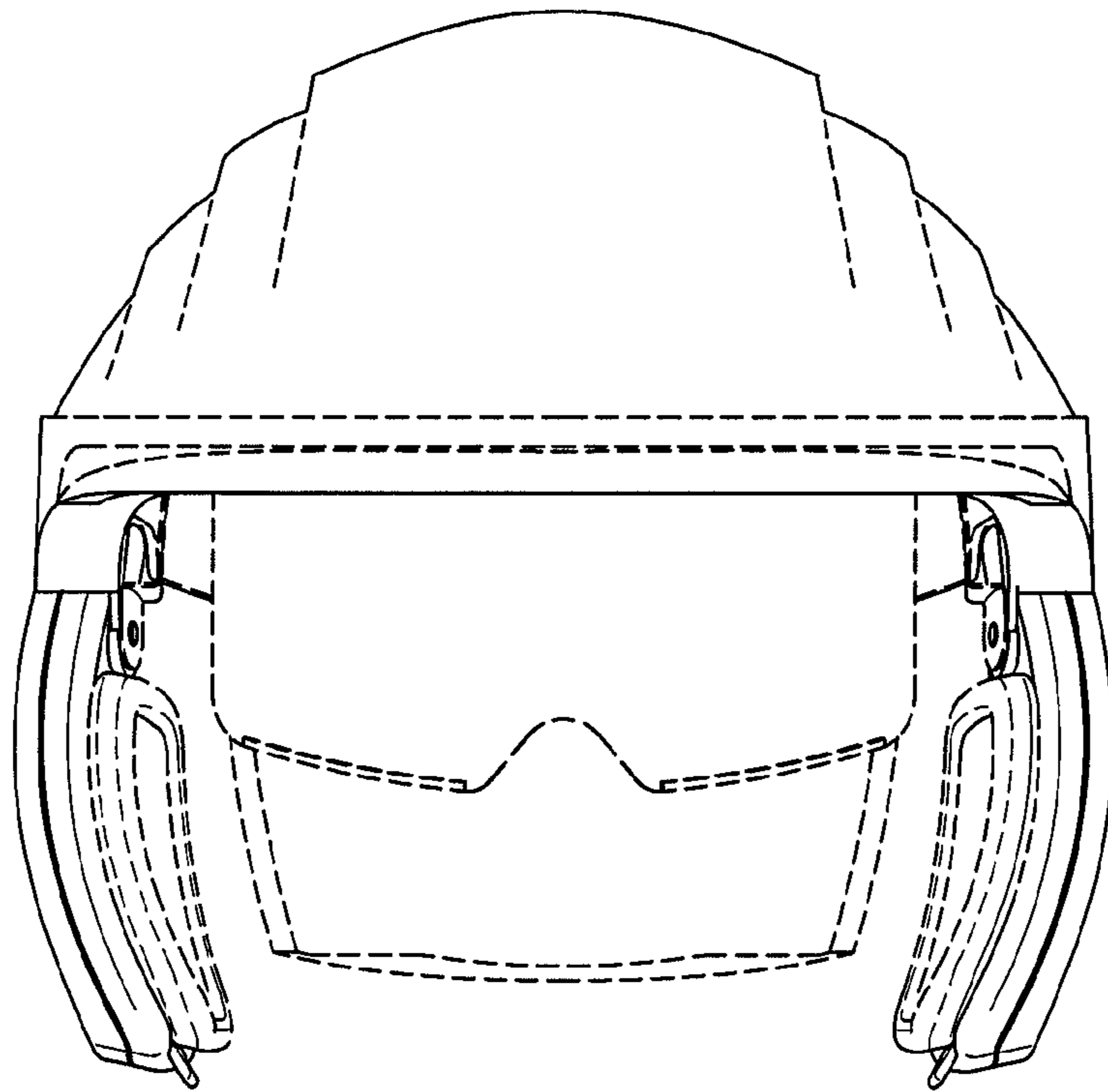
*Fig. 8*



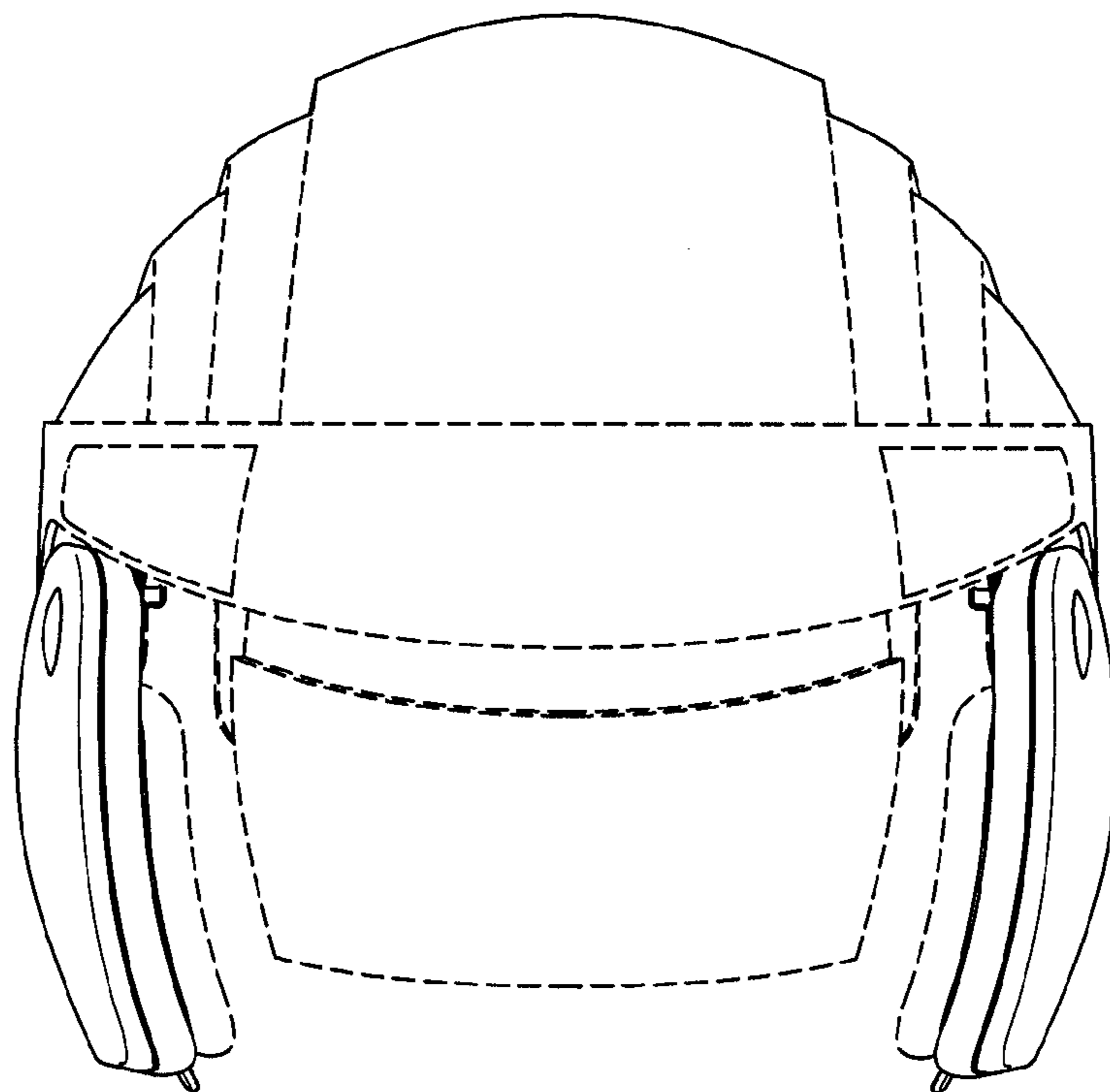
*Fig. 9*



*Fig. 10*

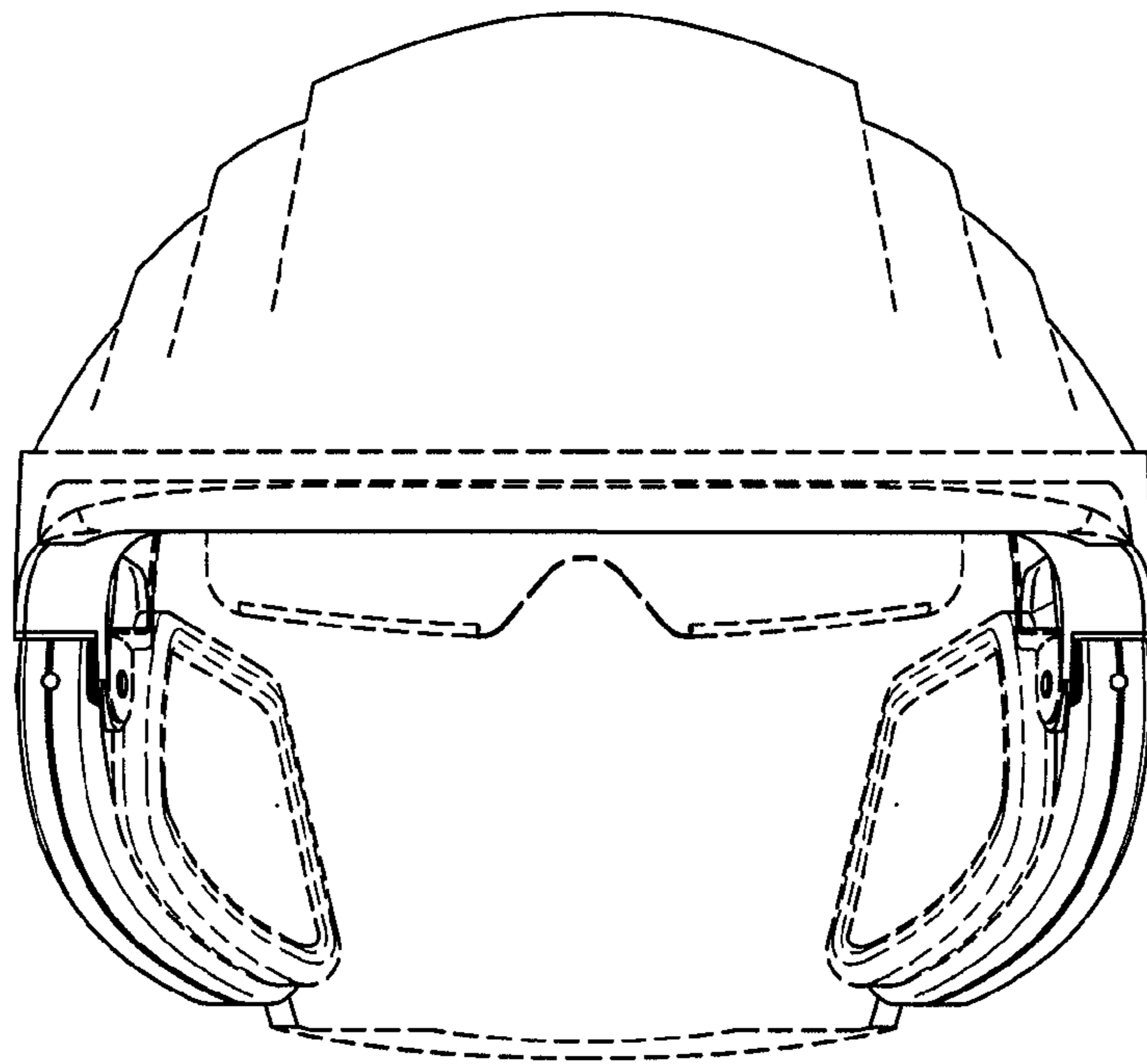


*Fig. 11*

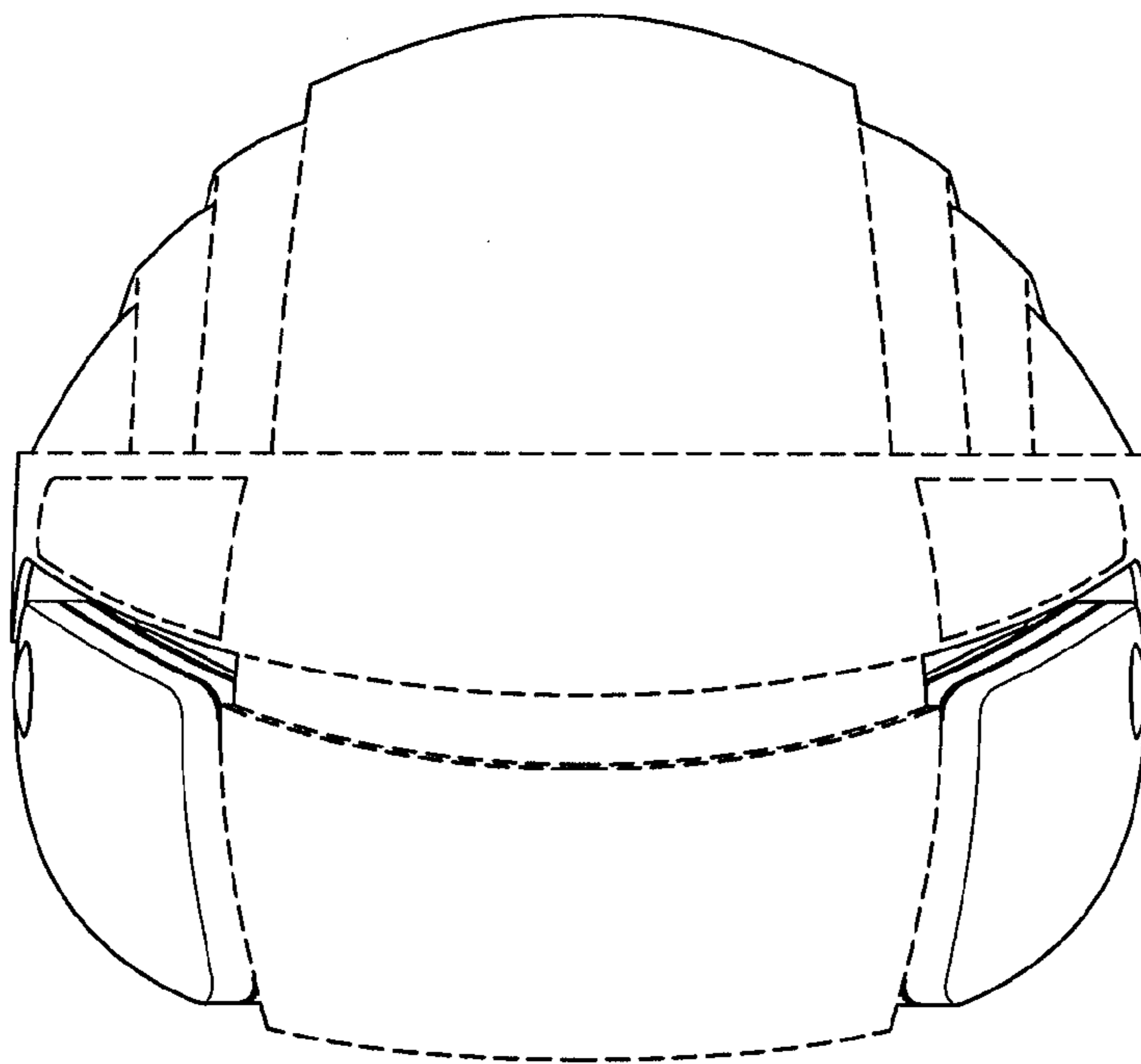


*Fig. 12*





*Fig. 13*



*Fig. 14*