



US00D558925S

(12) **United States Design Patent**
Skyles

(10) **Patent No.:** **US D558,925 S**

(45) **Date of Patent:** **** Jan. 1, 2008**

(54) **HANGER FOR A HAIR DRYER AND
CURLING TONGS**

D373,849 S * 9/1996 Passalacqua D28/38
D377,695 S * 1/1997 Puckett D28/38

(76) Inventor: **Kevin B. Skyles**, 922 NW. Poplar Ave.,
Redmond, OR (US) 97756

* cited by examiner

Primary Examiner—Jennifer Rivard

(**) Term: **14 Years**

(74) *Attorney, Agent, or Firm*—John Smith-Hill; Smith-Hill
and Bedell

(21) Appl. No.: **29/278,865**

(57) **CLAIM**

(22) Filed: **Apr. 12, 2007**

The ornamental design for the hanger for a hair dryer and
curling tongs, as shown and described.

(51) **LOC (8) Cl.** **28-03**

(52) **U.S. Cl.** **D28/73; D28/18; D28/38**

(58) **Field of Classification Search** D28/18,
D28/73, 38; 211/75, 70.3, 70.6, 85.18, 106;
220/490; 248/117.2–117.4; 219/222, 242;
D6/537, 566, 504

DESCRIPTION

FIG. 1 is a top plan view of a hanger showing my new
design,

See application file for complete search history.

FIG. 2 is a front elevation thereof,

FIG. 3 is a right elevation thereof, and,

FIG. 4 is a left elevation thereof.

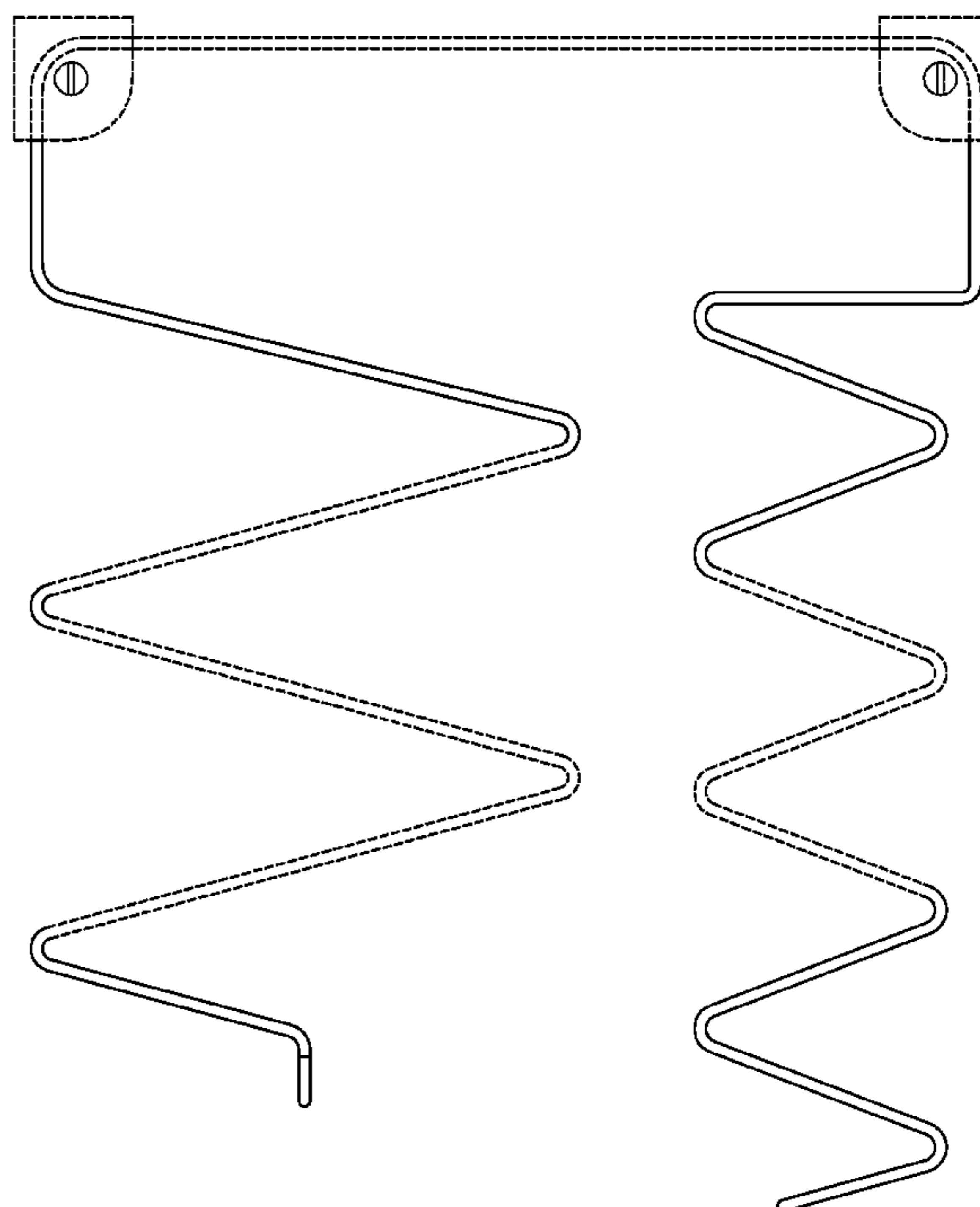
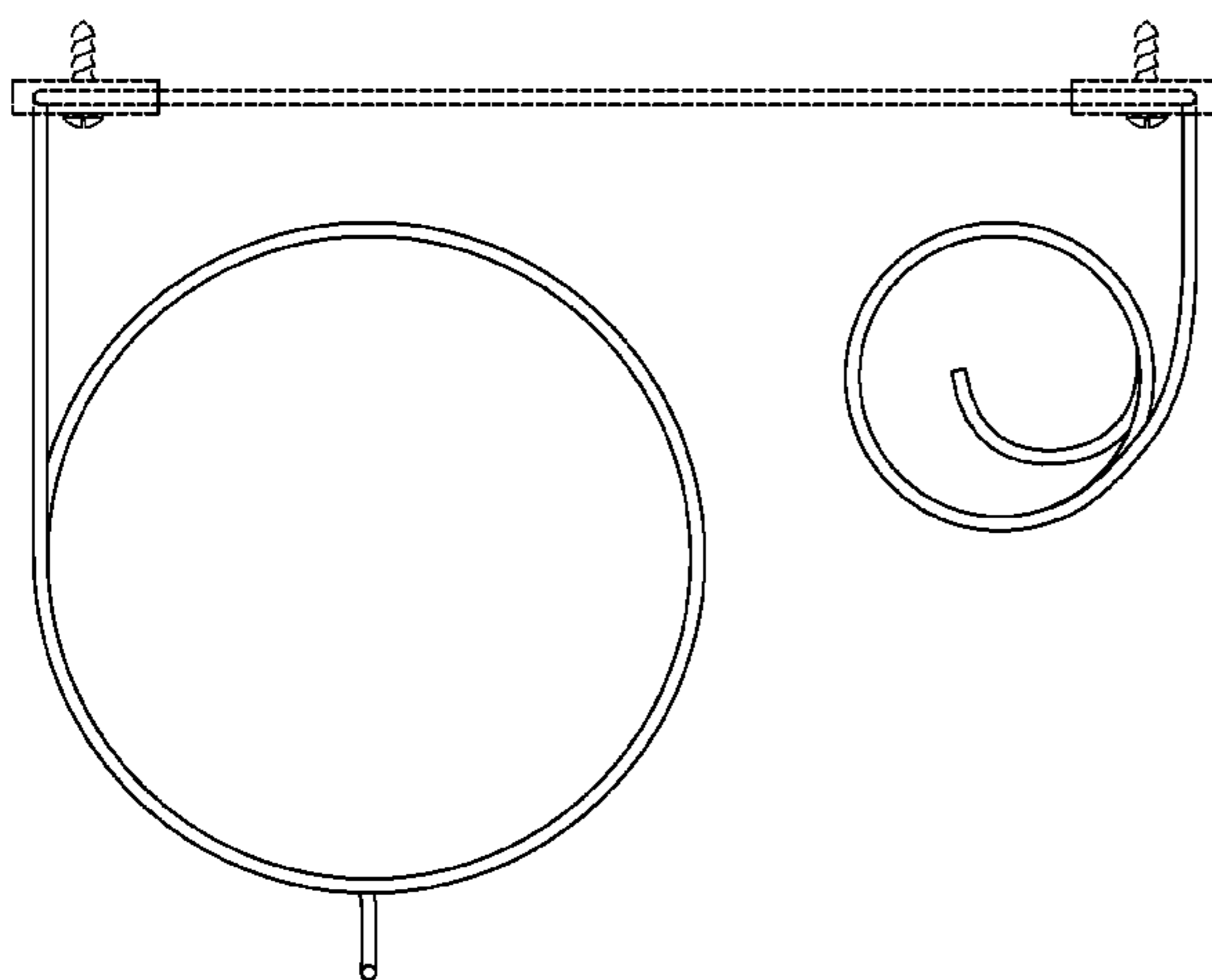
The breakaways in the drawings illustrate that the spirals are
of indeterminate length and composed of an indeterminate
number of turns. The structure illustrated in dashed lines
does not form part of the claimed design.

(56) **References Cited**

U.S. PATENT DOCUMENTS

1,574,223	A *	2/1926	Wilcox	220/490
D109,730	S *	5/1938	Powers	D6/504
4,065,084	A *	12/1977	Wiener	248/117.1
D289,121	S *	4/1987	Sasaki	D6/504

1 Claim, 4 Drawing Sheets



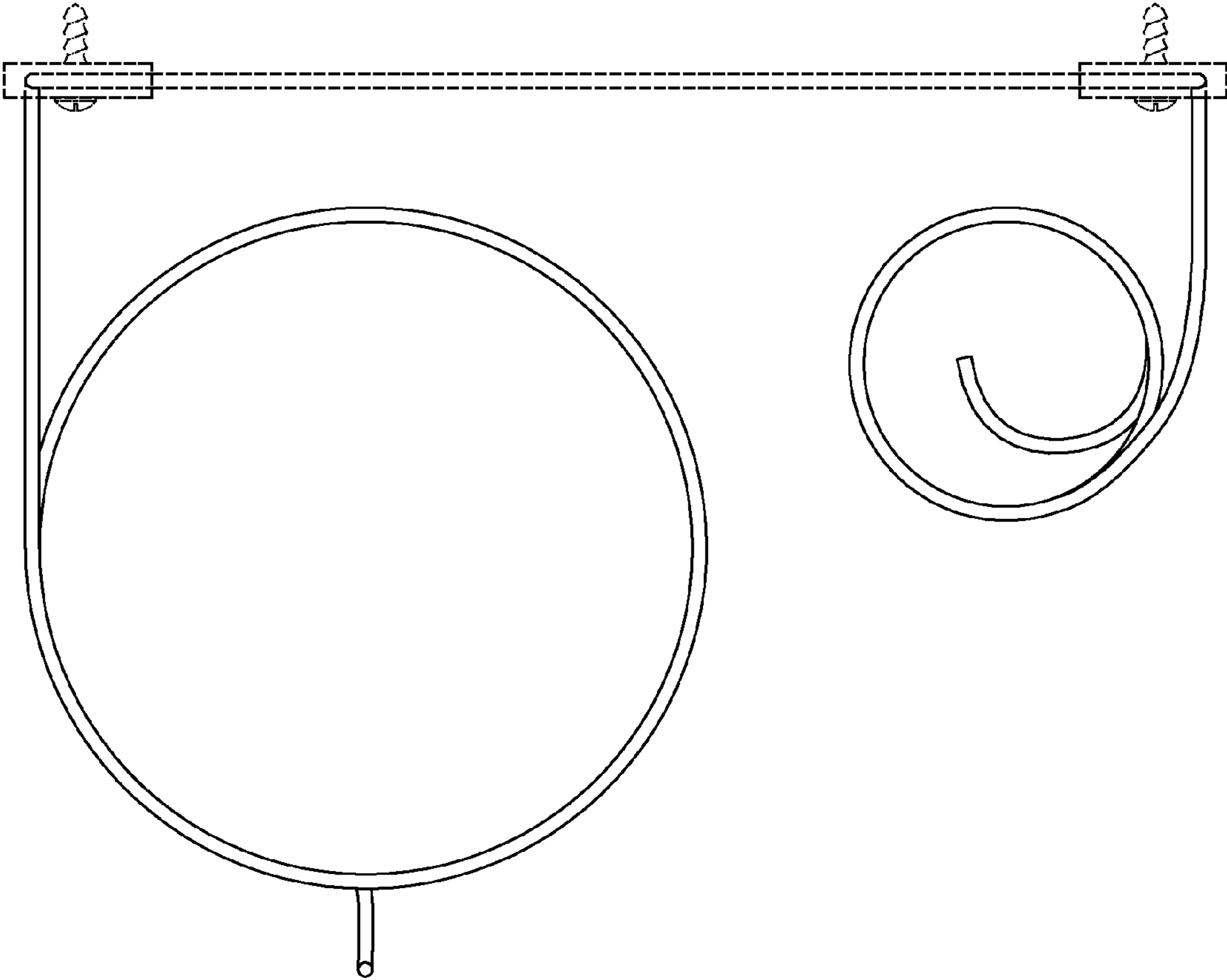


FIG. 1

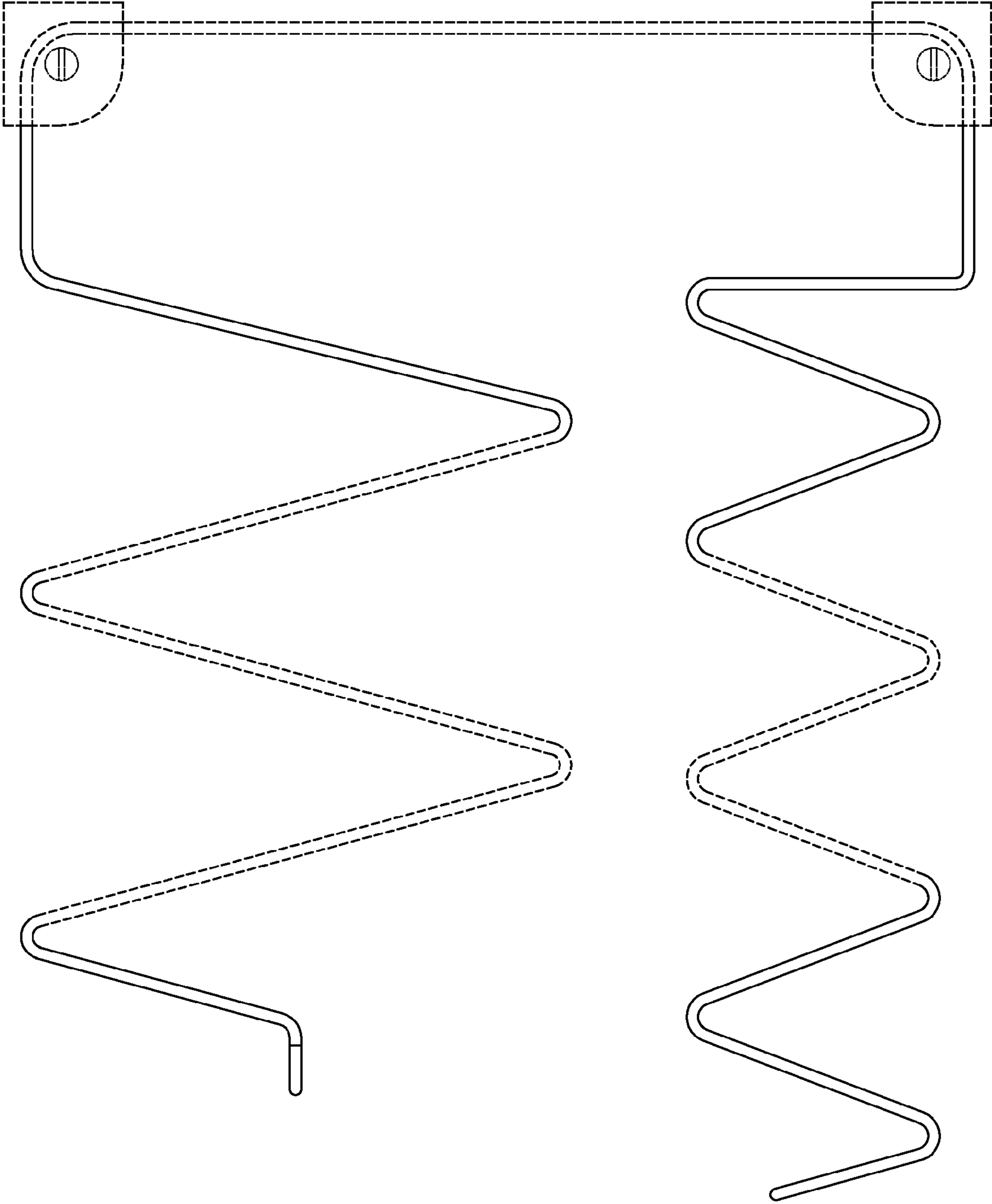


FIG. 2

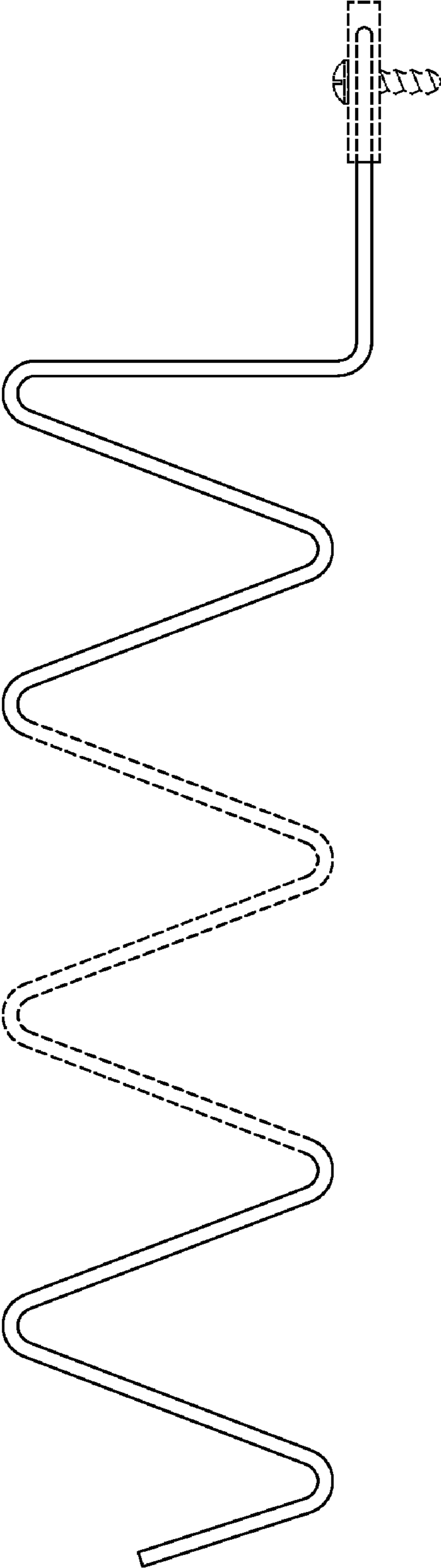


FIG. 3

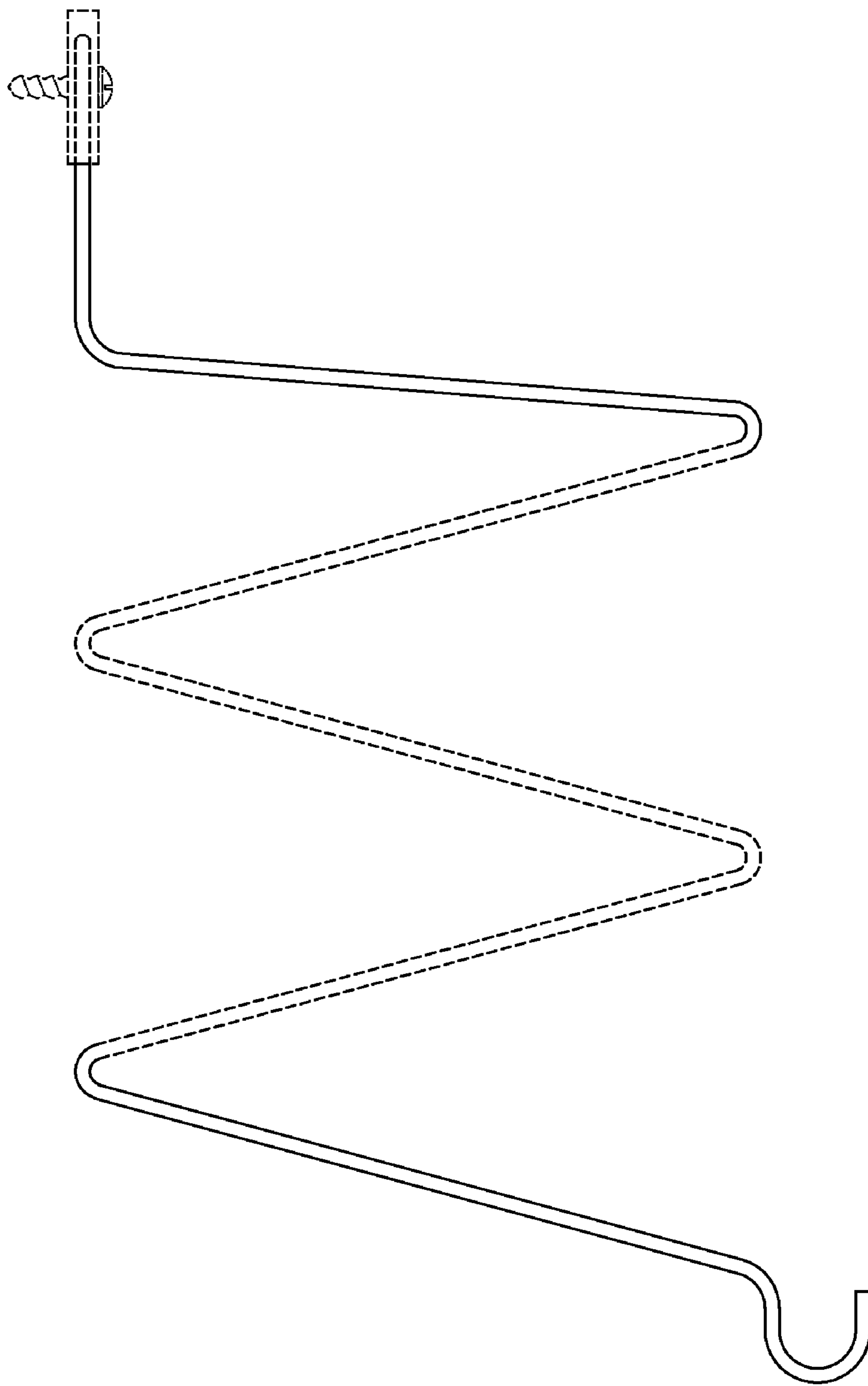


FIG. 4