



US00D558918S

(12) **United States Design Patent**
Rhodes

(10) **Patent No.:** **US D558,918 S**
(45) **Date of Patent:** **** *Jan. 1, 2008**

(54) **LIGHT FIXTURE**

(75) Inventor: **Nancy Rhodes**, Charleston, SC (US)

(73) Assignee: **Quoizel, Inc.**, Goose Creek, SC (US)

(**) Term: **14 Years**

(21) Appl. No.: **29/198,008**

(22) Filed: **Jan. 23, 2004**

(51) **LOC (8) Cl.** **26-99**

(52) **U.S. Cl.** **D26/145; D26/92**

(58) **Field of Classification Search** D26/72,
D26/80, 92, 85-87, 145, 155; 362/147, 432
See application file for complete search history.

(56) **References Cited**

U.S. PATENT DOCUMENTS

| | | | |
|------------------|--------|-----------------------|---------|
| D395,729 S * | 6/1998 | Littman et al. | D26/87 |
| D454,975 S * | 3/2002 | De'Armond et al. | D26/155 |
| D492,442 S * | 6/2004 | Hoernig | D26/92 |
| D517,238 S | 3/2006 | Rhodes | |
| 2002/0136002 A1* | 9/2002 | Hoernig | 362/147 |

OTHER PUBLICATIONS

"Olympia" Collection Wall Mount #96319 from lampsplus.com. (1 page) Found online Sep. 1, 2004.*
 "Beauvoir," Quoizel catalog entitled *Quoizel A Tradition of Excellence . . . since 1930*, 2003 Catalog, p. 96, 2003.
 "Biscayne," Quoizel catalog entitled *Quoizel A Tradition of Excellence . . . since 1930*, 2003 Catalog, p. 96, 2003.
 "Fairmont," Quoizel catalog entitled *Quoizel A Tradition of Excellence . . . since 1930*, 2003 Catalog, p. 97, 2003.
 "Encanto," Quoizel catalog entitled *Quoizel A Tradition of Excellence . . . since 1930*, 2003 Catalog, p. 170, 2003.

"Selina," Quoizel catalog entitled *Quoizel A Tradition of Excellence . . . since 1930*, 2003 Catalog, p. 185, 2003.
 Applicant's co-pending U.S. Appl. No. 29/197,962, filed Jan. 22, 2004.

* cited by examiner

Primary Examiner—Clare E Heflin

(74) *Attorney, Agent, or Firm*—Nelson Mullins Riley & Scarborough LLP

(57) **CLAIM**

The ornamental design of a light fixture, substantially as shown and described.

DESCRIPTION

FIG. 1 is a perspective view of the design of the present invention shown in a first environmental structure.

FIG. 2 is a front side elevational view of the design illustrated in FIG. 1.

FIG. 3 is a rear elevational view of the design illustrated in FIG. 1.

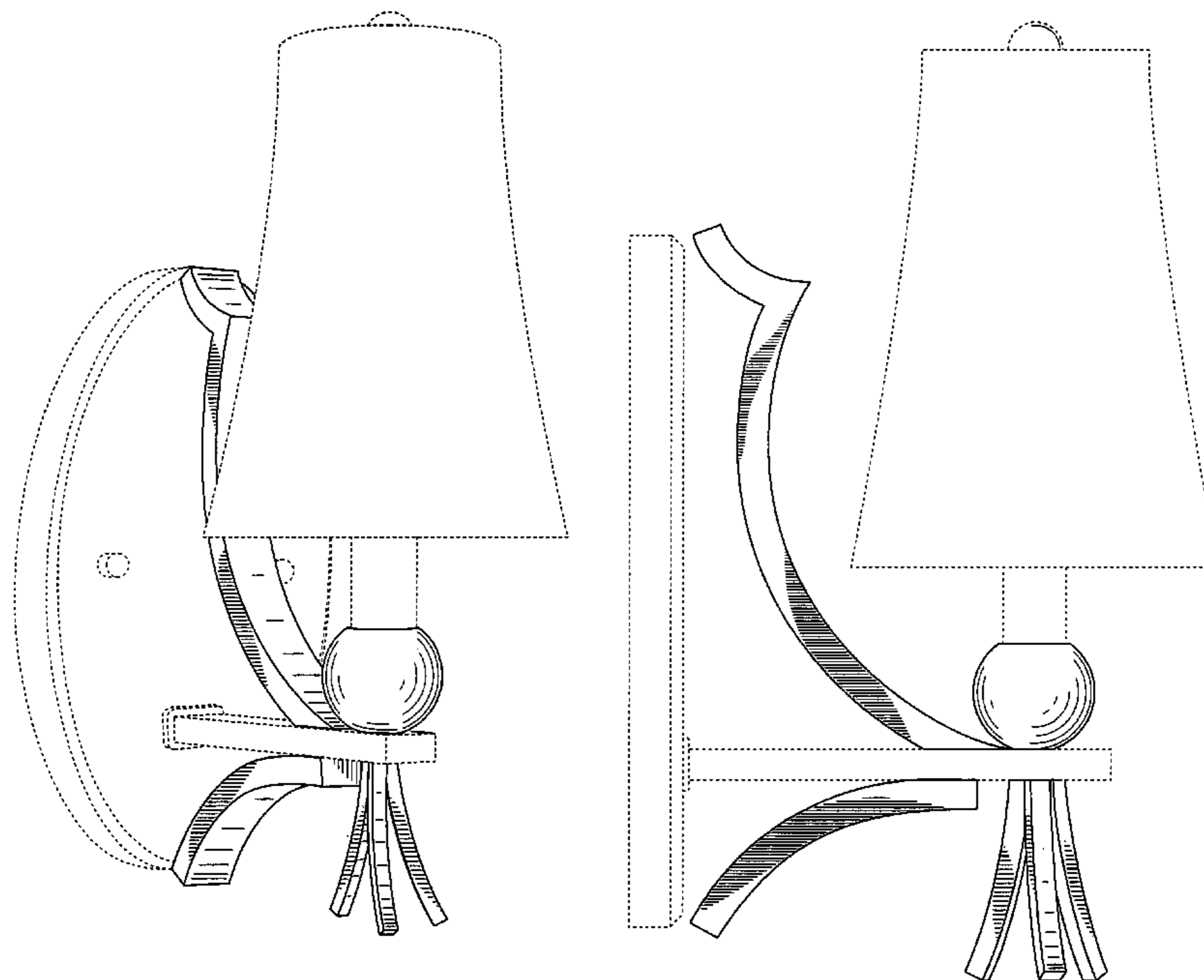
FIG. 4 is a left side elevational view of the design illustrated in FIG. 1.

FIG. 5 is a right side elevational view of the design illustrated in FIG. 1.

FIG. 6 is a top view of the design illustrated in FIG. 1; and, FIG. 7 is a bottom view of the design illustrated in FIG. 1.

The portions shown in broken lines do not form part of the claimed design.

1 Claim, 7 Drawing Sheets



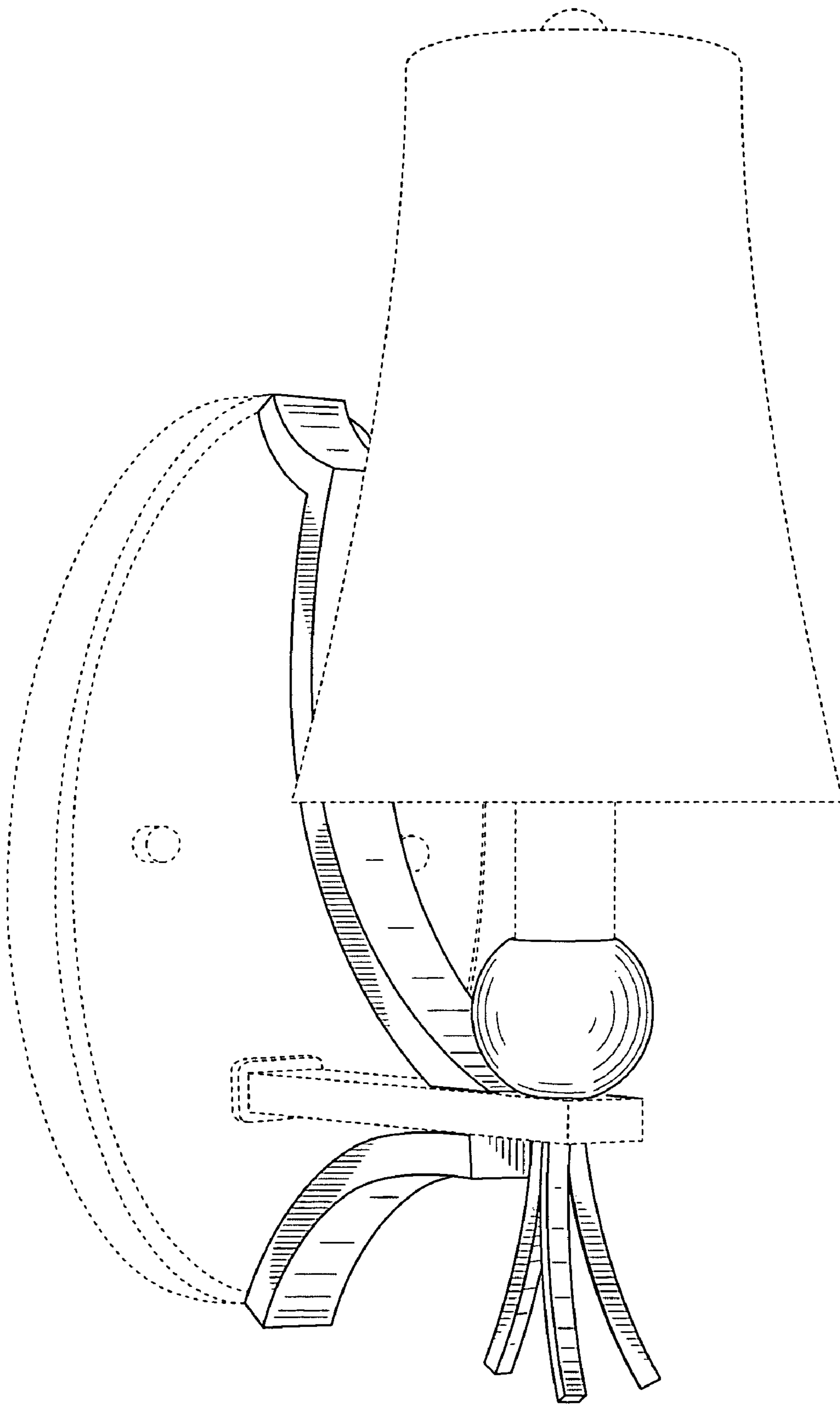


FIG. 1

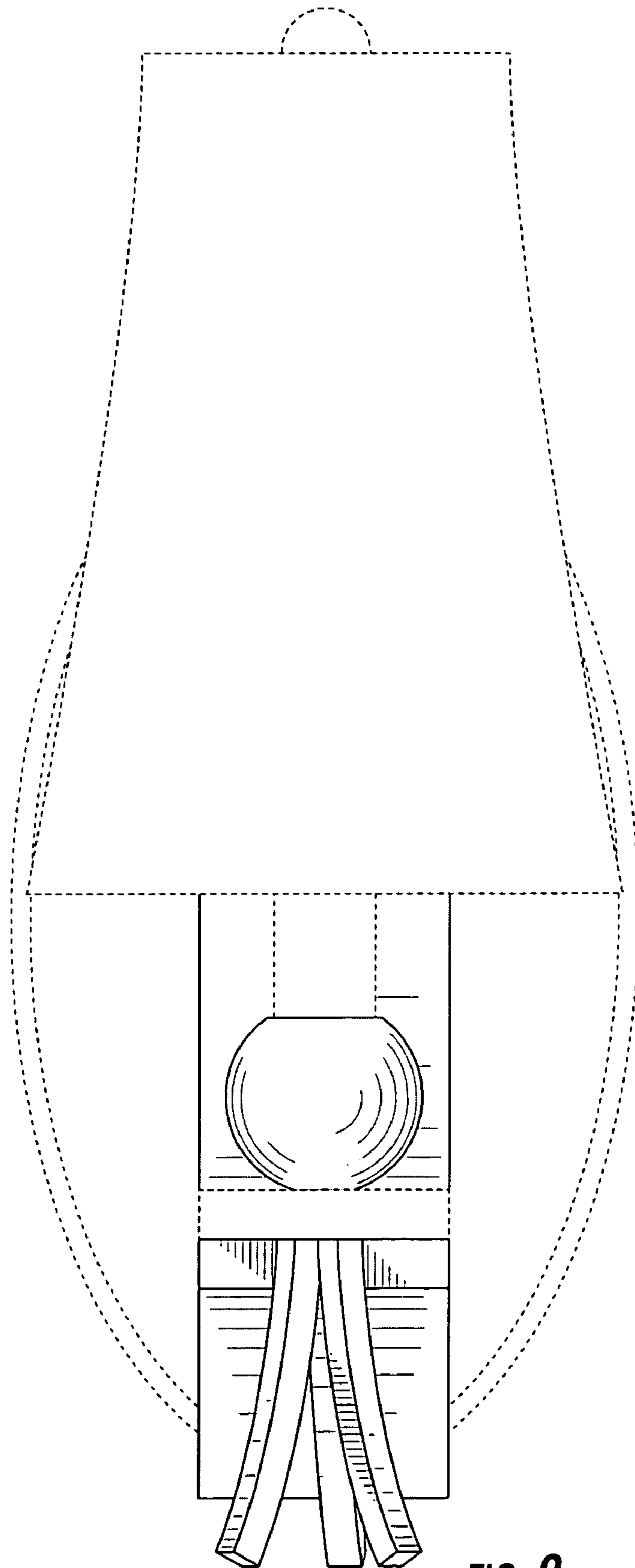


FIG. 2

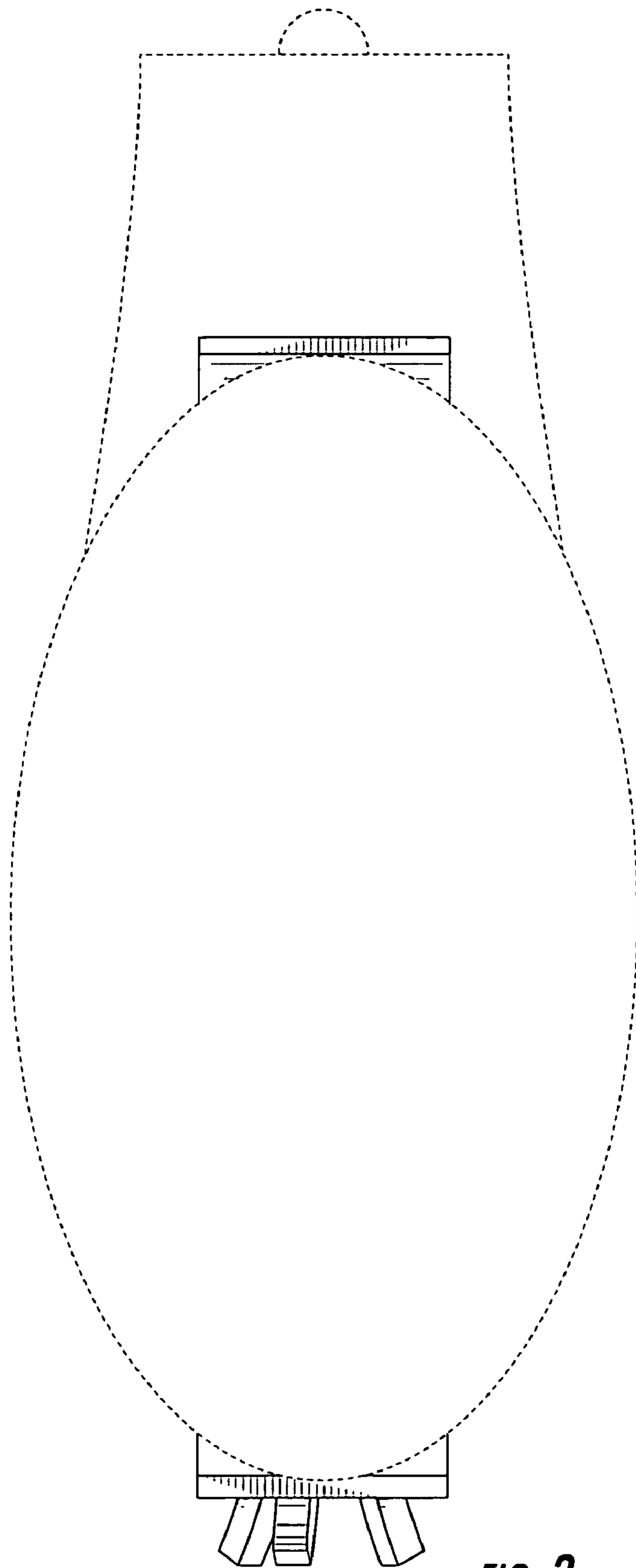


FIG. 3

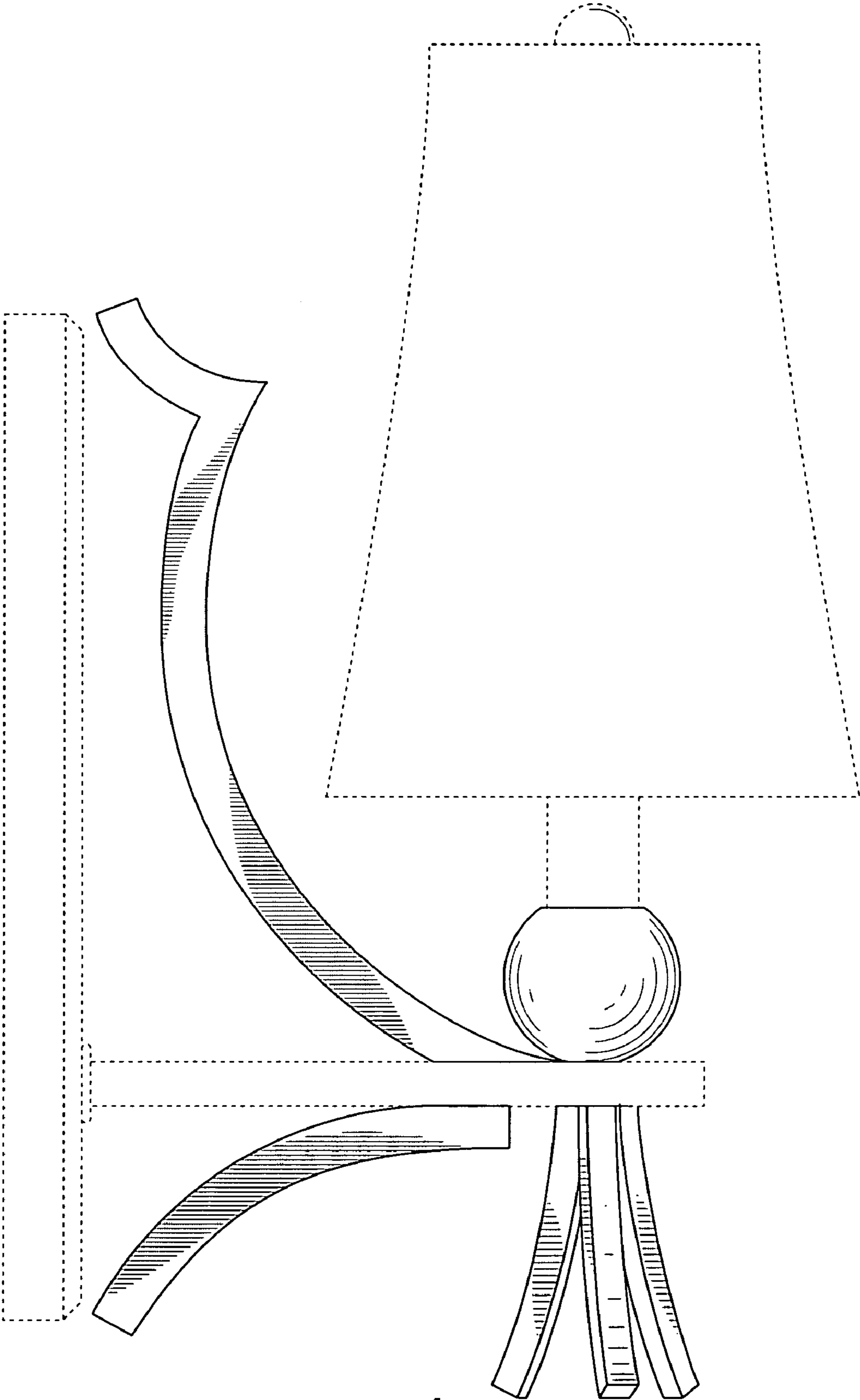


FIG. 4

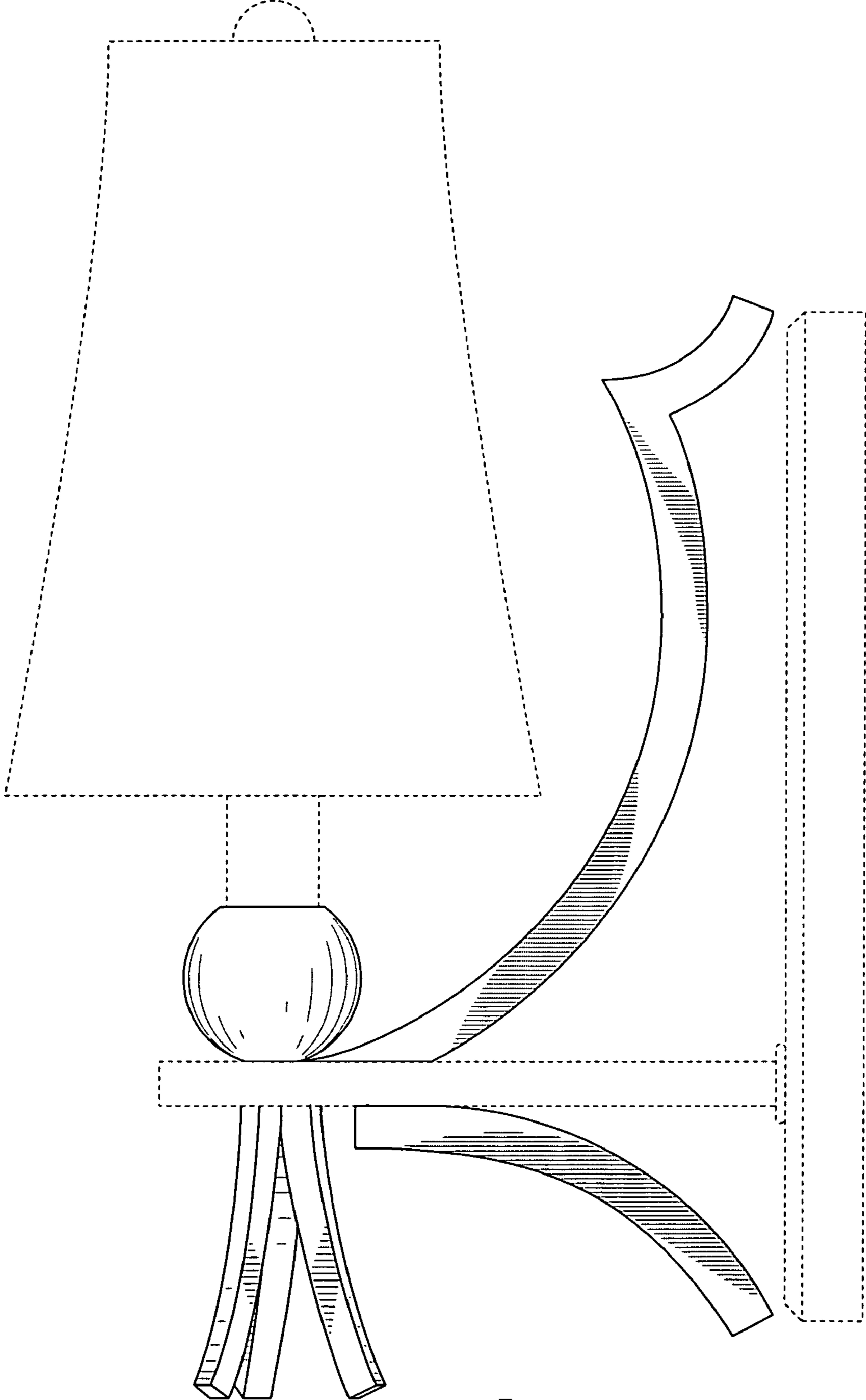


FIG. 5

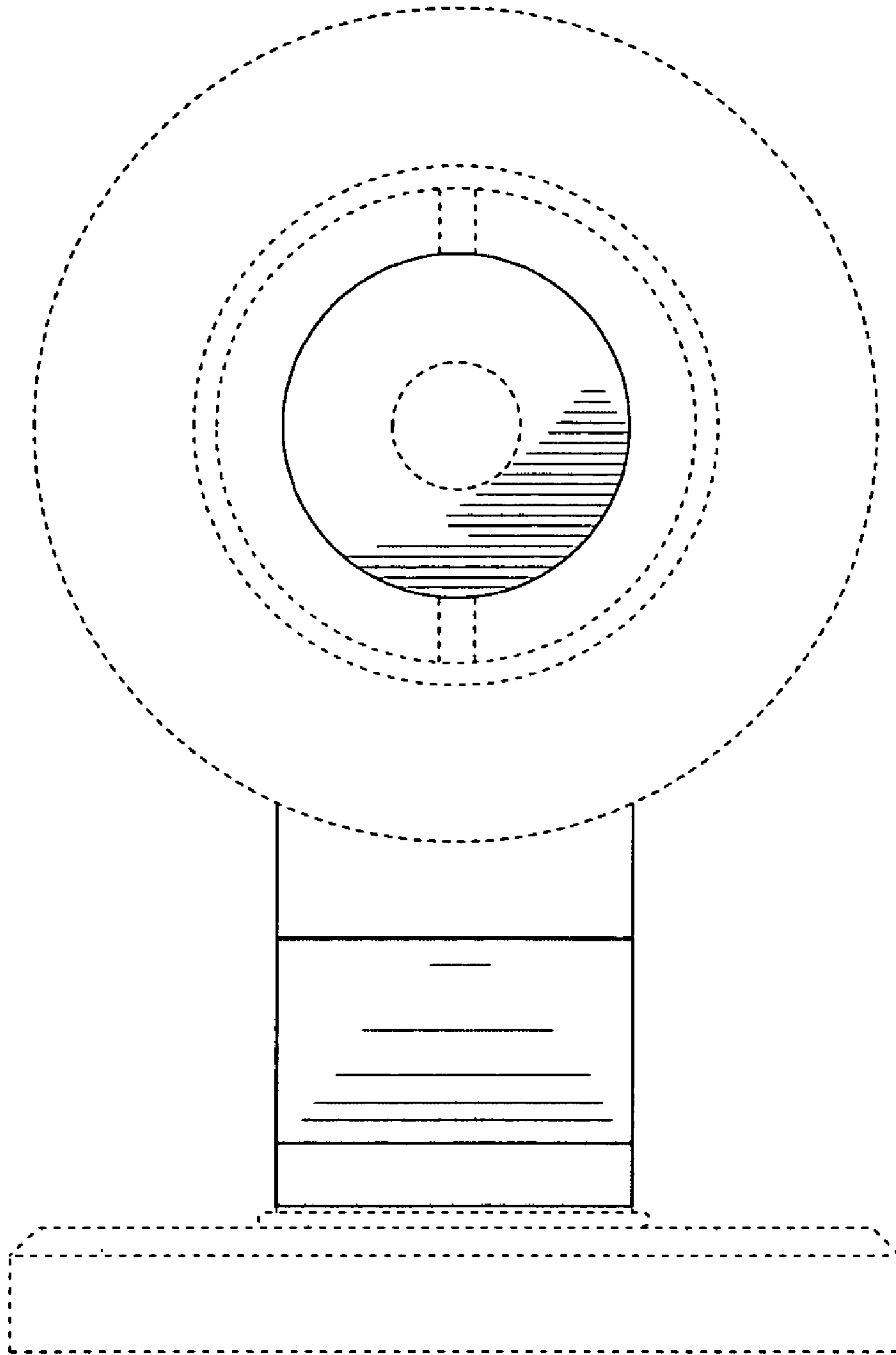


FIG. 6

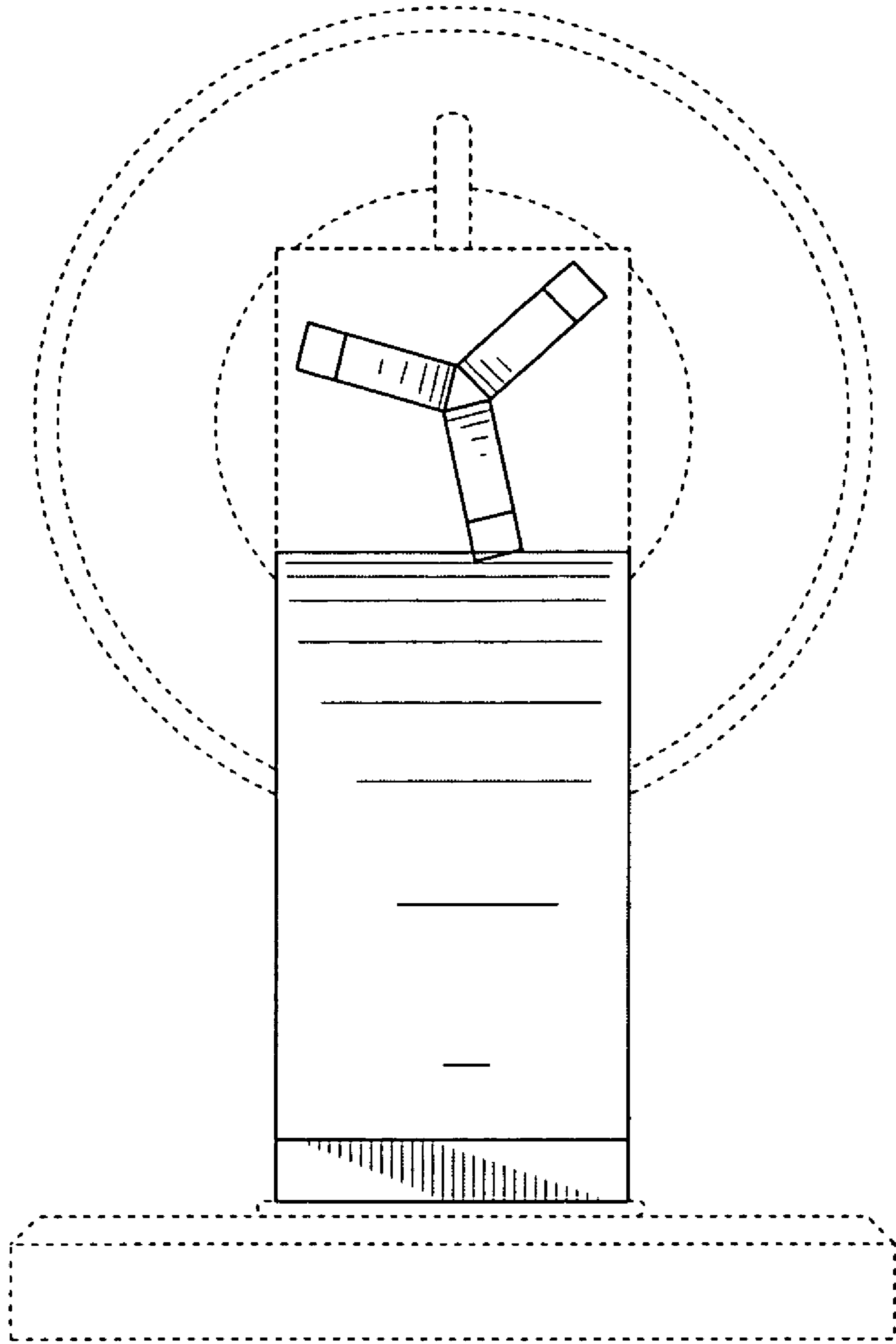


FIG. 7