



US00D558917S

(12) **United States Design Patent**
Kitagawa et al.

(10) **Patent No.:** **US D558,917 S**
(45) **Date of Patent:** **** Jan. 1, 2008**

(54) **BASE FOR FLUORESCENT LAMP**

5,551,643 A * 9/1996 Chapin 241/99

(75) Inventors: **Hiroki Kitagawa**, Kadoma (JP); **Shiro Iida**, Kadoma (JP)

(Continued)

(73) Assignee: **Matsushita Electric Industrial Co., Ltd.**, Osaka (JP)

FOREIGN PATENT DOCUMENTS

(**) Term: **14 Years**

JP D600082 5/1983
JP D1031414 2/1999

(21) Appl. No.: **29/286,914**

(22) Filed: **May 22, 2007**

OTHER PUBLICATIONS

(30) **Foreign Application Priority Data**

Mar. 13, 2007 (JP) 2007-006388

Kitagawa et al., U.S. Design Application entitled "Fluorescent Lamp," U.S. Appl. No. 29/286,897, filed May 22, 2007.
Kitagawa et al., U.S. Design Application entitled "Fluorescent Lamp," U.S. Appl. No. 29/286,924, filed May 22, 2007.
Kitagawa et al., U.S. Design Application entitled "Fluorescent Lamp," U.S. Appl. No. 29/286,968, filed May 24, 2007.

(51) **LOC (8) Cl.** **26-99**

(52) **U.S. Cl.** **D26/138**

(58) **Field of Classification Search** D26/1,
D26/2, 3, 26, 42, 72, 79, 113, 114, 118, 124,
D26/128, 131, 134, 138, 140, 141, 142, 143,
D26/152, 153; D13/136; 313/315; 362/373,
362/222, 217, 260, 247, 296, 341, 344, 347,
362/609, 614, 581, 516, 649

Primary Examiner—Freda S. Nunn

Assistant Examiner—Kevin K. Rudzinski

(74) *Attorney, Agent, or Firm*—Brinks Hofer Gilson & Lione

See application file for complete search history.

(56) **References Cited**

U.S. PATENT DOCUMENTS

2,153,366 A * 4/1939 Darley 439/239
2,227,739 A * 1/1941 Pollard 362/217
2,283,454 A * 5/1942 Osterloo 439/233
2,311,877 A * 2/1943 Schelgunov 439/231
2,488,677 A * 11/1949 McCann 439/243
2,499,677 A * 3/1950 Pearce 337/23
D210,289 S * 2/1968 Tecton D26/3
D214,911 S * 8/1969 Morgan D26/1
3,587,167 A * 6/1971 Levin 29/592.1
3,976,986 A * 8/1976 Zabroski 340/656
4,642,741 A * 2/1987 Cohn 362/320
4,695,768 A * 9/1987 Covington et al. 315/73
4,906,891 A * 3/1990 Takagi et al. 313/318.02
5,079,678 A * 1/1992 Parker 362/84
5,331,734 A * 7/1994 Hunt 29/874

(57) **CLAIM**

We claim the ornamental design for a base for fluorescent lamp, as shown and described.

DESCRIPTION

FIG. 1 is a front perspective view of a base for fluorescent lamp of the present invention;

FIG. 2 is a front view thereof;

FIG. 3 is a rear view thereof;

FIG. 4 is a first side view thereof;

FIG. 5 is a second side view thereof;

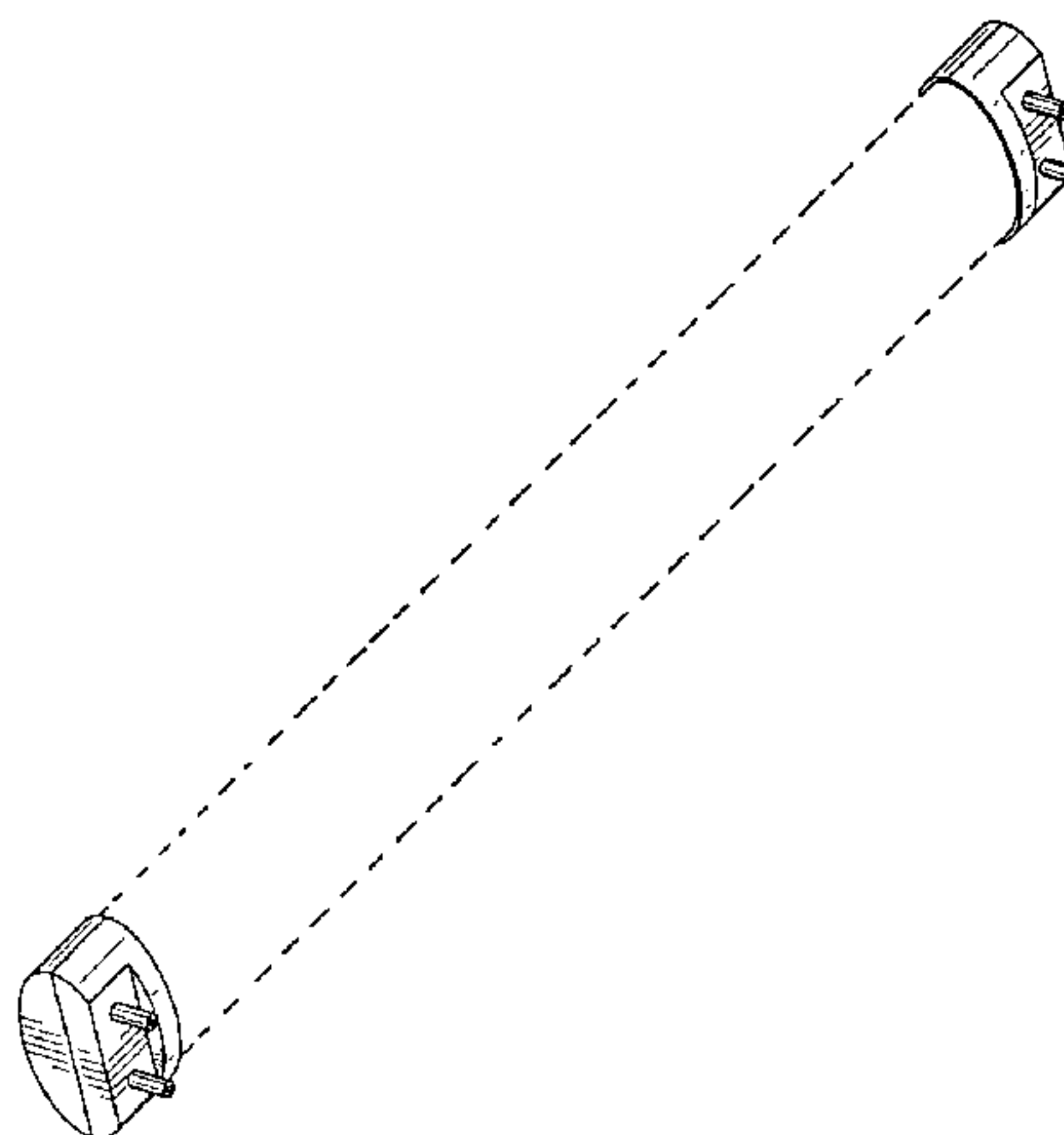
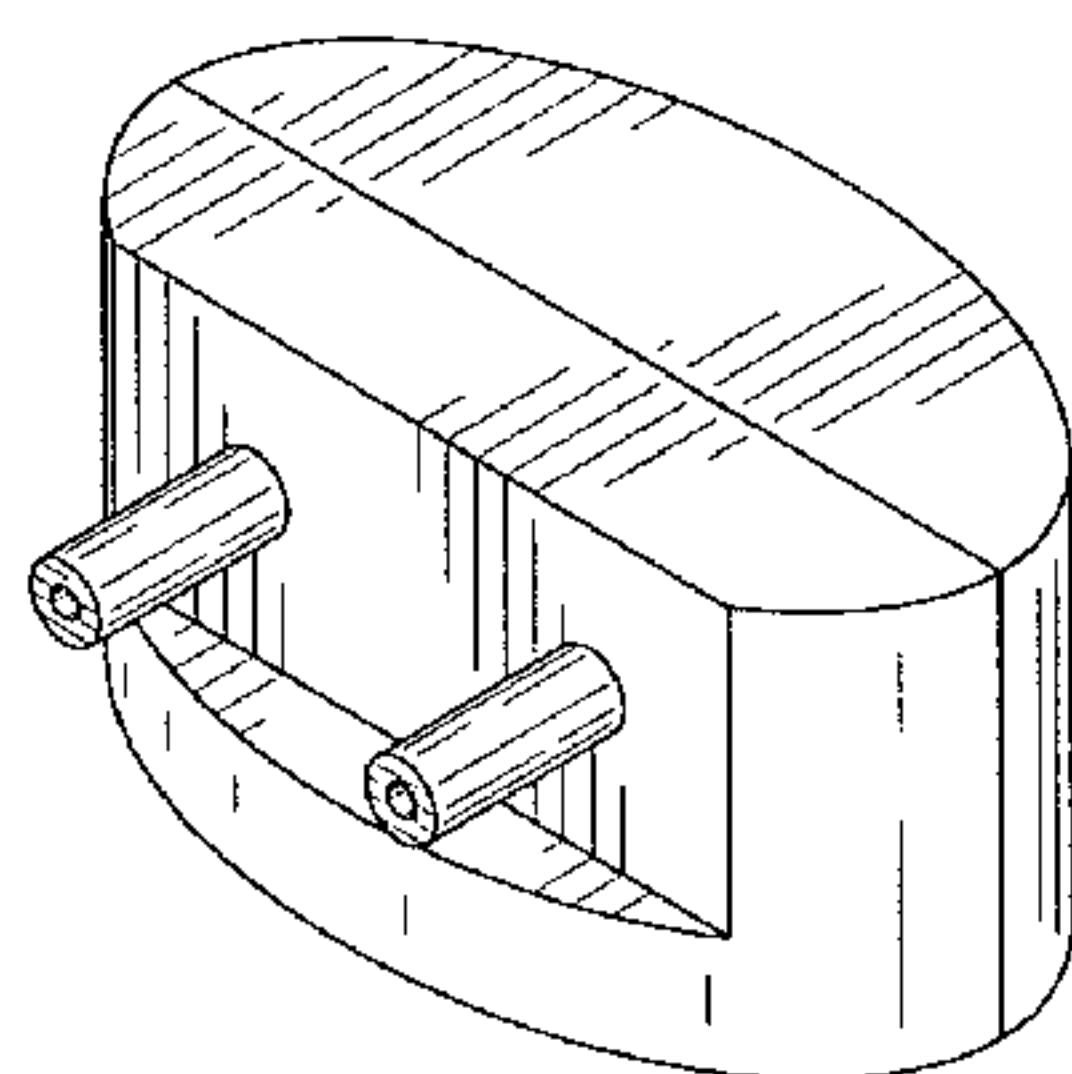
FIG. 6 is a top view thereof;

FIG. 7 is a bottom view thereof; and,

FIG. 8 is a perspective view of a second embodiment thereof shown in an environmental use.

The broken line showing of fluorescent lamp is included for the purpose of illustrating environment and forms no part of the claimed design.

1 Claim, 8 Drawing Sheets



US D558,917 S

Page 2

U.S. PATENT DOCUMENTS

| | | | | | | | | | | | |
|-----------|-----|---------|------------------|-------|---------|-----------|------|---------|-----------------|-------|---------|
| 5,768,663 | A * | 6/1998 | Lin | | 399/220 | D481,471 | S * | 10/2003 | Farmer | | D26/3 |
| D397,811 | S * | 9/1998 | Vakil | | D26/3 | 6,726,496 | B1 * | 4/2004 | Reich et al. | | 439/227 |
| 5,864,461 | A * | 1/1999 | Cho | | 361/674 | D506,274 | S | 6/2005 | Moriyama et al. | | |
| 5,904,415 | A * | 5/1999 | Robertson et al. | | 362/260 | D521,451 | S * | 5/2006 | Wiskerke | | D13/134 |
| D436,078 | S * | 1/2001 | Korte | | D13/134 | D528,229 | S * | 9/2006 | Kakuno et al. | | D26/2 |
| D465,038 | S | 10/2002 | Bragg et al. | | | D530,837 | S | 10/2006 | Loughrey et al. | | |

* cited by examiner

FIG. 1

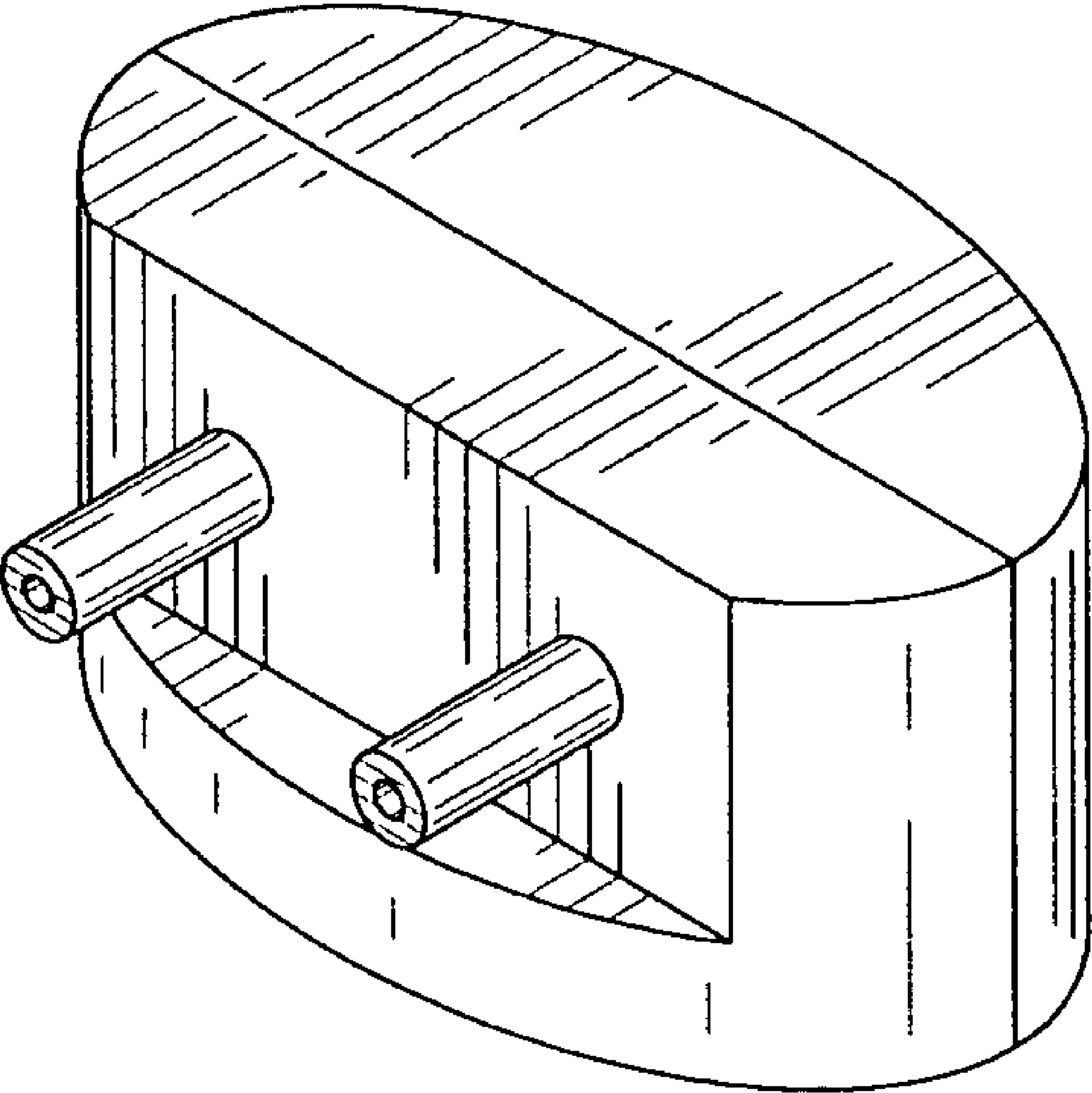


FIG. 2

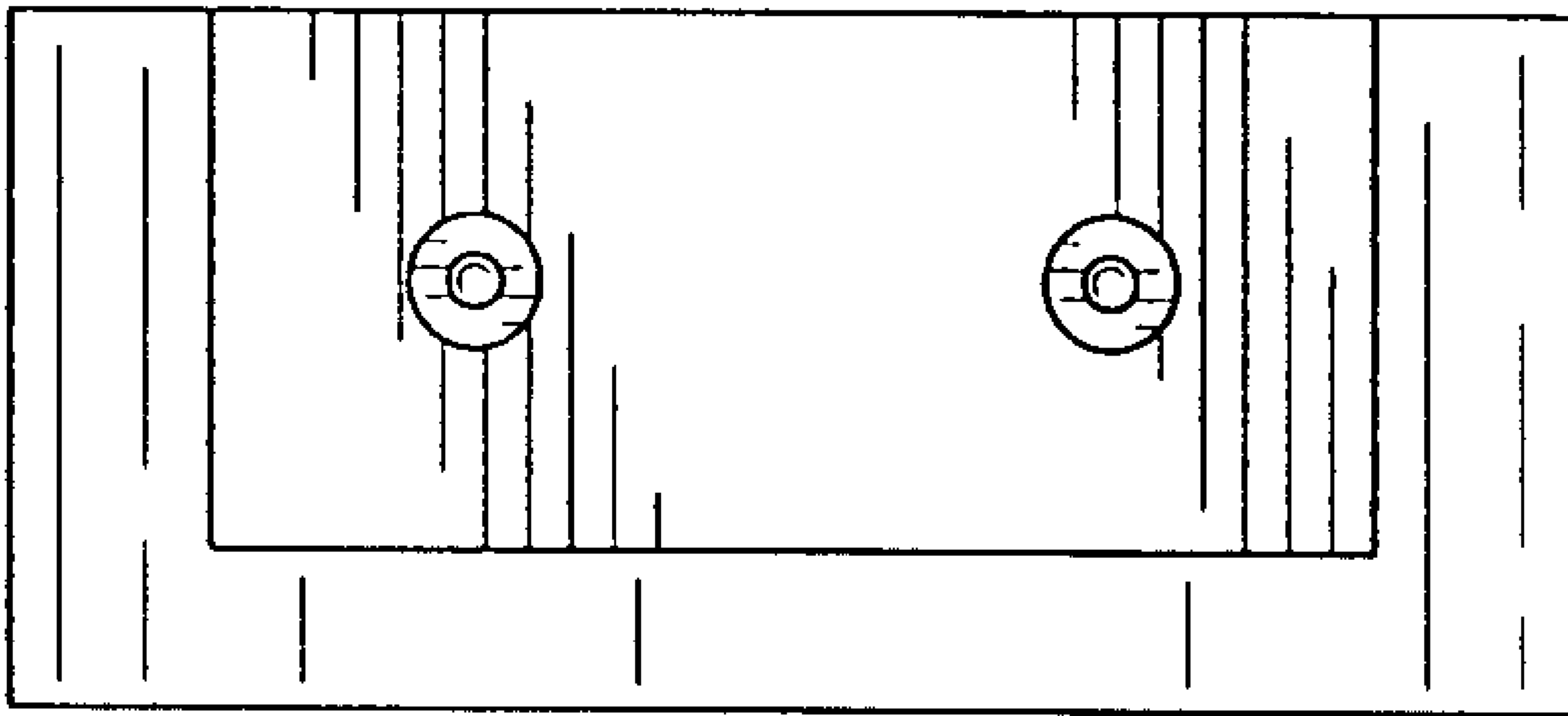


FIG. 3

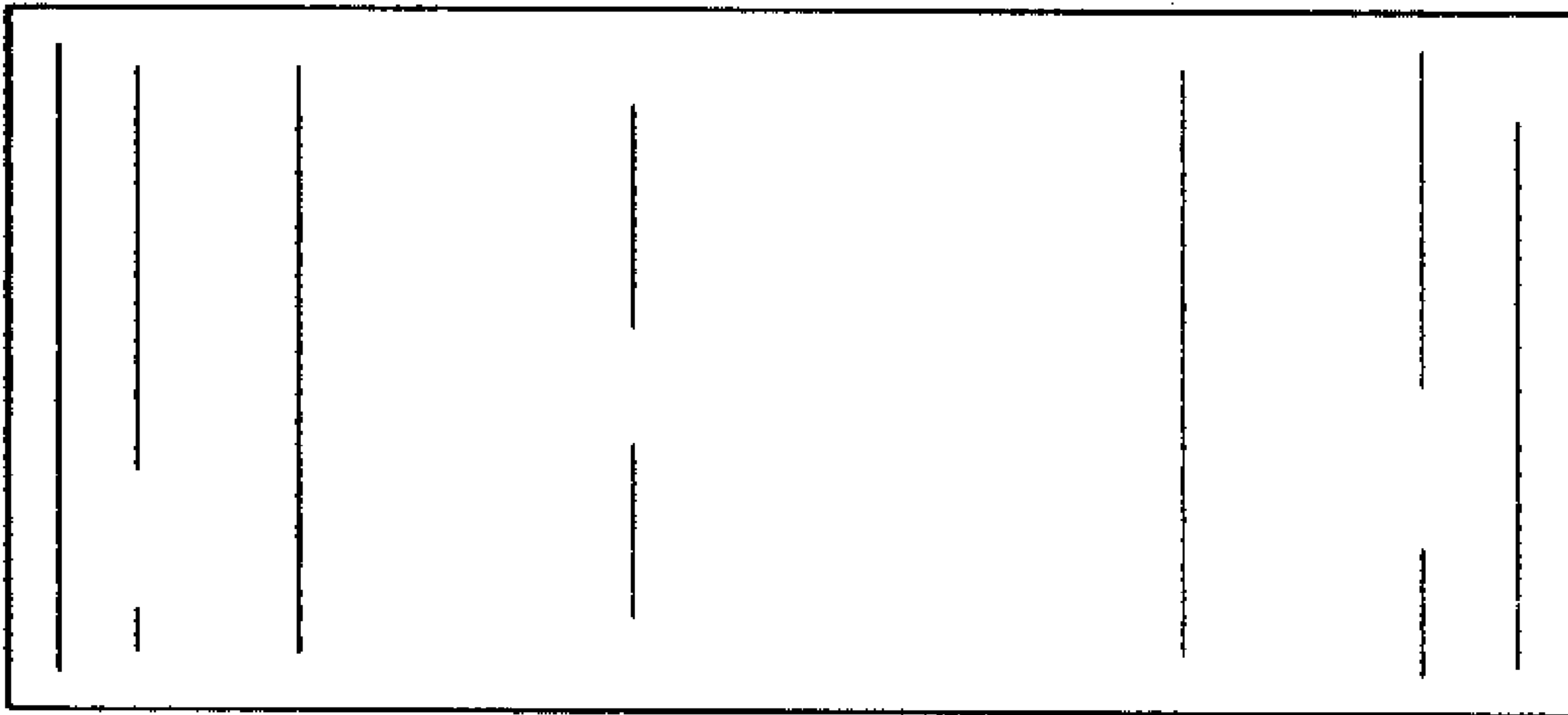


FIG. 4

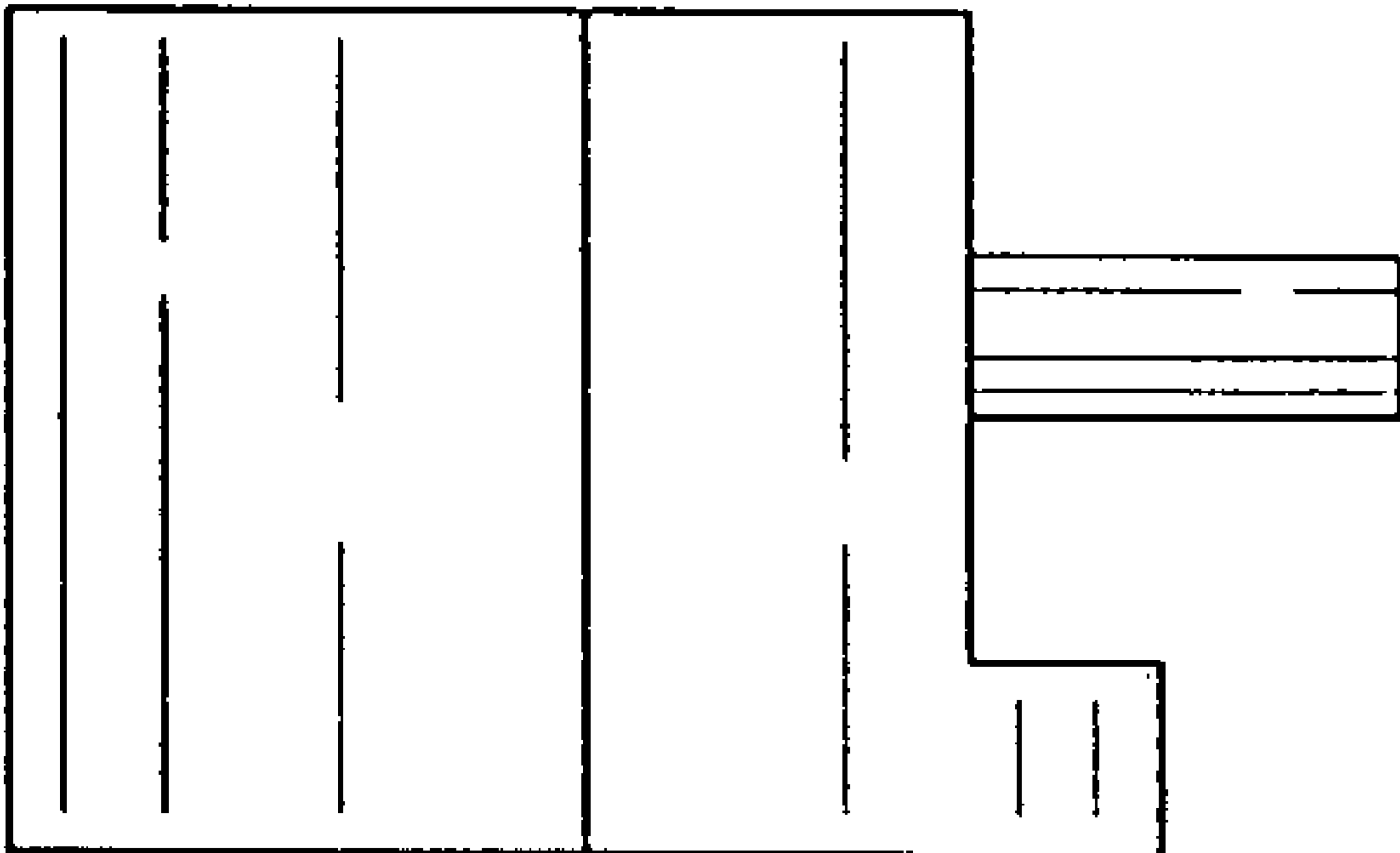


FIG. 5

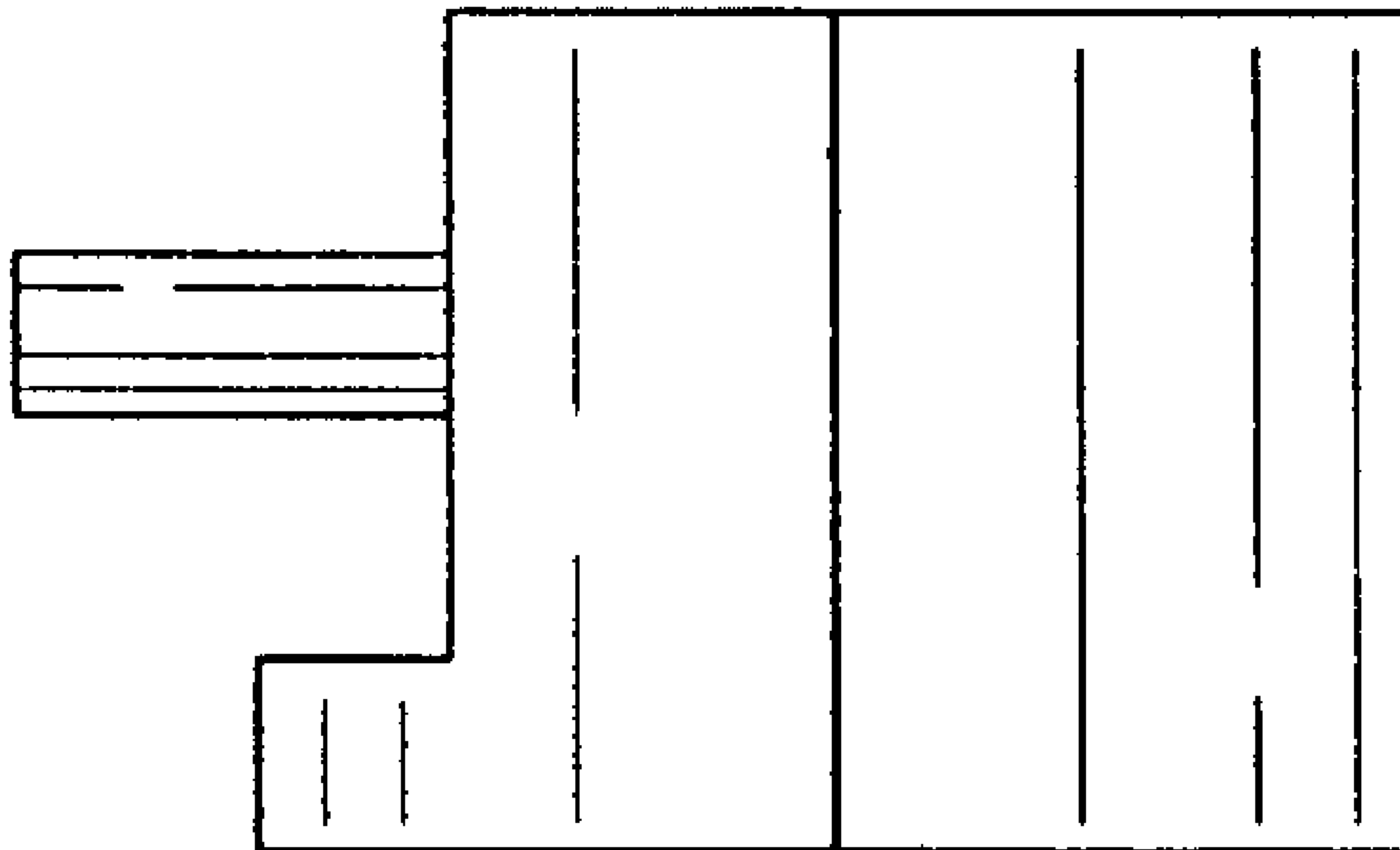


FIG. 6

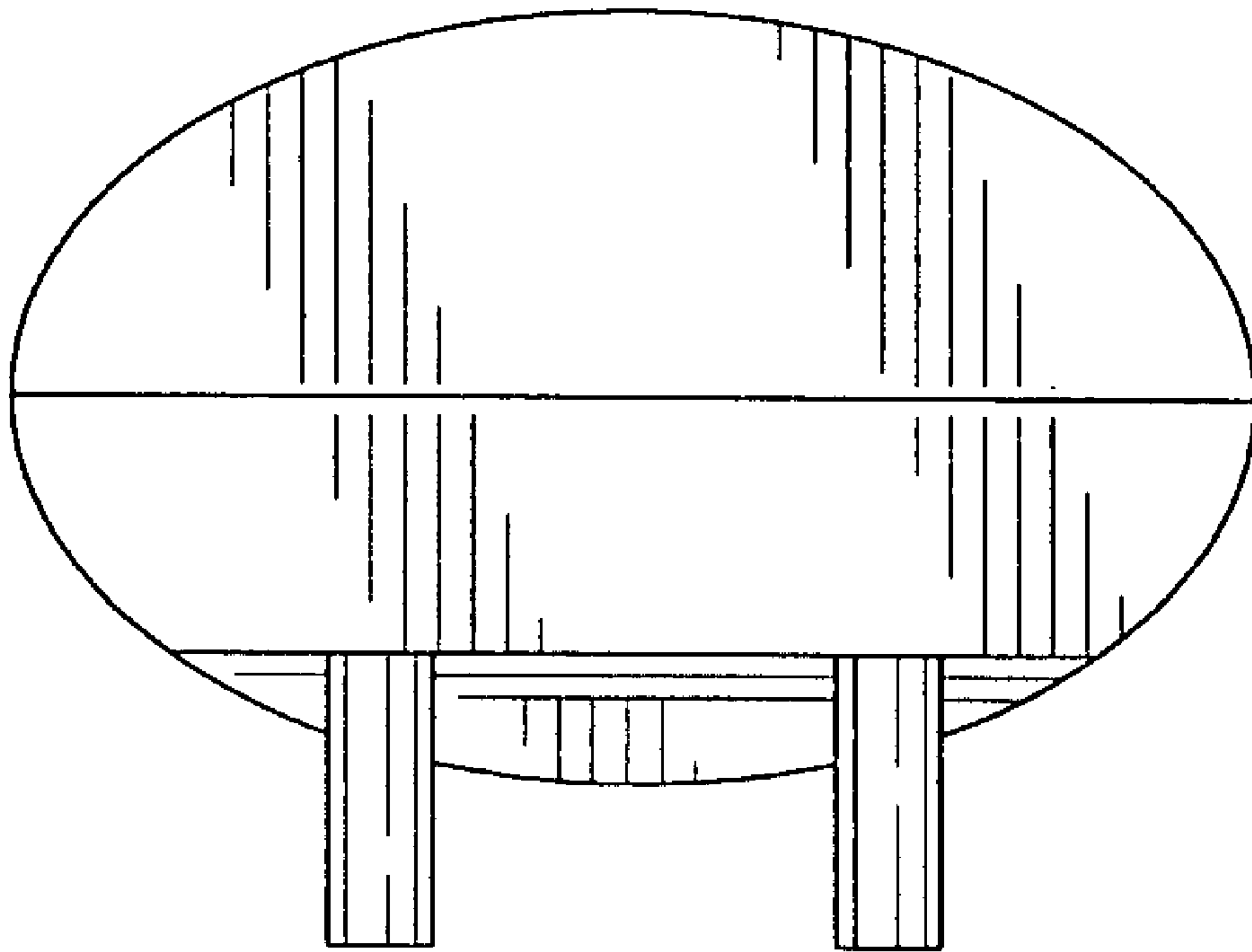


FIG. 7

