



US00D558916S

(12) **United States Design Patent**  
**Kitagawa et al.**

(10) **Patent No.:** **US D558,916 S**  
(45) **Date of Patent:** **\*\* Jan. 1, 2008**

(54) **BASE FOR FLUORESCENT LAMP**

5,551,643 A \* 9/1996 Chapin ..... 241/99

(75) Inventors: **Hiroki Kitagawa**, Kadoma (JP); **Shiro Iida**, Kadoma (JP)

(Continued)

**FOREIGN PATENT DOCUMENTS**

(73) Assignee: **Matsushita Electric Industrial Co., Ltd.**, Osaka (JP)

JP D600082 5/1983  
JP D 1031414 2/1999

**OTHER PUBLICATIONS**

(\*\*) Term: **14 Years**

Kitagawa et al., U.S. Design Application entitled "Fluorescent Lamp," U.S. Appl. No. 29/286,897, filed May 22, 2007.  
Kitagawa et al., U.S. Design Application entitled "Fluorescent Lamp," U.S. Appl. No. 29/286,924, filed May 22, 2007.  
Kitagawa et al., U.S. Design Application entitled "Fluorescent Lamp," U.S. Appl. No. 29/286,968, filed May 24, 2007.

(21) Appl. No.: **29/285,316**

(22) Filed: **Mar. 27, 2007**

(30) **Foreign Application Priority Data**

Sep. 27, 2006 (JP) ..... 2006-025931

*Primary Examiner*—Freda S. Nunn

*Assistant Examiner*—Kevin K. Rudzinski

(51) **LOC (8) Cl.** ..... **26-99**

(52) **U.S. Cl.** ..... **D26/138**

(58) **Field of Classification Search** ..... D26/1,  
D26/2, 3, 26, 42, 72, 79, 113, 114, 118, 124,  
D26/128, 131, 134, 138, 140, 141, 142, 143,  
D26/152, 153; D13/136; 313/315; 362/373,  
362/222, 217, 260, 247, 296, 341, 344, 347,  
362/609, 614, 581, 516, 649

(74) *Attorney, Agent, or Firm*—Brinks Hofer Gilson & Lione

See application file for complete search history.

(57) **CLAIM**

We claim the ornamental design for a base for fluorescent lamp, as shown and described.

(56) **References Cited**

**U.S. PATENT DOCUMENTS**

2,153,366 A \* 4/1939 Darley ..... 439/239  
2,227,739 A \* 1/1941 Pollard ..... 362/217  
2,283,454 A \* 5/1942 Osterloo ..... 439/233  
2,311,877 A \* 2/1943 Schelgunov ..... 439/231  
2,488,677 A \* 11/1949 McCann ..... 439/243  
2,499,677 A \* 3/1950 Pearce ..... 337/23  
D210,289 S \* 2/1968 Tecton ..... D26/3  
D214,911 S \* 8/1969 Morgan ..... D26/1  
3,587,167 A \* 6/1971 Levin ..... 29/592.1  
3,976,986 A \* 8/1976 Zabroski ..... 340/656  
4,642,741 A \* 2/1987 Cohn ..... 362/320  
4,695,768 A \* 9/1987 Covington et al. .... 315/73  
4,906,891 A \* 3/1990 Takagi et al. .... 313/318.02  
5,079,678 A \* 1/1992 Parker ..... 362/84  
5,331,734 A \* 7/1994 Hunt ..... 29/874

**DESCRIPTION**

FIG. 1 is a top perspective view of a base for fluorescent lamp of the present invention;

FIG. 2 is a front view thereof;

FIG. 3 is a rear view thereof;

FIG. 4 is a first side view thereof;

FIG. 5 is a second side view thereof;

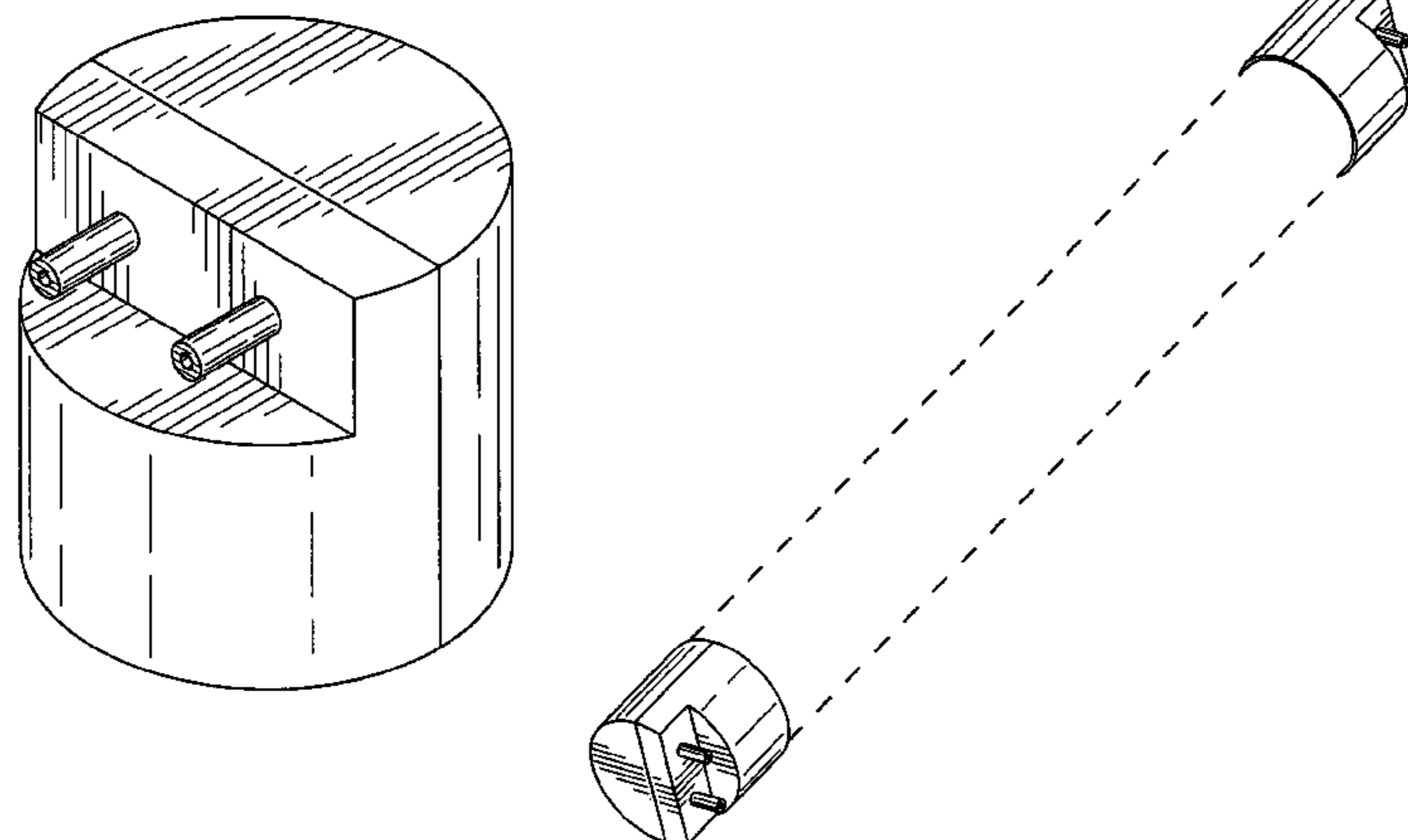
FIG. 6 is a top view thereof;

FIG. 7 is a bottom view thereof; and,

FIG. 8 is a perspective view of a second embodiment thereof shown in an environmental use.

The broken line showing of fluorescent lamp is included for the purpose of illustrating environment and forms no part of the claimed design.

**1 Claim, 8 Drawing Sheets**



# US D558,916 S

Page 2

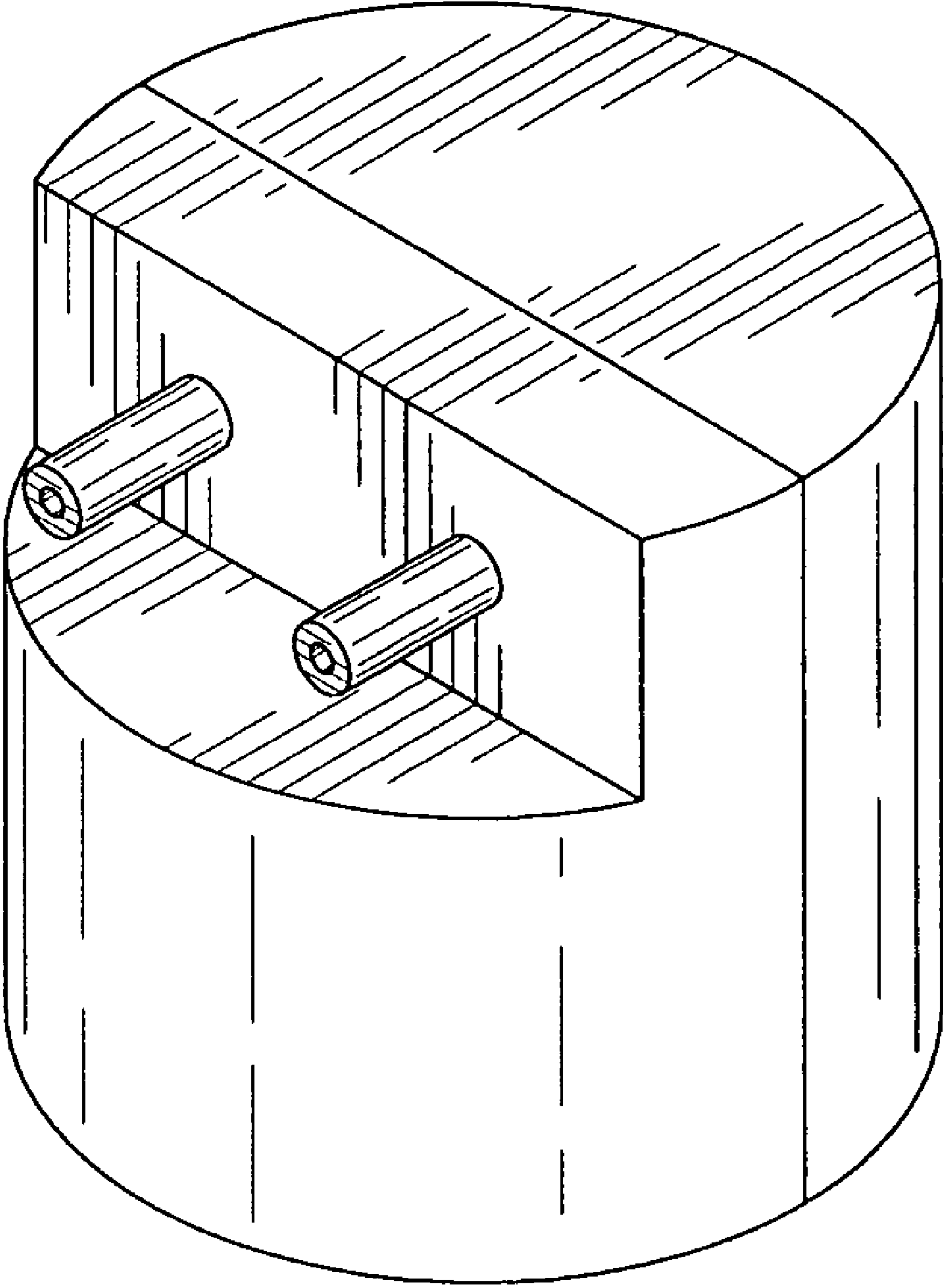
---

## U.S. PATENT DOCUMENTS

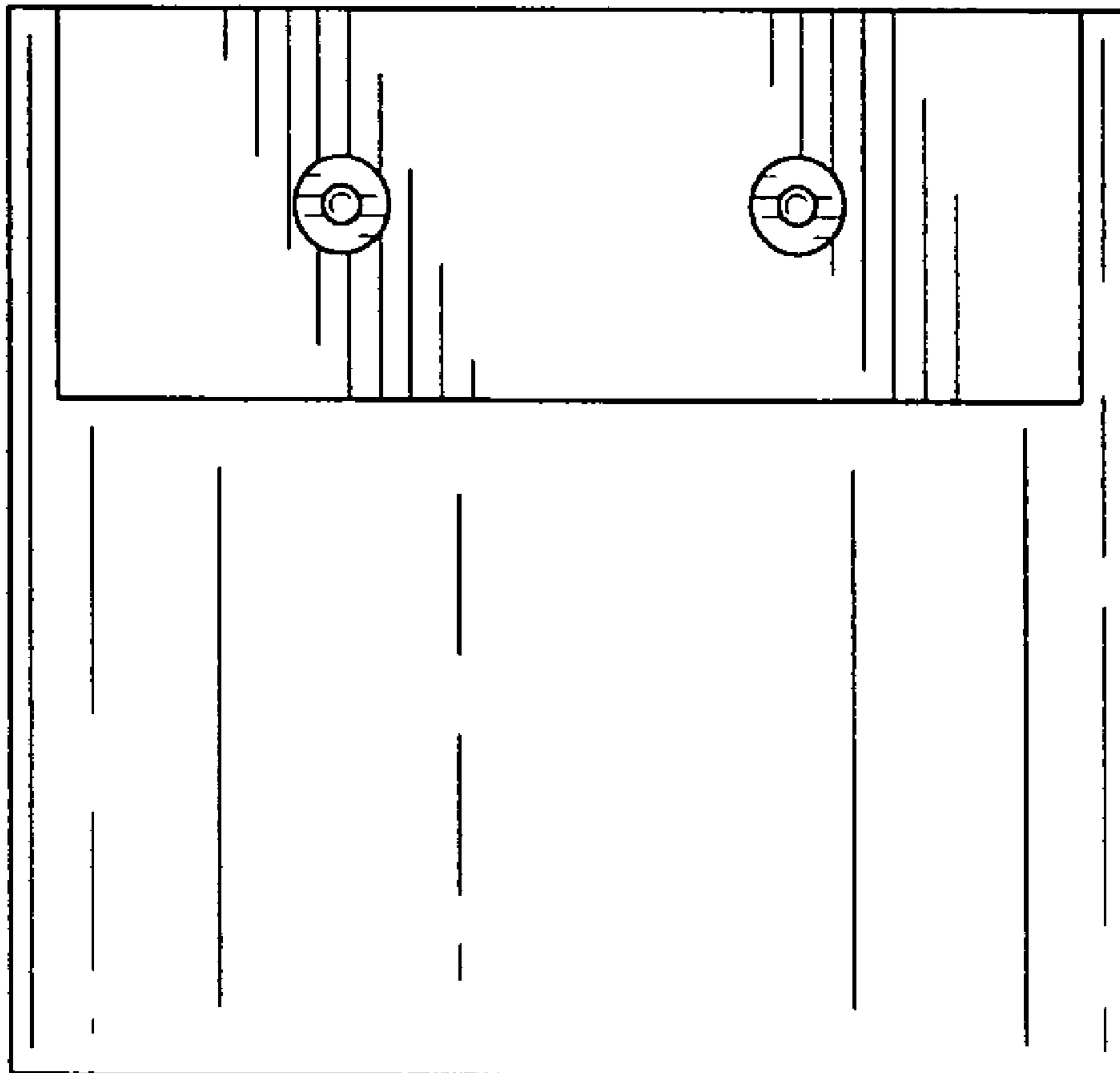
5,768,663	A *	6/1998	Lin	.....	399/220				
D397,811	S *	9/1998	Vakil	.....	D26/3				
5,864,461	A *	1/1999	Cho	.....	361/674				
5,904,415	A *	5/1999	Robertson et al.	.....	362/260				
D436,078	S *	1/2001	Korte	.....	D13/134				
D465,038	S	10/2002	Bragg et al.						
D481,471	S *	10/2003	Farmer	.....	D26/3				
6,726,496	B1 *	4/2004	Reich et al.	.....	439/227				
D506,274	S	6/2005	Moriyama et al.						
D521,451	S *	5/2006	Wiskerke	.....	D13/134				
D528,229	S *	9/2006	Kakuno et al.	.....	D26/2				
D530,837	S	10/2006	Loughrey et al.						

\* cited by examiner

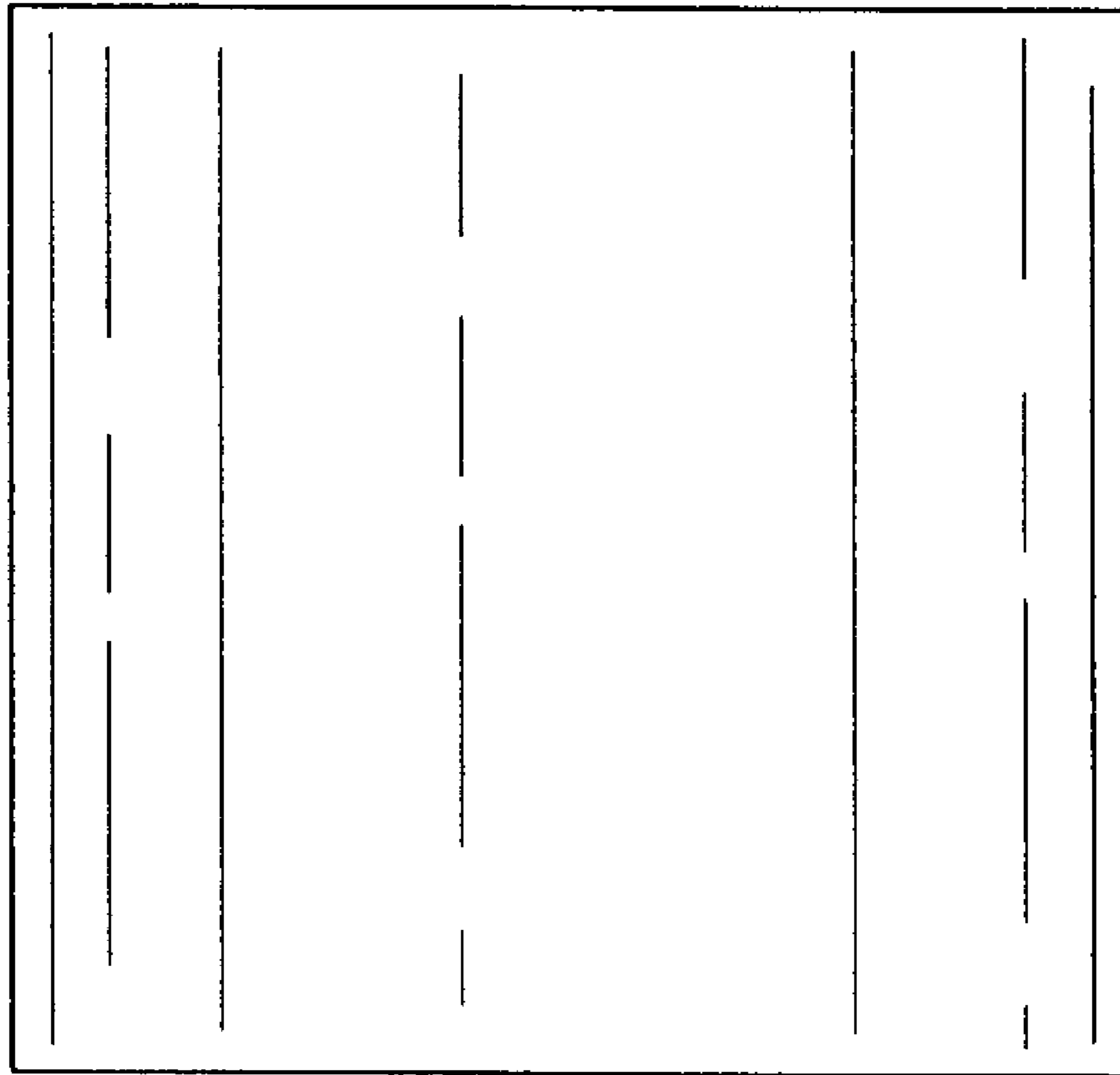
*FIG. 1*



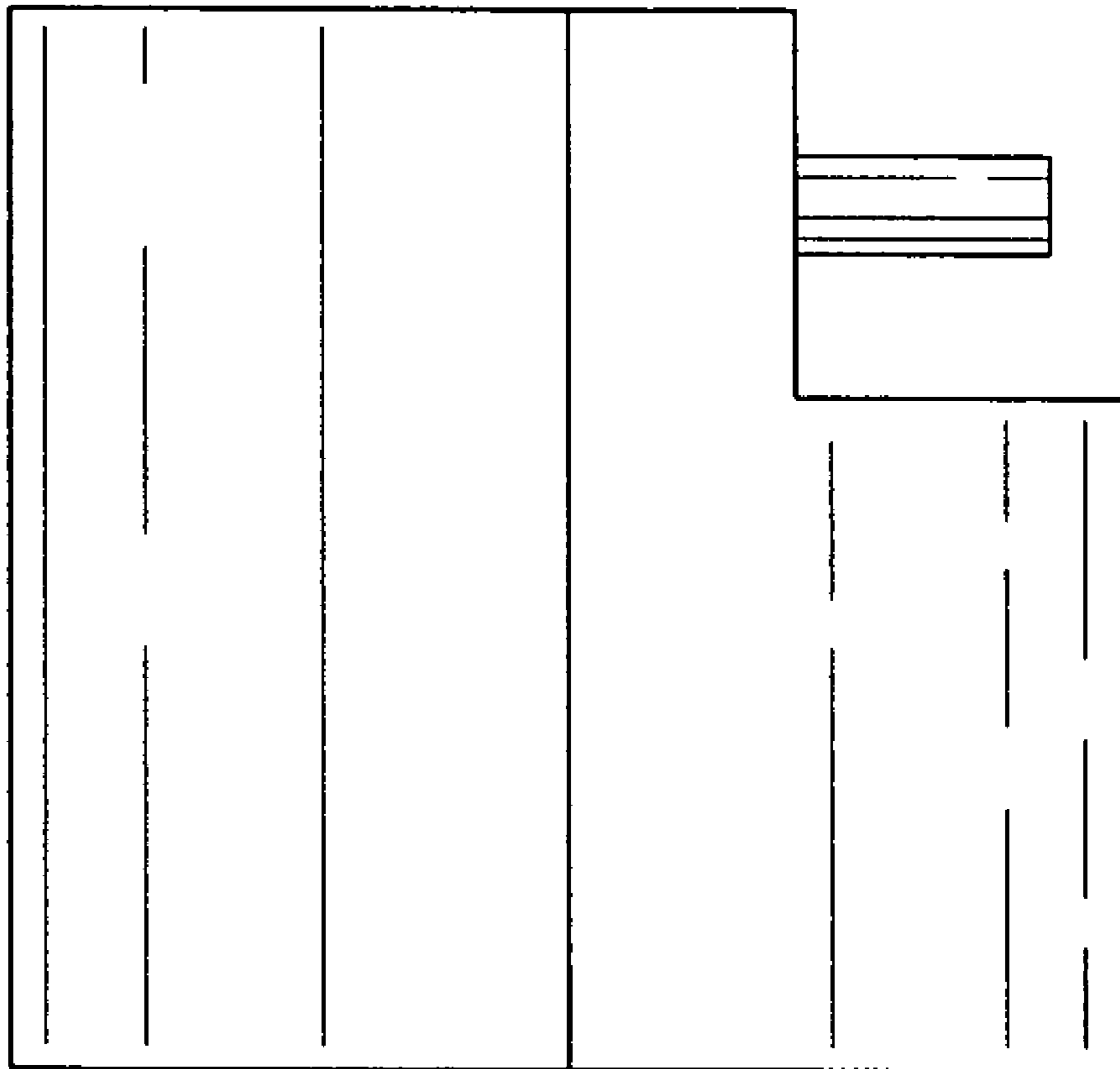
*FIG. 2*



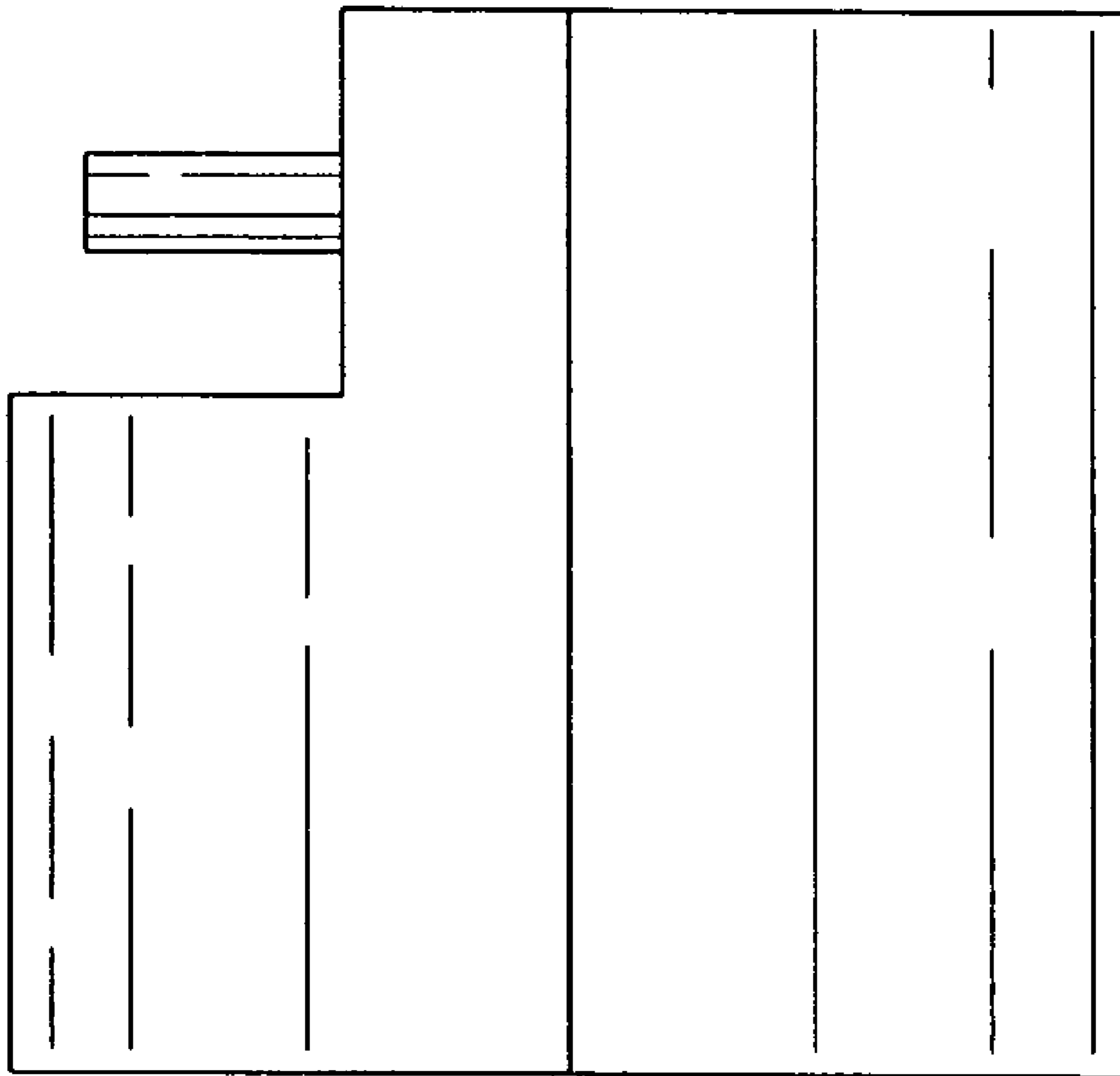
*FIG. 3*



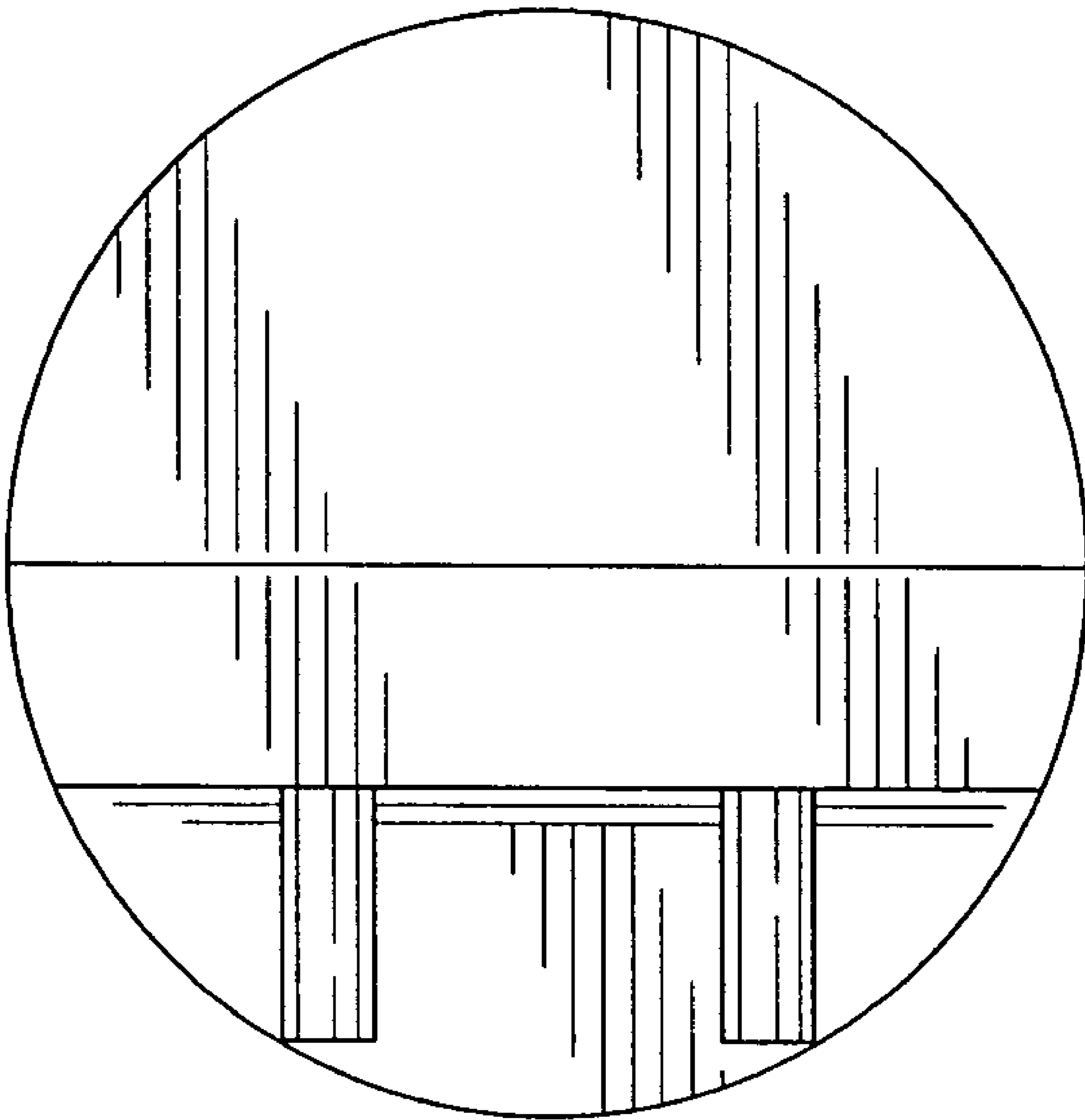
*FIG. 4*



*FIG. 5*

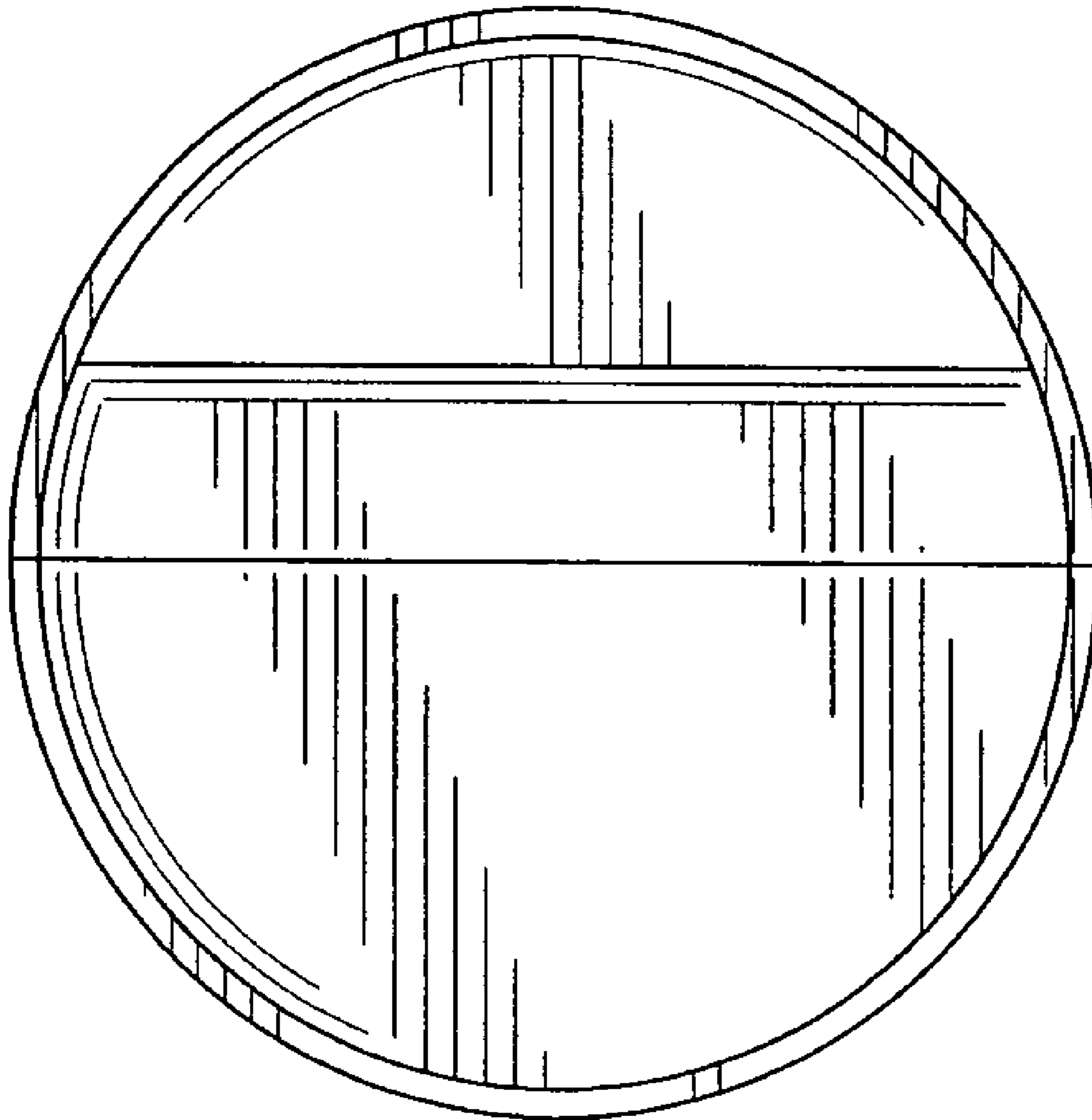


*FIG. 6*





*FIG. 7*



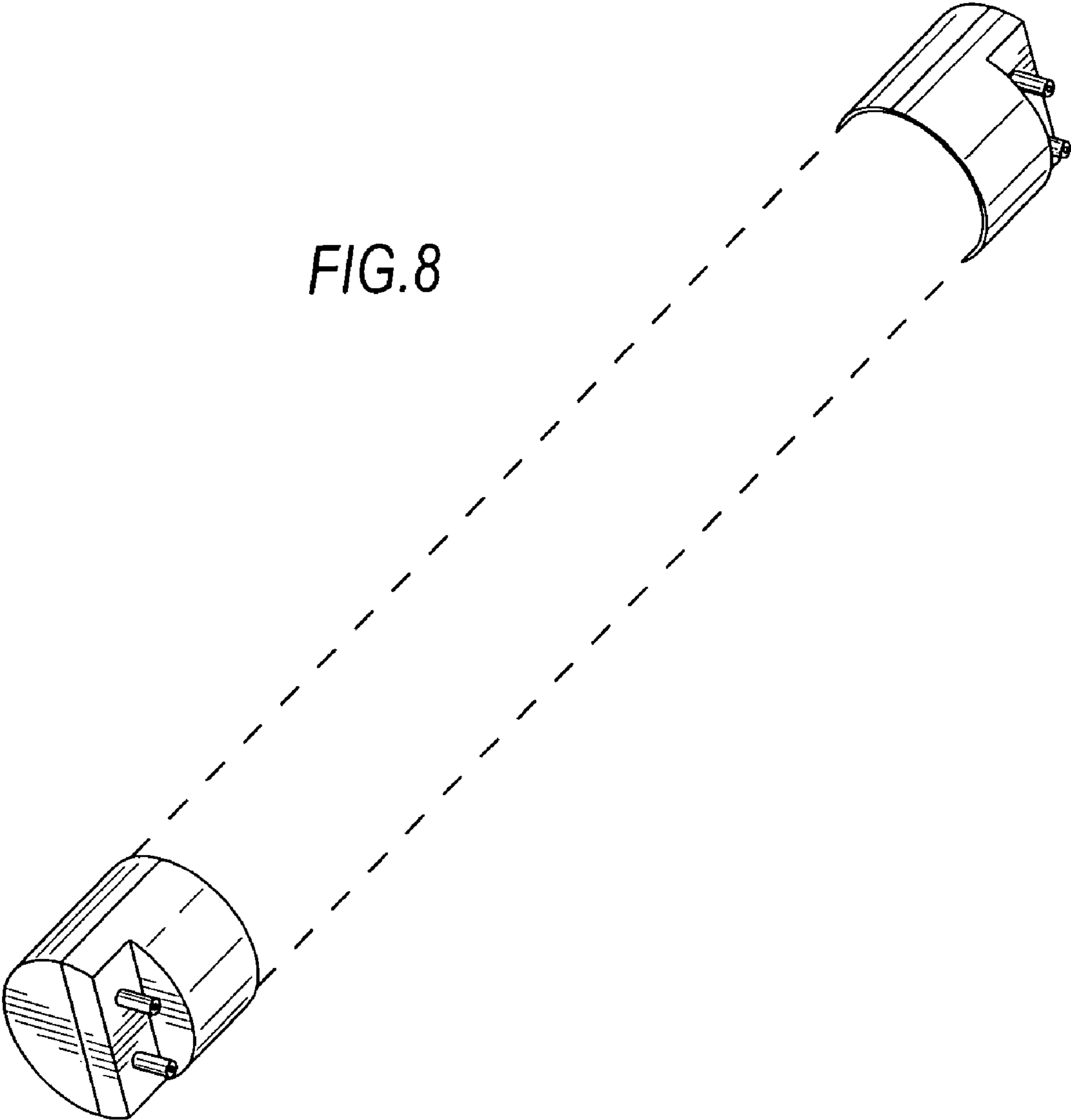


FIG. 8